



Parts Manual

Model 35D Clamp

Serial Number 35D-DFS-107

cascade[®]

For Technical Assistance call: 800-227-2233, Fax: 888-329-8207

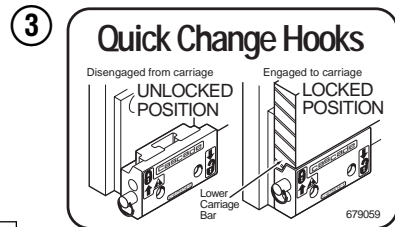
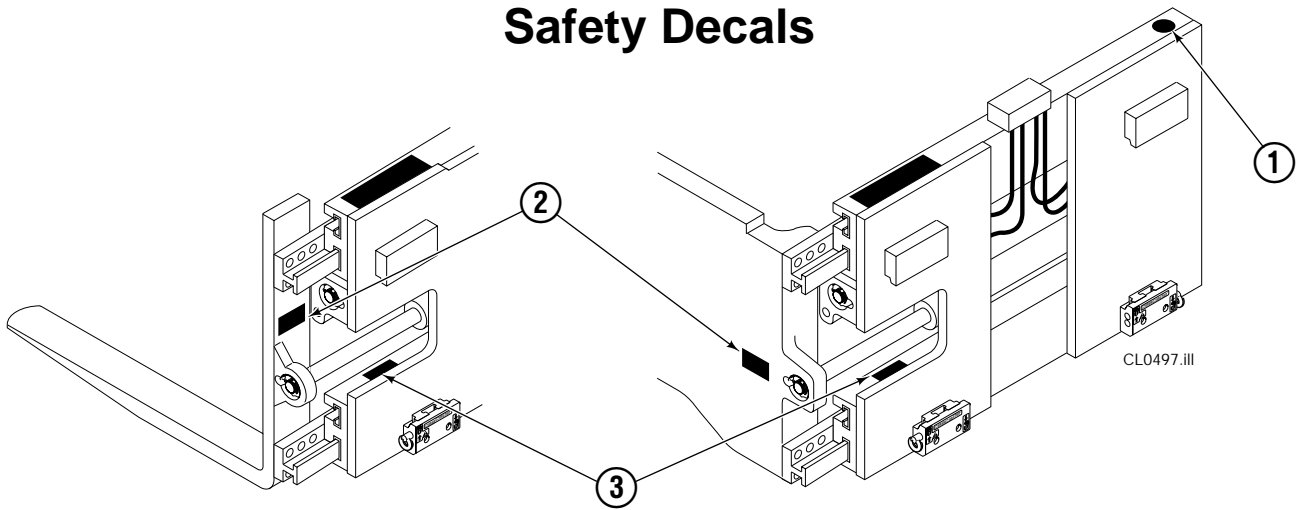
To Order Parts call: 888-227-2233, Fax: 888-329-0234

OR

Write: Cascade Corporation, P.O. Box 20187, Portland, OR 97220

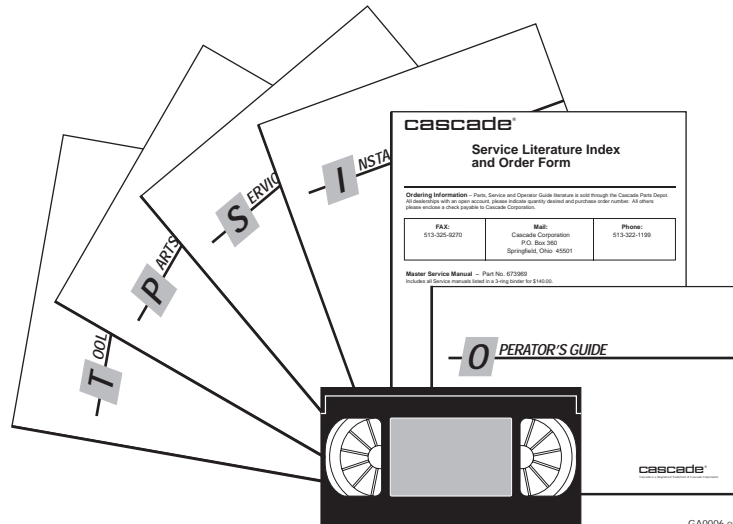
Internet: www.cascorp.com

Safety Decals



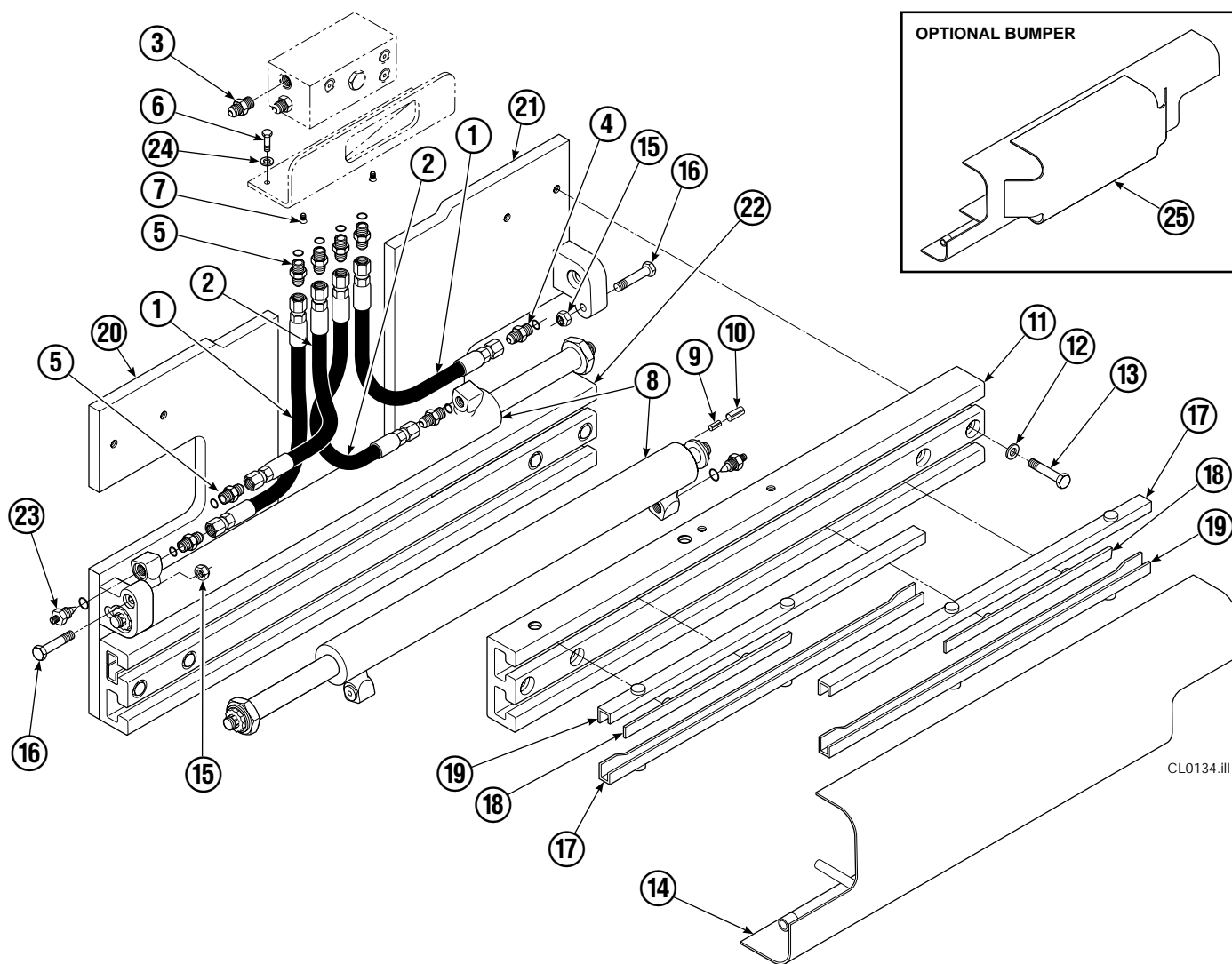
REF	QTY	PART NO.	DESCRIPTION
1	1	679150	No Step Decal
2	2	665595	No Hand Hold Decal
3	1	679059	Quick Change Hook Decal

Publications



PART NO.	DESCRIPTION
669224	Service Manual
672944	Operators Guide
668987	Installation Instructions
680664	Servicing Cascade Cylinders-VHS
679929	Tool Catalog
673964	Literature Index Order Form

Base Unit Group



CL0134.iii

35D							
REF	QTY	PART NO.	DESCRIPTION	REF	QTY	PART NO.	DESCRIPTION
		342075	Base Unit Group	13	8	667909	Capscrew
1	2	688698	Hose, 21.10 in.	14	1	667908	Bumper
2	2	676084	Hose, 16.50 in.	15	2	665707	Nut, 1/2 in. ID
3	1	601377	Fitting, 8-8	16	2	633523	Capscrew, 1/2 NC x 2.50
4	2	686369	Fitting	17	4	668910	Bearing
5	6	611288	Fitting, 6-8	18	4	667663	Bearing
6	2	671222	Capscrew, 3/8 NC x .75	19	4	668911	Bearing
7	2	4750	Capscrew, 3/8 NC x .75	20	1	342073	Mounting Plate - RH
8	2	667911	Cylinder ▲	21	1	342074	Mounting Plate - LH
9	2	7861	Roll Pin - Inner	22	1	674166	Frame - Lower
10	2	7962	Roll Pin - Outer	23	2	667609	Restrictor Cartridge ●
11	1	667904	Frame - Upper	24	2	6230	Washer
12	8	667910	Washer	25	1	671519	Optional Bumper

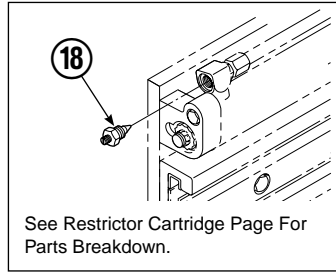
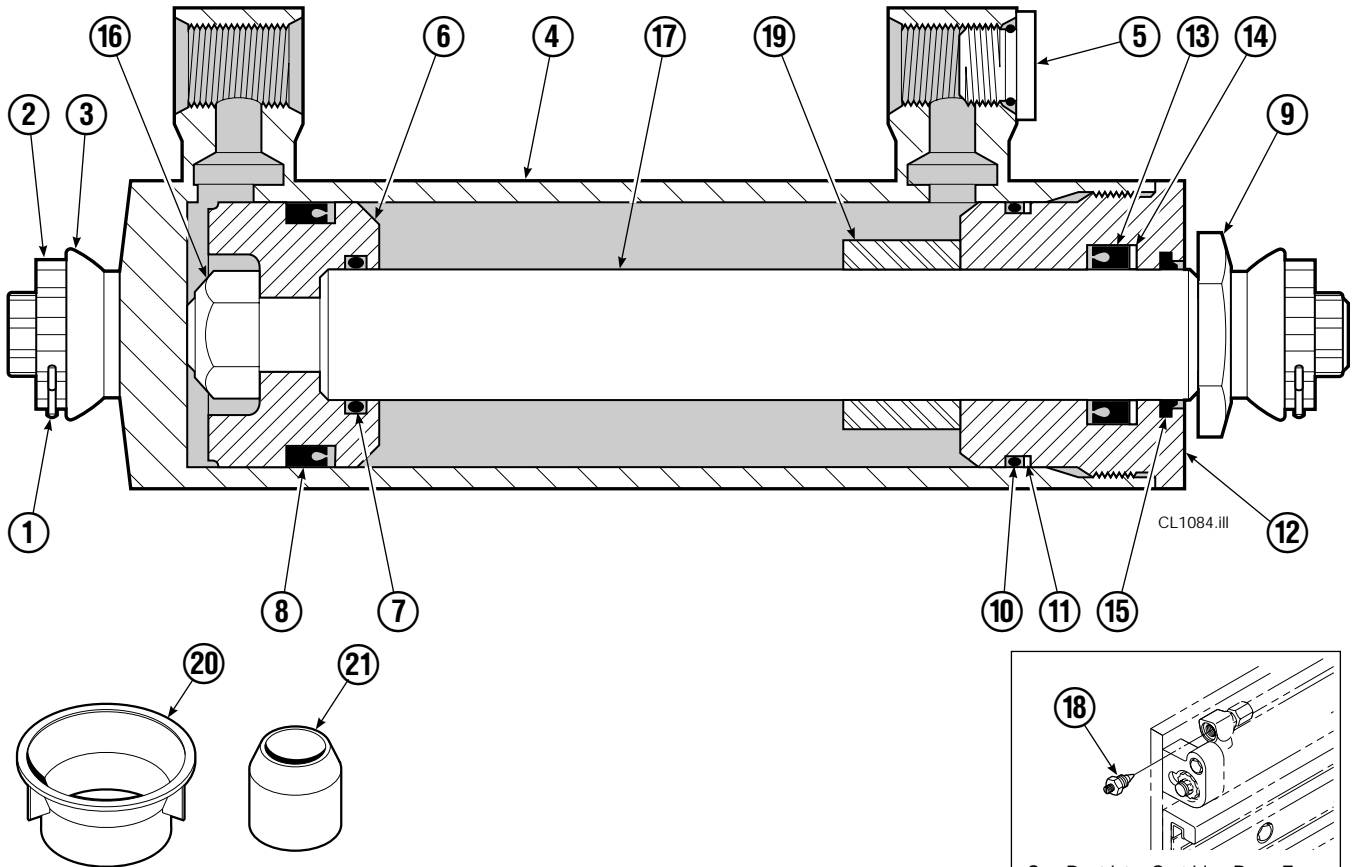
▲ See Cylinder page for parts breakdown.

● Not included in Base Unit Group.

See Restrictor Cartridge page for parts breakdown.

Reference: SK-5301, Common Parts Group 680838.

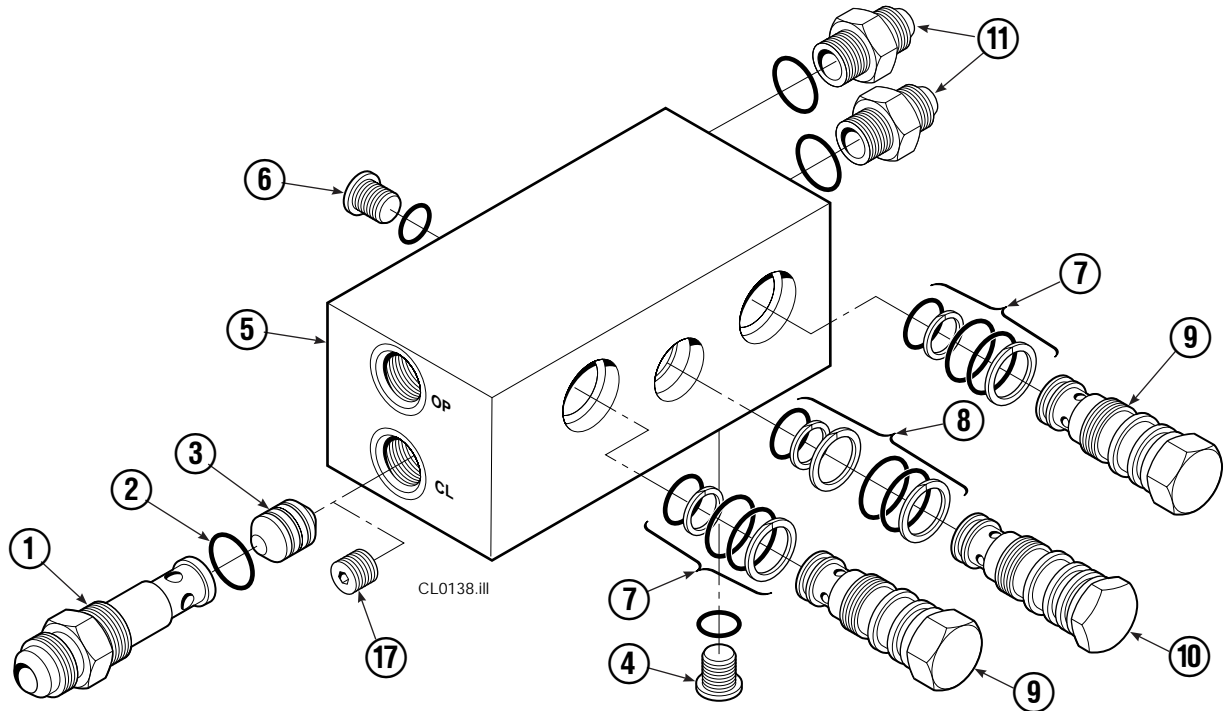
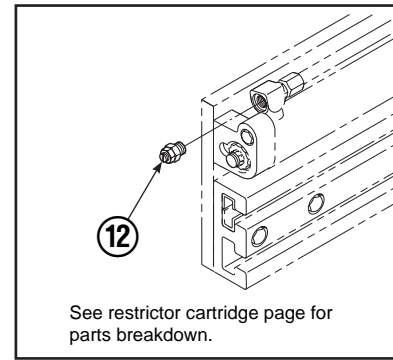
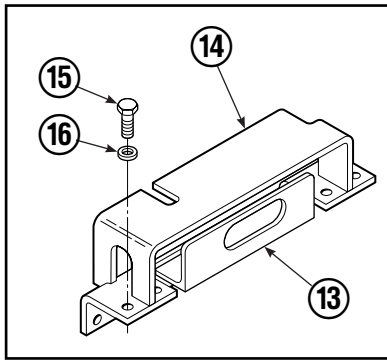
Cylinder



35D			
REF	QTY	PART NO.	DESCRIPTION
		667911	Cylinder Assembly
1	2	6510	Cotter Pin ■
2	2	667624	Nut Retainer ■
3	2	667625	Nut ■
4	1	553758	Shell
5	1	602580	Fitting
6	1	558400	Piston
7	1	2716	O-Ring ▲
8	1	662454	Seal ▲
9	1	667626	Washer
10	1	2787	O-Ring ▲
11	1	615130	Back-Up Ring ▲
12	1	667917	Retainer
13	1	662448	Seal ▲
14	1	638243	Nylon Ring ▲
15	1	636853	Wiper ▲
16	1	668031	Nut
17	1	667914	Rod
18	2	667609	Restrictor Cartridge ●
19	1	—	Spacer
20	1	671049	Seal Loader, Piston ▲
21	1	671052	Seal Loader, Retainer ▲
		667995	Service Kit

▲ Included in Service Kit 667995.
 ■ Included in Nut Service Kit 668926.
 ● Not included in Cylinder Assembly.
 Reference: S-7662.

Valve Group Sideshift



REF	QTY	PART NO.	DESCRIPTION	REF	QTY	PART NO.	DESCRIPTION
		668915	Valve Group – Sideshift	10	1	678270	Check Valve – VPO
		668865	Check Valve – Sideshift ▲	11	2	604511	Fitting, 6-6
1	1	667490	Special Fitting	12	2	667609	Restrictor Cartridge
2	1	2841	O-Ring ●	13	1	669999	Bracket
3	1	667471	Spool	14	1	670002	Guard – 25D/35D
4	3	609455	Fitting, 5	14	1	670000	Guard – 50D
5	1	668866	Valve Body	14	1	200812	Guard – 40D
6	1	604510	Fitting, 6	15	4	677828	Capscrew, 1/2 NC x 1.00
7	2	667516	Service Kit ●	16	4	667910	Washer
8	1	661347	Service Kit ●	17	1	676343	Regeneration Elimination Plug ■
9	2	659058	Check Valve – PO			668868	Service Kit

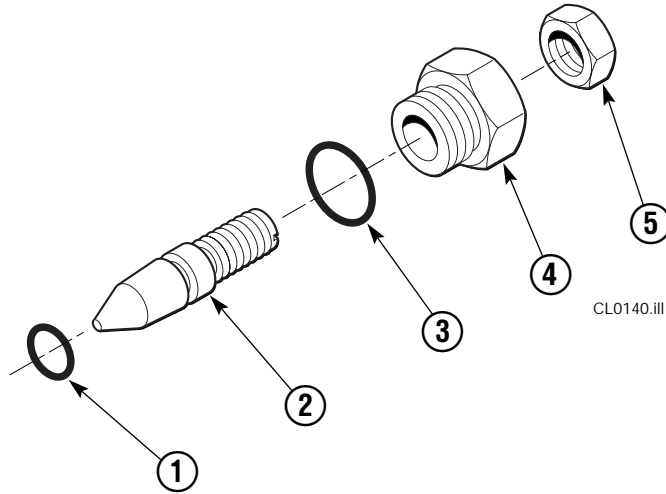
▲ Includes items 1– 10 only.

● Included in Service Kit 668868.

■ For eliminating regeneration circuit only. See Tech. Bulletin 121.

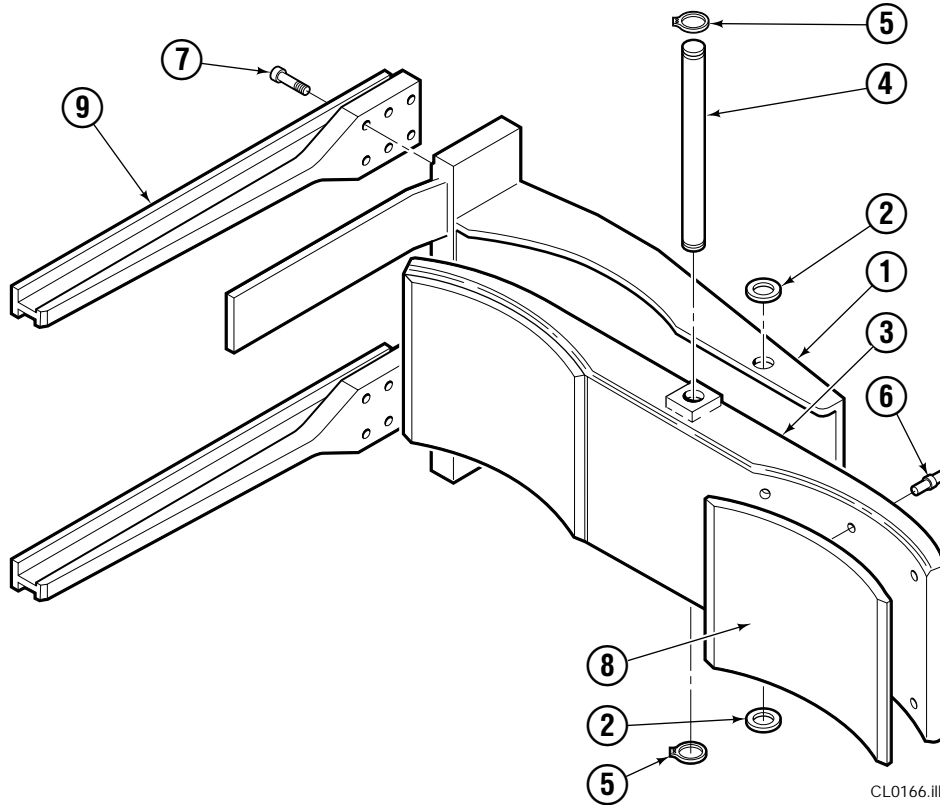
Reference: SK-5302, Valve Guard Groups 670005, 670006.

Restrictor Cartridge



REF	QTY	PART NO.	DESCRIPTION
		667609	Restrictor Cartridge
1	1	2701	O-Ring
2	1	667611	Plunger
3	1	2841	O-Ring
4	1	667610	Plug - Special
5	1	5716	Jam Nut

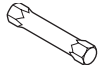
Four-Drum Arms



CL0166.iii

ARM CAPSCREW EXTENSION TOOL

Required for proper torquing of capscrews



35D/50D

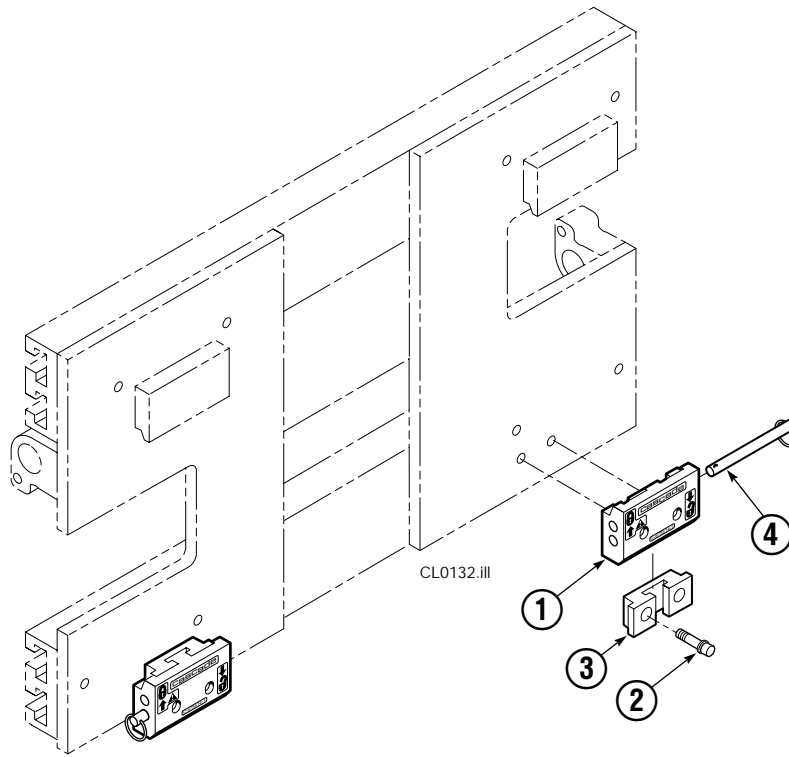
667699

35D			
REF	QTY	PART NO.	DESCRIPTION
		672924	Drum Arm Assembly ●
1	2	672936	Drum Arm
2	4	672963	Washer
3	2	672935	Equalizer
4	2	672926	Pin
5	4	7190	Retaining Ring
6	24	667843	Rivet ★
7	24	607103	Capscrew, .75 NC x 1.50 GR8
8	4	672932	Contact Pad
9	4	667905	Arm Bar

● Includes items 1 thru 8 only.

★ Steel self-plugging rivets with steel mandrels,
3/16 dia. x 3/8-1/2 grip.

Quick Change Mounting Group



Class III			
REF	QTY	PART NO.	DESCRIPTION
		678834	Lower Hook Group
1	2	675957	Hook
2	4	678943	Capscrew, 5/8 NC x 1.50
3	2	675958	Guide
4	2	678832	Pin

Reference: S-3197.

Do you have questions you need answered right now? Call your nearest Cascade Parts Department.

Cascade Corporation
2501 Sheridan Avenue
Springfield, OH 45505
Tel: 888-CASCADE (227-2233)
FAX: 888-329-0234
www.cascorp.com

Cascade Canada Inc.
5570 Timberlea Blvd.
Mississauga, Ontario
Canada L4W-4M6
Tel: 905-629-7777
FAX: 905-629-7785

Cascade GmbH
D-41199 Monchengladbach
Klosterhofweg 52
Germany
Tel: 21-66-602091
FAX: 21-66-680947

Cascade Finland
01370 Vantas
Finland
Tel: 358-0-836-1925
FAX: 358-0-836-1935

**Cascade N.V.
European Headquarters**
P.O. Box 3009
1300 El Almere
Damsluisweg 56
1332 ED Almere
The Netherlands
Tel: 31-36-5492911
FAX: 31-36-5492964

**Cascade N.V.
Benelux Sales and Service**
P.O. Box 3009
1300 El Almere
Damsluisweg 56
1332 ED Almere
The Netherlands
Tel: 31-36-5492950
FAX: 31-36-5492974

Cascade (UK) Ltd.
15, Orgreave Crescent
Dore House Industrial Estate
Handsworth
Sheffield S13 9NQ
England
Tel: 742-697524
FAX: 742-695121

**Cascade Scandinavia
Hydraulik A.B.**
Muskötgatan 19, E8-9
S25466 Helsingborg
Sweden
Tel: 42-151135
FAX: 42-152997

Cascade Norway
Østerliveien 37A
1153 Oslo
Norway
Tel: 47-22-743160
FAX: 47-22-743157

Cascade France S.A.R.L.
11, Rue Jean Charcot
Zone Industrielle Sud or
B.P. 22
91421 Morangis Cedex
France
Tel: 1- 64547501
FAX: 1-9790584

Cascade Hispania S.A.
Avenida De La Fabregada, 7
Hospitalet De Llobregat
Barcelona
Spain
Tel: 3-335-5158
FAX: 3-335-4756

Cascade Japan Ltd.
5-5-41,
Torikai Kami
Settsu, Osaka
Japan, 566
Tel: 81-726-53-3490
FAX: 81-726-53-3497

Cascade Korea
Room 508, Pum Yang Bldg.
750-14, Bang Bac-Dong
Se-Cho Ku, Seoul
Korea
Tel: 2599-7131 ext. 512
FAX: 2533-8089

HYCO-Cascade Pty. Ltd.
1445 Ipswich Road
Rocklea,
Queensland 4107
Australia
Tel: 3-274-2722
FAX: 3-274-3456

HYCO-Cascade (NZ) Ltd.
15 Ra Ora Drive, East Tamaki
P.O. Box 38-440
Howick, Auckland
New Zealand
Tel: 9-273-9136
FAX: 9-273-9137

Cascade (Africa) Pty. Ltd.
P.O. Box 625, Isando 1600
60A Steel Road
Sparton, Kempton Park
South Africa
Tel: 975-9240
FAX: 394-1147

Cascade-Xiamen
Wanshan No. 1 Workshop
Huli Road
Xiamen 361006
Fujian, PRC
Tel: 592-562-4600
FAX: 592-562-4671

**Cascade (Singapore)
Trading Co.**
Four Seasons Park
Autumn Block - Apt. 1802
12 Cascaden Walk
Singapore
Tel: 65-834-1935
FAX: 65-834-1936

