



# Parts Manual

---

Model Single-Double Pallet Handler

Serial Number 55E-FD-361

---

**cascade**<sup>®</sup>

For Technical Assistance call: 800-227-2233, Fax: 888-329-8207

To Order Parts call: 888-227-2233, Fax: 888-329-0234

OR

Write: Cascade Corporation, P.O. Box 20187, Portland, OR 97220

# Decals



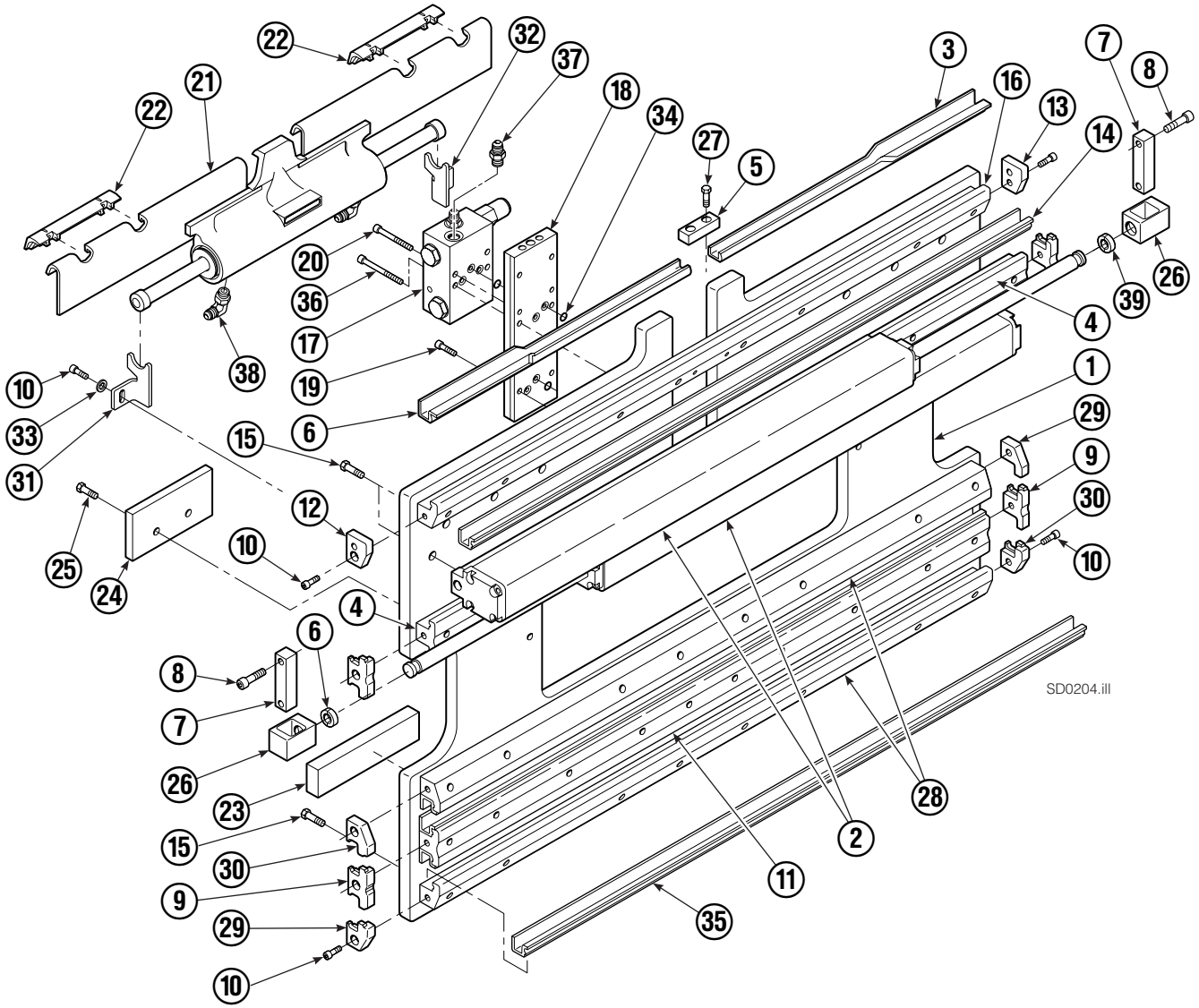
55E			
REF	QTY	PART NO.	DESCRIPTION
1	6	665595	No Hand Hold Decal
2	4	679150	No Step Decal

# Publications



55E	
PART NO.	DESCRIPTION
	Parts Manual
213580	Operator's Guide
213372	Installation Instructions
679929	Tool Catalog
673964	Literature Index Order Form

# Base Unit Group – ITA Class II



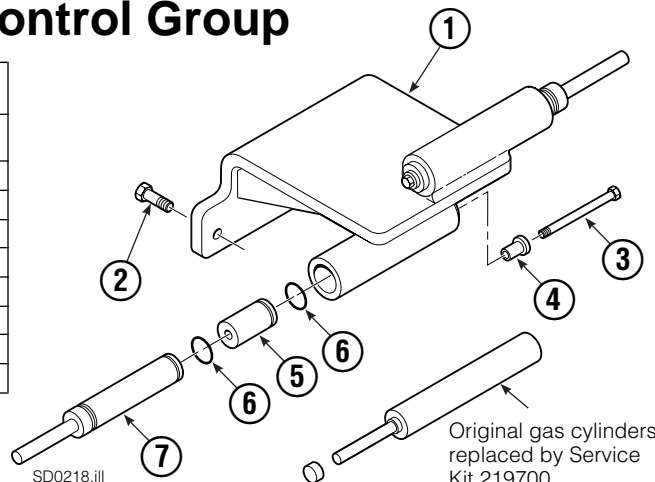
SD0204.ill

## Inner Fork Control Group

55E			
REF	QTY	PART NO.	DESCRIPTION
		214046	Inner Fork Control Group ▼
1	1	213852	Actuator Bracket
2	3	767810	Capscrew, M12 x 25
3	2	● 768523	Capscrew, M6 x 90
4	2	● 219689	Adapter
5	2	● 219688	Spacer
6	2	● 2843	O-Ring
7	2	● 219703	Gas Cylinder

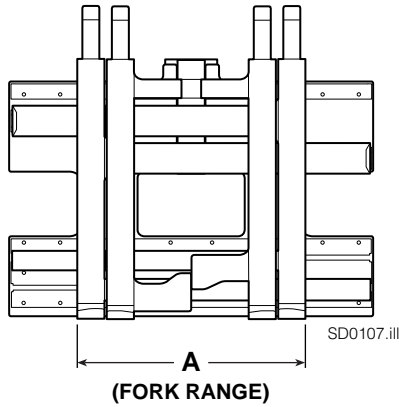
▼ Included in Base Unit Group 212549. No longer available.  
Original gas cylinders replaced by Service Kit 219700.

● Included in Service Kit 219700.



SD0218.ill

# Base Unit Group – ITA Class II



**NOTE:** Position the outer forks to minimum width and measure **A** to determine minimum outer fork outside to outside (OTO) range.

55E					
		DIMENSION – A			
		MINIMUM OTO FORK RANGE			
		26 in. (660 mm)	27.5 in. (700 mm)	31.9 in. (810 mm)	
REF	QTY	PART NO.	PART NO.	PART NO.	DESCRIPTION
		<b>214640</b>	214643▼	214645	Base Unit Group – Class II
1	1	212422	214045	212430	Baseplate
2	2	214620	214622	214624	Frame Cylinder ★
3	1	4786-0488	4786-0468	4786-0413	Bearing Segment – LH
4	2	214628	214629	214629	T-Bar – Upper
5	1	212722	212723	212724	Fork Stop
6	1	4787-0488	4787-0468	4787-0413	Bearing Segment – RH

▼ Includes Inner Fork Control Group 214046.

## Common Parts

REF	QTY	PART NO.	DESCRIPTION	REF	QTY	PART NO.	DESCRIPTION
7	2	210489	Rod End Anchor ■	24	2	212709	Spacer Block
8	4	768303	Capscrew, M10 x 35 ■	25	4	767615	Capscrew, M10 x 25
9	4	210140	Bearing Retainer	26	2	209741	Rod End ■
10	12	787375	Capscrew, M8 x 20 GR 8.8	27	2	684649	Capscrew, M10 x 25
11	1	214631	T-Bar – Lower	28	2	214633	T-Bar – Lower
12	1	211380	Retainer/Stop – RH	29	2	212585	Bearing Retainer
13	1	211379	Retainer/Stop – LH	30	2	212586	Bearing Retainer
14	4	4730-1050	Bearing Segment	31	1	213737	Bracket – RH
15	50	211689	Capscrew, M12 x 30 GR 10.9	32	1	213736	Bracket – LH
16	1	214635	T-Bar – Upper	33	2	787398	Washer, M8
17	1	216835	Valve Assembly ▲	34	7	214053	O-Ring
18	1	211455	Manifold	35	4	4730-1040	Bearing Segment
19	6	768208	Capscrew, M8 x 25	36	2	768802	Capscrew, M8 x 70
20	2	768800	Capscrew, M8 x 60	37	2	604511	Fitting, 6-6 ◆
21	1	205842	Sideshift Cylinder ●	38	2	601676	Fitting, 6-6 ◆
22	2	204187	Upper Bearing	39	4	210490	Retainer Half Ring ■
23	2	208350	Lower Bearing				

★ See Frame Cylinder page for parts breakdown.

▲ See Valve Assembly – Class II page for parts breakdown.

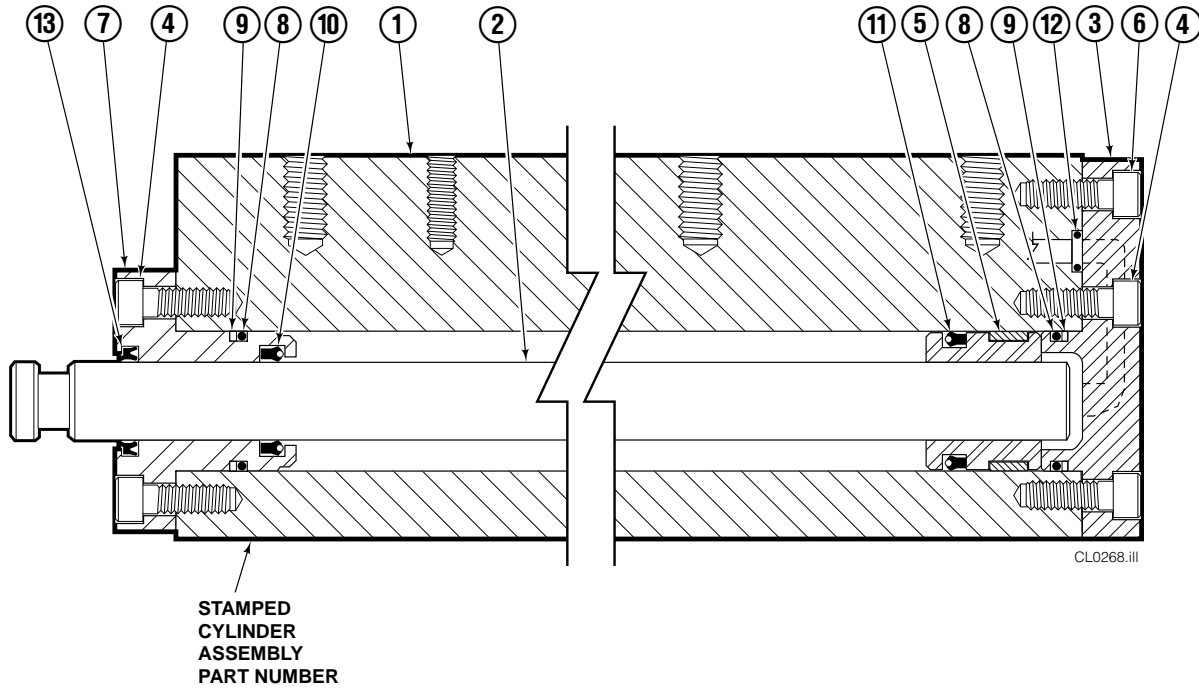
■ Included in Cylinder Rod Anchor Kit 213856.

● See Sideshift Cylinder page for parts breakdown.

◆ Included in Fitting Group 213099.

Reference: SK-6285.

# Frame Cylinder

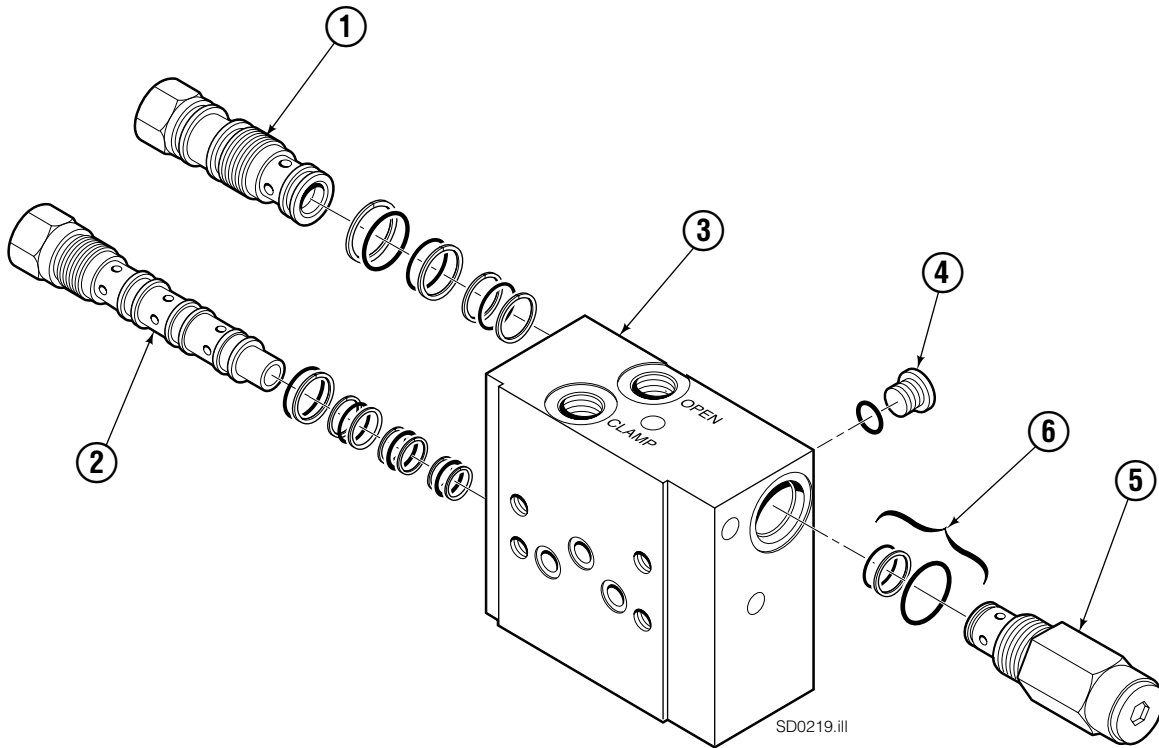


55E			
REF	QTY	PART NO.	DESCRIPTION
		214620	Cylinder Assembly
1	1	214621	Cylinder/Shell
2	1	4157-805	Rod
3	1	213783	End Cap
4	8	768208	Capscrew, M8 x 25
5	1	209809	Bearing ▲
6	1	787375	Capscrew, M8 x 20
7	1	212452	Retainer
8	3	643379	O-Ring ▲
9	2	210050	Back-Up Ring ▲
10	1	212477	Seal ▲
11	1	209808	Seal ▲
12	2	214053	O-Ring ▲
13	1	562131	Wiper ▲
		210090	Service Kit

▲ Included in Service Kit 210090.

Reference: S-4643, S-4644.

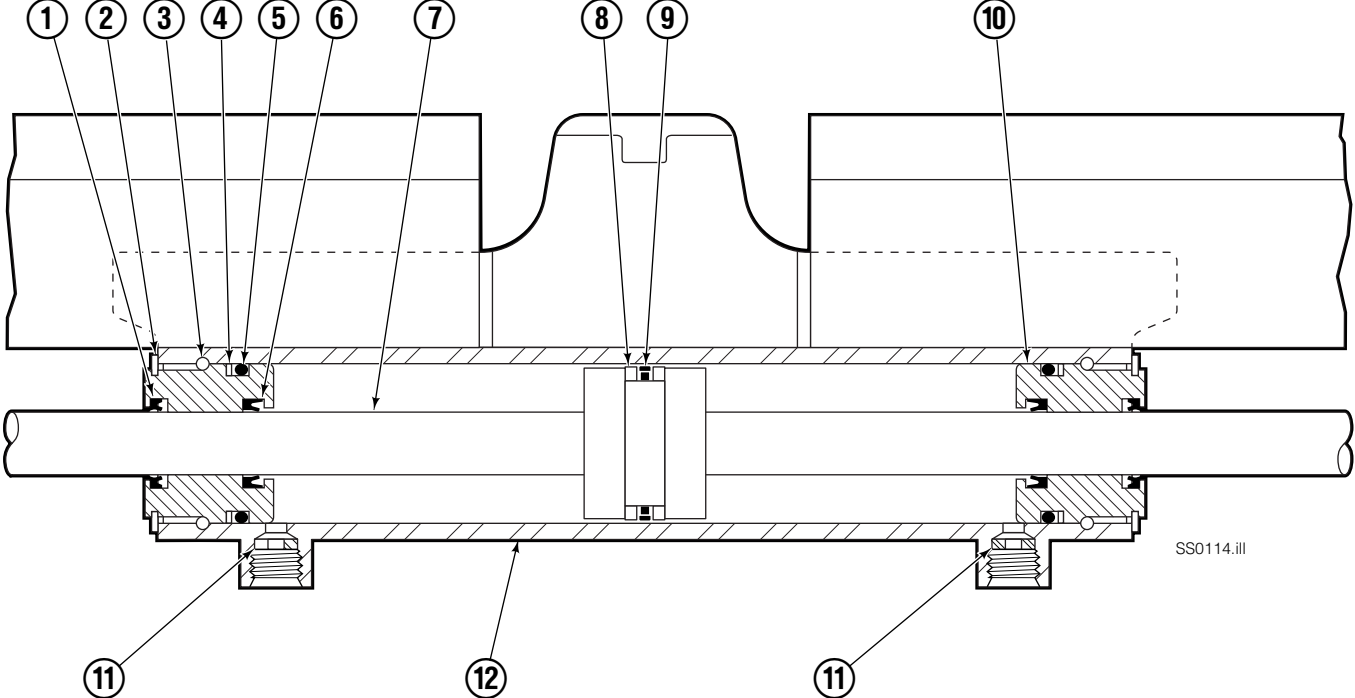
# Valve ITA Class II



Used on Standard Product I.D. Numbers  
55E-FD-093 thru 421.

55E			
REF	QTY	PART NO.	DESCRIPTION
		216835	Valve Assembly
1	1	219039	Check Valve
2	1	219040	Flow Divider/Combiner
3	1	216836	Valve Body
4	1	609234	Plug
5	1	213535	Crossover Relief Valve
6	1	682170	Service Kit

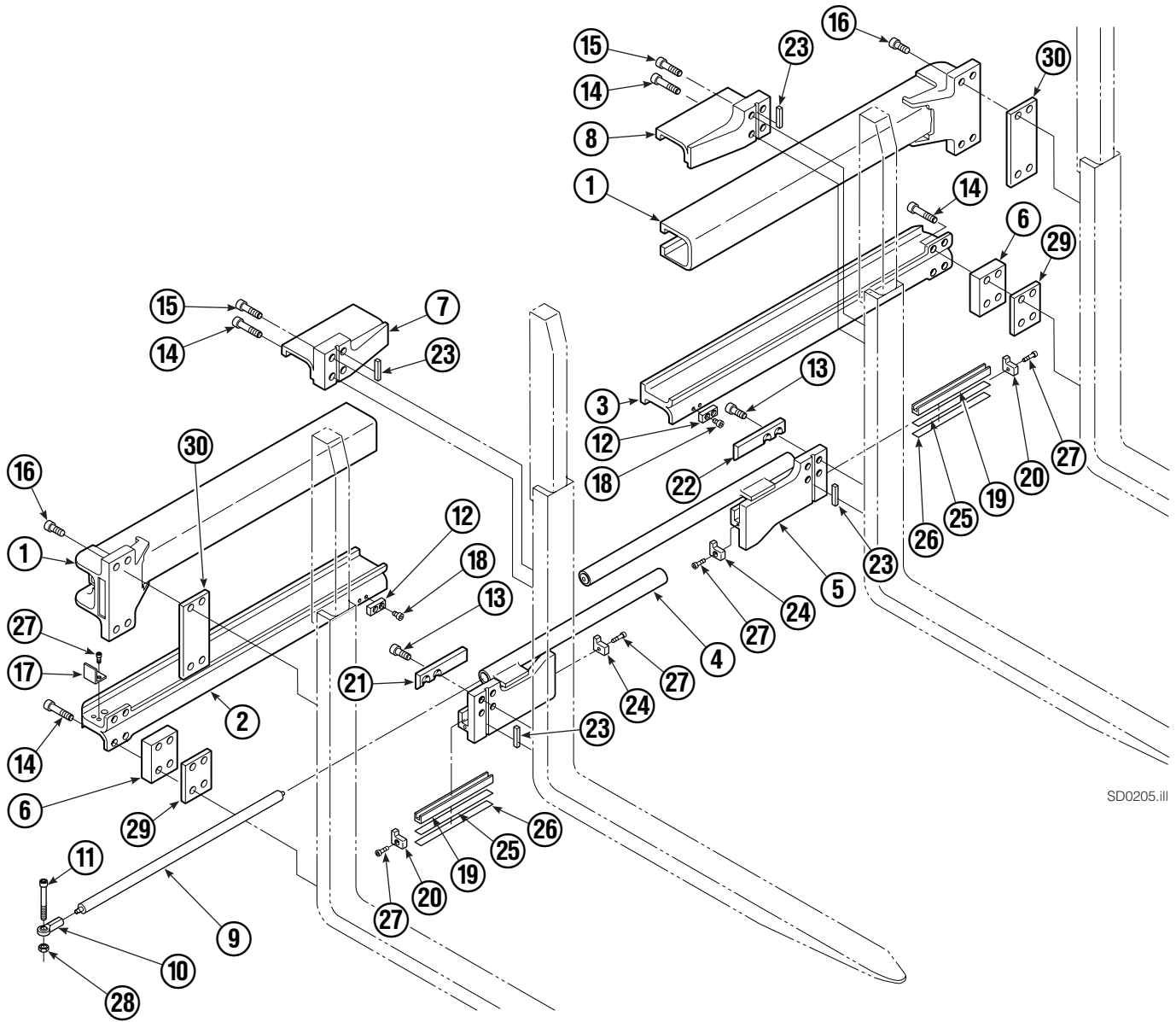
# Sideshift Cylinder ITA Class II



<b>55E</b>			
REF	QTY	PART NO.	DESCRIPTION
		205842	Cylinder Assembly
● 1	2	562131	Wiper Seal
2	2	562951	Snap Ring
3	2	562942	Retaining Ring
● 4	2	563388	Back-Up Ring
● 5	2	562127	O-Ring
● 6	2	562132	Rod Seal
7	1	562055	Rod
● 8	2	563278	Bearing Ring
● 9	1	564141	Piston Seal
10	2	562792	Retainer
11	2	205369	Speed Control Washer
12	-	■	Cylinder Shell
		563487	Service Kit

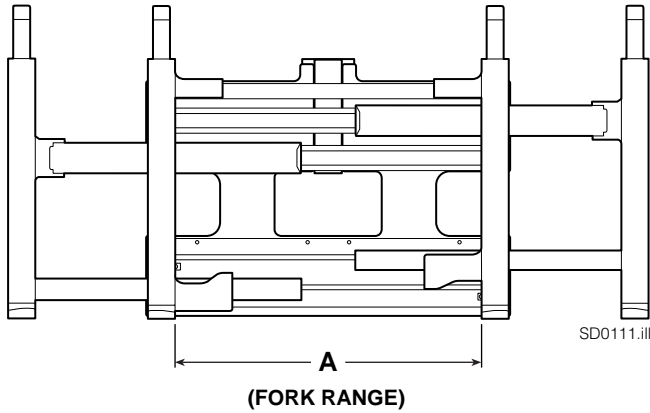
- Included in Service Kit 563487.
- Not serviceable, order new cylinder assembly.

# Arm Group



SD0205.iii

# Arm Group



**NOTE:** Position the inner forks to maximum width and measure **A** to determine maximum inner fork inside to inside (ITI) range.

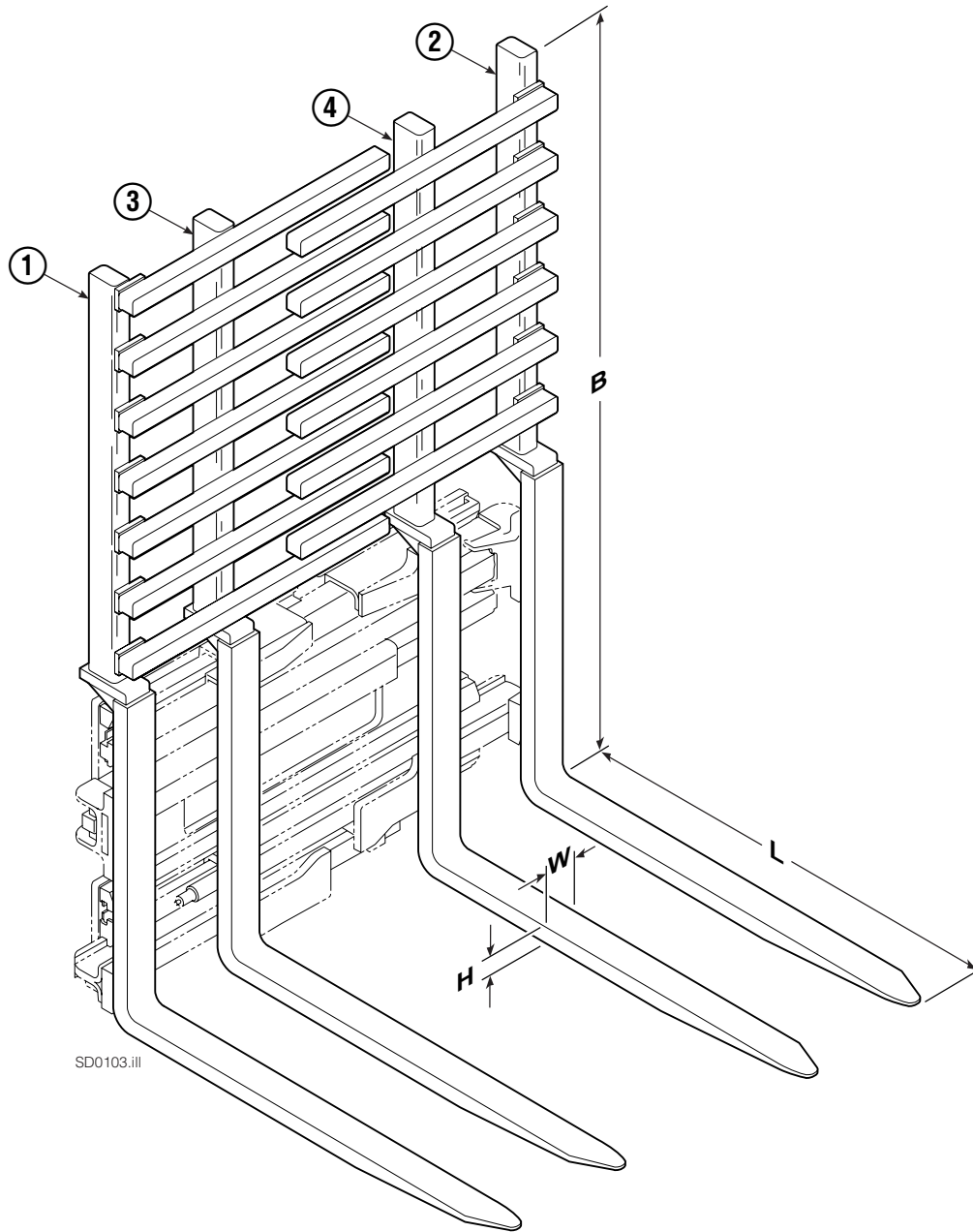
<b>55E</b>						
		<b>DIMENSION – A MAXIMUM ITI FORK RANGE</b>				
		<b>28 in. (720 mm)</b>	<b>28.5 in. (730 mm)</b>	<b>31 in. (790 mm)</b>	<b>32 in. (820 mm)</b>	
<b>REF</b>	<b>QTY</b>	<b>PART NO.</b>	<b>PART NO.</b>	<b>PART NO.</b>	<b>PART NO.</b>	<b>DESCRIPTION</b>
		218372	218375	218376	<b>218373</b>	Arm Group
1	2	4316-0799	4316-0819	4316-0874	4316-0799	Upper Arm Bar
2	1	216728	216732	216734	216726	Lower Arm Bar – RH
3	1	216727	216731	216733	216725	Lower Arm Bar – LH
4	1	217341	218330	218336	217341	Lower Hook – RH
5	1	217338	218333	218339	217338	Lower Hook – LH

## Common Parts

REF	QTY	PART NO.	DESCRIPTION	REF	QTY	PART NO.	DESCRIPTION
6	2	210587	Spacer	19	2	4501-0222	Bearing Segment
7	1	211384	Upper Hook – RH	20	2	212979	Bearing Retainer
8	1	211383	Upper Hook – LH	21	1	212682	Bearing – RH
9	2	212683	Gas Spring	22	1	213899	Bearing – LH
10	2	216462	Rod End	23	4	213364	Key
11	2	216463	Capscrew, M10 x 60	24	2	213360	Bearing Retainer
12	2	212687	Lower Fork Stop	25	4	212559	Shim, .04 in. (.1 mm)
13	8	769574	Capscrew, M16 x 35	26	4	213913	Shim, .020 in. (.5 mm)
14	12	769578	Capscrew, M16 x 60	27	8	787375	Capscrew, M8 x 20
15	4	769577	Capscrew, M16 x 50	28	2	209152	Nut, M10
16	8	769573	Capscrew, M16 x 30	29	4	797610	Spacer
17	2	213022	Guard	30	4	797611	Spacer
18	4	214414	Capscrew, M10 x 12				

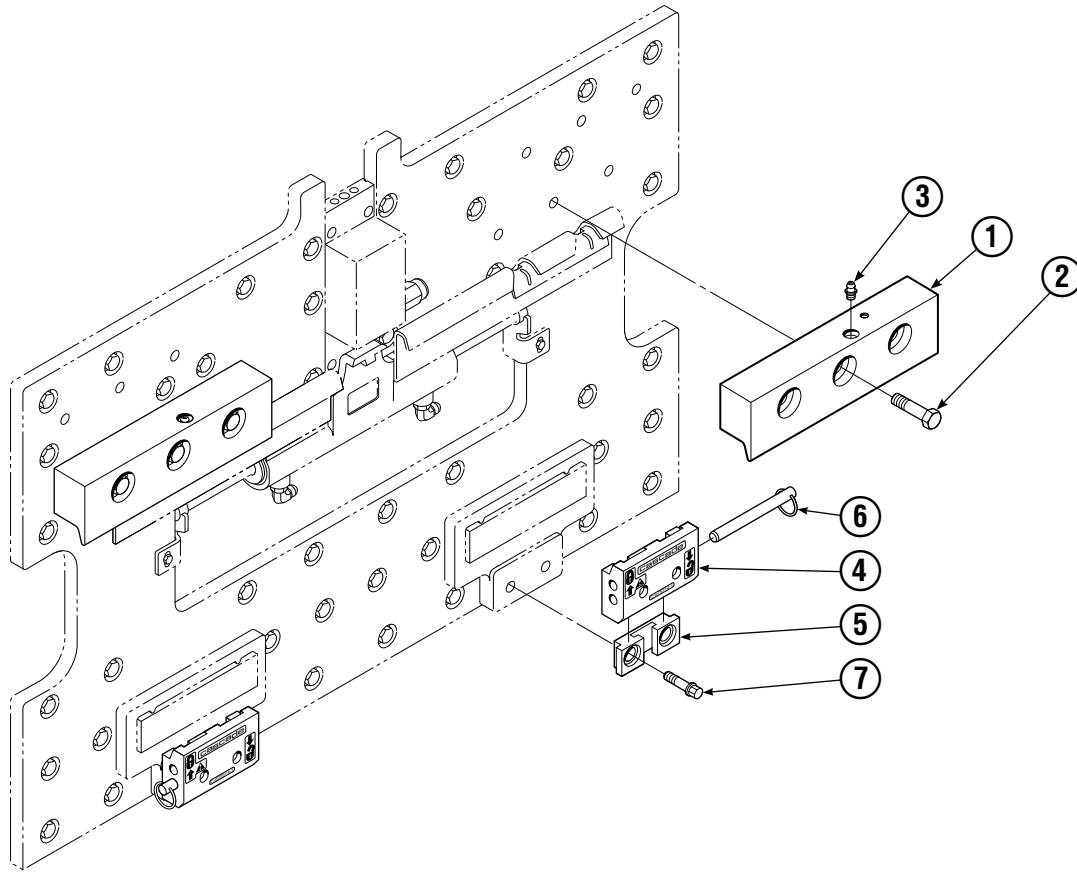
Reference: SK-6116 and 6131. Common Parts Group 216738.

# Interlocking Backrest/Fork Group



55E								
SIZE (IN.)				FORK GROUP PART NO.	REF 1	REF 2	REF 3	REF 4
L	W	H	B		Outer Fork-RH	Outer Fork-LH	Inner Fork-RH	Inner Fork-LH
40	3.2	1.8	60	3000143	3000449	3000448	393338	393336

# Mounting Group ITA Class II



SD0104.ill

55E			
REF	QTY	ITA II	DESCRIPTION
		PART NO.	
		212569	Upper Hook Group ▲
		683179	Lower Hook Group ★
1	2	210591	Upper Hook
2	6	751511	Capscrew, M16x55
3	2	7403	Grease Fitting
4	2	675514	Lower Hook
5	2	675515	Guide
6	2	678832	Pin
7	4	683182	Capscrew

▲ Includes items 1, & 2.

★ Includes items 4, 5, 6, & 7.

Reference: SK-6116.

# Recommended Spare Parts List

55E Single-Double Pallet Handler					
PART NUMBER		DESCRIPTION	ATTACHMENTS SERVICED		
CLASS II	CLASS III		1-5	6-15	16-50
		<b>BASE UNIT GROUP</b>			
204187	672018	Upper Sideshifting Bearing	2	4	8
208350	208350	Lower Sideshifting Bearing	2	4	6
211689	211689	Capscrew	4	8	8
213856	213856	Cylinder Rod Kit	1	1	2
213605	213605	Manifold Seal Kit	0	1	2
		<b>ARM GROUP</b>			
213854	213854	Lower Inner Fork Bearing Kit	1	2	4
769578	769578	Capscrew – Outer Fork	4	4	8
769573	769573	Capscrew – Outer Fork	4	4	8
769574	769574	Capscrew – Inner Fork	4	4	8
769577	769577	Capscrew – Inner Fork	4	4	8
213855	213855	Gas Spring Kit	2	4	6
		<b>FRAME CYLINDER</b>			
■	■	Cylinder	0	1	2
■	■	Cylinder/Shell	0	2	2
209801	213783	End Cap	0	2	2
212452	212452	Retainer	2	4	4
210090	210090	Cylinder Service Kit	1	2	4
		<b>SIDESHIFT CYLINDER</b>			
205842	675548	Cylinder	0	0	1
■	675549	Shell	0	1	2
–	553501	Piston	0	1	2
562792	553500	Retainer	0	1	2
563487	553861	Cylinder Service Kit	1	1	2
		<b>HYDRAULICS</b>			
212567	216838	Valve Assembly	0	0	1
213604		Valve Service Kit	1	2	2
209847	219039	Check Valve	1	1	2
682170		Check Valve Service Kit	1	1	2
213535	213535	Crossover Relief Valve	1	1	1
682170	682170	Crossover Relief Valve Service Kit	1	1	2
210266	219040	Flow Divider Cartridge	1	1	1
679992		Flow Divider Service Kit	1	1	2
		<b>MOUNTING GROUP</b>			
210591	–	Upper Hook	2	4	6
–	211375	Upper Hook – RH	1	2	3
–	210592	Upper Hook – LH	1	2	3
675514	675969	Lower Hook	2	4	6
		<b>PAINT</b>			
212988	212988	Gray	1	1	1
		<b>PUBLICATIONS</b>			
214269		Parts Manual	1	1	1
213580	213580	Operator's Guide	1	1	1
213372	213372	Installation Instruction	1	1	1
679929	679929	Tool Catalog	1	1	1
673964	673964	Literature Index Order Form	1	1	1

■ See specific parts page for part number.

**Do you have questions you need answered right now?** Call your nearest Cascade Parts Department.

**Cascade Corporation**  
2501 Sheridan Avenue  
Springfield, OH 45505  
Tel: 888-CASCADE (227-2233)  
FAX: 888-329-0234

**Cascade Canada Inc.**  
5570 Timberlea Blvd.  
Mississauga, Ontario  
Canada L4W-4M6  
Tel: 905-629-7777  
FAX: 905-629-7785

**Cascade GmbH**  
D-41 199 Monchengladbach  
Klosterhofweg 52  
Germany  
Tel: 21-66-602091  
FAX: 21-66-680947

**Cascade Finland**  
01370 Vantas  
Finland  
Tel: 358-0-836-1925  
FAX: 358-0-836-1935

**Cascade N.V.  
European Headquarters**  
P.O. Box 3009  
1300 El Almere  
Damsluisweg 56  
1332 ED Almere  
The Netherlands  
Tel: 31-36-5492911  
FAX: 31-36-5492964

**Cascade N.V.  
Benelux Sales and Service**  
P.O. Box 3009  
1300 El Almere  
Damsluisweg 56  
1332 ED Almere  
The Netherlands  
Tel: 31-36-5492950  
FAX: 31-36-5492974

**Cascade (UK) Ltd.**  
15, Orgreave Crescent  
Dore House Industrial Estate  
Handsworth  
Sheffield S13 9NQ  
England  
Tel: 742-697524  
FAX: 742-695121

**Cascade Scandinavia  
Hydraulik A.B.**  
Muskötgatan 19, E8-9  
S25466 Helsingborg  
Sweden  
Tel: 42-151135  
FAX: 42-152997

**Cascade Norway**  
Østerliveien 37A  
1153 Oslo  
Norway  
Tel: 47-22-743160  
FAX: 47-22-743157

**Cascade France S.A.R.L.**  
11, Rue Jean Charcot  
Zone Industrielle Sud or  
B.P. 22  
91421 Morangis Cedex  
France  
Tel: 1- 64547501  
FAX: 1-9790584

**Cascade Hispania S.A.**  
Avenida De La Fabregada, 7  
Hospitalet De Llobregat  
Barcelona  
Spain  
Tel: 3-335-5158  
FAX: 3-335-4756

**Cascade Japan Ltd.**  
5-5-41,  
Torikai Kami  
Settsu, Osaka  
Japan, 566  
Tel: 81-726-53-3490  
FAX: 81-726-53-3497

**Cascade Korea**  
Room 508, Pum Yang Bldg.  
750-14, Bang Bac-Dong  
Se-Cho Ku, Seoul  
Korea  
Tel: 2599-7131 ext. 512  
FAX: 2533-8089

**HYCO-Cascade Pty. Ltd.**  
1445 Ipswich Road  
Rocklea,  
Queensland 4107  
Australia  
Tel: 3-274-2722  
FAX: 3-274-3456

**HYCO-Cascade (NZ) Ltd.**  
15 Ra Ora Drive, East Tamaki  
P.O. Box 38-440  
Howick, Auckland  
New Zealand  
Tel: 9-273-9136  
FAX: 9-273-9137

**Cascade (Africa) Pty. Ltd.**  
P.O. Box 625, Isando 1600  
60A Steel Road  
Sparton, Kempton Park  
South Africa  
Tel: 975-9240  
FAX: 394-1147

**Cascade-Xiamen**  
Wanshan No. 1 Workshop  
Huli Road  
Xiamen 361006  
Fujian, PRC  
Tel: 592-562-4600  
FAX: 592-562-4671

**Cascade (Singapore)  
Trading Co.**  
Four Seasons Park  
Autumn Block - Apt. 1802  
12 Cascaden Walk  
Singapore  
Tel: 65-834-1935  
FAX: 65-834-1936

