



Parts Manual

Model _____ Rotator _____

Catalog Number _____ 55G-RRB-24B R5 _____

cascade®
corporation

For Technical Assistance call: 800-227-2233, Fax: 888-329-8207

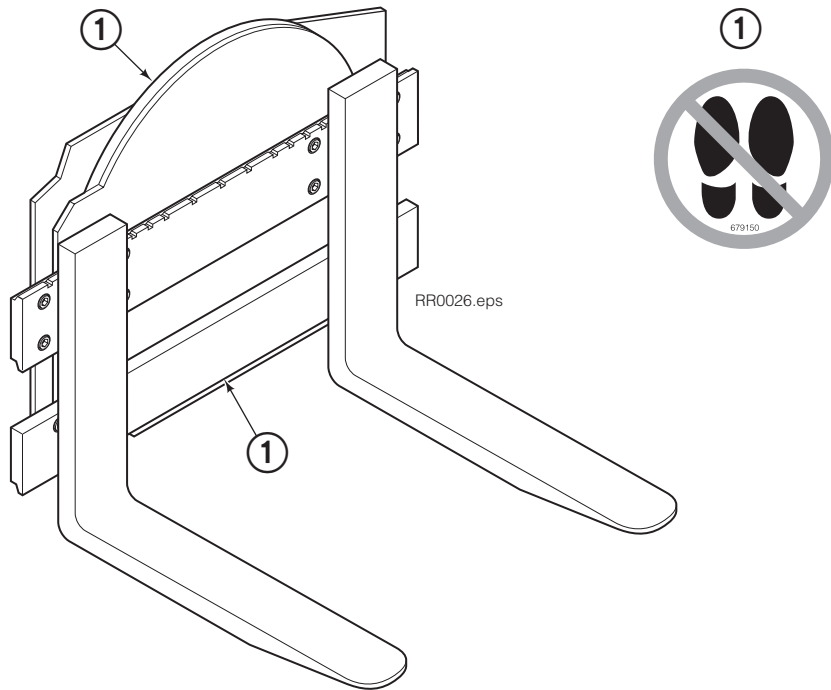
To Order Parts call: 888-227-2233, Fax: 888-329-0234

OR

Write: Cascade Corporation, P.O. Box 20187, Portland, OR 97220

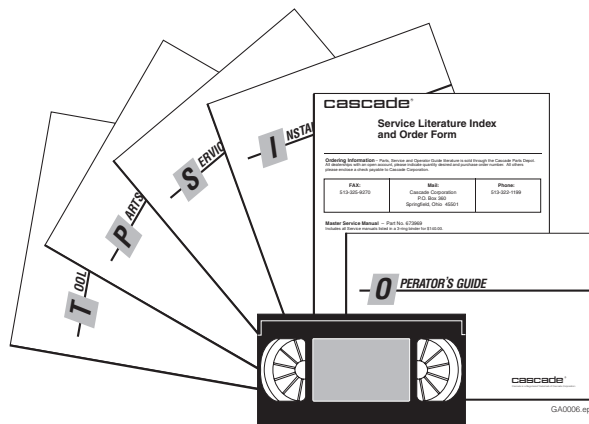
Internet: www.cascorp.com

Safety Decals



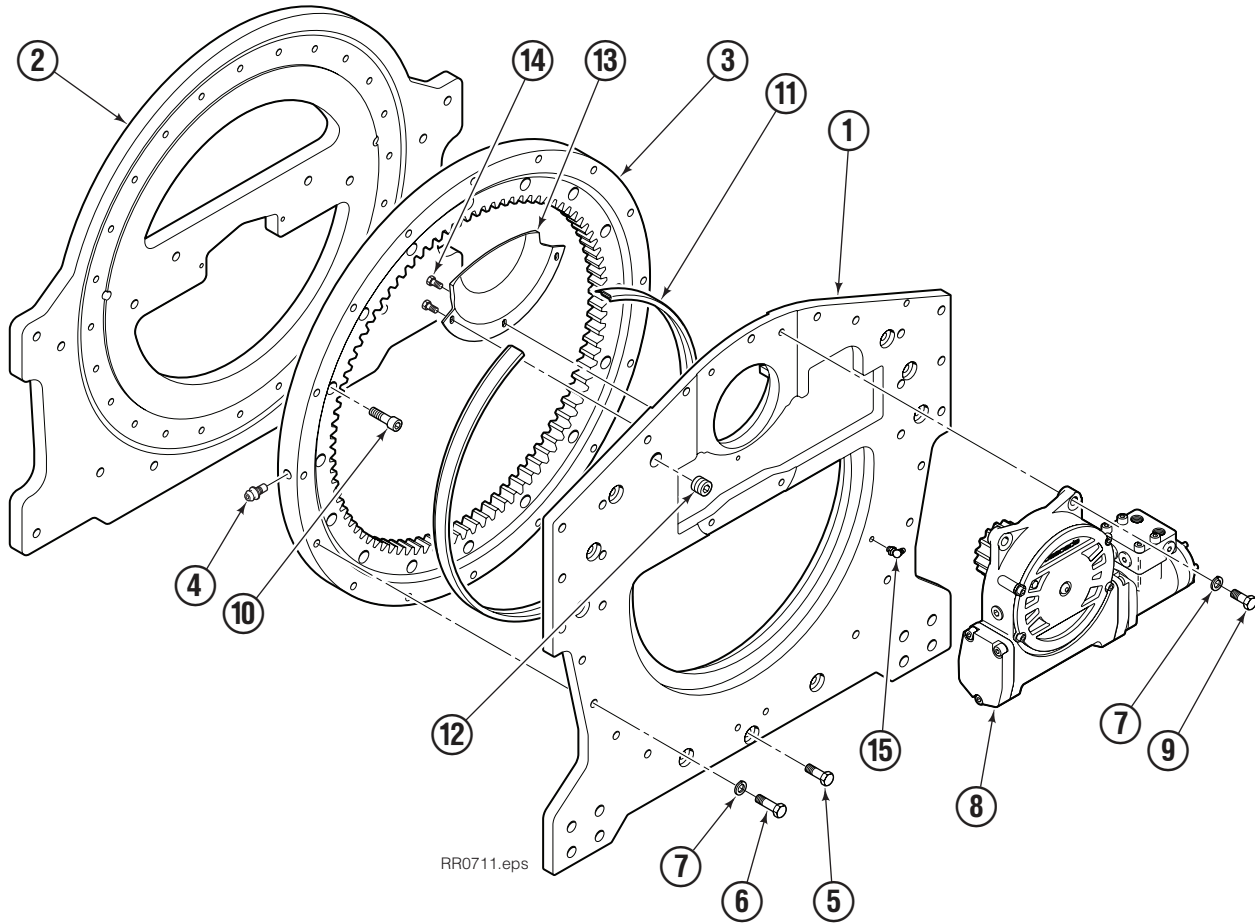
G Rotator			
REF	QTY	PART NO.	DESCRIPTION
1	1	679150	No Step Decal

Publications



G Rotator	
6073002	Installation Instructions
672714	Operator Guide
6073955	Service Manual
679929	Tool Catalog
673964	Literature Index Order Form

Rotator Group



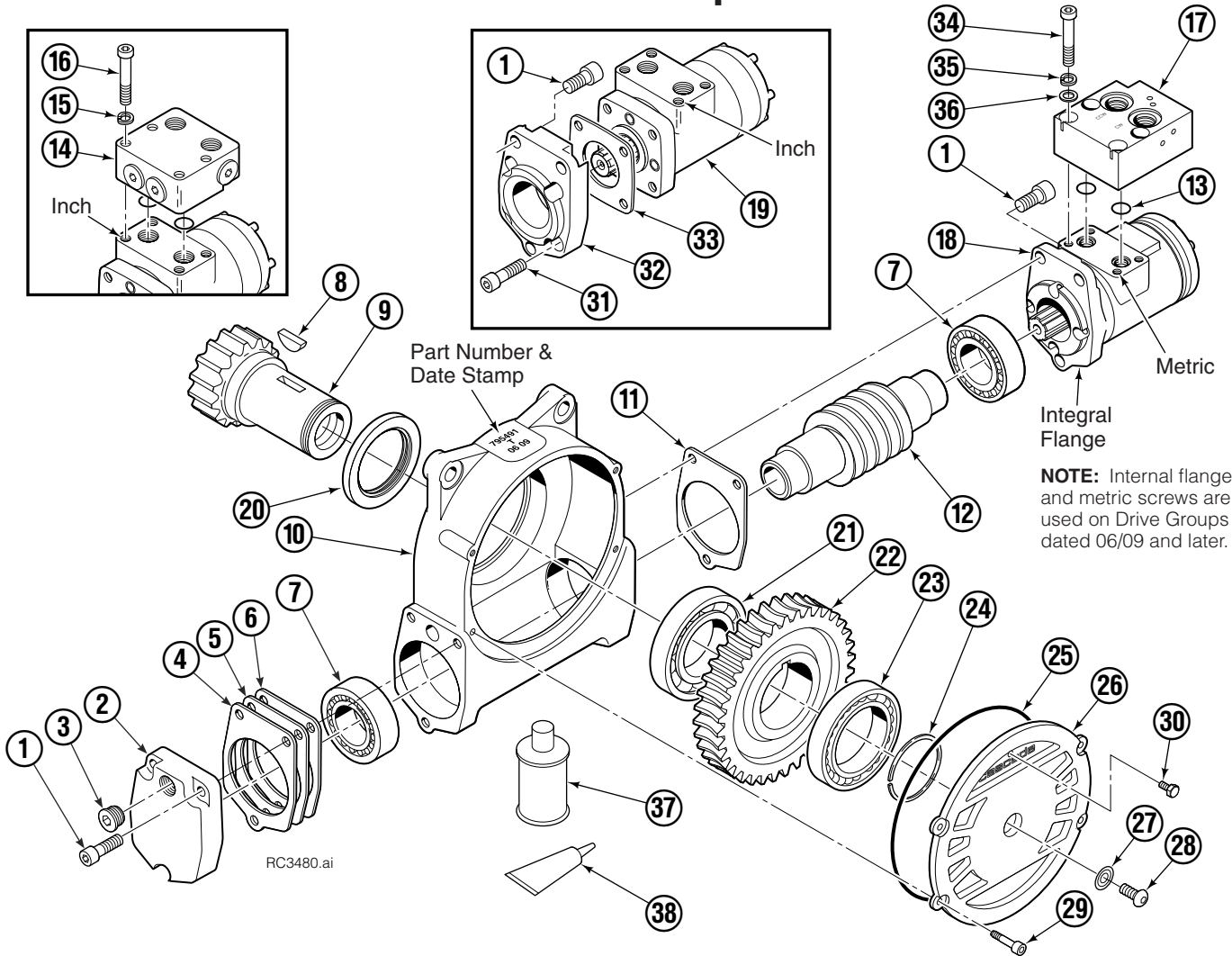
RR0711.eps

55G			
REF	QTY	PART NO.	DESCRIPTION
		6052600	Rotator Group (R6)
1	1	6059682	Baseplate
2	1	6050782	Faceplate
3	1	213761	Bearing Assembly
4	1	7401	Grease Fitting
5	9	6057357	Capscrew, M12 x 45
6	13	213633	Capscrew, M12 x 55
7	17	683822	Lockwasher, M12
8	1	368073	Drive Group ♦
9	4	763021	Capscrew, M12 x 30
10	24	769572	Capscrew, M12 x 35
11	1	6080266	Seal
12	1	6605	Plug
13	1	6077615	Cover Plate
14	3	767961	Capscrew, M8 x 16
15	1	7406	Grease Fitting

♦ See Drive Group page for parts breakdown.

Reference: Common Parts 6059824-R6, Fastener Kit 6057411.

Drive Group



REF	QTY	PART NO.	DESCRIPTION	REF	QTY	PART NO.	DESCRIPTION
		368073	Drive Group with 2.2 c.i. Motor	20	1	3014870	Seal
1	6	769570	Capscrew, M12 x 25	21	1	6033892	Bearing ★
2	1	676855	Cover	22	1	675609	Worm Gear
3	1	604510	Fitting, 6	23	1	670581	Bearing
4	●	670574	Shim – .010" (brown)	24	1	7214	Snap Ring
5	●	671757	Shim – .015" (pink)	25	1	643423	O-Ring
6	●	671758	Shim – .020" (yellow)	26	1	775552	Cover
7	2	670579	Bearing	27	1	783609	Seal
8	1	670582	Key	28	1	783608	Capscrew, M10 x 16
9	1	670506	Pinion	29	4	200882	Capscrew, M8 x 20
10	1	775551	Housing	30	1	644010	Relief Fitting
11	1	686465	Gasket	31	4	4468	Capscrew, 3/8 NC x .75
12	1	675608	Worm	32	1	775553	Adapter
13	2	2705	O-Ring	33	1	670575	Gasket
14	1	670549	Check Valve ◆	34	4	768798	Capscrew, M8 x 40
15	4	6444	Lockwasher, 5/16	35	4	787384	Lockwasher, M8
16	4	607059	Capscrew, 5/16 NC x 1.75	36	4	221494	Washer, M8
17	1	6063316	Check Valve ◆	37	1	656300	Gear Box Lube – 48 oz.
18	1	6097946	Drive Motor – 2.2 c.i. ■	38	1	668184	Sealant
19	1	206406	Drive Motor – 2.2 c.i. ■			670578	Shim Service Kit (items 4-6,11,25,38)

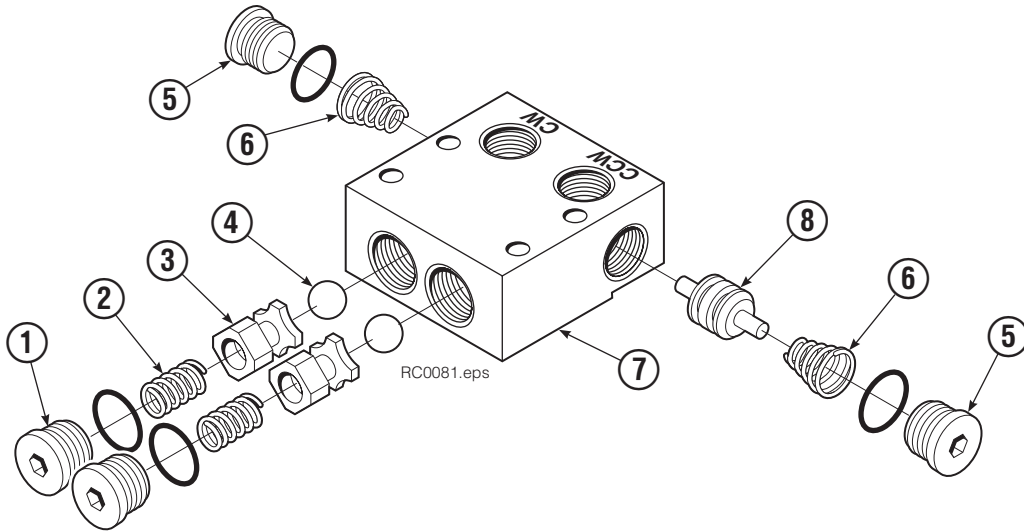
● Quantity as required.

◆ See Valve page for parts breakdown.

■ See Drive Motor page for parts breakdown.

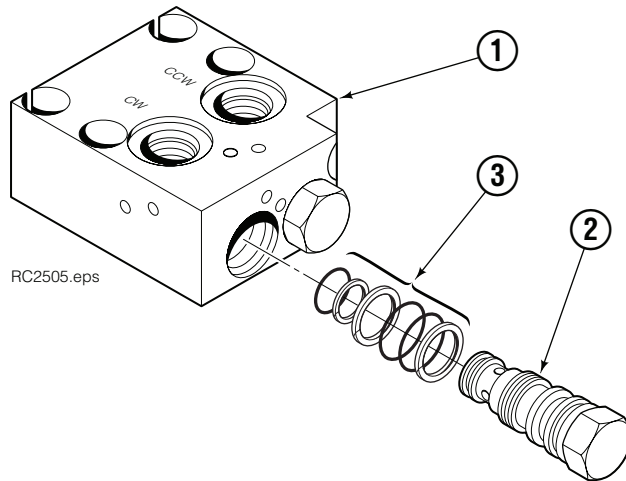
★ For service replacement use Bearing 670580.

Check Valve



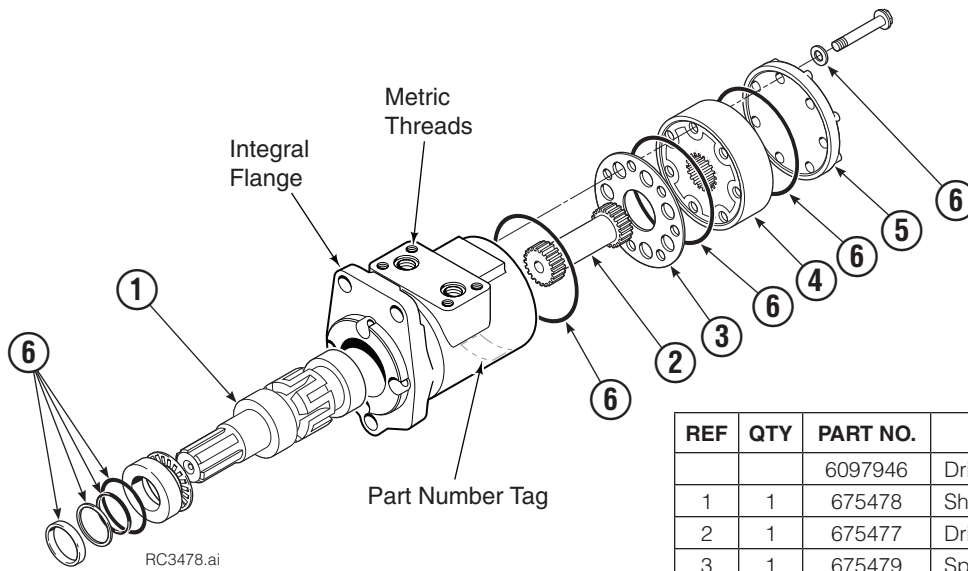
REF	QTY	PART NO.	DESCRIPTION
		670549	Check Valve Assembly ★
1	2	609453	Fitting, 10
2	2	670552	Spring
3	2	670551	Guide
4	2	7020	Ball
5	2	602580	Fitting, 8
6	2	673989	Spring
7	1	670550	Body ★
8	1	670553	Spool

★ No longer available, replaced by 6063316 Valve Assembly.



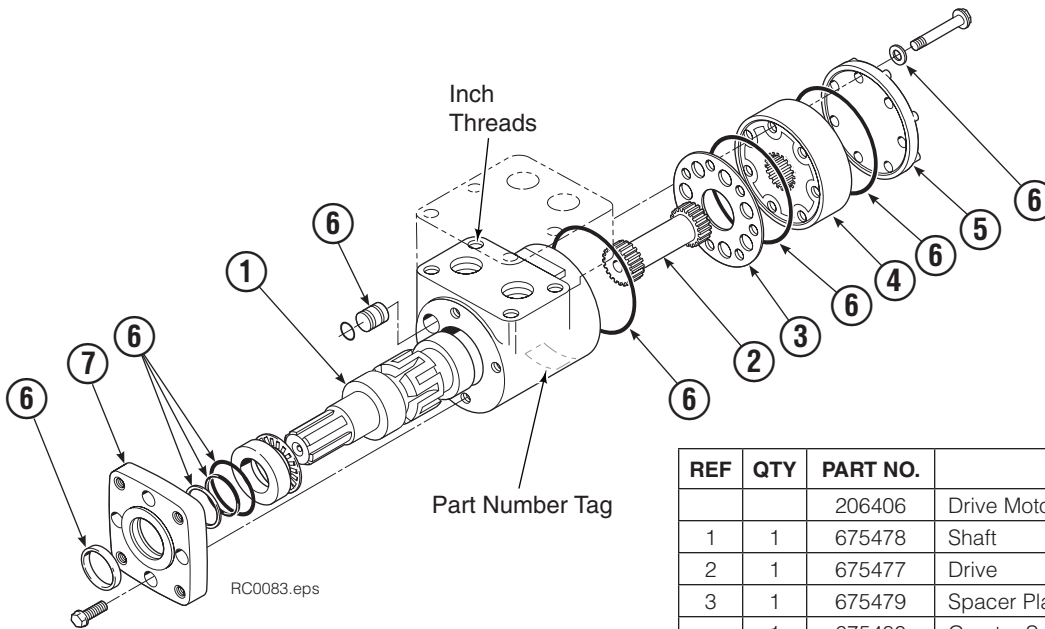
REF	QTY	PART NO.	DESCRIPTION
		6063316	Check Valve Assembly
1	1	6063282	Valve Body
2	2	6038929	Check Valve – PO
3	2	667516	Service Kit

Drive Motor



REF	QTY	PART NO.	DESCRIPTION
		6097946	Drive Motor – 2.2 c.i.
1	1	675478	Shaft
2	1	675477	Drive
3	1	675479	Spacer Plate
4	1	685074	Gerotor Set
5	1	675482	End Cap
6	1	206405	Service Kit ●

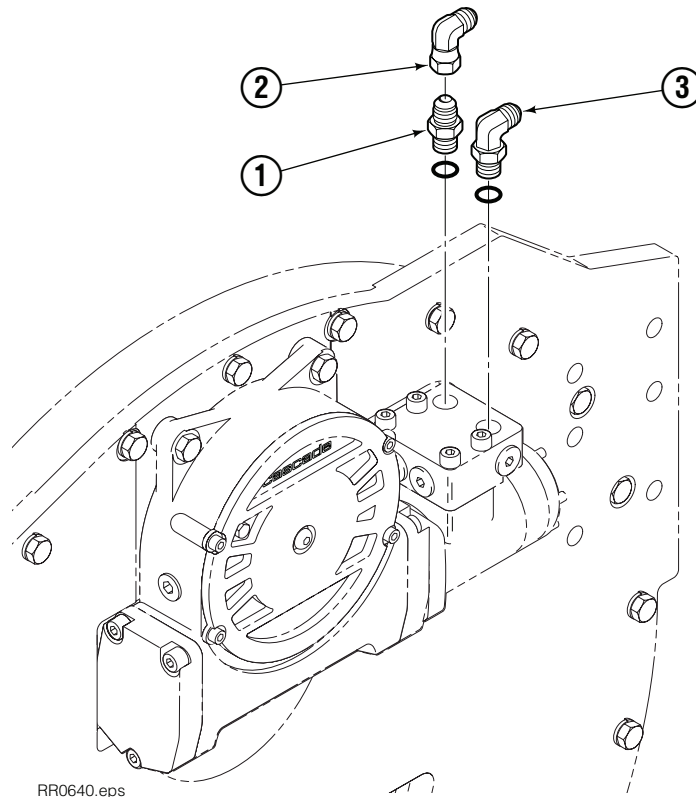
● Compatible with water glycol based hydraulic fluids.
 Cascade provides service replacement parts for the listed parts only. Due to cost, if other parts need replacement, the complete drive motor should be replaced.



REF	QTY	PART NO.	DESCRIPTION
		206406	Drive Motor – 2.2 c.i.
1	1	675478	Shaft
2	1	675477	Drive
3	1	675479	Spacer Plate
4	1	675480	Gerotor Set (101-1768-007) ■
	1	685075	Gerotor Set (101-1768-009) ■
5	1	675482	End Cap
6	1	206405	Service Kit ●
7	1	685089	Flange (101-1768-007) ■
	1	685090	Flange (101-1768-009) ■

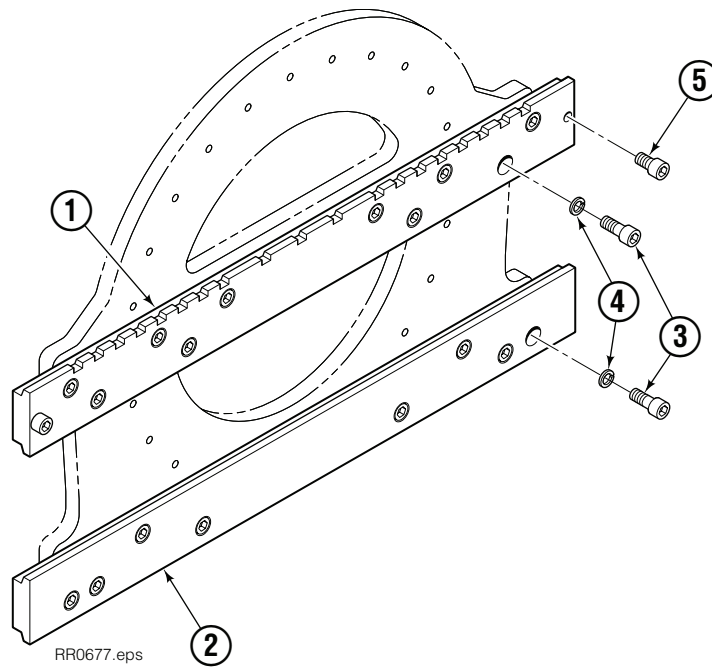
■ See Nameplate under valve for correct part number of Gerotor Set and Flange.
 ● Compatible with water glycol based hydraulic fluids.
 Cascade provides service replacement parts for the listed parts only. Due to cost, if other parts need replacement, the complete drive motor should be replaced.

Fitting Group



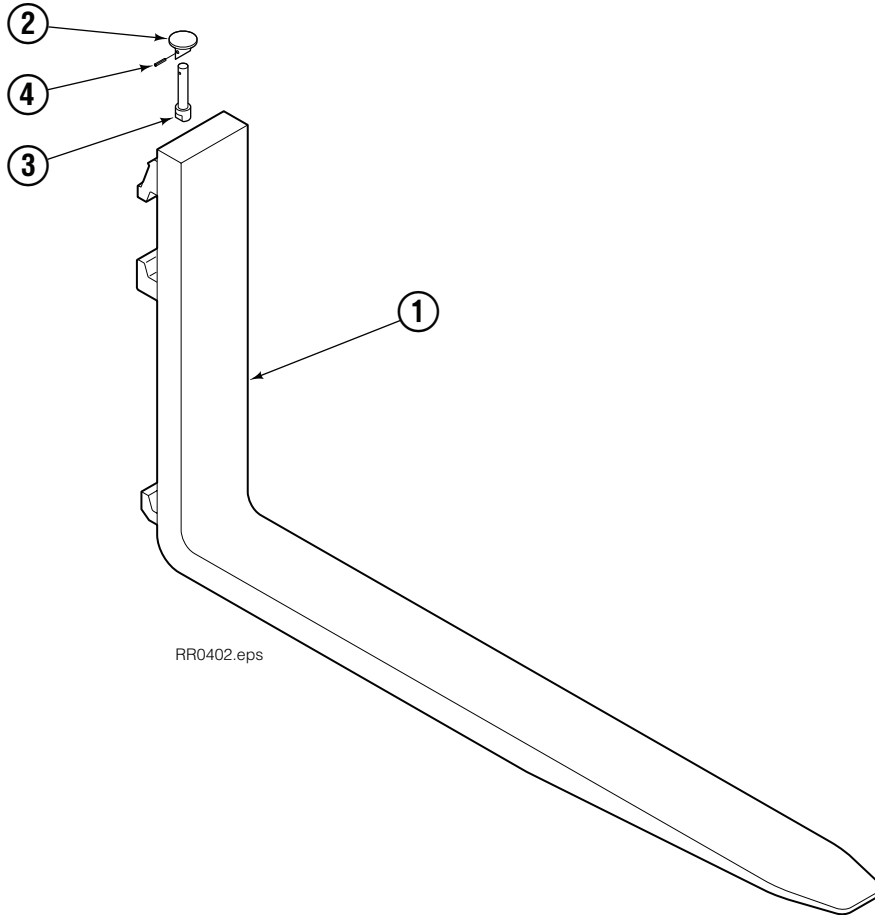
REF	QTY	PART NO.	DESCRIPTION
		212367	Fitting Group
1	1	601377	Fitting, 8-8
2	1	605761	Fitting, 8-8
3	1	601250	Fitting, 8-8

Fork Bar Group



55G			
REF	QTY	PART NO.	DESCRIPTION
		6065868	Fork Bar Group
1	1	6062893	Upper Bar
2	1	6065862	Lower Bar
3	18	769574	Capscrew, M16 x 35
4	18	678992	Lockwasher, M16
5	2	775443	Capscrew, M16 x 25

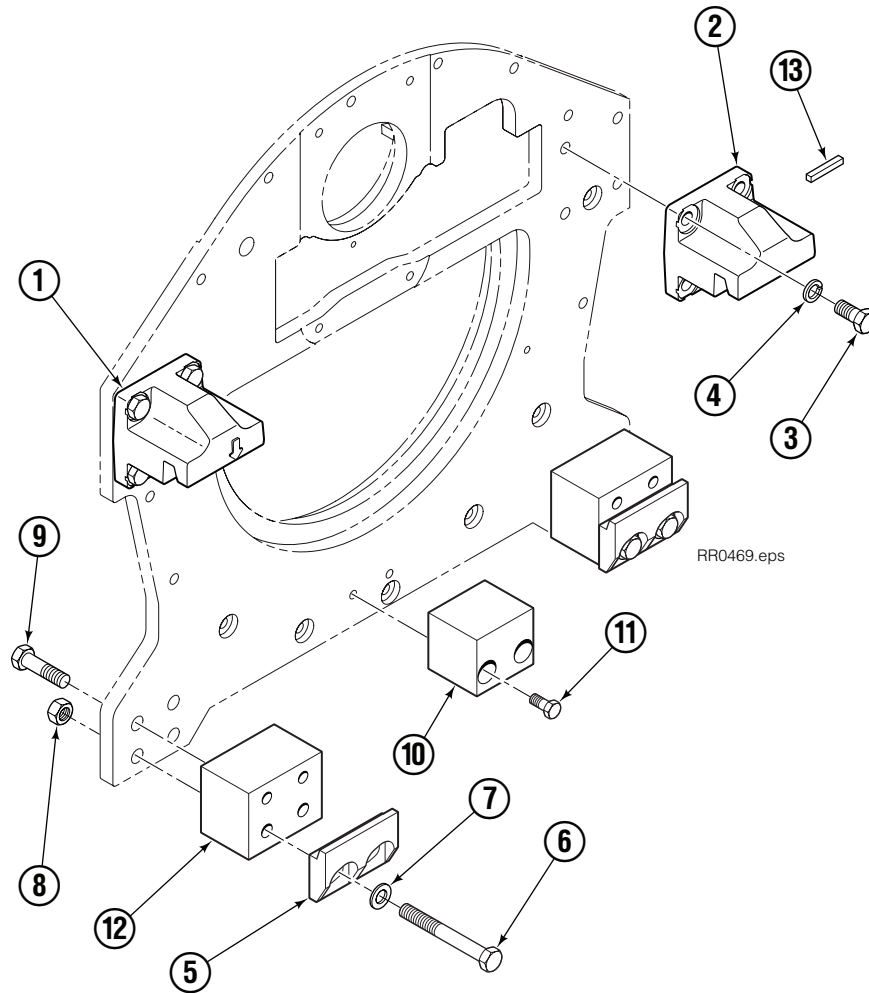
Fork Group



55G			
REF	QTY	PART NO.	DESCRIPTION
		6052636	Fork Assembly
1	1	6052631	Fork
2	1	7000209	Knob ◆
3	1	7000194	Pin ◆
4	1	7000210	Coiled Spring Pin ◆

◆ Included in Pin Kit 7000031.

Bolt-On Mounting Group



Class III, 0°			
REF	QTY	PART NO.	DESCRIPTION
		6051625	Mounting Group
1	1	670527	Upper Hook – LH
2	1	670528	Upper Hook – RH
3	8	684295	Capscrew, M16 x 35
4	8	684586	Lockwasher, M16
5	2	675969	Lower Hook
6	4	768572	Capscrew, M16 x 130
7	4	217637	Washer, M16
8	4	781534	Nut, M16
9	4	689997	Capscrew, M16 x 60
10	1	682067	Center Spacer
11	2	767810	Capscrew, M12 x 25
12	2	6051804	Spacer
13	1	669344	Stop Block Kit

Do you have questions you need answered right now?

Call your nearest Cascade Parts Department.

Visit us online at www.cascorp.com

AMERICAS

**Cascade Corporation
Parts Sales**

2501 Sheridan Ave.
Springfield, OH 45505
Tel: 888-CASCADE (227-2233)
Fax: 888-329-0234

Cascade Canada Inc.

5570 Timberlea Blvd.
Mississauga, Ontario
Canada L4W-4M6
Tel: 905-629-7777
Fax: 905-629-7785

Cascade do Brasil

Rua João Guerra, 134
Macuco, Santos - SP
Brasil 11015-130
Tel: 55-13-2105-8800
Fax: 55-13-2105-8899

EUROPE-AFRICA

**Cascade Italia S.R.L.
European Headquarters**

Via Dell'Artigianato 1
37050 Vago di Lavagno (VR)
Italy
Tel: 39-045-8989111
Fax: 39-045-8989160

Cascade (Africa) Pty. Ltd.

PO Box 625, Isando 1600
60A Steel Road
Sparton, Kempton Park
South Africa
Tel: 27-11-975-9240
Fax: 27-11-394-1147

ASIA-PACIFIC

Cascade Japan Ltd.

2-23, 2-Chome,
Kukuchi Nishimachi
Amagasaki, Hyogo
Japan, 661-0978
Tel: 81-6-6420-9771
Fax: 81-6-6420-9777

Cascade Korea

121B 9L Namdong Ind.
Complex, 691-8 Gojan-Dong
Namdong-Ku
Inchon, Korea
Tel: +82-32-821-2051
Fax: +82-32-821-2055

Cascade-Xiamen

No. 668 Yangguang Rd.
Xinyang Industrial Zone
Haicang, Xiamen City
Fujian Province
P.R. China 361026
Tel: 86-592-651-2500
Fax: 86-592-651-2571

**Cascade India Material
Handling Private Limited**

No 34, Global Trade Centre
1/1 Rambaugh Colony
Lal Bahadur Shastri Road,
Navi Peth, Pune 411 030
(Maharashtra) India
Phone: +91 020 2432 5490
Fax: +91 020 2433 0881

Cascade Australia Pty. Ltd.

1445 Ipswich Road
Rocklea, QLD 4107
Australia
Tel: 1-800-227-223
Fax: +61 7 3373-7333

Cascade New Zealand

15 Ra Ora Drive
East Tamaki, Auckland
New Zealand
Tel: +64-9-273-9136
Fax: +64-9-273-9137

**Sunstream Industries
Pte. Ltd.**

18 Tuas South Street 5
Singapore 637796
Tel: +65-6795-7555
Fax: +65-6863-1368

