



# Parts Manual

---

Model \_\_\_\_\_ **Sideshifter**

Serial Number \_\_\_\_\_ **60E-SSS-209**

---

**cascade**<sup>®</sup>

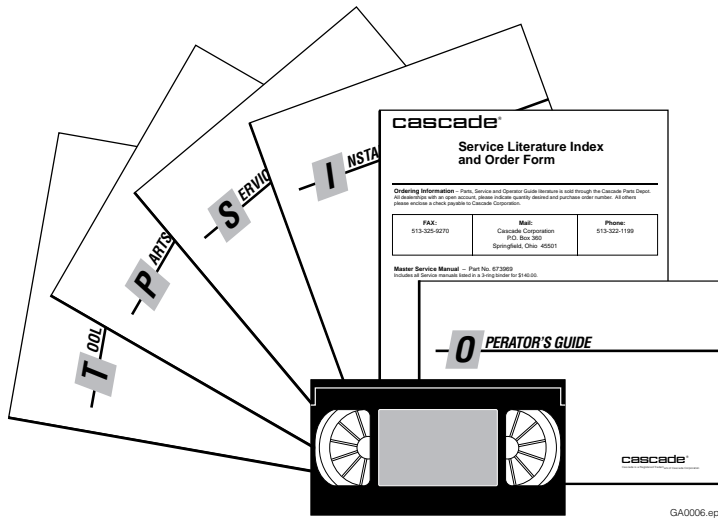
**For Technical Assistance and to Order Parts . . .**

Call: 1-800-CASCADE or 503-669-6300

**OR**

Write: Cascade Corporation, P.O. Box 20187, Portland, OR 97220

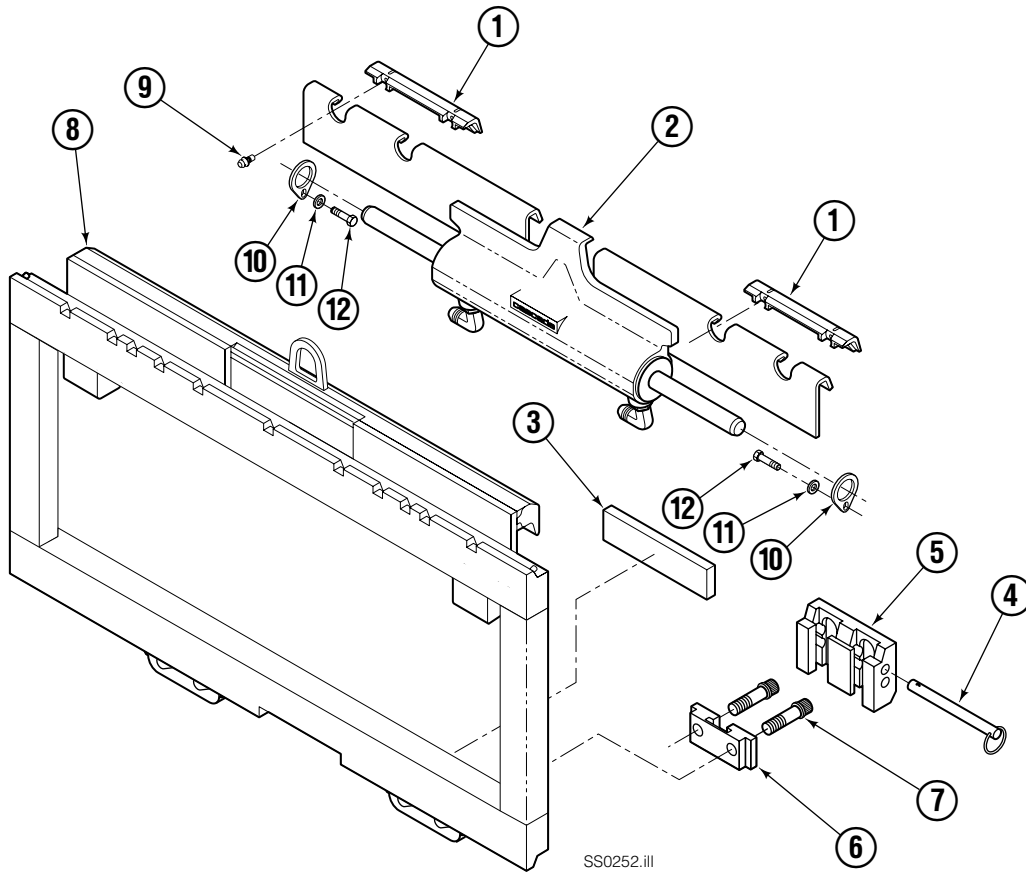
# Publications



GA0006.eps

60E Sideshifter	
PART NO.	DESCRIPTION
	Parts Manual
205849	Service Manual
205124	Operator Guide
205125	Installation Instruction
679929	Tool Catalog
673964	Literature Index Order Form

# Sideshift Group

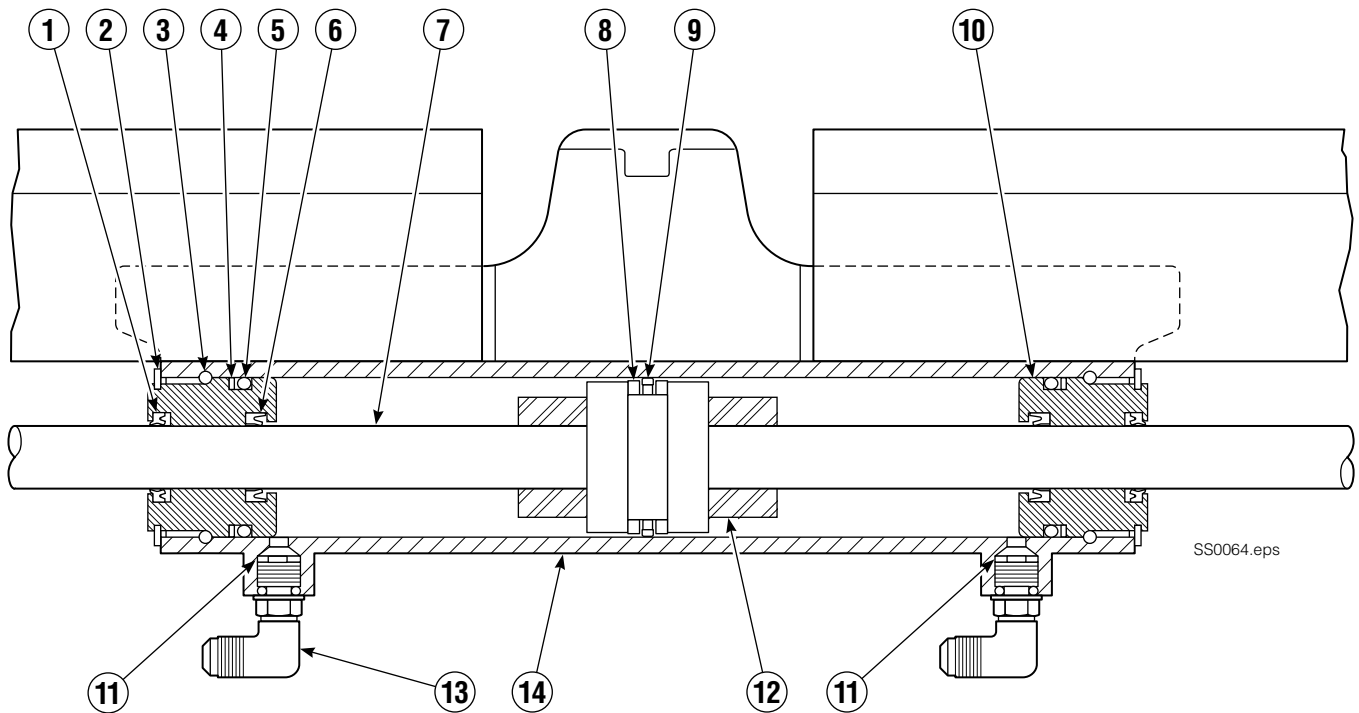


Reference:  
 S-4021 Frame Group  
 208391 Common Parts Group  
 683181 Lower Hook Group

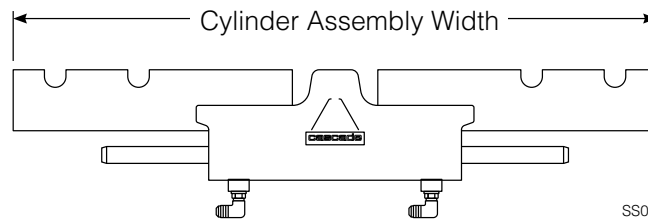
60E			
REF	QTY	PART NO.	DESCRIPTION
1	2	672018	Upper Bearing
2	1	■	Cylinder
3	2	208350	Lower Bearing
4	2	678832	Pin
5	2	675957	Lower Hook
6	2	675958	Guide
7	4	779019	Capscrew, M16x2.0x35L
8	1	●	Frame
9	2	7403	Zerk Fitting
10	2	208355	Retainer
11	2	202346	Washer, M6
12	2	763169	Capscrew, M6x1x20L

- If the Frame needs replacing, your best value is to order the complete sideshift assembly.
- See Cylinder page for parts breakdown.

# Cylinder



SS0064.eps



SS0065.eps

## 60E

REF	QTY	PART NO.	DESCRIPTION	REF	QTY	PART NO.	DESCRIPTION
		583970	Cylinder Assembly, 34.0 in. (865 mm)	● 8	2	563278	Bearing Ring
● 1	2	562131	Wiper Seal	● 9	1	563469	Piston Seal
2	2	562951	Snap Ring	10	2	562792	Retainer
3	2	562942	Retaining Ring	11	2	564226	Speed Control Washer
● 4	2	563388	Back-Up Ring	12	2	-	Spacer
● 5	2	562127	O-Ring	13	2	601676	Fitting, JIC 6-6
● 6	2	562132	Rod Seal	14	-	■	Cylinder Shell
7	1	562055	Rod			563487	Service Kit

● Included in Service Kit 563487.

■ Not serviceable, order new cylinder assembly.

**Do you have questions you need answered right now?** Call your nearest Cascade Parts Department.

**Cascade Corporation**  
2501 Sheridan Avenue  
Springfield, OH 45505  
Tel: 888-CASCADE (227-2233)  
FAX: 888-329-0234

**Cascade Canada Inc.**  
5570 Timberlea Blvd.  
Mississauga, Ontario  
Canada L4W-4M6  
Tel: 905-629-7777  
FAX: 905-629-7785

**Cascade GmbH**  
D-41 199 Monchengladbach  
Klosterhofweg 52  
Germany  
Tel: 21-66-602091  
FAX: 21-66-680947

**Cascade Finland**  
01370 Vantas  
Finland  
Tel: 358-0-836-1925  
FAX: 358-0-836-1935

**Cascade N.V.  
European Headquarters**  
P.O. Box 3009  
1300 El Almere  
Damsluisweg 56  
1332 ED Almere  
The Netherlands  
Tel: 31-36-5492911  
FAX: 31-36-5492964

**Cascade N.V.  
Benelux Sales and Service**  
P.O. Box 3009  
1300 El Almere  
Damsluisweg 56  
1332 ED Almere  
The Netherlands  
Tel: 31-36-5492950  
FAX: 31-36-5492974

**Cascade (UK) Ltd.**  
15, Orgreave Crescent  
Dore House Industrial Estate  
Handsworth  
Sheffield S13 9NQ  
England  
Tel: 742-697524  
FAX: 742-695121

**Cascade Scandinavia  
Hydraulik A.B.**  
Muskötgatan 19, E8-9  
S25466 Helsingborg  
Sweden  
Tel: 42-151135  
FAX: 42-152997

**Cascade Norway**  
Østerliveien 37A  
1153 Oslo  
Norway  
Tel: 47-22-743160  
FAX: 47-22-743157

**Cascade France S.A.R.L.**  
11, Rue Jean Charcot  
Zone Industrielle Sud or  
B.P. 22  
91421 Morangis Cedex  
France  
Tel: 1- 64547501  
FAX: 1-9790584

**Cascade Hispania S.A.**  
Avenida De La Fabregada, 7  
Hospitalet De Llobregat  
Barcelona  
Spain  
Tel: 3-335-5158  
FAX: 3-335-4756

**Cascade Japan Ltd.**  
5-5-41,  
Torikai Kami  
Settsu, Osaka  
Japan, 566  
Tel: 81-726-53-3490  
FAX: 81-726-53-3497

**Cascade Korea**  
Room 508, Pum Yang Bldg.  
750-14, Bang Bac-Dong  
Se-Cho Ku, Seoul  
Korea  
Tel: 2599-7131 ext. 512  
FAX: 2533-8089

**HYCO-Cascade Pty. Ltd.**  
1445 Ipswich Road  
Rocklea,  
Queensland 4107  
Australia  
Tel: 3-274-2722  
FAX: 3-274-3456

**HYCO-Cascade (NZ) Ltd.**  
15 Ra Ora Drive, East Tamaki  
P.O. Box 38-440  
Howick, Auckland  
New Zealand  
Tel: 9-273-9136  
FAX: 9-273-9137

**Cascade (Africa) Pty. Ltd.**  
P.O. Box 625, Isando 1600  
60A Steel Road  
Sparton, Kempton Park  
South Africa  
Tel: 975-9240  
FAX: 394-1147

**Cascade-Xiamen**  
Wanshan No. 1 Workshop  
Huli Road  
Xiamen 361006  
Fujian, PRC  
Tel: 592-562-4600  
FAX: 592-562-4671

**Cascade (Singapore)  
Trading Co.**  
Four Seasons Park  
Autumn Block - Apt. 1802  
12 Cascaden Walk  
Singapore  
Tel: 65-834-1935  
FAX: 65-834-1936

