



Parts Manual

Model Single-Double Pallet Handler

Serial Number 55E-FDS-270

cascade[®]
corporation

For Technical Assistance call: 800-227-2233, Fax: 888-329-8207

To Order Parts call: 888-227-2233, Fax: 888-329-0234

OR

Write: Cascade Corporation, P.O. Box 20187, Portland, OR 97220

Internet: www.cascorp.com

Decals



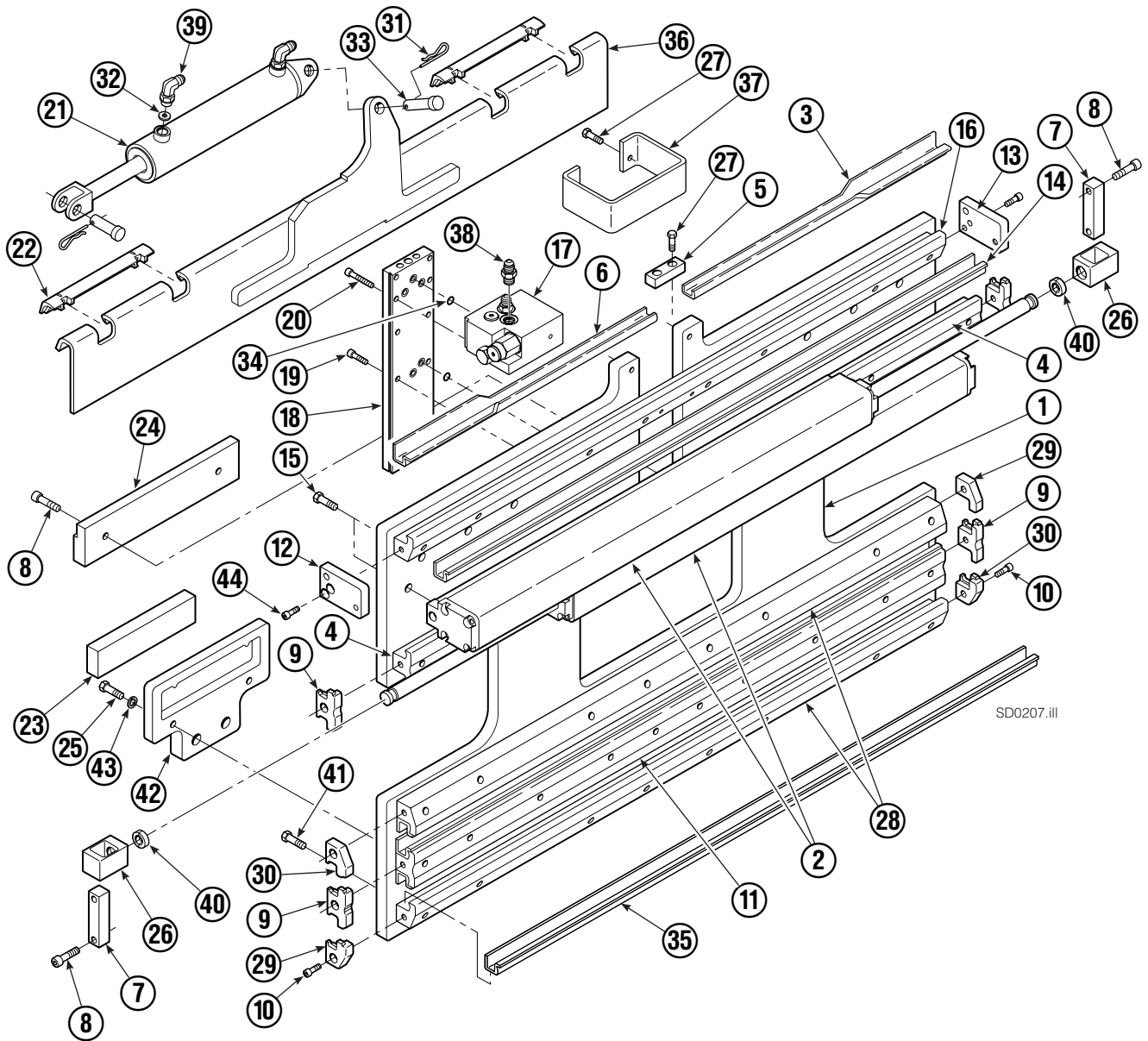
55E			
REF	QTY	PART NO.	DESCRIPTION
1	6	665595	No Hand Hold Decal
2	4	679150	No Step Decal

Publications



55E	
PART NO.	DESCRIPTION
214269	Parts Manual
213580	Operator's Guide
213372	Installation Instructions
679929	Tool Catalog
673964	Literature Index Order Form

Base Unit Group – ITA Class III



Base Unit Group – ITA Class III

55E			
REF	QTY	PART NO.	DESCRIPTION
		220183	Base Unit Group – Class III
1	1	220077	Baseplate
2	2	214620	Frame Cylinder ★
3	1	4786-0488	Bearing Segment – LH
4	2	214628	T-Bar – Upper
5	1	212722	Fork Stop
6	1	4787-0488	Bearing Segment – RH

Common Parts

REF	QTY	PART NO.	DESCRIPTION	REF	QTY	PART NO.	DESCRIPTION
7	2	210489	Rod End Anchor ■	26	2	209741	Rod End ■
8	6	768303	Capscrew, M10 x 35 ■	27	6	684649	Capscrew, M10 x 25
9	4	210140	Bearing Retainer	28	2	214633	T-Bar – Lower
10	12	787375	Capscrew, M8 x 20 GR 8.8	29	2	212585	Bearing Retainer
11	1	214631	T-Bar – Lower	30	2	212586	Bearing Retainer
12	1	220009	Retainer/Stop – RH	31	2	672726	Cotter Pin
13	1	220008	Retainer/Stop – LH	32	1	675550	Washer
14	4	4730-1050	Bearing Segment	33	2	678525	Clevis Pin
15	13	211689	Capscrew, M12 x 30 GR 10.9	34	7	214053	O-Ring
16	1	220143	T-Bar – Upper	35	4	4730-1040	Bearing Segment
17	1	216838	Valve Assembly ▲	36	1	211371	Anchor Bracket
18	1	211456	Manifold	37	1	212741	Valve Guard
19	6	768208	Capscrew, M8 x 25	38	2	604511	Fitting, 6-6 ◆
20	4	768795	Capscrew, M8 x 30	39	2	601676	Fitting, 6-6 ◆
21	1	675548	Sideshift Cylinder ●	40	4	210490	Retainer Half Ring ■
22	2	672018	Upper Bearing	41	37	214487	Capscrew, M12 x 40
23	2	208350	Lower Bearing	42	2	215226	Hanger
24	1	218208	Spacer Block	43	4	787383	Lockwasher, M10
25	4	767615	Capscrew, M10 x 25	44	4	762900	Capscrew, M6 x 25

★ See Frame Cylinder page for parts breakdown.

▲ See Valve Assembly – Class III page for parts breakdown.

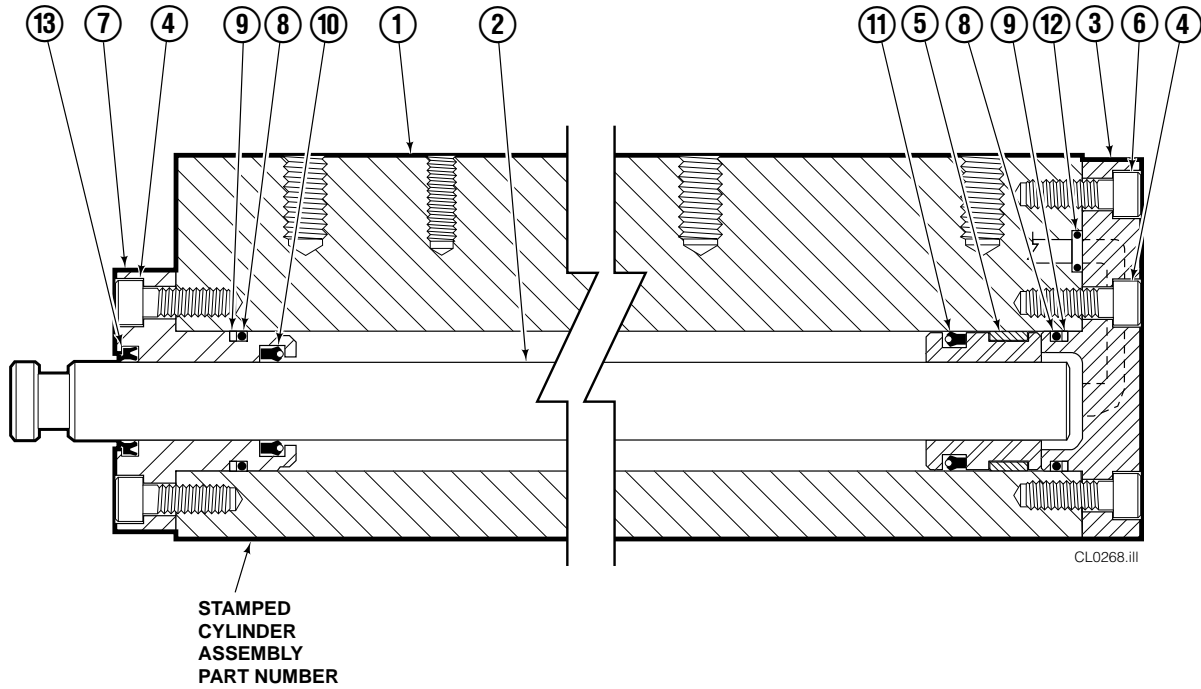
■ Included in Cylinder Rod Anchor Kit 213856.

● See Sideshift Cylinder page for parts breakdown.

◆ Included in Fitting Group 213099.

Reference: SK-6373.

Frame Cylinder



55E			
REF	QTY	PART NO.	DESCRIPTION
		214620	Cylinder Assembly
1	1	214621	Cylinder/Shell
2	1	4157-805	Rod
3	1	213783	End Cap
4	8	768208	Capscrew, M8 x 25
5	1	209809	Bearing ▲
6	1	787375	Capscrew, M8 x 20
7	1	212452	Retainer
8	3	643379	O-Ring ▲
9	2	210050	Back-Up Ring ▲
10	1	212477	Seal ▲
11	1	209808	Seal ▲
12	2	214053	O-Ring ▲
13	1	562131	Wiper ▲
		210090	Service Kit

▲ Included in Service Kit 210090.

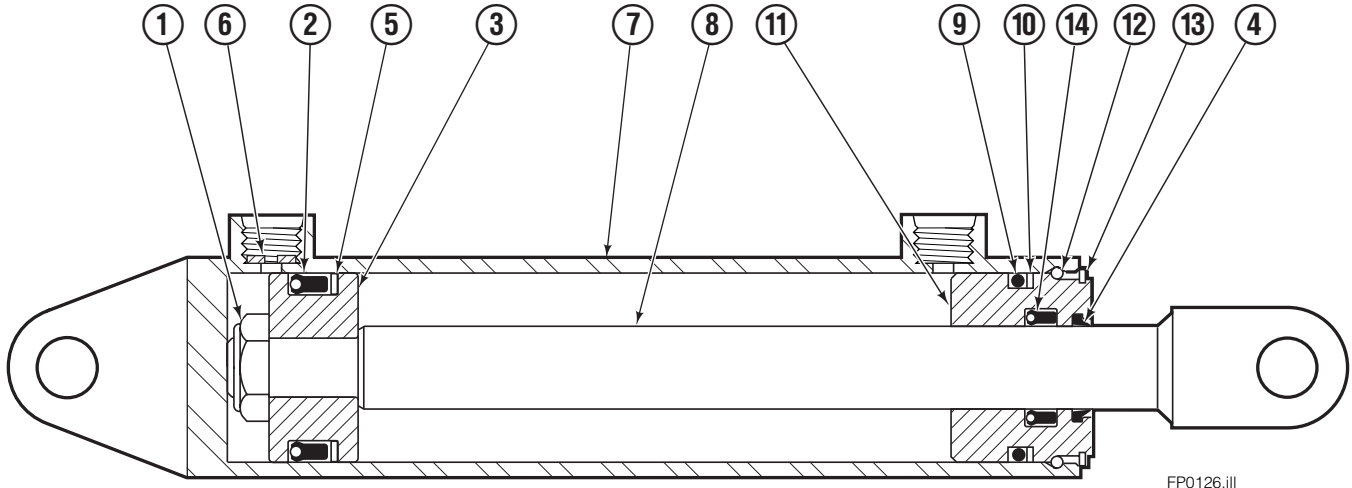
Reference: S-4643, S-4644.

Valve ITA Class III



55E			
REF	QTY	PART NO.	DESCRIPTION
		216838	Valve Assembly
1	1	219039	Check Valve
2	1	—	Service Kit
3	1	609234	Plug
4	1	216839	Valve Body
5	1	213535	Crossover Relief Valve
6	1	682170	Service Kit
7	1	219040	Flow Divider/Combiner
8	1	—	Service Kit

Sideshift Cylinder ITA Class III



FP0126.ill

55E			
REF	QTY	PART NO.	DESCRIPTION
		675548	Cylinder Assembly
1	1	553857	Nut
■ 2	1	662452	Seal
3	1	553501	Piston
■ 4	1	636851	Wiper
■ 5	1	638247	Back-up Ring
6	1	675550	Washer (orifice .085 in.)
7	1	675549	Shell
8	1	553449	Rod
■ 9	1	2785	O-Ring
■ 10	1	615128	Back-up Ring
11	1	553500	Retainer
12	1	553856	Retaining Ring
13	1	7202	Snap Ring
■ 14	1	641835	Seal
		553861	Service Kit

■ Included in Service Kit 553861.

Arm Group



SD0210.III

Arm Group



NOTE: Position the inner forks to maximum width and measure **A** to determine maximum inner fork inside to inside (ITI) range.

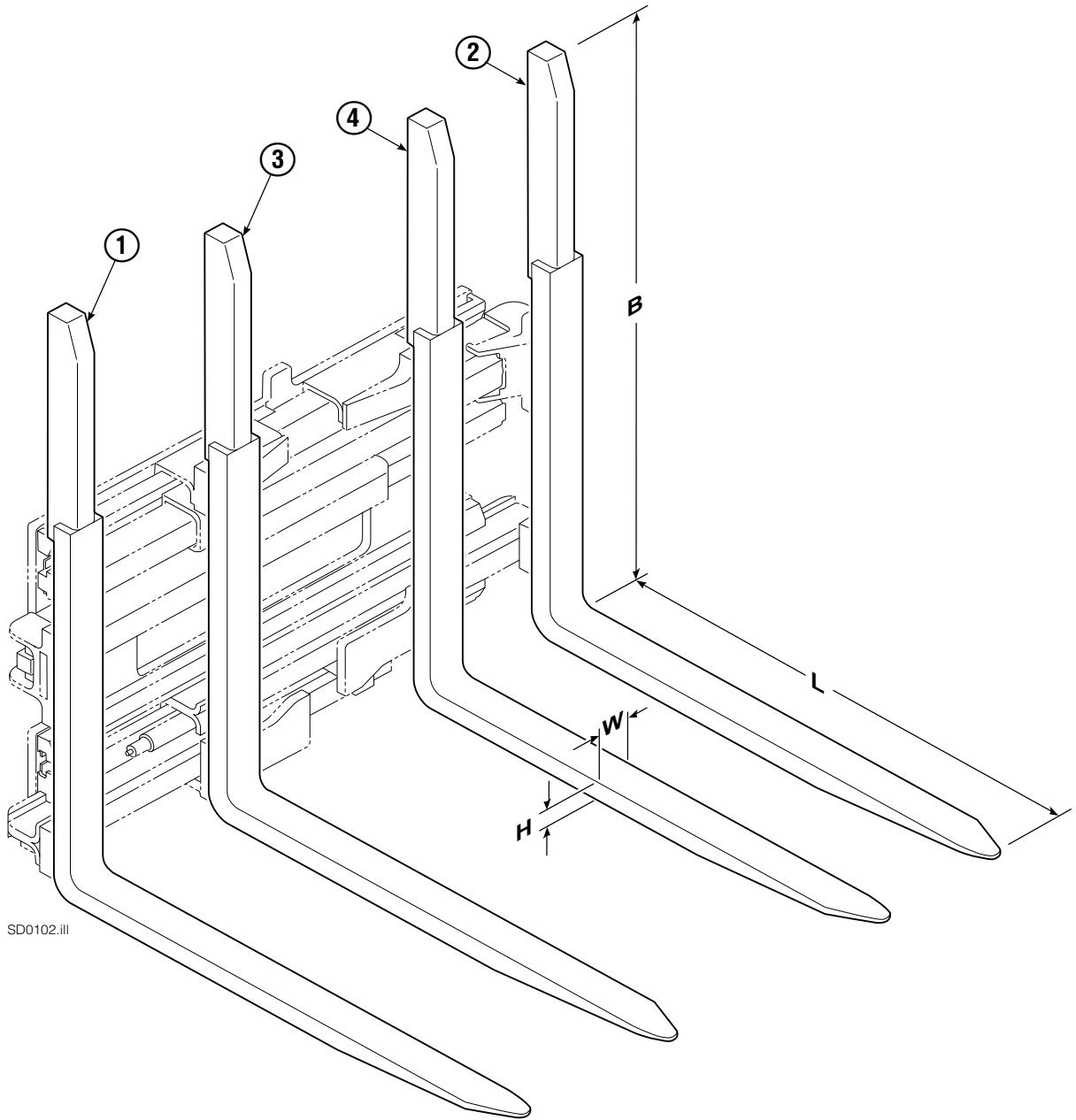
55E						
		DIMENSION – A MAXIMUM ITI FORK RANGE				
		28 in. (720 mm)	28.5 in. (730 mm)	31 in. (790 mm)	32 in. (820 mm)	
REF	QTY	PART NO.	PART NO.	PART NO.	PART NO.	DESCRIPTION
		220119	220122	220123	220120	Arm Group
1	2	220175	220176	220177	220174	Upper Arm Bar
2	1	220124	220216	220217	220213	Lower Arm Bar – RH
3	1	220204	220206	220207	220203	Lower Arm Bar – LH
4	1	220135	220136	220137	220135	Lower Hook – RH
5	1	220138	220139	220140	220138	Lower Hook – LH
6	2	10273-0243	10273-0133	10273-0178	10273-0243	Bracket
7	2	218895	219979	219979	218895	Gas Spring

Common Parts

REF	QTY	PART NO.	DESCRIPTION	REF	QTY	PART NO.	DESCRIPTION
8	1	220096	Upper Hook – LH	19	2	4501-0222	Bearing Segment
9	1	220095	Upper Hook – RH	20	2	212979	Bearing Retainer
10	2	213011	Ball Joint	21	1	212682	Bearing – RH
11	4	766646	Capscrew, M10 x 20	22	1	213899	Bearing – LH
12	4	212687	Fork Stop	23	4	213364	Key
13	8	769574	Capscrew, M16 x 35	24	2	213360	Bearing Retainer
14	12	769578	Capscrew, M16 x 60	25	4	212559	Shim, .04 in. (.1 mm)
15	4	769577	Capscrew, M16 x 50	26	4	213913	Shim, .02 in. (.5 mm)
16	8	769573	Capscrew, M16 x 30	27	4	787375	Capscrew, M8 x 20
17	2	210587	Spacer	28	4	797611	Spacer
18	4	214414	Capscrew, M10 x 12	29	4	797610	Spacer

Reference: SK-6373 and 6374. Common Parts Group 220285.

Tube Backrest/Fork Group



SD0102.iii

55E								
SIZE (IN.)				FORK GROUP PART NO.	REF 1	REF 2	REF 3	REF 4
L	W	H	B		Outer Fork-RH	Outer Fork-LH	Inner Fork-RH	Inner Fork-LH
42.1	3.2	1.8	48	212605	212761	212760	212801	212800

Mounting Group ITA Class III



SD0224.ill

55E			
REF	QTY	ITA III PART NO.	DESCRIPTION
		212574	Upper Hook Group ▲
		211175	Bolt-On Lower Hook Group ●
1	1	218207	Upper Hook - RH
2	1	218206	Upper Hook - LH
3	6	678997	Capscrew, M16 x 65
4	2	7403	Grease Fitting
5	2	675969	Lower Hook
6	4	667225	Washer
7	4	751511	Capscrew, M16 x 55

▲ Includes items 1–3.

● Includes items 5–7.

Reference: SK-6373.

Do you have questions you need answered right now? Call your nearest Cascade Parts Department.

Cascade Corporation

2501 Sheridan Avenue
Springfield, OH 45505
Tel: 888-CASCADE (227-2233)
FAX: 888-329-0234
www.cascorp.com

Cascade Canada Inc.

5570 Timberlea Blvd.
Mississauga, Ontario
Canada L4W-4M6
Tel: 905-629-7777
FAX: 905-629-7785

Cascade GmbH

D-41199 Monchengladbach
Klosterhofweg 52
Germany
Tel: 49-216-668230
FAX: 49-216-6682323

Cascade Finland

Albert Petreliuksenkatu 3
01370 Vantaa
Finland
Tel: 358-9-836-1925
FAX: 358-9-836-1935

**Cascade N.V.
European Headquarters**

P.O. Box 3009
1300 El Almere
Damsluisweg 56
1332 ED Almere
The Netherlands
Tel: 31-36-5492911
FAX: 31-36-5492964

**Cascade N.V.
Benelux Sales and Service**

P.O. Box 3009
1300 El Almere
Damsluisweg 56
1332 ED Almere
The Netherlands
Tel: 31-36-5492950
FAX: 31-36-5492974

Cascade (UK) Ltd.

15, Orgreave Crescent
Dore House Industrial Estate
Handsworth
Sheffield S13 9NQ
England
Tel: 742-697524
FAX: 742-695121

Cascade Scandinavia AB

Box 124
Hammarvägen 10
567 23 Vaggeryd
Sweden
Tel: 42-0-393-36950
FAX: 46-0-393-36959

Cascade Norway

Østerliveien 37A
1153 Oslo
Norway
Tel: 47-22-743160
FAX: 47-22-743157

Cascade France S.A.R.L.

1D Rue De Charaintru
BP 18, 91360 Epinay-Sur-Orge
Morangis Cedex, France
Tel: 33-1- 64547500
FAX: 33-1-64547501

Cascade Hispania S.A.

Carrer 5 Sector C
Zona Franca Duanera
Poligono de la Zon Franca
08040 Barcelona, Spain
Office No. 256
Tel: 93-264-07-30
FAX: 93-264-07-31

Cascade Japan Ltd.

5-5-41,
Torikai Kami
Settsu, Osaka
Japan, 566
Tel: 81-726-53-3490
FAX: 81-726-53-3497

Cascade Korea

108B, Namdong Ind Complex
658-3 Gojan-Dong
Namdong-Gu
Inchon, 405-310 Korea
Tel: 82-32-821-2051
FAX: 82-32-821-2055

Cascade Australia

1445 Ipswich Road
Rocklea, QLD 4106
Australia
Tel: 1-800227-223
FAX: (07) 3373-7333

Cascade New Zealand

15 Ra Ora Drive
East Tamaki, Auckland
New Zealand
Tel: 9-273-9136
FAX: 9-273-9137

Cascade (Africa) Pty. Ltd.

P.O. Box 625, Isando 1600
60A Steel Road
Sparton, Kempton Park
South Africa
Tel: 27-11-975-9240
FAX: 27-11-394-1147

Cascade-Xiamen

No. 668 Yangguang Rd.
Xinyang Industrial Zone
Haicang, Xiamen City
Fujian Province
P.R. China 361026
Tel: 86-592-651-2500
FAX: 86-592-651-2571

**Cascade (Singapore)
Trading Co.**

Four Seasons Park
Autumn Block - Apt. 1802
12 Cuscaden Walk
Singapore
Tel: 65-834-1935
FAX: 65-834-1936

