



Parts Manual

Model Carton Clamp

Serial Number 35D-CCS-403

cascade[®]
corporation

For Technical Assistance call: 800-227-2233, Fax: 888-329-8207

To Order Parts call: 888-227-2233, Fax: 888-329-0234

OR

Write: Cascade Corporation, P.O. Box 20187, Portland, OR 97220

Internet: www.cascorp.com

Safety Decals



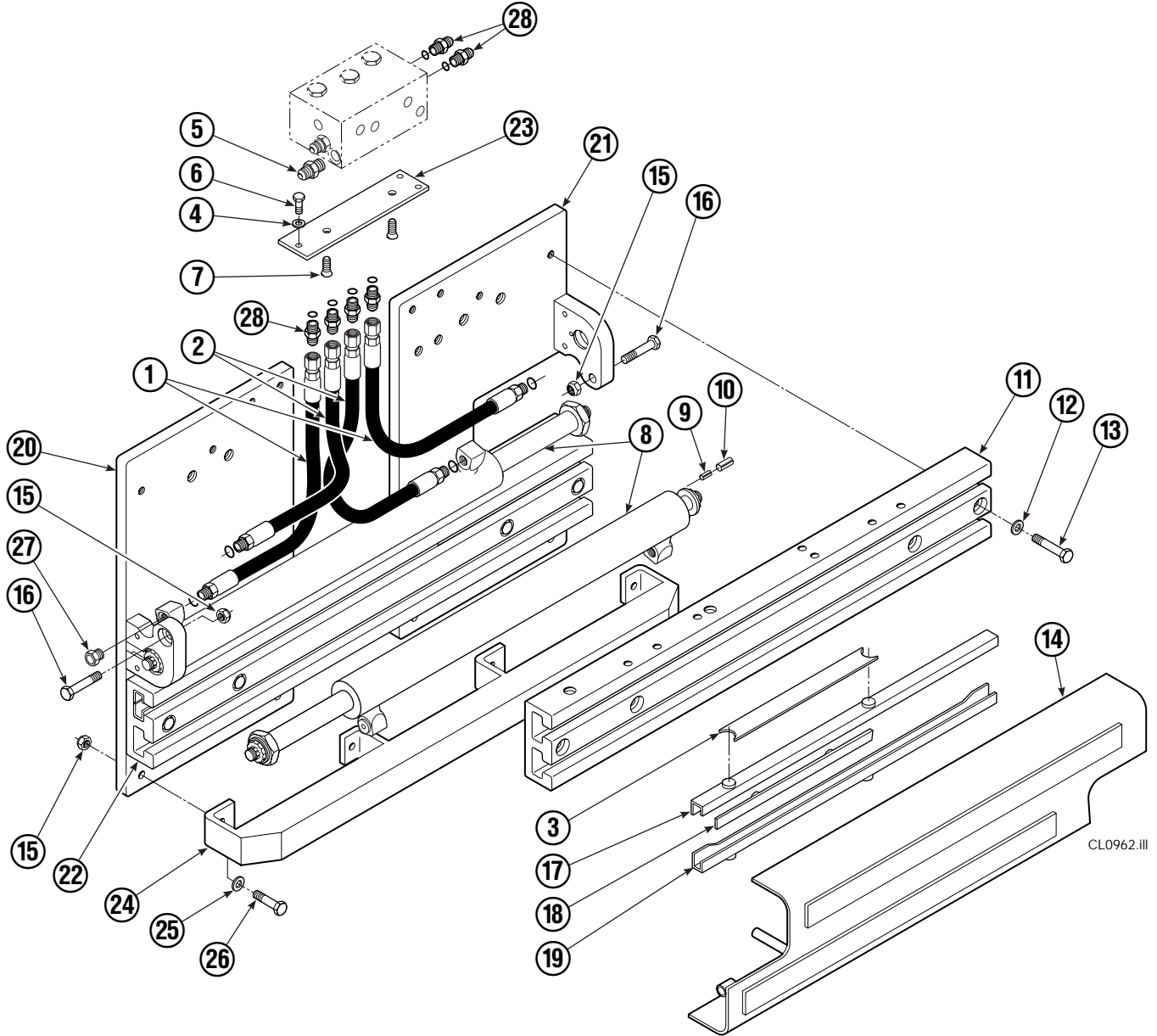
| REF | QTY | PART NO. | DESCRIPTION |
|-----|-----|----------|-------------------------|
| 1 | 1 | 679150 | No Step Decal |
| 2 | 2 | 665595 | No Hand Hold Decal |
| 3 | 1 | 679059 | Quick Change Hook Decal |

Publications



| PART NO. | DESCRIPTION |
|----------|---------------------------------|
| 670487 | Service Manual |
| 670834 | Operators Guide |
| 670488 | Installation Instructions |
| 680664 | Servicing Cascade Cylinders-VHS |
| 679929 | Tool Catalog |
| 673964 | Literature Index Order Form |

Base Unit Group



CL0962.III

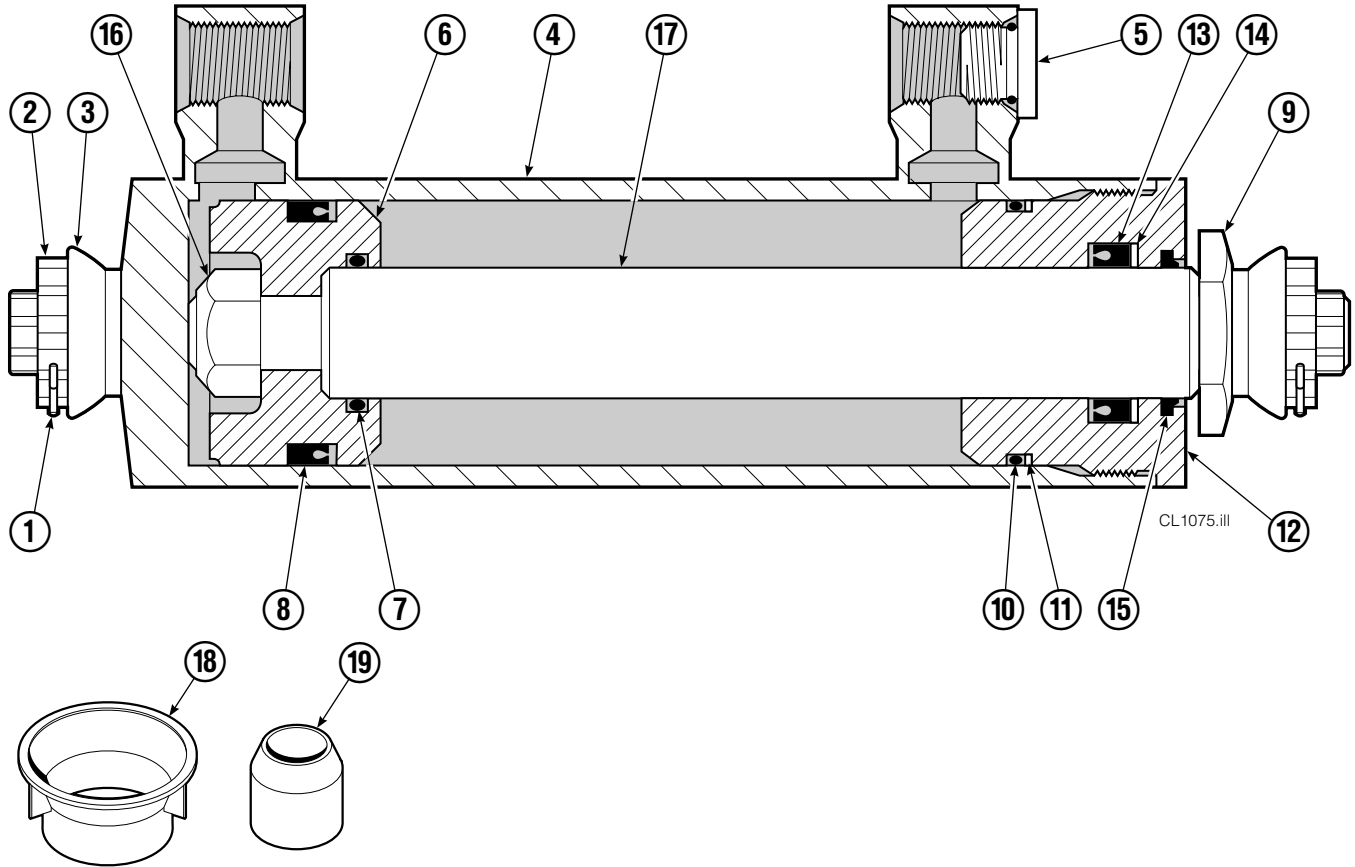
| 35D | | | | | | | |
|-----|-----|----------|------------------|-----|-----|----------|---------------------|
| REF | QTY | PART NO. | DESCRIPTION | REF | QTY | PART NO. | DESCRIPTION |
| 1 | 2 | 210436 | Hose, 24.75 in. | 15 | 6 | 773842 | Nut, M12 |
| 2 | 2 | 210449 | Hose, 18.25 in. | 16 | 2 | 768414 | Capscrew, M12x65 |
| 3 | 1 | 675326 | Shim Kit ■ | 17 | 4 | 208858 | Bearing |
| 4 | 2 | 209021 | Washer, M10 | 18 | 4 | 667663 | Bearing |
| 5 | 1 | 601377 | Fitting, 8-8 | 19 | 4 | 208857 | Bearing |
| 6 | 2 | 684594 | Capscrew, M10x20 | 20 | 1 | 220996 | Mounting Plate - RH |
| 7 | 2 | 766646 | Capscrew, M10x20 | 21 | 1 | 220997 | Mounting Plate - LH |
| 8 | 2 | 671573 | Cylinder ▲ | 22 | 1 | 221417 | Frame - Lower |
| 9 | 2 | 768953 | Roll Pin - Inner | 23 | 1 | 669957 | Plate |
| 10 | 2 | 769009 | Roll Pin - Outer | 24 | 1 | 671545 | Bumper - Lower |
| 11 | 1 | 221280 | Frame - Upper | 25 | 4 | 202348 | Washer, M12 |
| 12 | 8 | 667910 | Washer | 26 | 4 | 768556 | Capscrew, M12x45 |
| 13 | 8 | 684659 | Capscrew, M12x75 | 27 | 2 | 602580 | Fitting, 8 |
| 14 | 1 | 672331 | Bumper | 28 | 6 | 611288 | Fitting, 6-8 |

■ Includes two .015 in. Shims, and eight .020 in. Shims.

▲ See Cylinder page for parts breakdown.

Reference: Base Unit 221353, SK-6390 R-3.

Cylinder



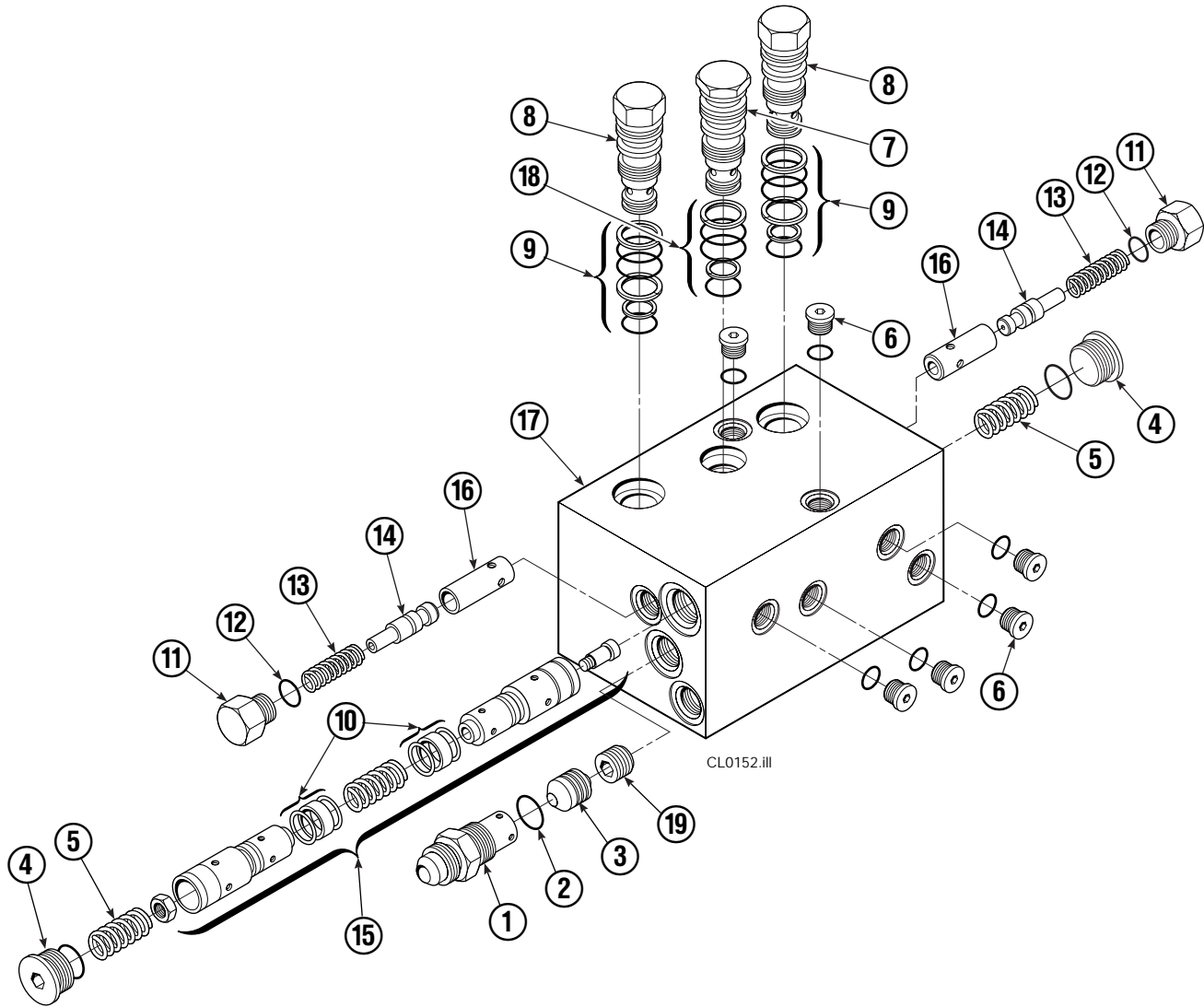
| 35D | | | |
|-----|-----|----------|-------------------------|
| REF | QTY | PART NO. | DESCRIPTION |
| | | 671573 | Cylinder Assembly |
| 1 | 2 | 6510 | ■ Cotter Pin |
| 2 | 2 | 667624 | ■ Nut Retainer |
| 3 | 2 | 667625 | ■ Nut |
| 4 | 1 | 671574 | Shell |
| 5 | 1 | 602580 | Fitting |
| 6 | 1 | 558400 | Piston |
| 7 | 1 | 2716 | ▲ O-Ring |
| 8 | 1 | 662454 | ▲ Seal |
| 9 | 1 | 667626 | Washer |
| 10 | 1 | 2787 | ▲ O-Ring |
| 11 | 1 | 615130 | ▲ Back-Up Ring |
| 12 | 1 | 667917 | Retainer |
| 13 | 1 | 662448 | ▲ Seal |
| 14 | 1 | 638243 | ▲ Nylon Ring |
| 15 | 1 | 636853 | ▲ Wiper |
| 16 | 1 | 668031 | Nut |
| 17 | 1 | 671571 | Rod |
| 18 | 1 | 671049 | ▲ Seal Loader, Piston |
| 19 | 1 | 671052 | ▲ Seal Loader, Retainer |
| | | 667995 | Service Kit |

▲ Included in Service Kit 667995.

■ Included in Nut Service Kit 668926.

Reference: S-7662.

Check Valve



CL0152.III

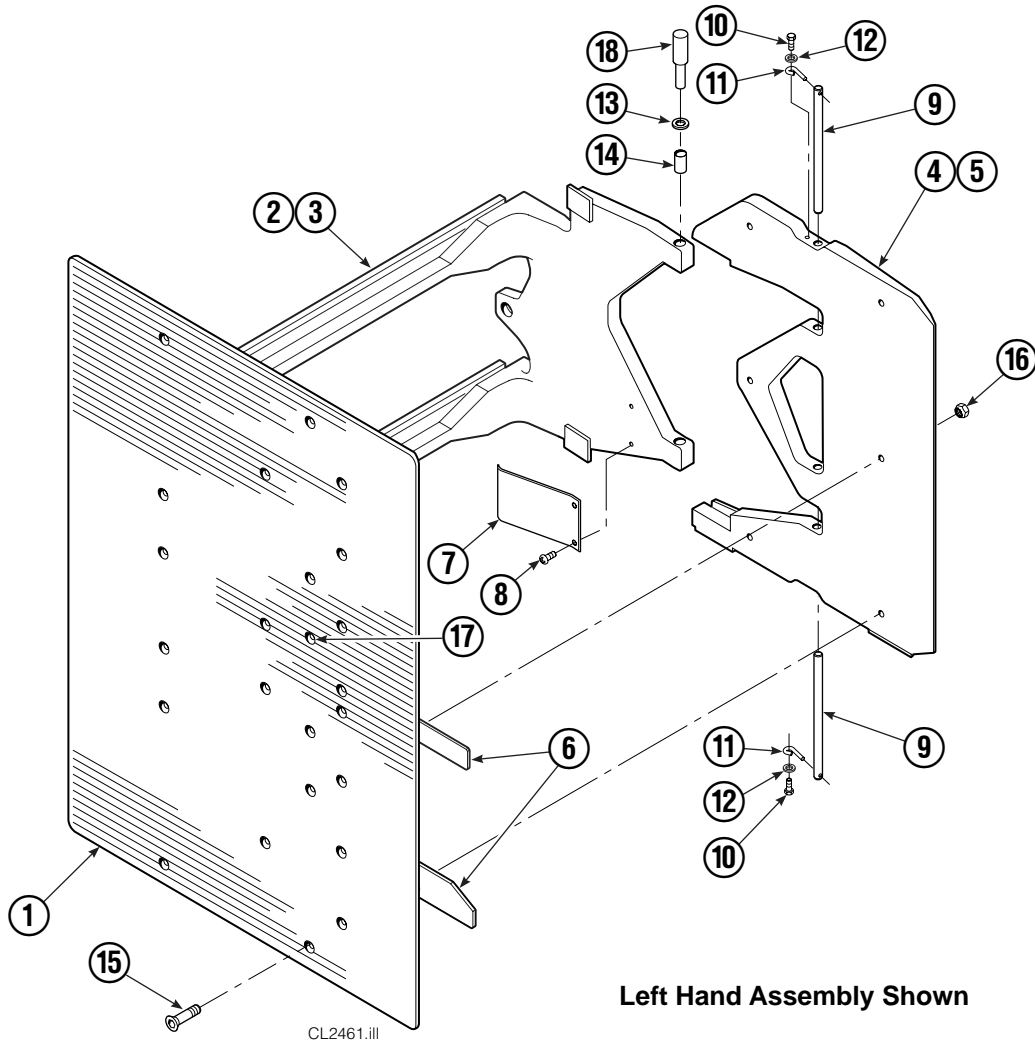
| REF | QTY | PART NO. | DESCRIPTION | REF | QTY | PART NO. | DESCRIPTION |
|-----|-----|----------|----------------------------|-----|-----|----------|---------------------------------|
| | | 669762 | Check Valve – Flow Divider | 11 | 2 | 667494 | Fitting |
| 1 | 1 | 667490 | Special Fitting | 12 | 2 | 2840 | O-Ring ● |
| 2 | 1 | 2841 | O-Ring ● | 13 | 2 | 673098 | Spring |
| 3 | 1 | 667471 | Spool | 14 | 2 | 667492 | Poppet |
| 4 | 2 | 609453 | Fitting, 10 | 15 | 1 | 673089 | Spool Assembly |
| 5 | 2 | 667487 | Spring | 16 | 2 | 667491 | Sleeve |
| 6 | 6 | 604510 | Fitting, 6 | 17 | 1 | 669763 | Valve Body |
| 7 | 1 | 678270 | Check Valve – VPO | 18 | 1 | 661347 | Service Kit ● |
| 8 | 2 | 659058 | Check Valve – PO | 19 | 1 | 676343 | Regeneration Elimination Plug ■ |
| 9 | 2 | 667516 | Service Kit ● | | | 667513 | Service Kit |
| 10 | 1 | 679846 | Low Flow Spool Kit | | | | |

● Included in Service Kit 667513.

■ For eliminating regeneration circuit only. See Tech. Bulletin 121.

Reference: SK-5302.

Arms and Pads



Left Hand Assembly Shown

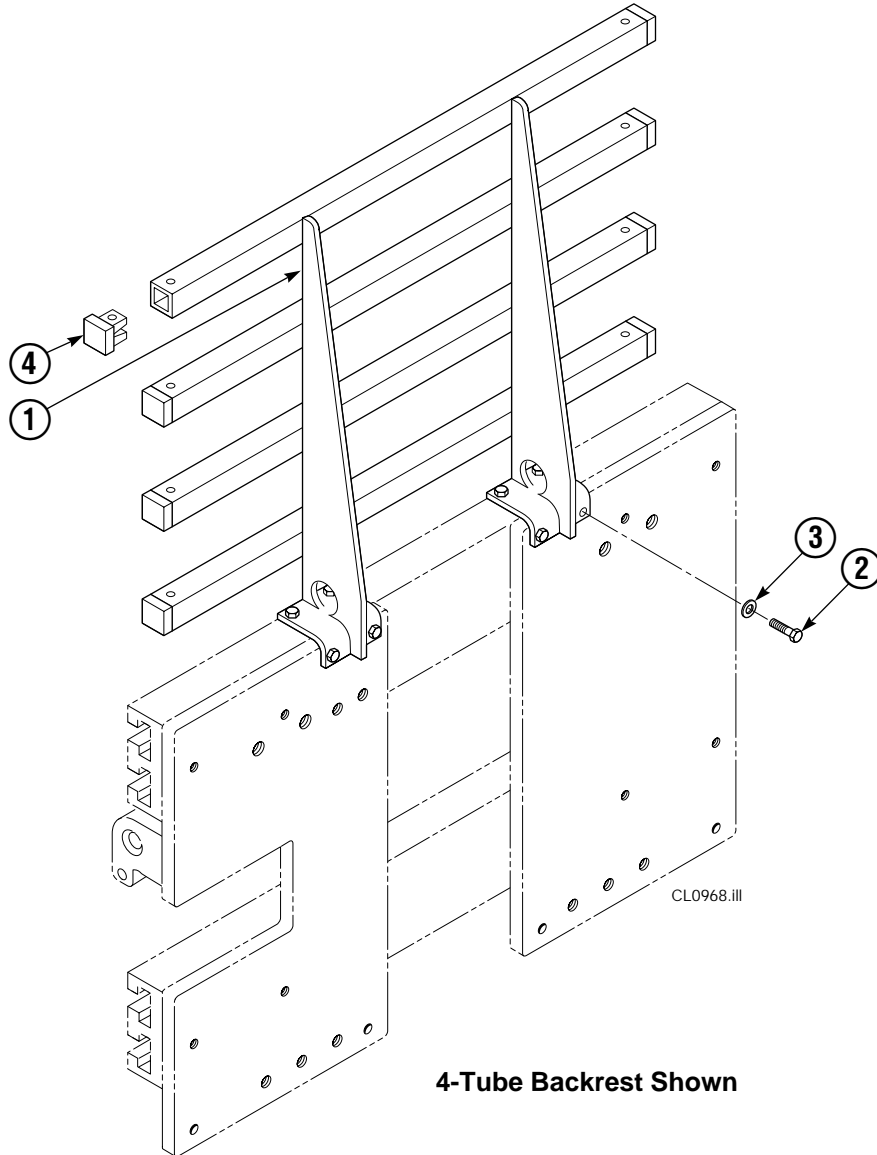
| 35D | | | | | | | |
|-----|-----|----------|---------------------------------|-----|-----|----------|------------------------|
| REF | QTY | PART NO. | DESCRIPTION | REF | QTY | PART NO. | DESCRIPTION |
| 1 | 2 | 6035266 | Contact Pad – 38 in. x 50 in. ■ | 10 | 4 | 787372 | Capscrew, M8 x 20 |
| 2 | 1 | 6001633 | Arm – LH | 11 | 4 | 682999 | Eye Pin |
| 3 | 1 | 6001634 | Arm – RH | 12 | 4 | 787398 | Washer, M8 |
| 4 | 1 | 3011789 | Stabilizer – LH | 13 | 8 | 675620 | Washer, M10 |
| 5 | 1 | 3011790 | Stabilizer – RH | 14 | 8 | 200590 | Bushing |
| 6 | 1 | 6007499 | Shim Kit | 15 | 12 | 768706 | Capscrew, M12 x 35 |
| 7 | 2 | 210154 | Spring | 16 | 12 | 773842 | Nut, M12 |
| 8 | 4 | 203405 | Capscrew, M10 x 16 | 17 | ▲ | 676841 | Contact Pad Repair Kit |
| 9 | 4 | 210161 | Pin | 18 | 1 | 675626 | Tool – Bushing Driver |

■ Width x Height.

▲ Repairs one hole.

Reference: Stabilizer Group 3011788, Common Parts 221511.

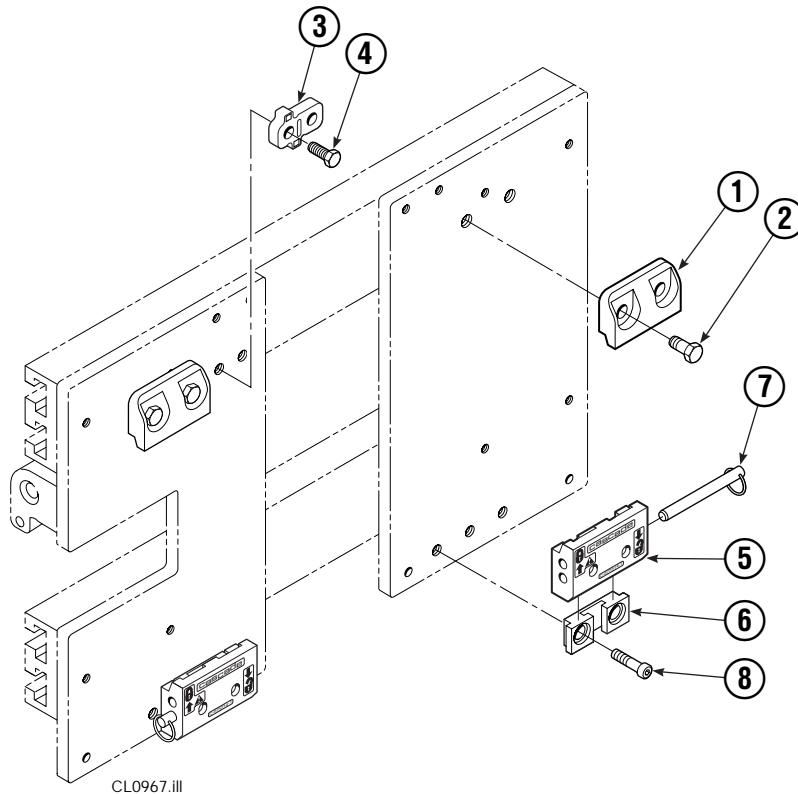
Backrest Group



| 35D | | | |
|-----|-----|----------|------------------|
| REF | QTY | PART NO. | DESCRIPTION |
| | | 6001285 | Backrest Group |
| 1 | 1 | 318517 | Backrest |
| 2 | 8 | 768810 | Capscrew, M10x30 |
| 3 | 8 | 667910 | Washer, M10 |
| 4 | 8 | 674356 | Tube End |

Reference: S-7762.

Quick-Change Mounting Group



| REF | QTY | ITA II | DESCRIPTION |
|-----|-----|----------|------------------------|
| | | PART NO. | |
| | | 211162 | Upper Mounting Group ▲ |
| | | 211174 | Lower Mounting Group ● |
| 1 | 2 | 210491 | Upper Hook |
| 2 | 4 | 768577 | Capscrew, M20 x 35 |
| 3 | 1 | 212999 | Center Key |
| 4 | 2 | 211129 | Capscrew, M16 x 35 |
| 5 | 2 | 675514 | Lower Hook |
| 6 | 2 | 675515 | Guide |
| 7 | 2 | 678832 | Pin |
| 8 | 4 | 211180 | Capscrew, M16 x 30 |

▲ Includes items 1–4.

● Includes items 5–8.

Reference: SK-6390.

Do you have questions you need answered right now? Call your nearest Cascade Parts Department. Visit us online at www.cascorp.com

Cascade Corporation
2501 Sheridan Avenue
Springfield, OH 45505
Tel: 888-CASCADE (227-2233)
FAX: 888-329-0234

Cascade Canada Inc.
5570 Timberlea Blvd.
Mississauga, Ontario
Canada L4W-4M6
Tel: 905-629-7777
FAX: 905-629-7785

Cascade GmbH
Dahlener Strasse 570
41239 Mönchengladbach
Germany
Tel: 02166-68230
FAX: 02166-682323

Cascade Finland
A. Petreliuksenkatu 3
01370 Vantaa
Finland
Tel: 09-8361925
FAX: 09-8361935

**Cascade N.V.
Benelux Sales and Service**
Damsluisweg 56
PO Box 3009
1300 El Almere
The Netherlands
Tel: 036-5492950
FAX: 036-5492974

Cascade (UK) Ltd.
Unit 5, Eden Close
Hellaby Lane Ind. Estate
Heellaby,
Rotherham S66 8RW
England
Tel: 01709-704500
FAX: 01709-704501

**Sales Scotland
Macade Systems Ltd.**
18 Melford Road
Righead Ind. Estate
Bellshill ML4 3LR
Scotland
Tel: 01698-845777
FAX: 01698-845888

Cascade (Africa) Pty. Ltd.
PO Box 625, Isando 1600
60A Steel Road
Sparton, Kempton Park
South Africa
Tel: 975-9240
FAX: 394-1147

Cascade Scandinavia AB
Hammarvägen 10
PO Box 124
S-56723 Vaggeryd
Sweden
Tel: 039-336950
FAX: 039-336959

**Cascade France
S.A.R.L. MHP**
1D Rue De Charaintru
BP 18,
91360 Epinay-Sur-Orge
France
Tel: 01-6454-7500
FAX: 01-6454-7501

Cascade Hispania S.A.
Carrer 5, Sector C
Zona Franca Duanera
Poligono de la Zona Franca
08040 Barcelona
Spain
Tel: 93-264-07-30
FAX: 93-264-07-31

Sales Italy
Via Ponzano 11
50047 Prato
Italy
Tel: 0574-571726
FAX: 0574-571726
Mobile Phone: 0337-673029

**Sales Portugal FAG
Santos Lda**
Rua do Mercado
Lte 6, Loja 2-Tires
2785-630
S. Domingos De Rana
Portugal
Tel: 214-448-083
FAX: 214-458-098

**Sales Switzerland
Fahrzeugbedarf**
8810, Horgen
Switzerland
Tel: 01-7279797
FAX: 01-7279798

Sales Poland
Targowa 35/61
03-728 Warszawa
Tel: 022-619 00 49
FAX: 022-619 00 49
Mobile Phone: 0501-27 29 55

Sales Russia
EMCG Material Handling
Equipment
Moscow
Tel: 095-795-2400
FAX: 095-795-2475
Email: emcg@dol.ru

Cascade Japan Ltd.
5-5-41,
Torikai Kami
Settsu, Osaka
Japan, 566
Tel: 81-726-53-3490
FAX: 81-726-53-3497

Cascade Korea
108B Namdong Ind. Complex
658-3 Gojan-Dong
Namdong-Gu
Inchon, 405-310 Korea
Tel: 82-32-821-2051
FAX: 82-32-821-2055

Cascade Australia
1445 Ipswich Road
Rocklea, QLD 4106
Australia
Tel: 1-800227-223
FAX: (07) 3373-7333

Cascade New Zealand
15 Ra Ora Drive
East Tamaki, Auckland
New Zealand
Tel: 9-273-9136
FAX: 9-273-9137

Cascade-Xiamen
No. 668 Yangguang Rd.
Xinyang Industrial Zone
Haicang, Xiamen City
Fujian Province
P.R. China 361026
Tel: 86-592-651-2500
FAX: 86-592-651-2571

**Cascade (Singapore)
Trading Co.**
Four Seasons Park
Autumn Block - Apt. 1802
12 Cuscaden Walk
Singapore
Tel: 65-834-1935
FAX: 65-834-1936

