

# **P**ARTS MANUAL

---

## ***100D Paper Roll Clamp***

***This manual contains standard production  
Serial Numbers***

682765 through 682779

Special Engineered Options are not included.

***Manual Number 223033***

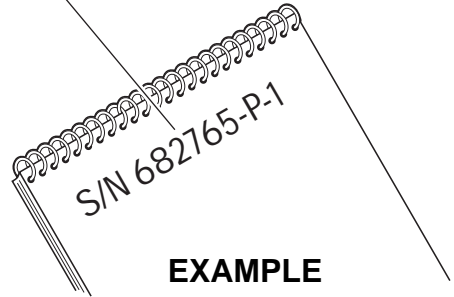
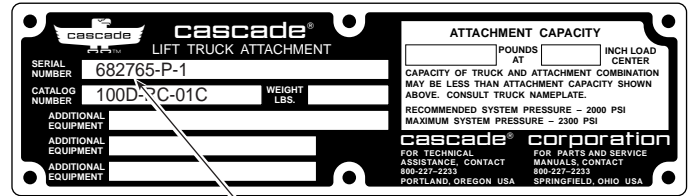
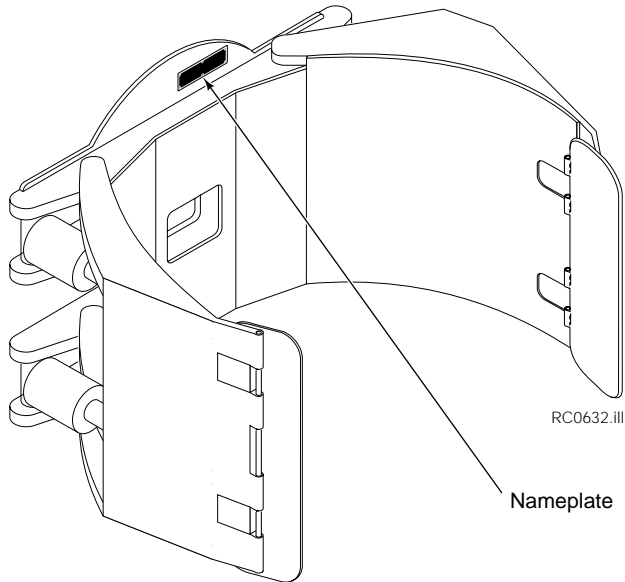
**cascade<sup>®</sup>**

Cascade is a Registered Trademark of Cascade Corporation

# About This Manual

## Introduction

This manual shows the parts breakdown for standard production Cascade 100D Pivot Arm Roll Clamp. Locate the nameplate attached to the right front face of the baseplate. If the nameplate is missing, all necessary information is stamped into the frame at the same location. This number must be used when ordering replacement parts for this product.



## Ordering Parts

**Customers** – Cascade parts and service literature is available through authorized lift truck dealers. To place an order, contact the lift truck dealer of your choice.

**Lift Truck Dealers** – To order parts and service literature contact:

**Cascade Parts Sales**  
2501 Sheridan Avenue  
Springfield, OH 45505  
Telephone: 888-CASCADE (227-2233)  
FAX: 888-329-0234



**WARNING:** For safety of yourself and others, DO NOT install the parts shown in this manual unless you have thoroughly reviewed the appropriate Service Manual.

# Serial Number Index

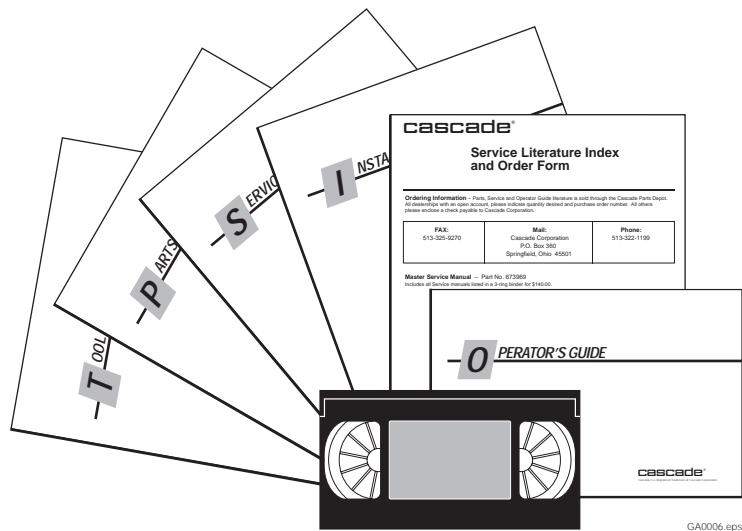
Serial Number	Model	Base Unit Page	Clamp Components Page	Cylinder Page	Arm Group Page	Mounting Group Page
682765	100D	2	6	9, 11	13, 14	16
682766	100D	2	6	9, 11	13, 14	15
682767	100D	2	6	9, 11	13, 14	–
682768	100D	2	6	9, 12	13, 14	16
682769	100D	2	6	9, 12	13, 14	15
682770	100D	2	6	9, 12	13, 14	–
682771	100D	1	5	8, 10	13, 14	16
682772	100D	1	5	8, 10	13, 14	15
682773	100D	1	5	8, 10	13, 14	–
682774	100D	2	6	9, 11	13, 14	16
682775	100D	2	6	9, 11	13, 14	15
682776	100D	2	6	9, 12	13, 14	16
682777	100D	2	6	9, 12	13, 14	15
682778	100D	1	5	8, 10	13, 14	16
682779	100D	1	5	8, 10	13, 14	15

# Safety Decals

RC0631.ill

REF	QTY	PART NO.	DESCRIPTION
1	4	665595	No Hand Hold Decal
2	6	656038	No Hand Hold Decal
3	4	679150	No Step Decal
4	2	660269	Short Arm Decal

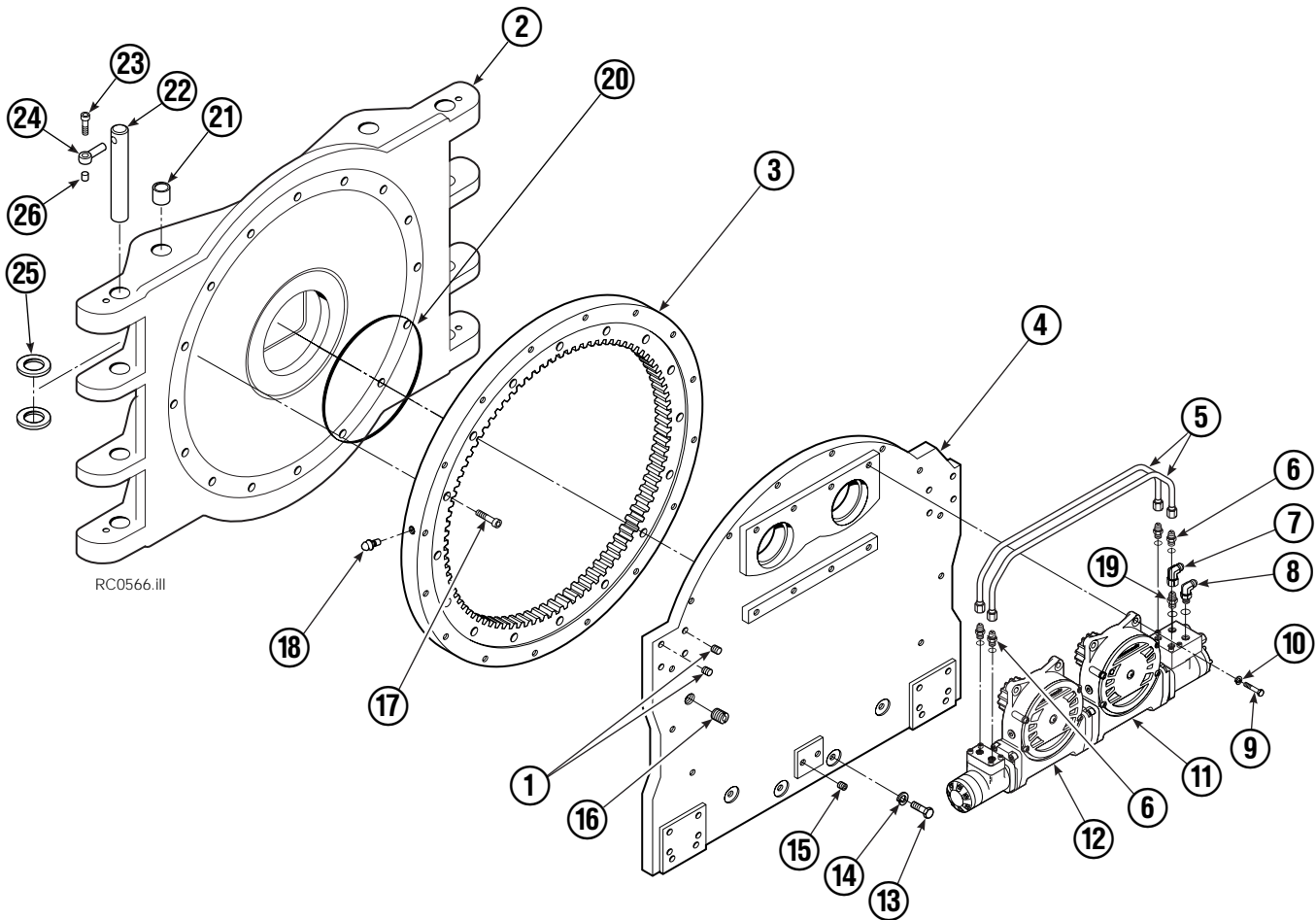
# Publications



PART NO.	DESCRIPTION
223033	Parts Manual
675561	Service Manual
660422	Operators Guide
680664	Servicing Cascade Cylinders-VHS
679929	Tool Catalog
673964	Literature Index Order Form

# Base Unit

## 60 in. Maximum Roll Diameter



100D							
REF	QTY	PART NO.	DESCRIPTION	REF	QTY	PART NO.	DESCRIPTION
		682764	Base Unit Group	14	16	6294	Lockwasher
1	18	631428	Plug ▲	15	2	631427	Plug
2	1	672296	Faceplate - 52 in. wide	16	1	6612	Plug
3	1	670782	Bearing Assembly	17	16	607105	Capscrew, 3/4 NC x 2.00 GR8
4	1	682392	Baseplate	18	1	7401	Grease Fitting
5	2	670786	Tube Assembly	19	1	601377	Fitting, 8-8
6	4	662187	Fitting, 8-6	20	1	670931	Seal
7	1	605761	Fitting, 8-8	21	8	675005	Bushing
8	1	601250	Fitting, 8-8	22	4	659375	Pin
9	8	661742	Capscrew, 1/2 NC x 1.25 GR5	23	4	651090	Capscrew, 5/8 NC x 1.25
10	8	6290	Lockwasher	24	4	659376	Eyebolt
11	1	670558	Drive Group - RH ●	25	8	659377	Shim
12	1	670562	Drive Group - LH ●	26	4	665714	Sleeve
13	16	643574	Capscrew, 3/4 NC x 2.25 GR8			672483	Bearing Service Kit

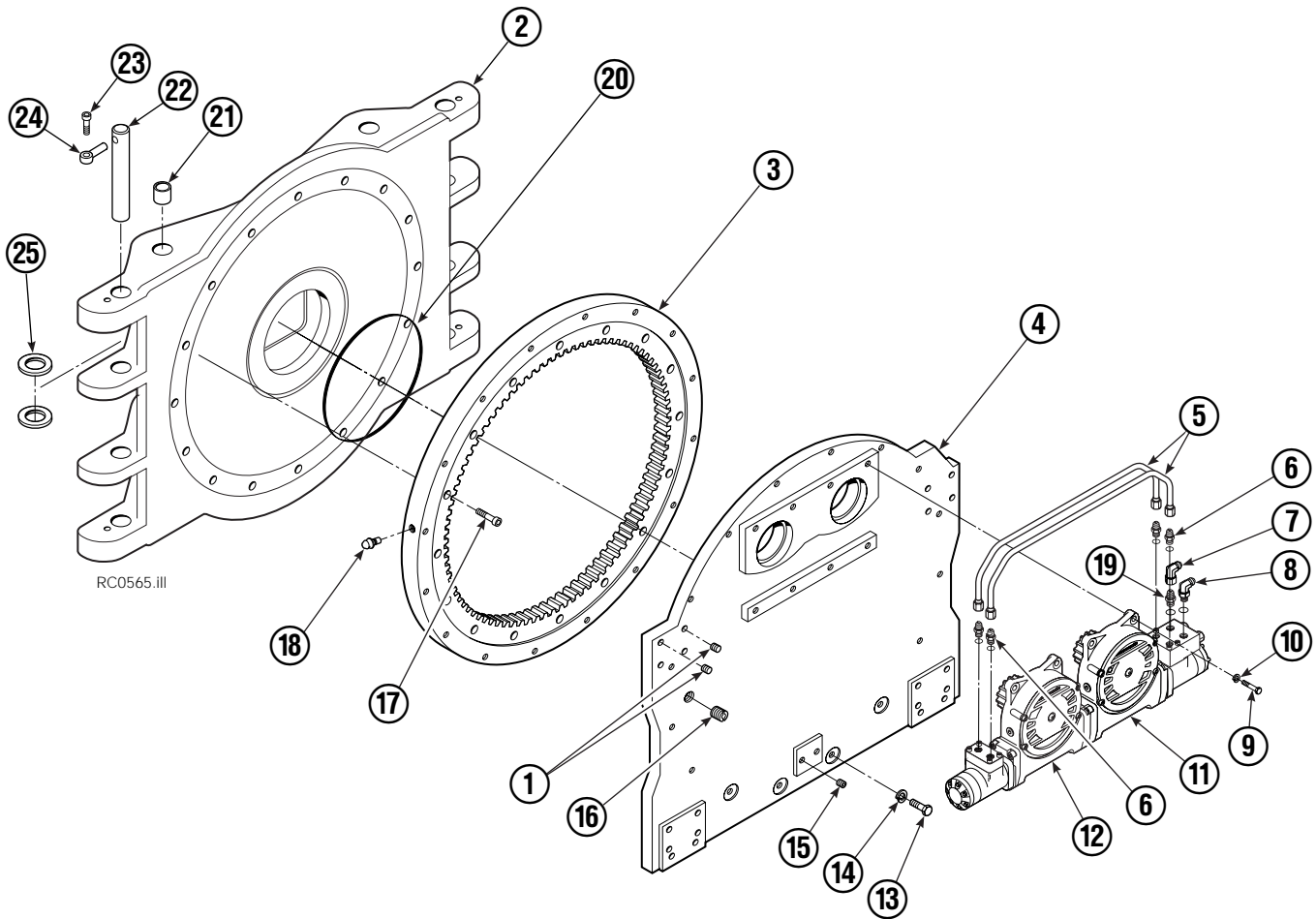
▲ Plugs are used as dust covers for bearing assembly.

● See Drive Group page for parts breakdown.

Reference: Common Parts Group 670781, SK-5382.

# Base Unit

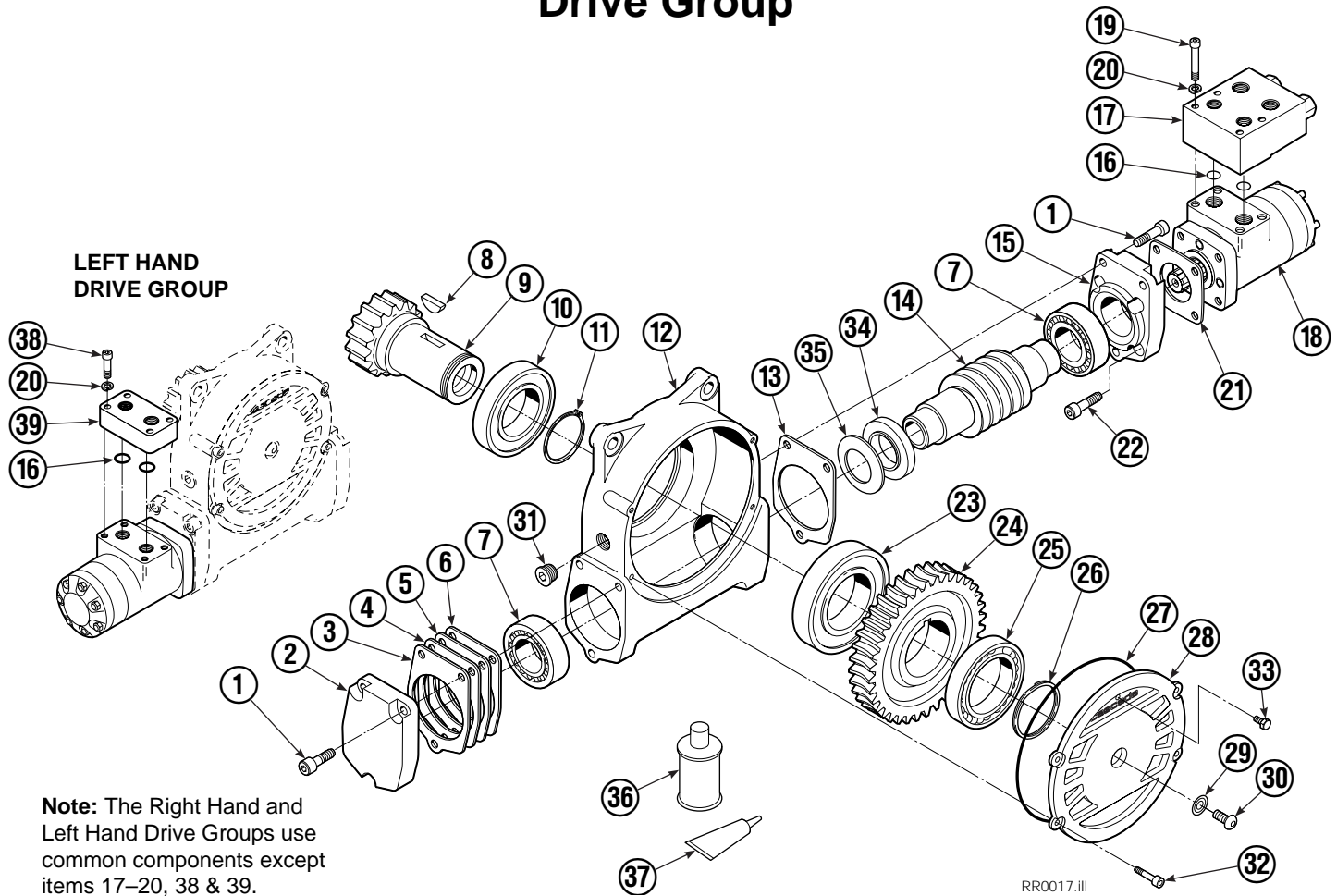
## 72 in. and 84 in. Maximum Roll Diameter



100D							
REF	QTY	PART NO.	DESCRIPTION	REF	QTY	PART NO.	DESCRIPTION
		682763	Base Unit Group	14	16	6294	Lockwasher
1	18	631428	Plug ▲	15	2	631427	Plug
2	1	672295	Faceplate – 60 in. wide	16	1	6612	Plug
3	1	670782	Bearing Assembly	17	16	607105	Capscrew, 3/4 NC x 2.00 GR8
4	1	682392	Baseplate	18	1	7401	Grease Fitting
5	2	670786	Tube Assembly	19	1	601377	Fitting, 8-8
6	4	662187	Fitting, 8-6	20	1	670931	Seal
7	1	605761	Fitting, 8-8	21	8	675005	Bushing
8	1	601250	Fitting, 8-8	22	4	659375	Pin
9	8	661742	Capscrew, 1/2 NC x 1.25 GR5	23	4	651090	Capscrew, 5/8 NC x 1.25
10	8	6290	Lockwasher	24	4	659376	Eyebolt
11	1	670558	Drive Group – RH ●	25	8	659377	Shim
12	1	670562	Drive Group – LH ●			672483	Bearing Service Kit
13	16	643574	Capscrew, 3/4 NC x 2.25 GR8				

▲ Plugs are used as dust covers for bearing assembly.  
 ● See Drive Group page for parts breakdown.  
 Reference: Common Parts Group 670781, SK-5382.

# Drive Group

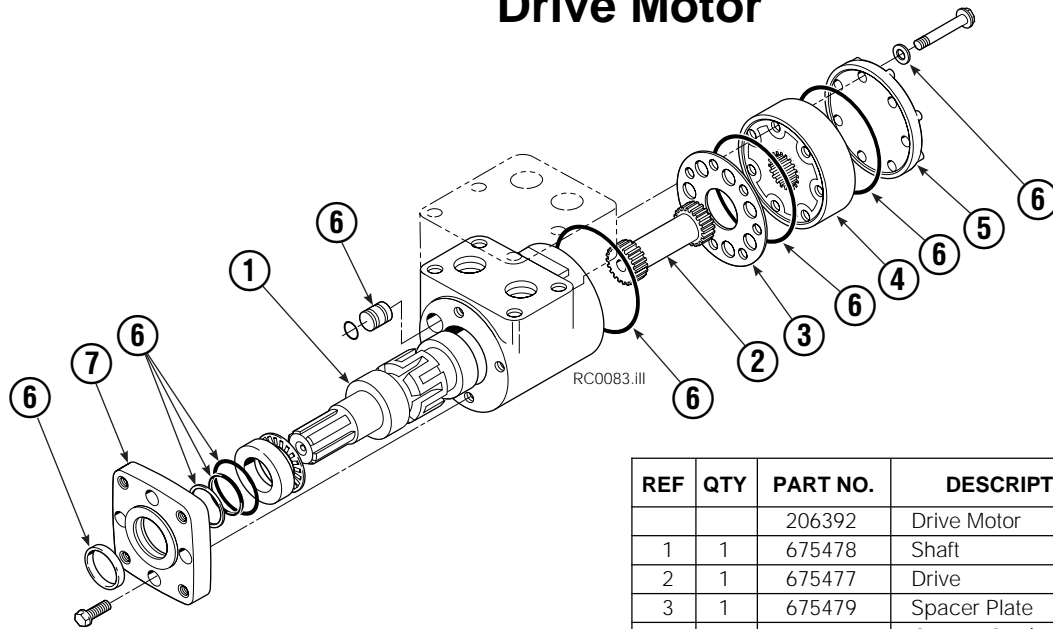


**Note:** The Right Hand and Left Hand Drive Groups use common components except items 17–20, 38 & 39.

REF	QTY	PART NO.	DESCRIPTION	REF	QTY	PART NO.	DESCRIPTION
		670558	Drive Group – RH	21	1	670575	Gasket
		670562	Drive Group – LH	22	4	4468	Capscrew, 3/8 NC x .75 GR8
	■	673896	Drive Box Service Kit – RH	23	1	670580	Bearing
	■	673867	Drive Box Service Kit – LH	24	1	676448	Worm Gear
1	6	607071	Capscrew, 7/16 NC x 1.0 GR8	25	1	670581	Bearing
2	1	676855	Cover	26	1	7214	Snap Ring
3	●	674513	Shim – .005 in. (blue)	27	1	643423	O-Ring
4	●	670574	Shim – .010 in. (brown)	28	1	670567	Cover
5	●	671757	Shim – .015 in. (pink)	29	1	603680	Seal
6	●	671758	Shim – .020 in. (yellow)	30	1	4874	Capscrew, 3/8 NC x .50 GR8
7	2	670579	Bearing	31	1	6609	Plug
8	1	670582	Key	32	4	671535	Capscrew, 5/16 NC x .75
9	1	670559	Pinion	33	1	644010	Relief Fitting
10	1	670560	Bearing	34	1	672448	Washer
11	1	3160	Snap Ring	35	1	672449	Washer Spring
12	1	670565	Housing	36	1	656300	Gear Box Lube – 48 oz.
13	1	686465	Gasket	37	1	668184	Sealant
14	1	676447	Worm	38	4	607054	Capscrew, 5/16 NC x .75 GR8
15	1	670570	Adapter	39	1	670563	Manifold – L.H. Drive only
16	2	2705	Seal			670578	Shim Service Kit (items 4,5,6 & 37)
◆17	1	670561	Check Valve – RH only			671583	Bearing Service Kit (items 23 & 37)
◆18	1	206392	Drive Motor			671584	Bearing Service Kit (items 4–7)
19	4	607060	Capscrew, 5/16 NC x 2.00 GR8			676449	Service Kit, (items 4–6,14,24, & 37)
20	4	6444	Lockwasher			206394	Drive Motor Service Kit (items 4,16,18,21 & 37)

- Includes all items except 17–20, 38 & 39.
- Quantity as required.
- ◆ See Drive Motor page for parts breakdown.

## Drive Motor



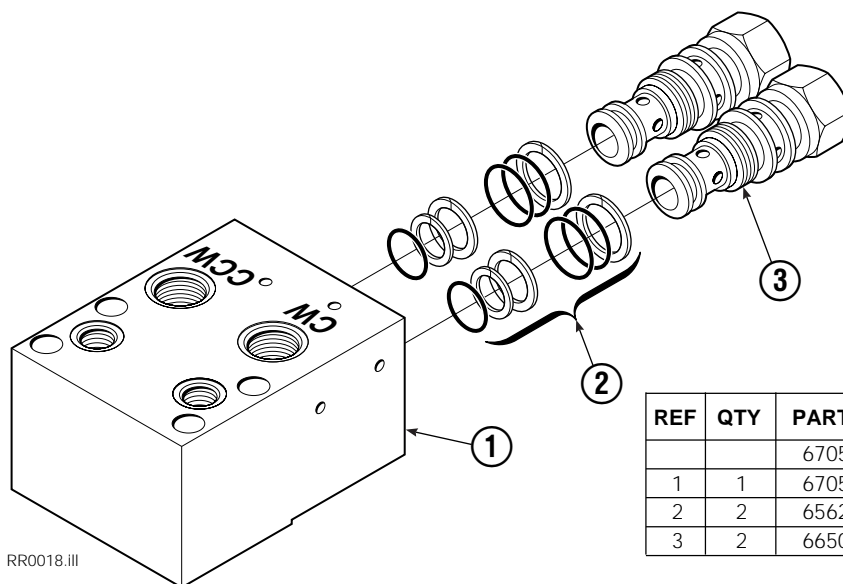
REF	QTY	PART NO.	DESCRIPTION
		206392	Drive Motor
1	1	675478	Shaft
2	1	675477	Drive
3	1	675479	Spacer Plate
■ 4	1	675480	Gerotor Set (101-1768-007)
■ 4	1	685075	Gerotor Set (101-1768-009)
5	1	675482	End Cap
● 6	1	206405	Service Kit
■ 7	1	685089	Flange (101-1768-007)
■ 7	1	685090	Flange (101-1768-009)

Cascade provides service replacement parts for the listed parts only. Due to cost, if others parts need replacement, the complete drive motor should be replaced.

■ See Nameplate under valve for correct part number of Gerotor Set and Flange.

● Compatible with water glycol based hydraulic fluids.

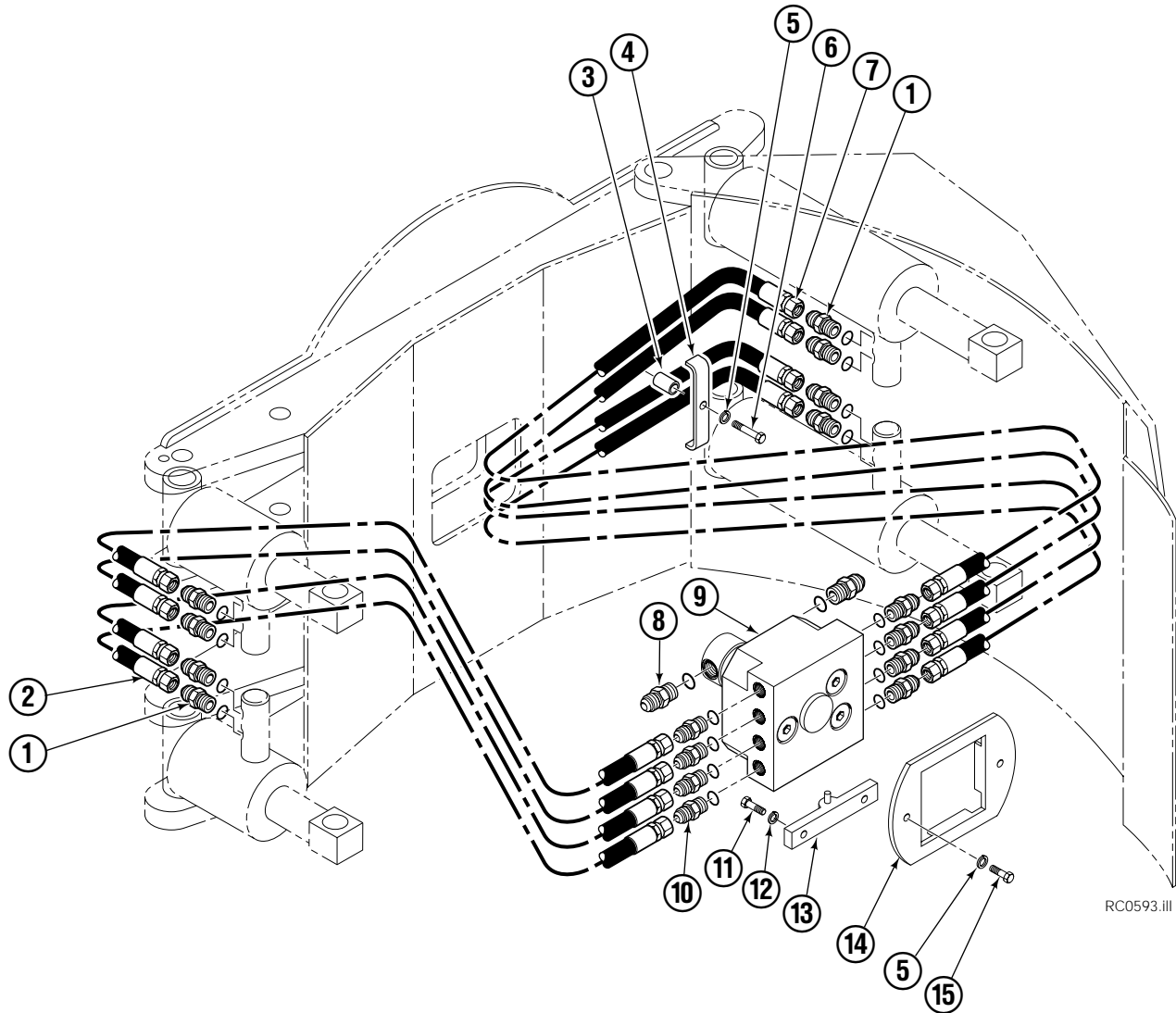
## Check Valve



REF	QTY	PART NO.	DESCRIPTION
		670561	Check Valve Assembly
1	1	670583	Body
2	2	656223	Seal Kit
3	2	665097	Check Valve

# Clamp Components

## 60 in. Maximum Roll Diameter



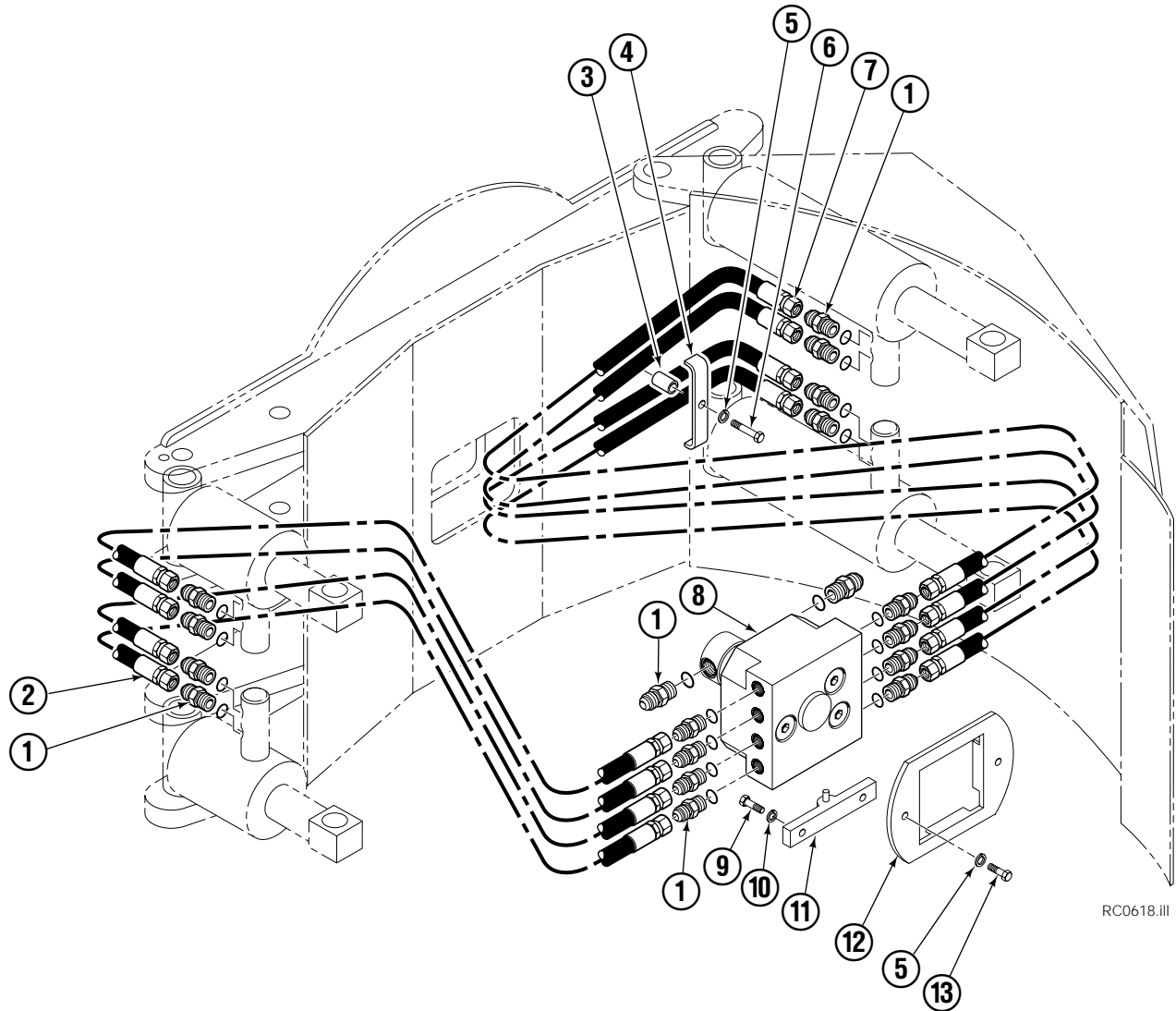
RC0593.III

100D			
REF	QTY	PART NO.	DESCRIPTION
		672306	Clamp Components
1	8	604511	Fitting, 6-6
2	4	645619	Hose
3	2	645598	Spacer
4	2	645597	Clamp
5	4	6288	Lockwasher
6	2	3605	Capscrew, 3/8 NC x 1.75
7	4	645618	Hose
8	1	659637	Revolving Connection ▲
10	8	611288	Fitting, 8-8
11	4	4470	Capscrew, 3/8 NC x .87 GR8
12	4	6372	Lockwasher
13	2	659639	Bar Keeper
14	1	659638	Retainer
15	2	3599	Capscrew, 3/8 NC x .50

▲ See Revolving Connection page for parts breakdown.  
Reference: SK-4786.

# Clamp Components

## 72 in. and 84 in. Maximum Roll Diameter

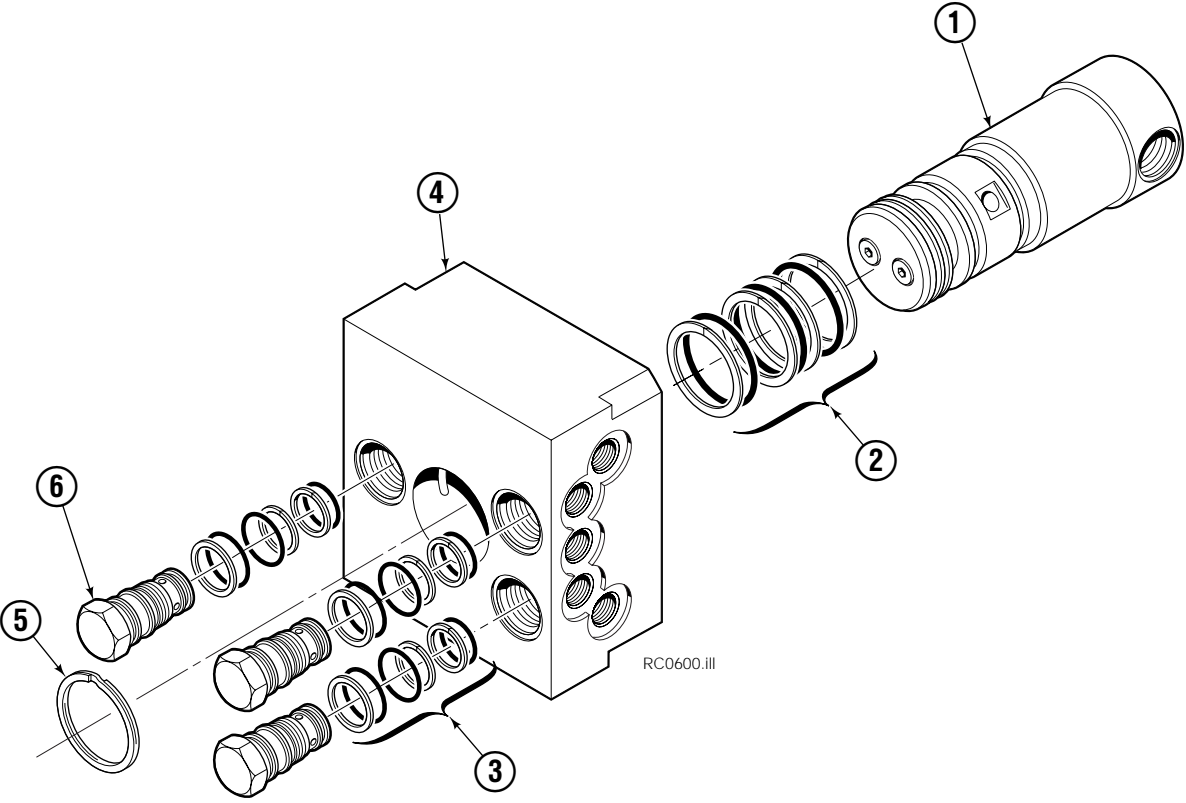


RC0618.III

<b>100D</b>			
REF	QTY	PART NO.	DESCRIPTION
		672305	Clamp Components
1	18	601377	Fitting, 8-8
2	4	646010	Hose
3	2	659636	Spacer
4	2	659641	Clamp
5	4	6288	Lockwasher
6	2	3606	Capscrew, 3/8 NC x 1.75
7	4	647408	Hose
8	1	659637	Revolving Connection ▲
9	4	4470	Capscrew, 3/8 NC x .87 GR8
10	4	6372	Lockwasher
11	2	659639	Bar Keeper
12	1	659638	Retainer
13	2	3599	Capscrew, 3/8 NC x .50

▲ See Revolving Connection page for parts breakdown.  
Reference: SK-4786.

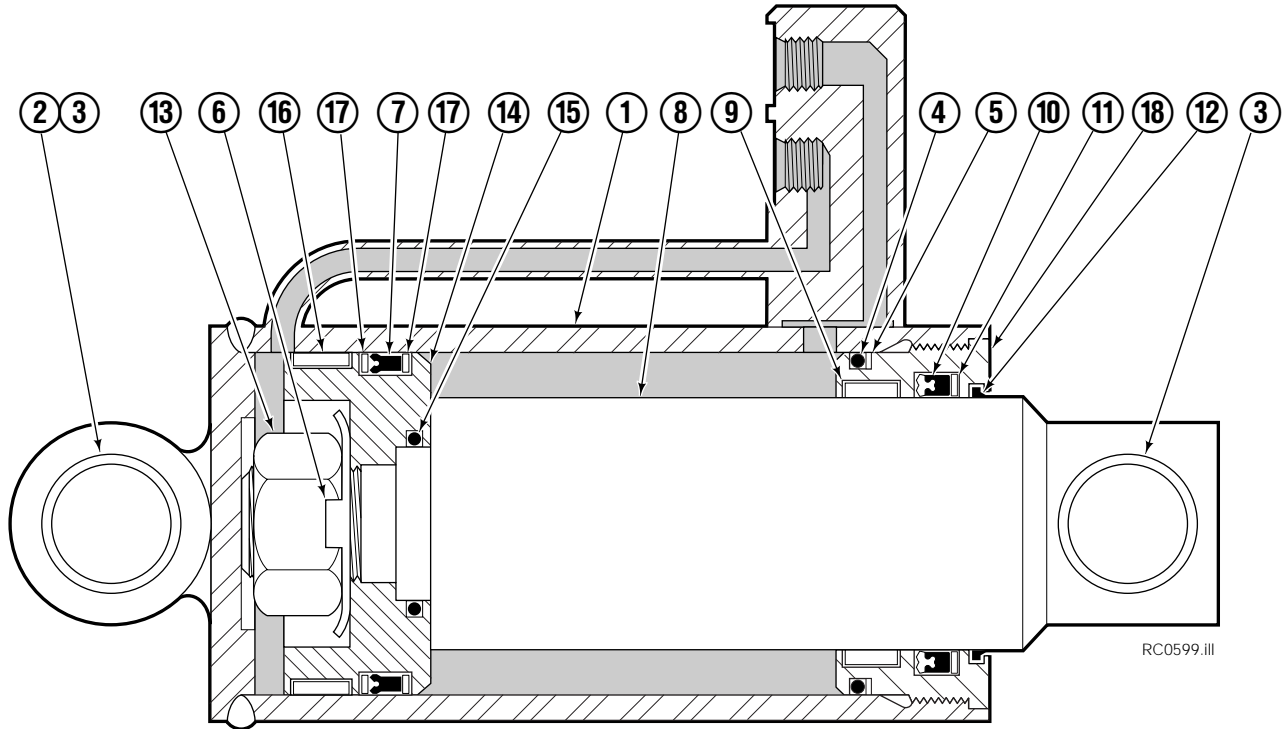
# Revolving Connection



<b>100D</b>			
REF	QTY	PART NO.	DESCRIPTION
		659637	Revolving Connection
1	1	662026	Shaft
2	1	651876	Shaft Service Kit
3	3	656223	Service Kit
4	1	659704	Body
5	1	7205	Snap Ring
6	3	661816	Valve Cartridge

# Cylinder – Long Arm

## 60 in. Maximum Roll Diameter



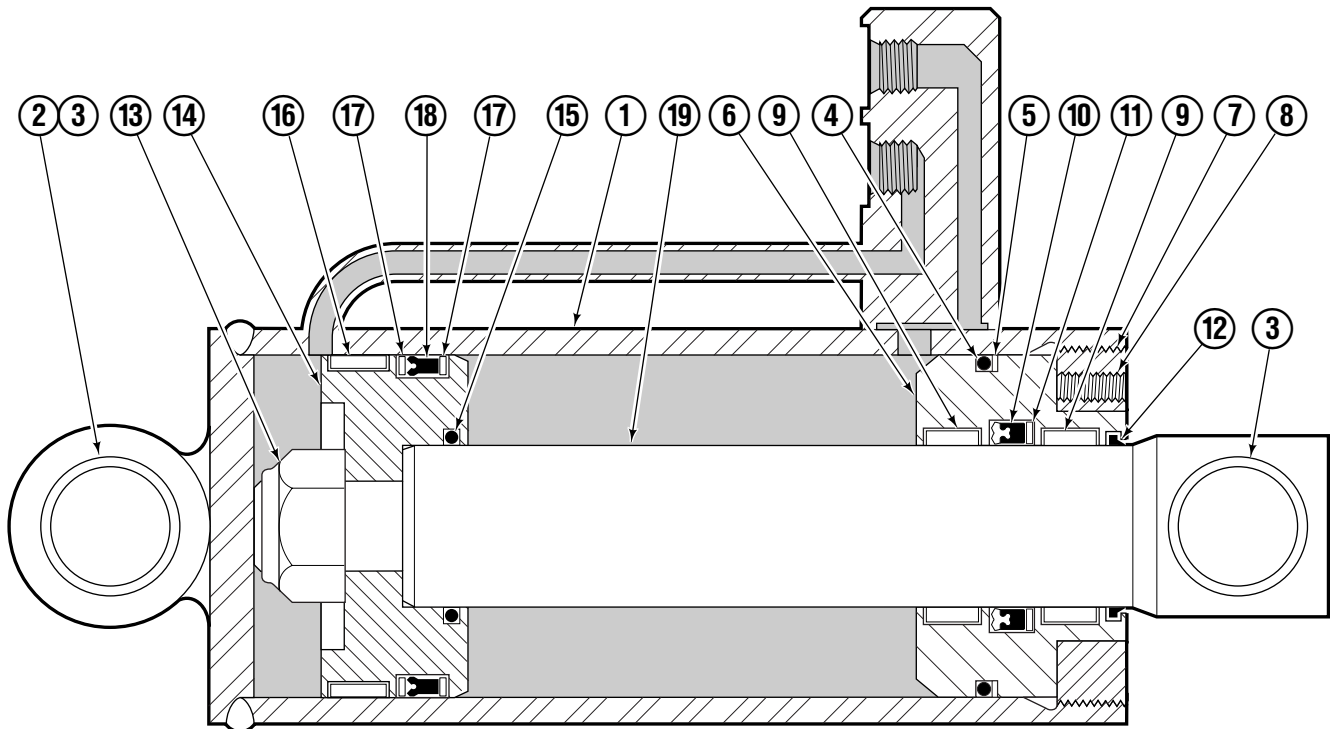
RC0599.iii

100D							
REF	QTY	PART NO.	DESCRIPTION	REF	QTY	PART NO.	DESCRIPTION
		665900	Cylinder Assembly	11	1	638253	Nylon Ring ▲
1	1	665901	Shell	12	1	636861	Wiper ▲
		659397	Sleeve	13	1	562060	Nut
3	4	652439	Bushing	14	1	639996	Piston
4	1	2809	O-Ring ▲	15	1	2787	O-Ring ▲
5	1	615152	Back-Up Ring	16	1	636956	Bearing ▲
6	1	643172	Keeper ▲	17	2	636692	Nylon Ring ▲
7	1	557449	Seal ▲	18	1	645584	Retainer
8	1	665904	Rod	19	1	669245	Seal Loader ▲
9	2	636903	Bearing ▲			645906	Service Kit
10	1	553525	Seal ▲				

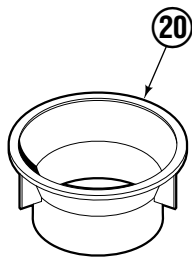
▲ Included in Service Kit 645906.

# Cylinder – Long Arm

## 72 in. and 84 in. Maximum Roll Diameter



RC0628.iii

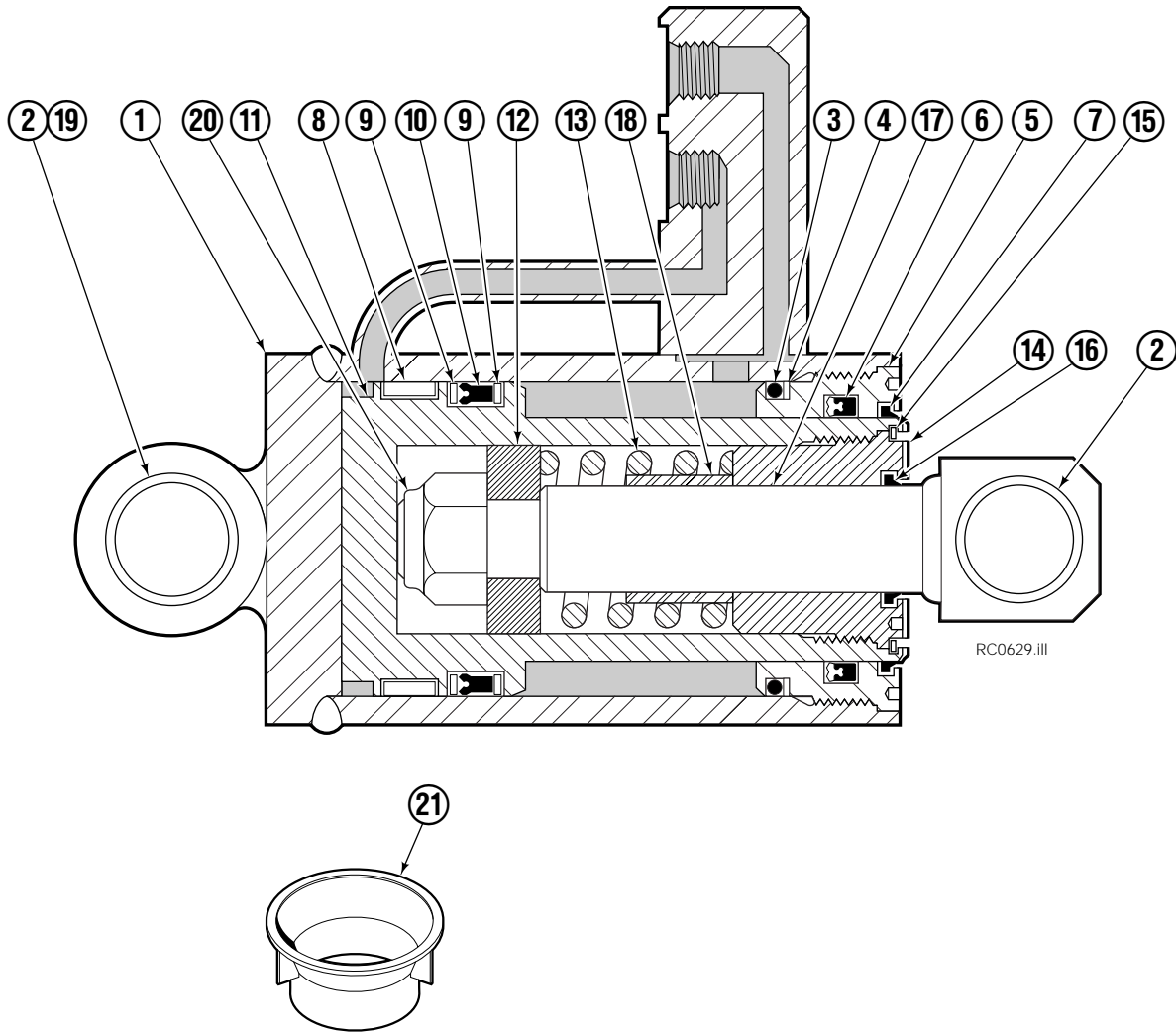


100D							
REF	QTY	PART NO.	DESCRIPTION	REF	QTY	PART NO.	DESCRIPTION
		659430	Cylinder Assembly	11	1	637565	Nylon Ring ▲
1	1	659432	Shell	12	1	629608	Wiper ▲
2	1	659397	Sleeve			5887	Nut
3	4	652439	Bushing	14	1	659431	Piston
4	1	2755	O-Ring ▲	15	1	2791	O-Ring ▲
5	1	615219	Back-Up Ring ▲	16	1	637853	Bearing ▲
6	1	659438	Retainer	17	2	637562	Nylon Ring ▲
7	1	659439	Threaded Washer	18	1	557570	Seal ▲
8	1	5010	Setscrew	19	1	659437	Rod
9	2	636899	Bearing ▲	20	1	669511	Seal Loader ▲
10	1	553521	Seal ▲			659951	Service Kit

▲ Included in Service Kit 659951.

# Cylinder – Short Arm

## 60 in. Maximum Roll Diameter

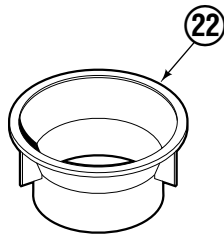
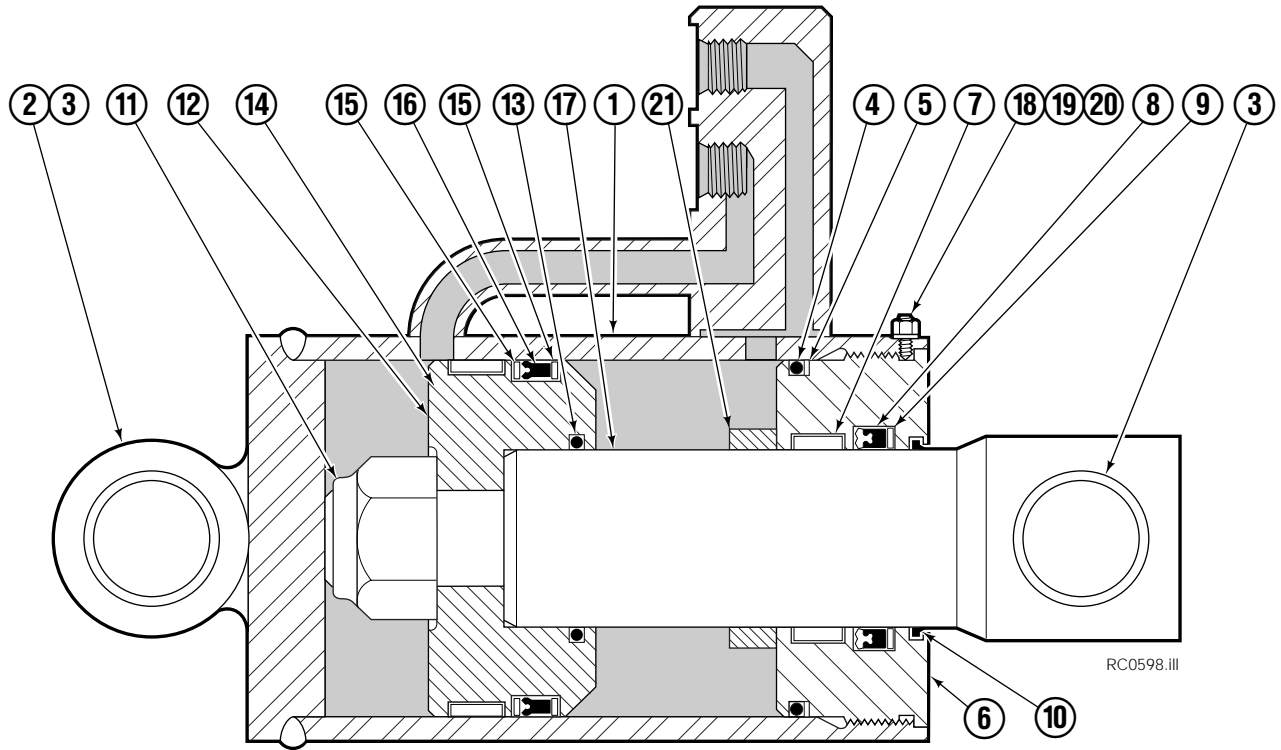


<b>100D</b>							
REF	QTY	PART NO.	DESCRIPTION	REF	QTY	PART NO.	DESCRIPTION
		665934	Cylinder Assembly	12	1	660044	Piston
1	1	665935	Shell	13	1	645574	Spring
2	4	652439	Bushing	14	1	660048	Retainer
3	1	2805	O-Ring ▲	15	1	659690	Snap Ring
4	1	615148	Back-Up Ring ▲	16	1	644691	Wiper Ring ▲
5	1	660081	Retainer	17	1	665938	Rod
6	1	553525	Seal ▲	18	1	660082	Spacer
7	1	636861	Wiper Ring ▲	19	1	659397	Sleeve
8	1	636954	Bearing ▲	20	1	5884	Nut
9	2	660953	Nylon Ring ▲	21	1	669244	Seal Loader ▲
10	1	557448	Seal ▲			660086	Service Kit
11	1	660078	Plunger Shell				

▲ Included in Service Kit 660086.

# Cylinder – Short Arm

## 72 in. Maximum Roll Diameter

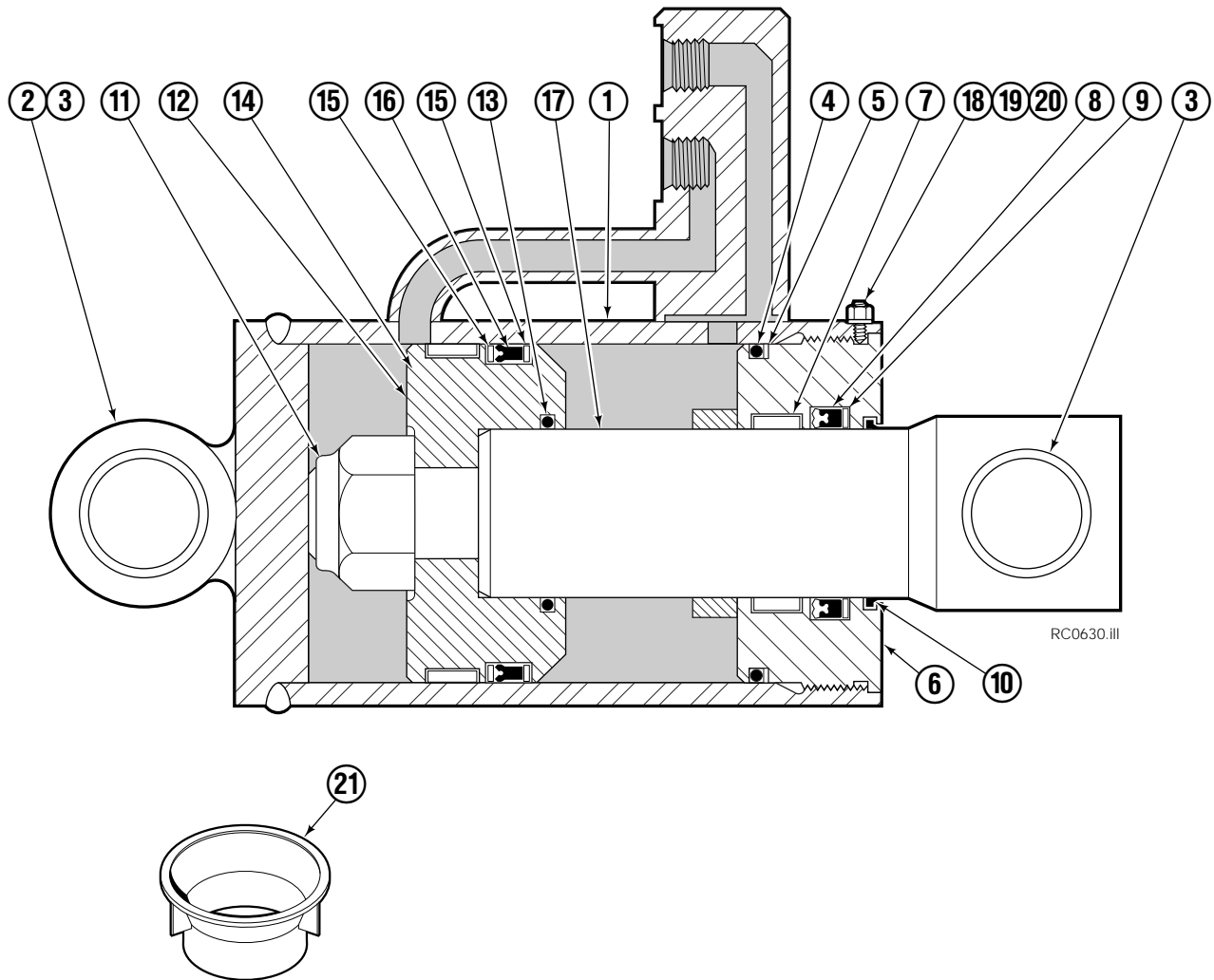


100D							
REF	QTY	PART NO.	DESCRIPTION	REF	QTY	PART NO.	DESCRIPTION
		659440	Cylinder Assembly	12	1	659396	Piston
1	1	659387	Shell	13	1	2791	O-Ring ▲
2	1	659397	Sleeve	14	1	636956	Bearing ▲
3	4	652439	Bushing	15	2	636692	Nylon Ring ▲
4	1	2809	O-Ring ▲	16	1	555730	Seal ▲
5	1	615152	Back-Up Ring ▲	17	1	659394	Rod
6	1	658111	Retainer	18	1	5204	Setscrew
7	1	636899	Bearing ▲	19	1	6287	Lockwasher
8	1	553521	Seal ▲	20	1	5927	Jam Nut
9	1	637565	Nylon Ring ▲	21	1	665329	Spacer
10	1	629608	Wiper ▲	22	1	669245	Seal Loader ▲
11	1	5887	Nut			659952	Service Kit

▲ Included in Service Kit 659952.

# Cylinder – Short Arm

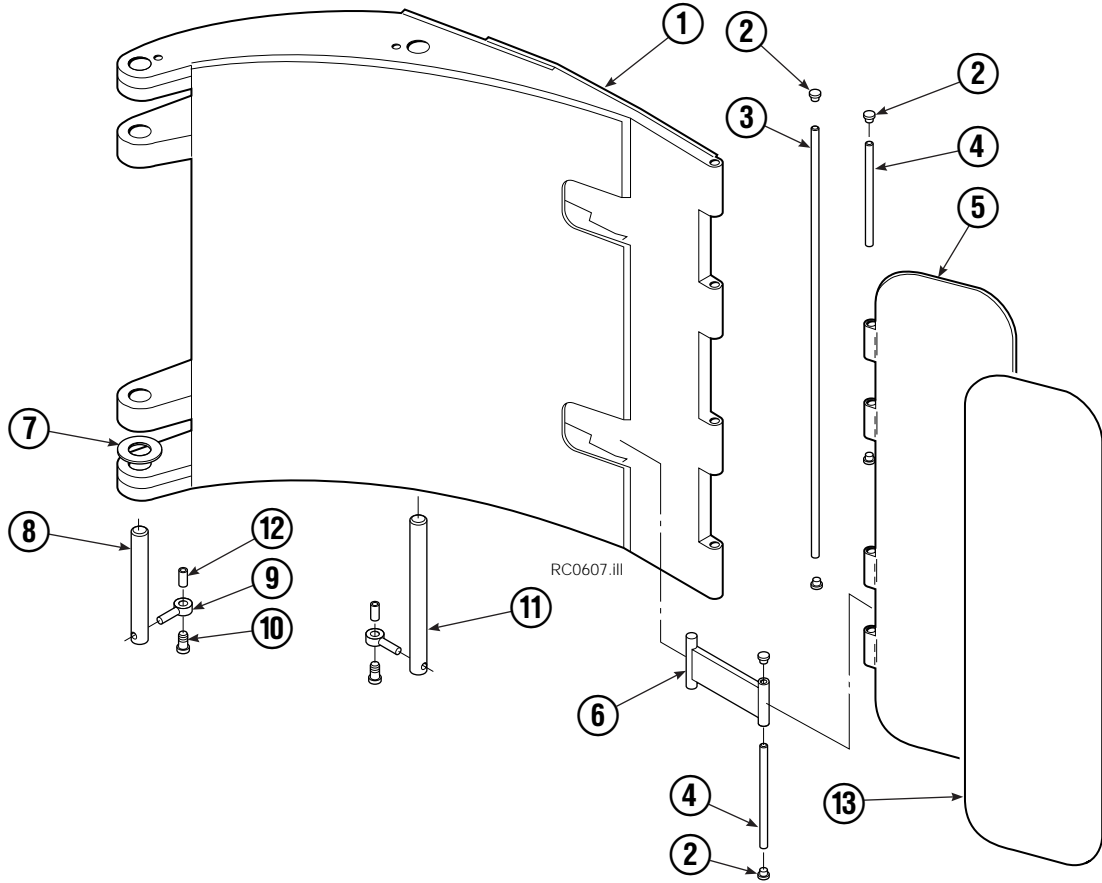
## 84 in. Maximum Roll Diameter



100D							
REF	QTY	PART NO.	DESCRIPTION	REF	QTY	PART NO.	DESCRIPTION
		659386	Cylinder Assembly	12	1	659396	Piston
1	1	659387	Shell	13	1	2791	O-Ring ▲
2	1	659397	Sleeve	14	1	636956	Bearing ▲
3	4	652439	Bushing	15	2	636692	Nylon Ring ▲
4	1	2809	O-Ring ▲	16	1	557449	Seal ▲
5	1	615152	Back-Up Ring ▲	17	1	659394	Rod
6	1	658111	Retainer	18	1	5204	Setscrew
7	1	636894	Bearing ▲	19	1	6287	Lockwasher
8	1	553521	Seal ▲	20	1	5927	Jam Nut
9	1	637565	Nylon Ring ▲	21	1	669245	Seal Loader ▲
10	1	629608	Wiper ▲			659952	Service Kit
11	1	5887	Nut				

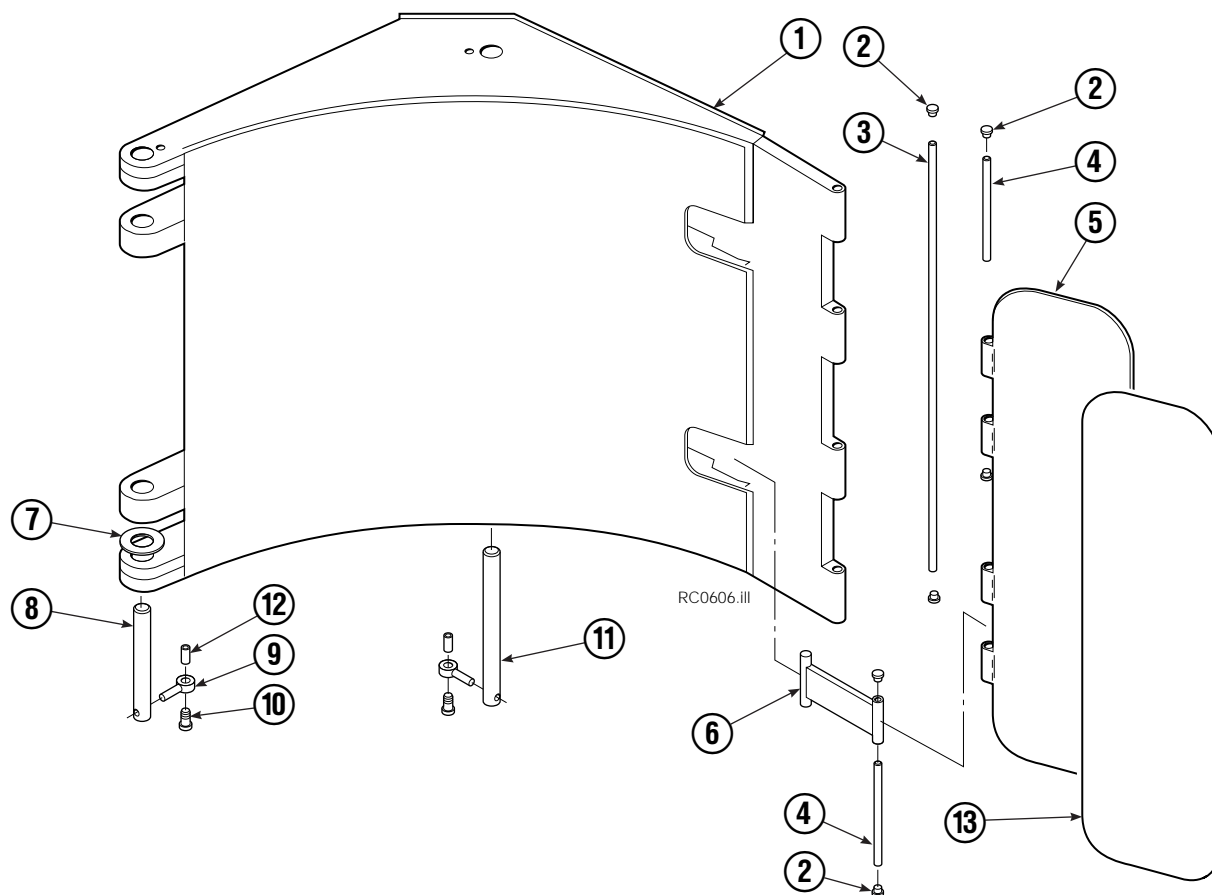
▲ Included in Service Kit 659952.

# Short Arm Assembly



100D					
REF	QTY	Maximum Roll Diameter			DESCRIPTION
		60 in. PART NO.	72 in. PART NO.	84 in. PART NO.	
1	1	665954	659609	659520	Arm Assembly
		665961	659611	659462	Arm
2	6	647175	647175	647175	Plug
3	1	659517	659517	659517	Pin
4	2	659518	659518	659518	Pin
5	1	667883	659487	659487	Contact Plate
6	2	665985	659620	659513	Link
7	2	659533	659533	659533	Shim
8	2	569522	659522	659522	Pin
9	4	659376	659376	659376	Eye Bolt
10	4	651090	651090	651090	Capscrew, 5/8 NC x 1.25
11	2	659521	659521	659521	Pin
12	4	665714	-	-	Sleeve
13	1	645502	659505	659505	Replacement Algrip Surface

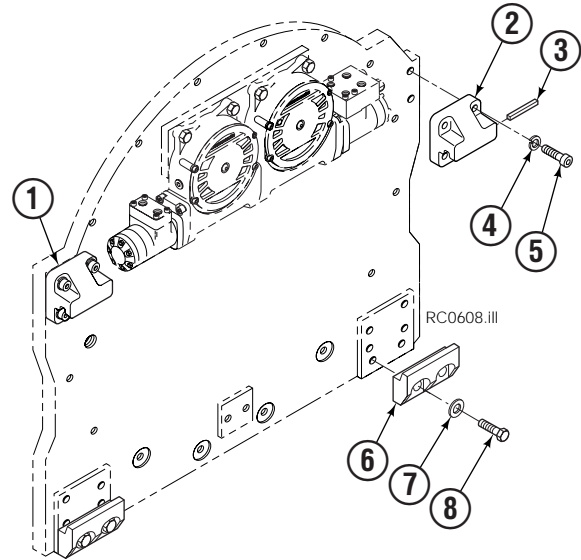
# Long Arm Assembly



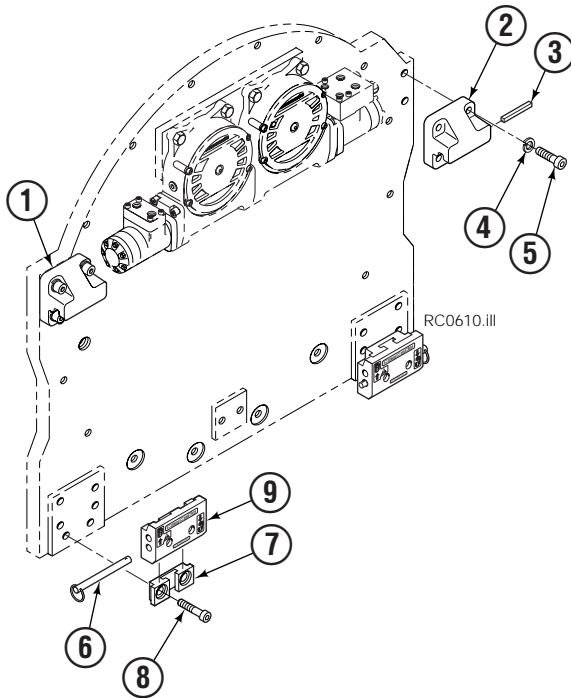
100D					
REF	QTY	Maximum Roll Diameter			DESCRIPTION
		60 in. PART NO.	72 in. PART NO.	84 in. PART NO.	
1	1	665943	659598	659507	Arm Assembly
		665944	659600	659509	Arm
2	6	647175	647175	647175	Plug
3	1	659517	659517	659517	Pin
4	2	659518	659518	659518	Pin
5	1	667883	659487	659487	Contact Plate
6	2	665985	659620	659513	Link
7	2	659533	659533	659533	Shim
8	2	569522	659522	659522	Pin
9	4	659376	659376	659376	Eye Bolt
10	4	651090	651090	651090	Capscrew, 5/8 NC x 1.25
11	2	659521	659521	659521	Pin
12	4	665714	-	-	Sleeve
13	1	645502	659505	659505	Replacement Algrip Surface

# Bolt-On Mounting Group

100D Class IV, 4°			
REF	QTY	PART NO.	DESCRIPTION
		682383	Mounting Group
1	1	670690	Upper Hook – LH
2	1	670691	Upper Hook – RH
3	1	670704	Stop Kit
4	8	6448	Lockwasher, 3/4 in. ID
5	8	607104	Capscrew, 3/4 NC x 1.75
6	2	679832	Lower Hook
7	4	670692	Washer, 3/4 in. ID
8	4	670693	Capscrew, 3/4 NC x 1.75



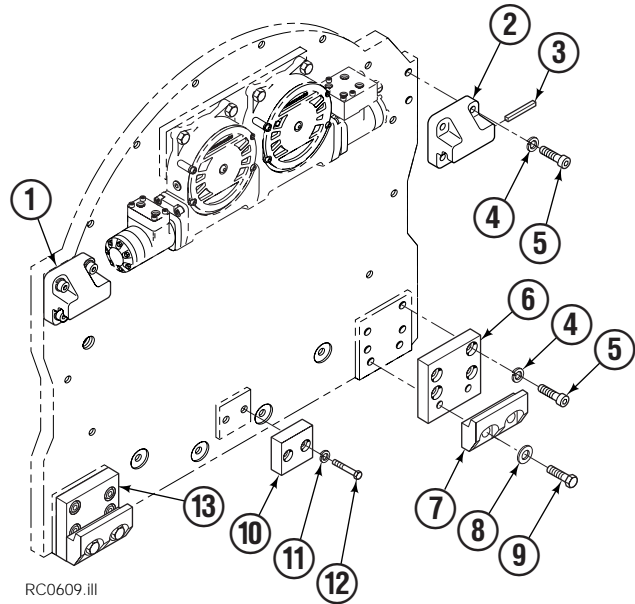
# Quick-Change Mounting Group



100D Class IV, 4°			
REF	QTY	PART NO.	DESCRIPTION
		682385	Mounting Group
1	1	670690	Upper Hook – LH
2	1	670691	Upper Hook – RH
3	1	670704	Stop Kit
4	14	6448	Lockwasher, 3/4 in. ID
5	8	607104	Capscrew, 3/4 NC x 1.75
6	2	679831	Pin
7	2	679830	Guide
8	4	607105	Capscrew, 3/4 NC x 2.00
9	2	679829	Hook

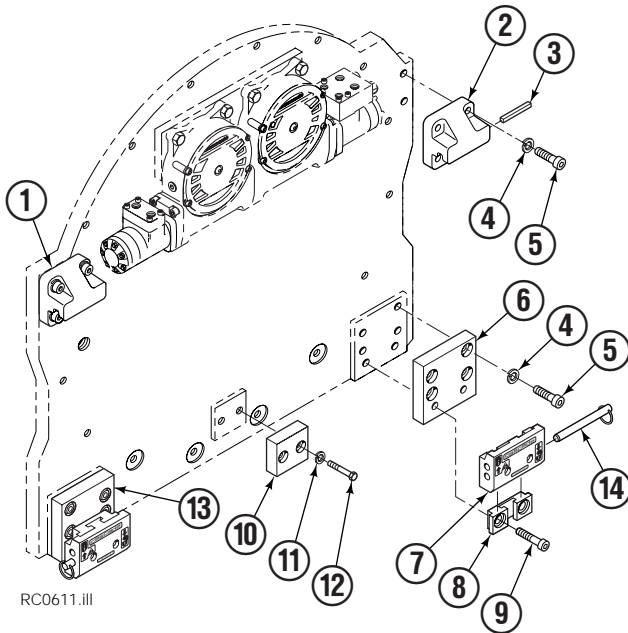
# Bolt-On Mounting Group

100D Class IV, 0°			
REF	QTY	PART NO.	DESCRIPTION
		682384	Mounting Group
1	1	670690	Upper Hook - LH
2	1	670691	Upper Hook - RH
3	1	670704	Stop Kit
4	14	6448	Lockwasher, 3/4 in. ID
5	14	607104	Capscrew, 3/4 NC x 1.75
6	1	682665	Adapter Plate - RH
7	2	679832	Lower Hook
8	4	670692	Washer, 3/4 in. ID
9	4	670693	Capscrew, 3/4 NC x 1.75
10	1	670695	Bumper
11	2	6290	Lockwasher, 1/2 in
12	2	3657	Capscrew, 1/2 x 2.00 in.
13	1	682664	Adapter Plate - LH



RC0609.iii

# Quick-Change Mounting Group



RC0611.iii

100D Class IV, 0°			
REF	QTY	PART NO.	DESCRIPTION
		682386	Mounting Group
1	1	670690	Upper Hook - LH
2	1	670691	Upper Hook - RH
3	1	670704	Stop Kit
4	14	6448	Lockwasher, 3/4 in. ID
5	14	607104	Capscrew, 3/4 NC x 1.75
6	1	682665	Adapter Plate - RH
7	2	679829	Hook
8	2	679830	Guide
9	4	607105	Capscrew, 3/4 NC x 2.00
10	1	670695	Bumper
11	2	6290	Lockwasher, 1/2 in
12	2	3657	Capscrew, 1/2 x 2.00 in.
13	1	682664	Adapter Plate - LH
14	2	679831	Pin

# Recommended Spare Parts List

100D Pivot Arm Paper Roll Clamp		
PART NO.	DESCRIPTION	ATTACHMENTS SERVICED
		1-5
	<b>FRAME GROUP</b>	
659377	Shim	4
	<b>ARM GROUP</b>	
659522	Pin	2
	<b>CYLINDER</b>	
■	Short Arm Cylinder Service Kit	2
■	Long Arm Cylinder Service Kit	1
	<b>REVOLVING CONNECTION</b>	
661816	Valve Cartridge	2
656223	Cartridge Service Kit	1
651876	Shaft Service Kit	1
	<b>DRIVE GROUP</b>	
7214	Snap Ring	2
643423	O-Ring	1
206394	Drive Motor Seal Kit	1
668184	Sealant	1
671584	Bearing Service Kit	1
671583	Bearing Service Kit	1
656300	Gear Box Lube	1
	<b>CHECK VALVE</b>	
656223	Seal Kit	1
	<b>MOUNTING – BOLT-ON</b>	
670693	Capscrew	0
679832	Lower Hook	0
	<b>MOUNTING – QUICK-CHANGE</b>	
679831	Pin	2
607105	Capscrew	4
679830	Guide	2
679829	Lower Hook	2
	<b>PAINT</b>	
668209	12 oz. Aerosol Can – Yellow	1
685660	12 oz. Aerosol Can – White	1
209845	12 oz. Aerosol Can – Gray	1
	<b>PUBLICATIONS</b>	
223033	Parts Manual	1
675561	Service Manual	1
660422	Operator's Guide	1
679929	Tool Catalog	1
677553	Driver Training Video	1

■ See specific parts page for part number.





**Do you have questions you need answered right now?** Call your nearest Cascade Parts Department.

**Cascade Corporation**  
2501 Sheridan Avenue  
Springfield, OH 45505  
Tel: 888-CASCADE (227-2233)  
FAX: 888-329-0234

**Cascade Canada Inc.**  
5570 Timberlea Blvd.  
Mississauga, Ontario  
Canada L4W-4M6  
Tel: 905-629-7777  
FAX: 905-629-7785

**Cascade GmbH**  
D-41199 Monchengladbach  
Klosterhofweg 52  
Germany  
Tel: 21-66-602091  
FAX: 21-66-680947

**Cascade Finland**  
01370 Vantas  
Finland  
Tel: 358-0-836-1925  
FAX: 358-0-836-1935

**Cascade N.V.  
European Headquarters**  
P.O. Box 3009  
1300 El Almere  
Damsluisweg 56  
1332 ED Almere  
The Netherlands  
Tel: 31-36-5492911  
FAX: 31-36-5492964

**Cascade N.V.  
Benelux Sales and Service**  
P.O. Box 3009  
1300 El Almere  
Damsluisweg 56  
1332 ED Almere  
The Netherlands  
Tel: 31-36-5492950  
FAX: 31-36-5492974

**Cascade (UK) Ltd.**  
15, Orgreave Crescent  
Dore House Industrial Estate  
Handsworth  
Sheffield S13 9NQ  
England  
Tel: 742-697524  
FAX: 742-695121

**Cascade Scandinavia  
Hydraulik A.B.**  
Muskötgatan 19, E8-9  
S25466 Helsingborg  
Sweden  
Tel: 42-151135  
FAX: 42-152997

**Cascade Norway**  
Østerliveien 37A  
1153 Oslo  
Norway  
Tel: 47-22-743160  
FAX: 47-22-743157

**Cascade France S.A.R.L.**  
11, Rue Jean Charcot  
Zone Industrielle Sud or  
B.P. 22  
91421 Morangis Cedex  
France  
Tel: 1- 64547501  
FAX: 1-9790584

**Cascade Hispania S.A.**  
Avenida De La Fabregada, 7  
Hospitalet De Llobregat  
Barcelona  
Spain  
Tel: 3-335-5158  
FAX: 3-335-4756

**Cascade Japan Ltd.**  
5-5-41,  
Torikai Kami  
Settsu, Osaka  
Japan, 566  
Tel: 81-726-53-3490  
FAX: 81-726-53-3497

**Cascade Korea**  
Room 508, Pum Yang Bldg.  
750-14, Bang Bac-Dong  
Se-Cho Ku, Seoul  
Korea  
Tel: 2599-7131 ext. 512  
FAX: 2533-8089

**HYCO-Cascade Pty. Ltd.**  
1445 Ipswich Road  
Rocklea,  
Queensland 4107  
Australia  
Tel: 3-274-2722  
FAX: 3-274-3456

**HYCO-Cascade (NZ) Ltd.**  
15 Ra Ora Drive, East Tamaki  
P.O. Box 38-440  
Howick, Auckland  
New Zealand  
Tel: 9-273-9136  
FAX: 9-273-9137

**Cascade (Africa) Pty. Ltd.**  
P.O. Box 625, Isando 1600  
60A Steel Road  
Sparton, Kempton Park  
South Africa  
Tel: 975-9240  
FAX: 394-1147

**Cascade-Xiamen**  
Wanshan No. 1 Workshop  
Huli Road  
Xiamen 361006  
Fujian, PRC  
Tel: 592-562-4600  
FAX: 592-562-4671

**Cascade (Singapore)  
Trading Co.**  
Four Seasons Park  
Autumn Block - Apt. 1802  
12 Cascaden Walk  
Singapore  
Tel: 65-834-1935  
FAX: 65-834-1936

