



Parts Manual

Model Single-Double Pallet Handler

Serial Number 60E-FDS-103

cascade[®]
corporation

For Technical Assistance call: 800-227-2233, Fax: 888-329-8207

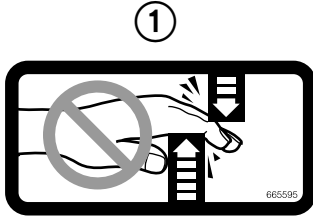
To Order Parts call: 888-227-2233, Fax: 888-329-0234

OR

Write: Cascade Corporation, P.O. Box 20187, Portland, OR 97220

Internet: www.cascorp.com

Decals



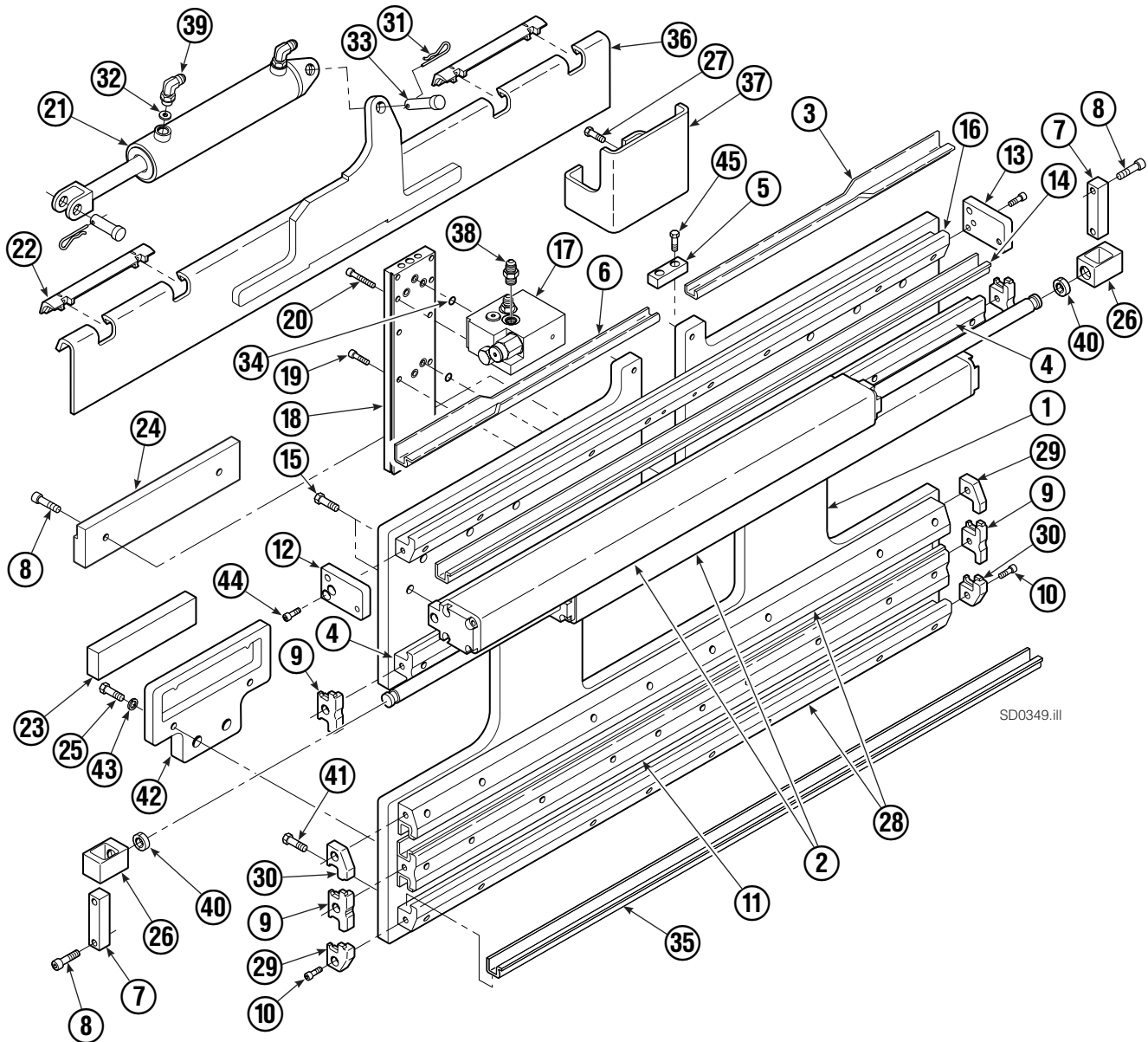
55E			
REF	QTY	PART NO.	DESCRIPTION
1	6	665595	No Hand Hold Decal
2	4	679150	No Step Decal

Publications



55E	
PART NO.	DESCRIPTION
214269	Parts Manual
213580	Operator's Guide
213372	Installation Instructions
679929	Tool Catalog
673964	Literature Index Order Form

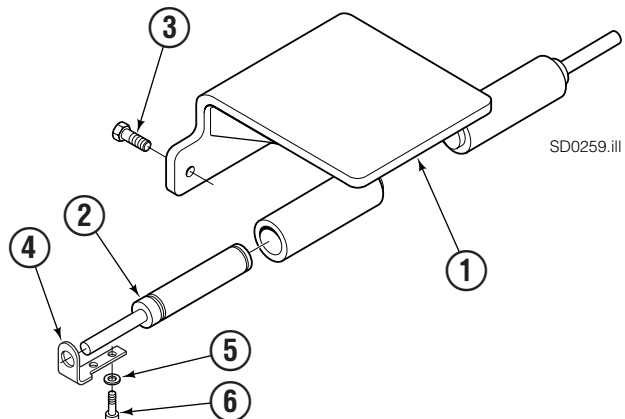
Base Unit Group – ITA Class III



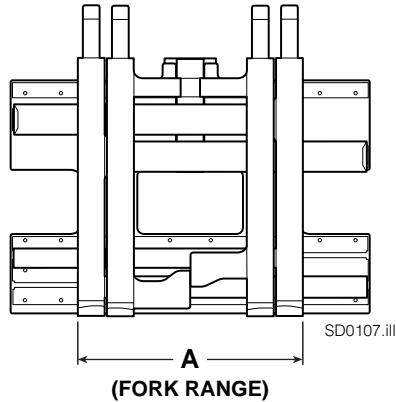
Inner Fork Control Group

60E			
REF	QTY	PART NO.	DESCRIPTION
		225394	Inner Fork Control Group ▼
1	1	225396	Bracket
2	2	225395	Gas Cylinder
3	3	623821	Capscrew, M12x20
4	2	230791	Retainer
5	4	202346	Washer, M6
6	4	768785	Capscrew, M6x10

▼ Included in Base Unit Group 6107873.



Base Unit Group – ITA Class III



NOTE: Position the outer forks to minimum width and measure **A** to determine minimum outer fork outside to outside (OTO) range.

60E			
		DIMENSION – A MINIMUM OTO FORK RANGE	
		27.5 in. (700 mm)	
REF	QTY	PART NO.	DESCRIPTION
		6107873	Base Unit Group ▼
1	1	3007838	Baseplate
2	2	214622	Frame Cylinder ★
3	1	4786-0468	Bearing Segment – LH
4	2	214629	T-Bar – Upper
5	1	212723	Fork Stop
6	1	4787-0468	Bearing Segment – RH

▼ Includes Inner Fork Control Group 225394.

Common Parts

REF	QTY	PART NO.	DESCRIPTION	REF	QTY	PART NO.	DESCRIPTION
7	2	210489	Rod End Anchor ■	27	2	684649	Capscrew, M10 x 25
8	4	768303	Capscrew, M10 x 35 ■	28	2	214633	T-Bar – Lower
9	4	210140	Bearing Retainer	29	2	212585	Bearing Retainer
10	14	787375	Capscrew, M8 x 20	30	2	212586	Bearing Retainer
11	1	214631	T-Bar – Lower	31	2	672726	Cotter Pin
12	1	220009	Retainer/Stop – RH	32	1	675550	Washer
13	1	6101490	Retainer/Stop – LH	33	2	206926	Clevis Pin
14	4	4730-1050	Bearing Segment	34	7	214053	O-Ring
15	15	211689	Capscrew, M12 x 30	35	4	4730-1040	Bearing Segment
16	1	220143	T-Bar – Upper	36	1	211371	Anchor Bracket
17	1	216838	Valve Assembly ▲	37	1	6007050	Valve Guard
18	1	211456	Manifold	38	2	604511	Fitting, 6-6 ◆
19	10	768208	Capscrew, M8 x 25	39	2	601676	Fitting, 6-6 ◆
20	4	768795	Capscrew, M8 x 30	40	4	210490	Retainer Half Ring ■
21	1	675548	Sideshift Cylinder ●	41	37	214487	Capscrew, M12 x 40
22	2	672018	Upper Bearing	42	2	215226	Hanger
23	2	208350	Lower Bearing	43	4	787383	Lockwasher, M10
24	1	218208	Spacer Block	44	4	762900	Capscrew, M6 x 25
25	4	767615	Capscrew, M10 x 25	45	2	768810	Capscrew, M10 x 30
26	2	209741	Rod End ■				

★ See Frame Cylinder page for parts breakdown.

▲ See Valve Assembly page for parts breakdown.

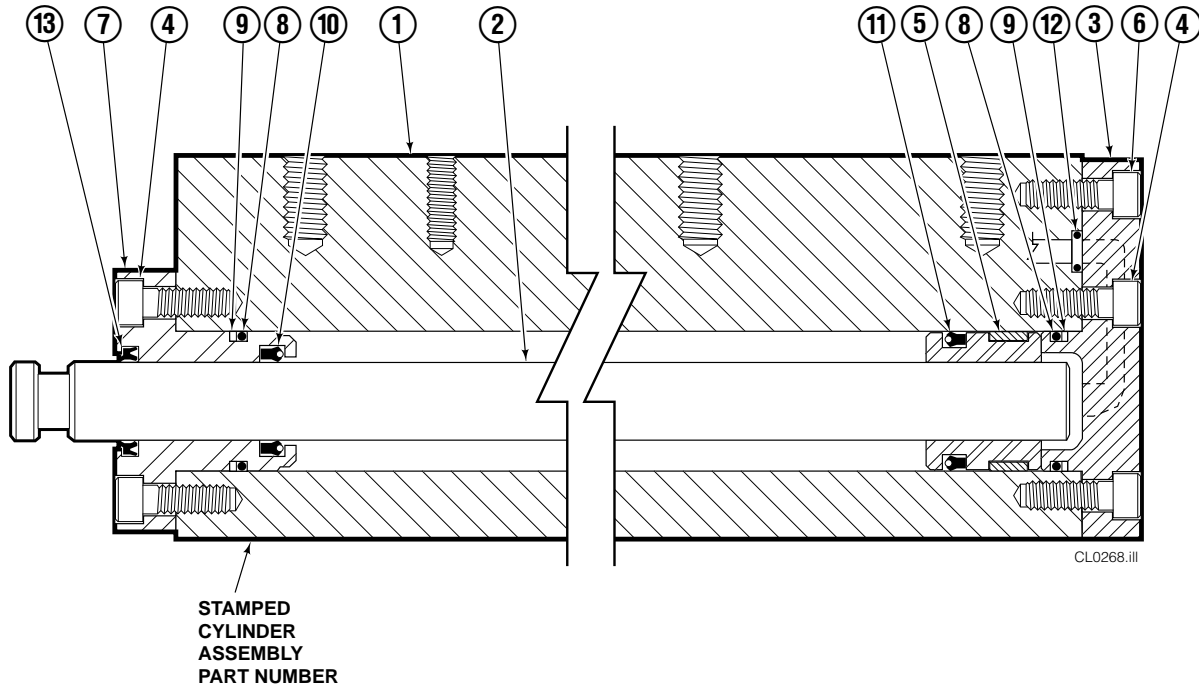
■ Included in Cylinder Rod Anchor Kit 213856.

● See Sideshift Cylinder page for parts breakdown.

◆ Included in Fitting Group 213099.

Reference: SK-6373, Common Parts 6107874.

Frame Cylinder



55E			
REF	QTY	PART NO.	DESCRIPTION
		214622	Cylinder Assembly
1	1	214623	Cylinder/Shell
2	1	4157-825	Rod
3	1	213783	End Cap
4	8	768208	Capscrew, M8 x 25
5	1	209809	Bearing ▲
6	1	787375	Capscrew, M8 x 20
7	1	212452	Retainer
8	3	643379	O-Ring ▲
9	2	210050	Back-Up Ring ▲
10	1	212477	Seal ▲
11	1	209808	Seal ▲
12	2	214053	O-Ring ▲
13	1	562131	Wiper ▲
		210090	Service Kit

▲ Included in Service Kit 210090.

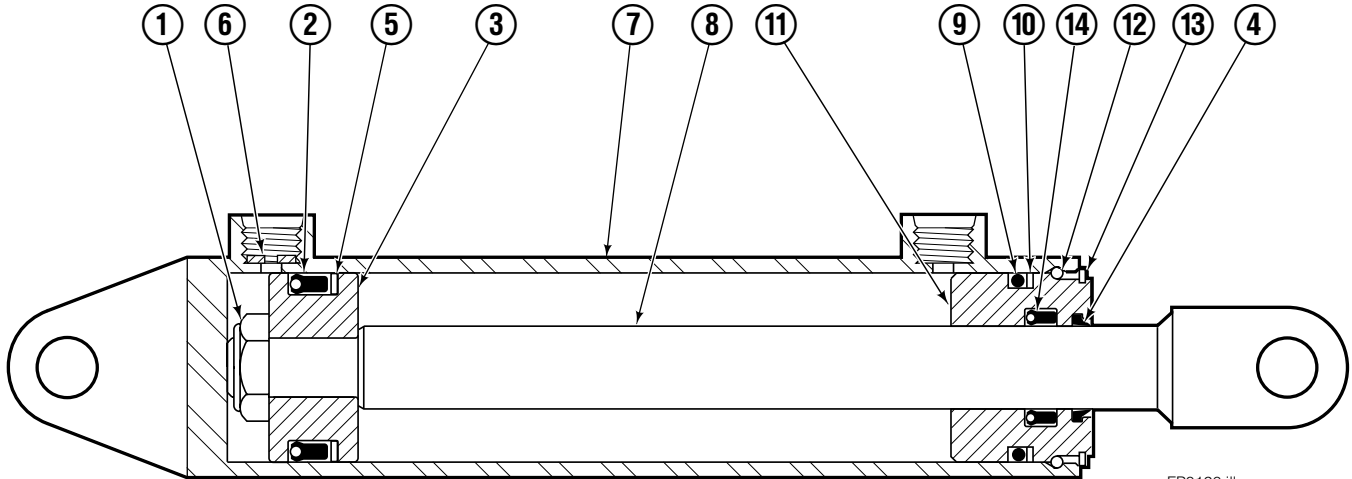
Reference: S-4643, S-4644.

Valve ITA Class III



55E			
REF	QTY	PART NO.	DESCRIPTION
		216838	Valve Assembly
1	1	219039	Check Valve
2	1	—	Service Kit
3	1	609234	Plug
4	1	216839	Valve Body
5	1	213535	Crossover Relief Valve
6	1	682170	Service Kit
7	1	219040	Flow Divider/Combiner
8	1	—	Service Kit

Sideshift Cylinder ITA Class III

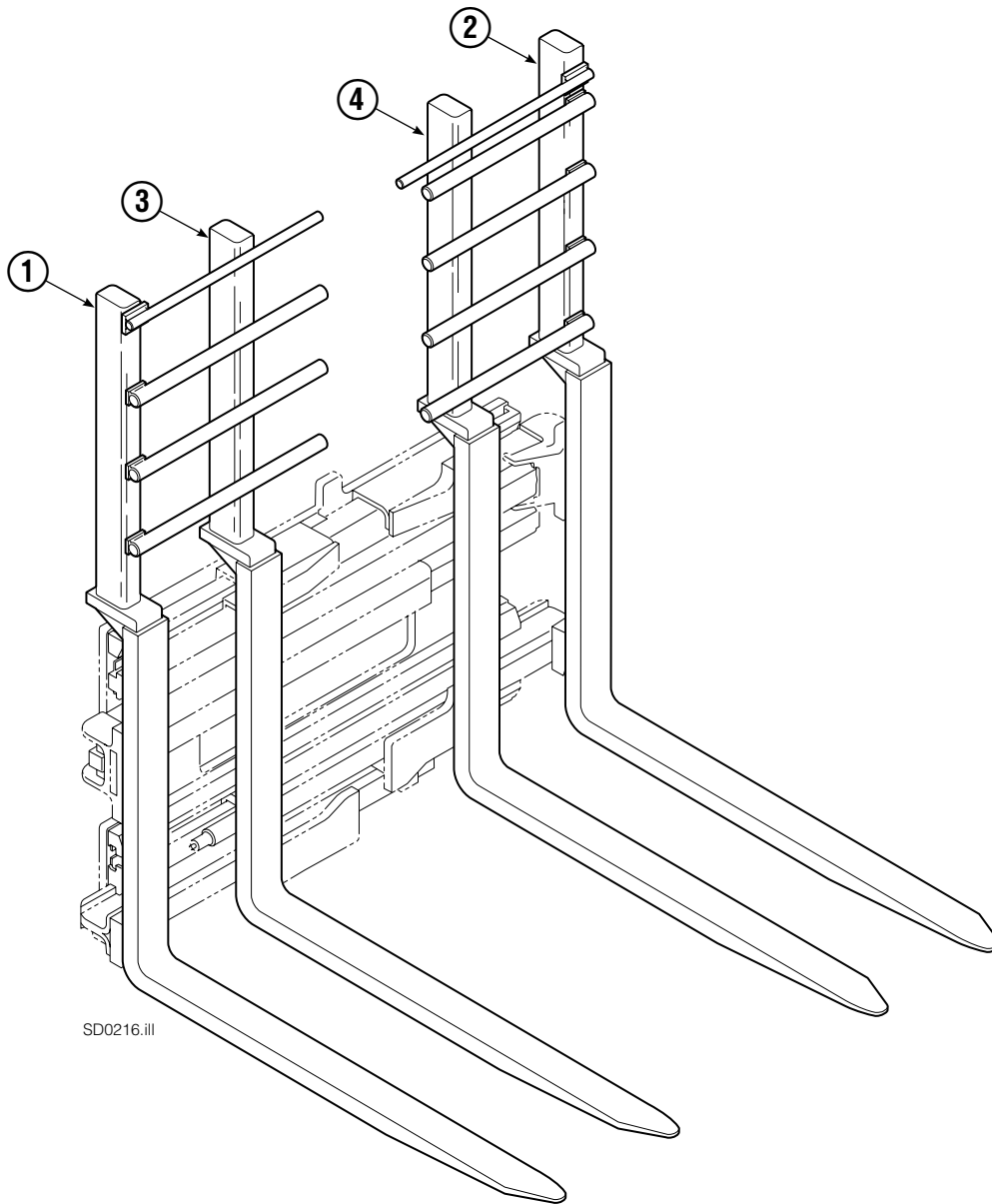


FP0126.ill

55E			
REF	QTY	PART NO.	DESCRIPTION
		675548	Cylinder Assembly
1	1	553857	Nut
2	1	662452	■ Seal
3	1	553501	Piston
4	1	636851	■ Wiper
5	1	638247	■ Back-up Ring
6	1	675550	Washer (orifice .085 in.)
7	1	675549	Shell
8	1	553449	Rod
9	1	2785	■ O-Ring
10	1	615128	■ Back-up Ring
11	1	553500	Retainer
12	1	553856	Retaining Ring
13	1	7202	Snap Ring
14	1	641835	■ Seal
		553861	Service Kit

■ Included in Service Kit 553861.

Interlocking Backrest/Fork Group

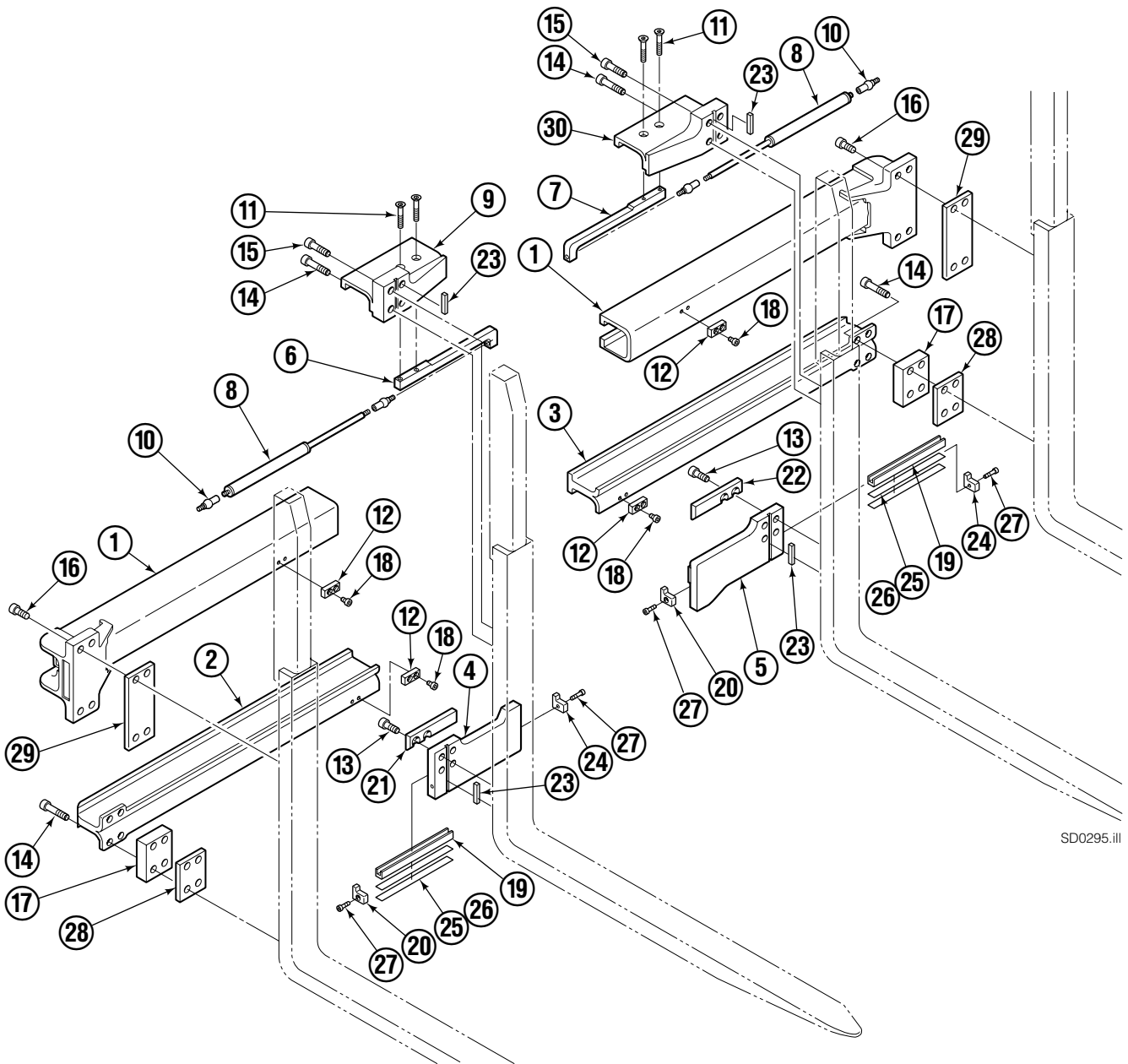


SD0216.iii

55E				
FORK GROUP	REF ①	REF ②	REF ③	REF ④
PART NO.	Outer Fork–RH	Outer Fork–LH	Inner Fork–RH	Inner Fork–LH
6108418	6108420	6108419	6102025	6102024

Reference: S-8890, S-8888, S-8887, S-4560, S-4559.

Arm Group



SD0295.iii

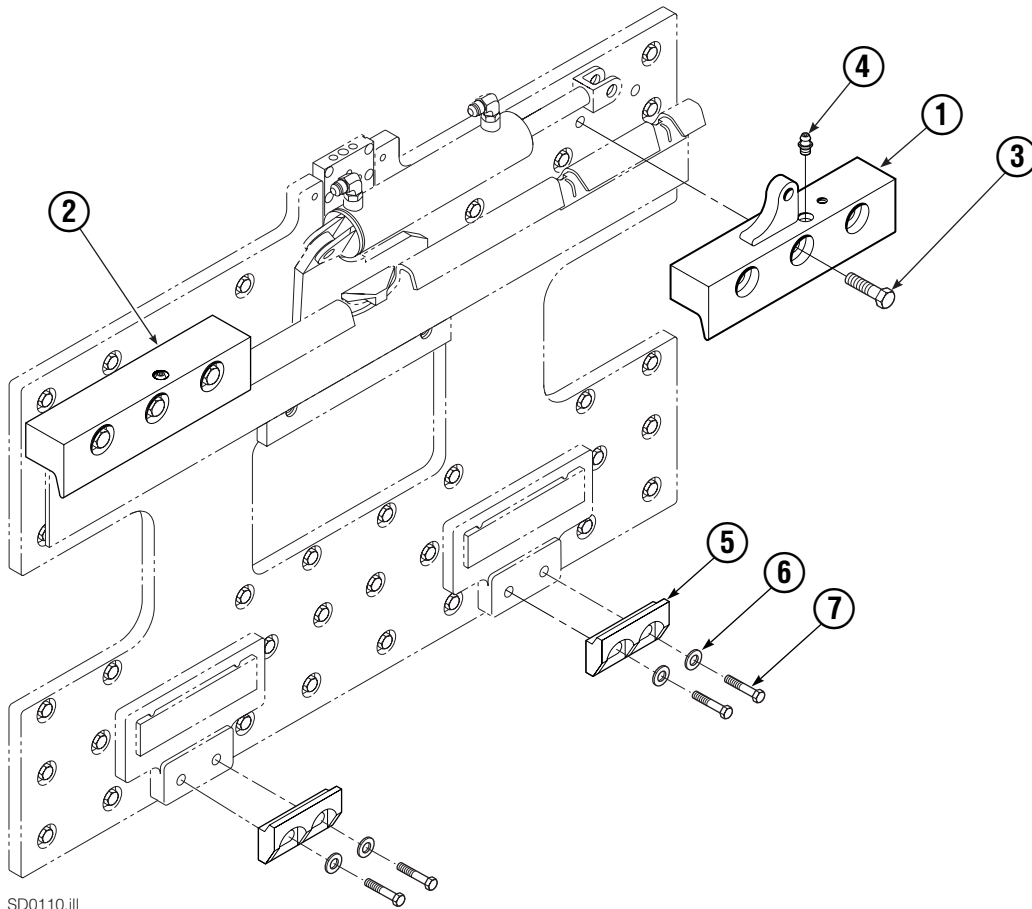
Arm Group

55E			
REF	QTY	PART NO.	DESCRIPTION
		6104472	Arm Group
1	2	220176	Upper Arm Bar
2	1	220216	Lower Arm Bar – RH
3	1	220206	Lower Arm Bar – LH
4	1	220136	Lower Hook – RH
5	1	220139	Lower Hook – LH
6	1	28088-0354	Bracket – RH
7	1	28087-0354	Bracket – LH
8	2	6104267	Gas Spring

REF	QTY	PART NO.	DESCRIPTION	REF	QTY	PART NO.	DESCRIPTION
9	1	220095	Upper Hook – RH	20	2	225345	Bearing Retainer
10	4	213011	Ball Joint	21	1	213899	Bearing – RH
11	4	766646	Capscrew, M10 x 20	22	1	213899	Bearing – LH
12	4	212687	Fork Stop	23	4	213364	Key
13	8	769574	Capscrew, M16 x 35	24	2	225345	Bearing Retainer
14	12	769578	Capscrew, M16 x 60	25	6	212559	Shim, .04 in. (1 mm)
15	4	769577	Capscrew, M16 x 50	26	–	—	Shim, .02 in. (.5 mm)
16	8	769574	Capscrew, M16 x 35	27	4	787375	Capscrew, M8 x 20
17	2	210587	Spacer	28	–	—	Spacer
18	8	214414	Capscrew, M10 x 12	29	4	797610	Spacer
19	2	4501-0222	Bearing Segment	30	1	6101471	Upper Hook – LH

Reference: SK-6373, SK-6374, Common Parts Group 6105251.

Mounting Group ITA Class III



SD0110.iii

55E			
REF	QTY	ITA III PART NO.	DESCRIPTION
		6009564	Upper Hook Group ▲
		211175	Lower Hook Group ★
1	1	6007188	Upper Hook - RH
2	1	6007190	Upper Hook - LH
3	6	678997	Capscrew, M16 x 70
4	2	7403	Grease Fitting
5	2	675969	Lower Hook
6	4	667225	Washer
7	4	751511	Capscrew, M16 x 55

▲ Includes items 1-4.

★ Includes items 5-7.

Reference: SK-6116.

Do you have questions you need answered right now? Call your nearest Cascade Parts Department.

Cascade Corporation

2501 Sheridan Avenue
Springfield, OH 45505
Tel: 888-CASCADE (227-2233)
FAX: 888-329-0234
www.cascorp.com

Cascade Canada Inc.

5570 Timberlea Blvd.
Mississauga, Ontario
Canada L4W-4M6
Tel: 905-629-7777
FAX: 905-629-7785

Cascade GmbH

D-41199 Monchengladbach
Klosterhofweg 52
Germany
Tel: 49-216-668230
FAX: 49-216-6682323

Cascade Finland

Albert Petreliuksenkatu 3
01370 Vantaa
Finland
Tel: 358-9-836-1925
FAX: 358-9-836-1935

**Cascade N.V.
European Headquarters**

P.O. Box 3009
1300 El Almere
Damsluisweg 56
1332 ED Almere
The Netherlands
Tel: 31-36-5492911
FAX: 31-36-5492964

**Cascade N.V.
Benelux Sales and Service**

P.O. Box 3009
1300 El Almere
Damsluisweg 56
1332 ED Almere
The Netherlands
Tel: 31-36-5492950
FAX: 31-36-5492974

Cascade (UK) Ltd.

15, Orgreave Crescent
Dore House Industrial Estate
Handsworth
Sheffield S13 9NQ
England
Tel: 742-697524
FAX: 742-695121

Cascade Scandinavia AB

Box 124
Hammarvägen 10
567 23 Vaggeryd
Sweden
Tel: 42-0-393-36950
FAX: 46-0-393-36959

Cascade Norway

Østerliveien 37A
1153 Oslo
Norway
Tel: 47-22-743160
FAX: 47-22-743157

Cascade France S.A.R.L.

1D Rue De Charaintru
BP 18, 91360 Epinay-Sur-Orge
Morangis Cedex, France
Tel: 33-1- 64547500
FAX: 33-1-64547501

Cascade Hispania S.A.

Carrer 5 Sector C
Zona Franca Duanera
Poligono de la Zon Franca
08040 Barcelona, Spain
Office No. 256
Tel: 93-264-07-30
FAX: 93-264-07-31

Cascade Japan Ltd.

5-5-41,
Torikai Kami
Settsu, Osaka
Japan, 566
Tel: 81-726-53-3490
FAX: 81-726-53-3497

Cascade Korea

108B, Namdong Ind Complex
658-3 Gojan-Dong
Namdong-Gu
Inchon, 405-310 Korea
Tel: 82-32-821-2051
FAX: 82-32-821-2055

Cascade Australia

1445 Ipswich Road
Rocklea, QLD 4106
Australia
Tel: 1-800227-223
FAX: (07) 3373-7333

Cascade New Zealand

15 Ra Ora Drive
East Tamaki, Auckland
New Zealand
Tel: 9-273-9136
FAX: 9-273-9137

Cascade (Africa) Pty. Ltd.

P.O. Box 625, Isando 1600
60A Steel Road
Sparton, Kempton Park
South Africa
Tel: 27-11-975-9240
FAX: 27-11-394-1147

Cascade-Xiamen

No. 668 Yangguant Rd.
Xinyang Industry Zone
Haicant, Xiamen City
Fujian Province
P.R. China 361026
Tel: 86-592-651-2500
FAX: 86-592-651-2571

**Cascade (Singapore)
Trading Co.**

Four Seasons Park
Autumn Block - Apt. 1802
12 Cuscaden Walk
Singapore
Tel: 65-834-1935
FAX: 65-834-1936

