



Parts Manual

Model Push-Pull

Serial Number 45E-QB-121

cascade[®]

For Technical Assistance and to Order Parts . . .

Call: 1-800-CASCADE or 503-669-6300

OR

Write: Cascade Corporation, P.O. Box 20187, Portland, OR 97294-0187

Publications

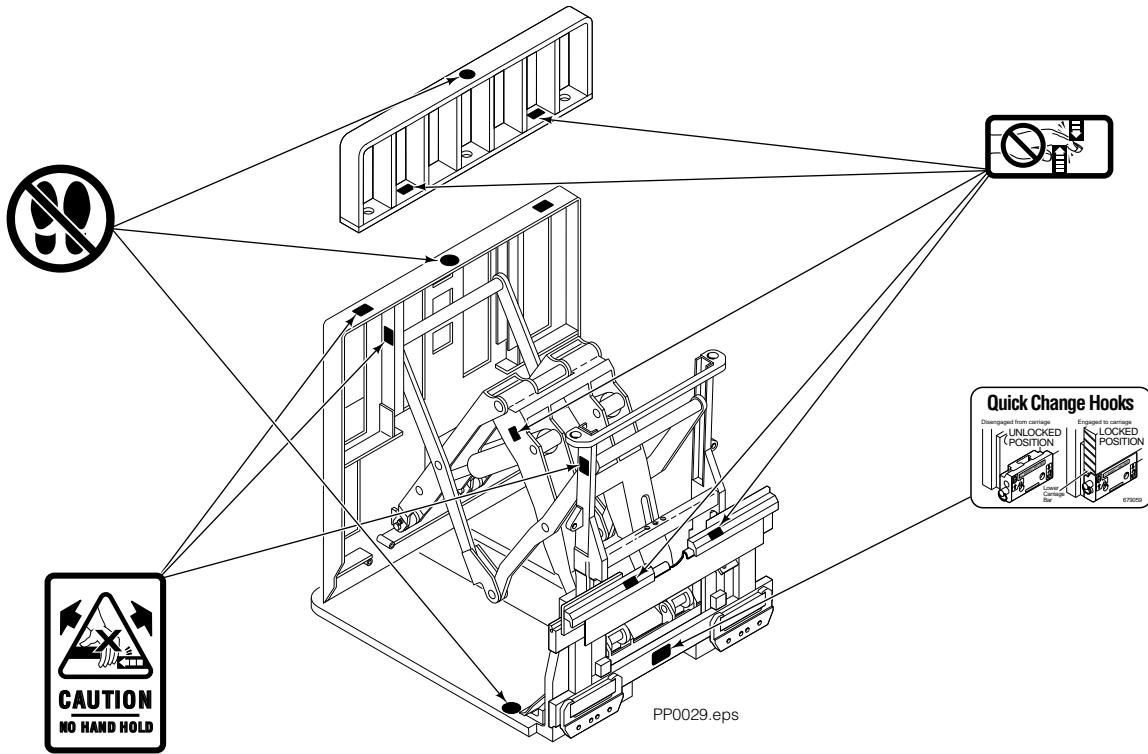


GA0006.eps

| PART NO. | DESCRIPTION |
|----------|---------------------------------|
| | Parts Manual |
| 686455 | Service Manual |
| 684945 | Operators Guide |
| 685531 | Operators Pocket Guide |
| 684944 | Installation Instructions |
| 680664 | Servicing Cascade Cylinders-VHS |
| 679929 | Tool Catalog |
| 673964 | Literature Index Order Form |

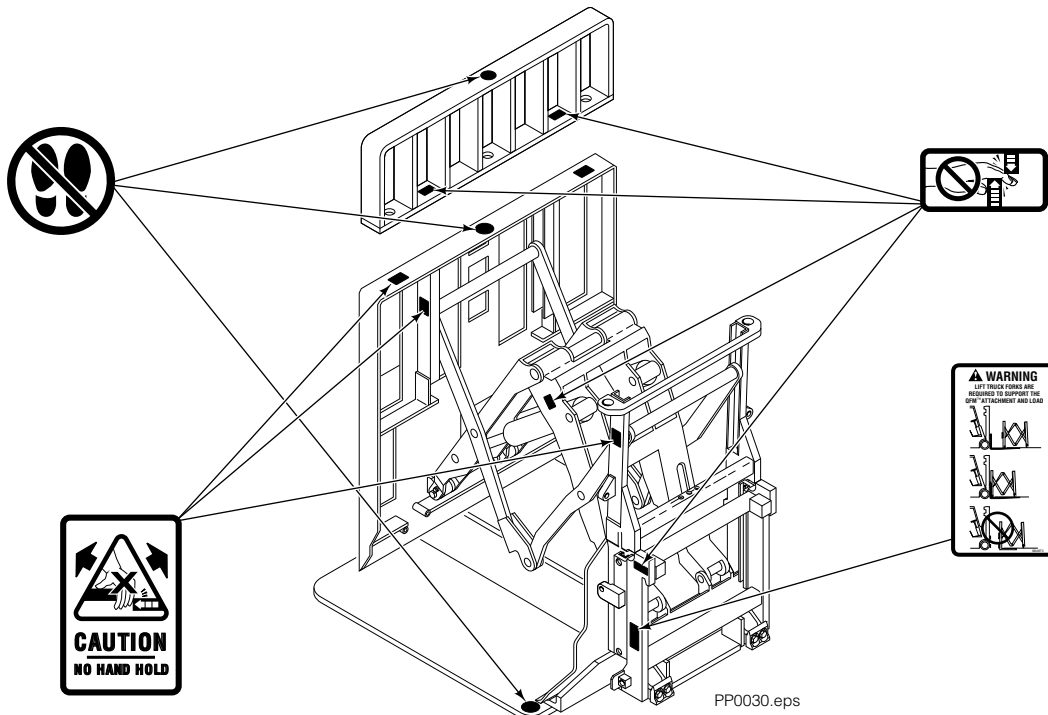
Decals

35E/45E Sheet-Sav

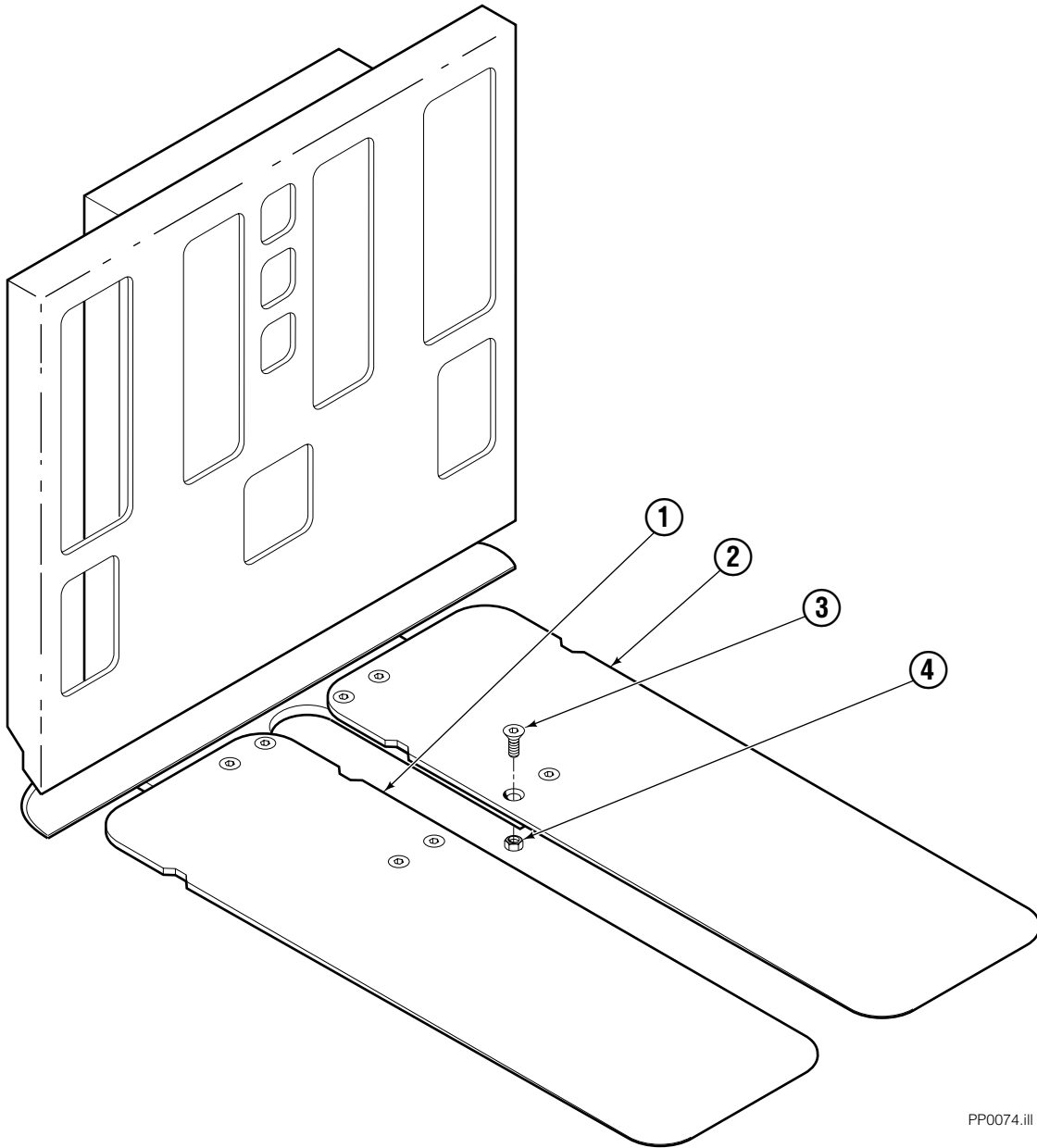


Decals

35E/45E QFM™ Sheet-Sav



Platens

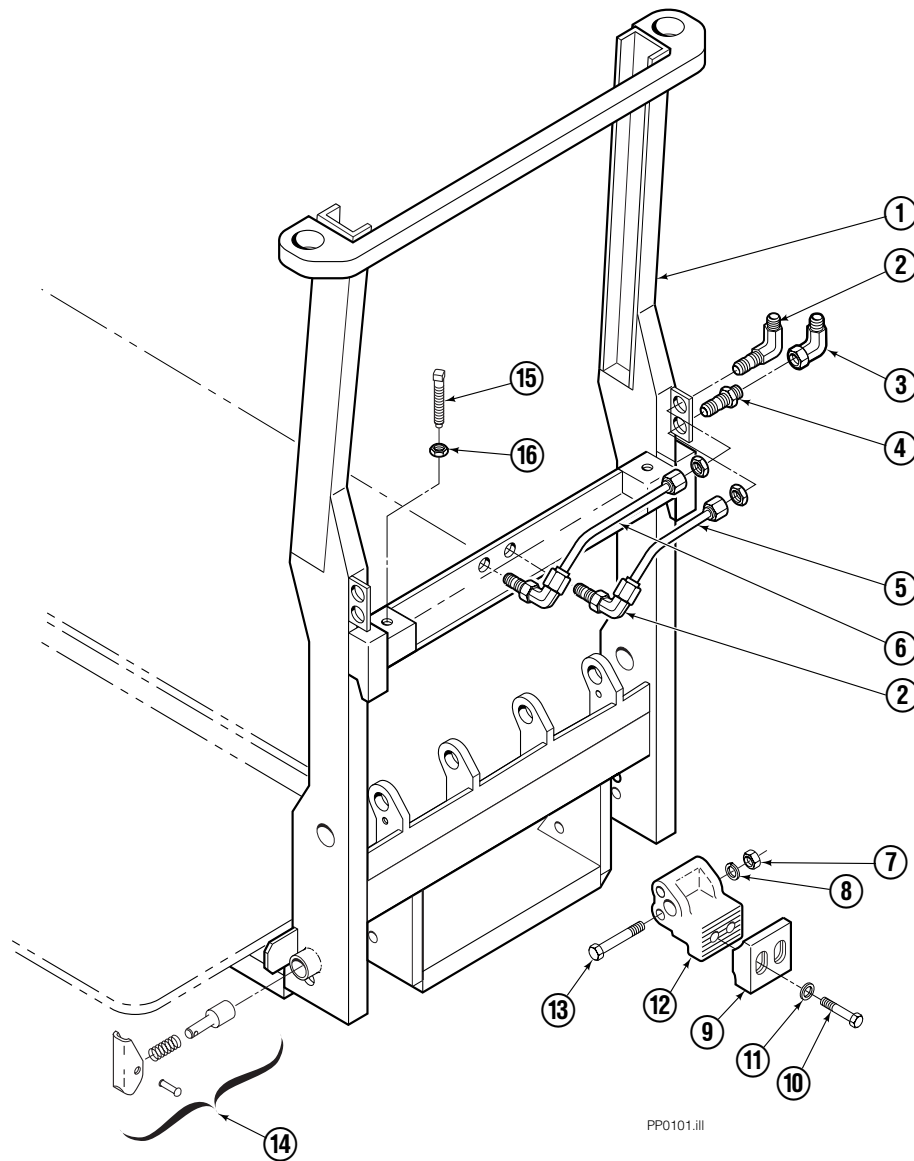


PP0074.iii

Note: Usable platen lengths are determined by measuring platen from end to end.

| REF | QTY | PART NO. | DESCRIPTION |
|-----|-----|----------|--------------|
| | | 395130 | Platen Group |
| 1 | 1 | 396214 | Platen R. H. |
| 2 | 1 | 396213 | Platen L. H. |
| 3 | 8 | 768705 | Capscrew |
| 4 | 8 | 773842 | Nut |

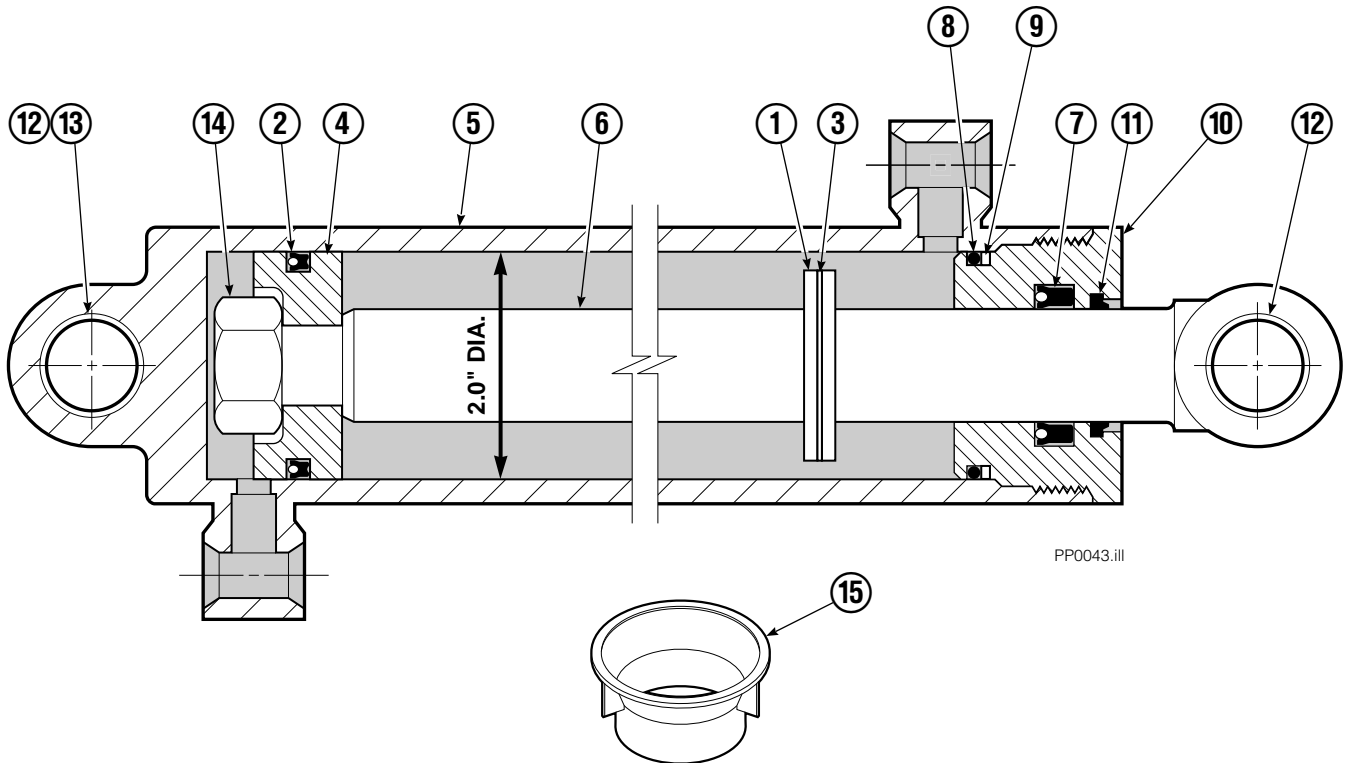
Frame Group ITA II



PP0101.iii

| 35E/45E | | | |
|---------|-----|----------|--------------------------|
| REF | QTY | PART NO. | DESCRIPTION |
| | | 395131 | Frame Group with Platens |
| 1 | 1 | 396216 | Frame with Platens |
| 2 | 3 | 2453 | Fitting, 6-6 |
| 3 | 1 | 2680 | Fitting, 6-6 |
| 4 | 1 | 2375 | Fitting, 6-6 |
| 5 | 1 | 201798 | Tube |
| 6 | 1 | 201799 | Tube |
| 7 | 2 | 763025 | Nut |
| 8 | 2 | 681473 | Lockwasher |
| 9 | 2 | 676280 | Hook |
| 10 | 4 | 768554 | Capscrew |
| 11 | 4 | 667910 | Washer |
| 12 | 2 | 683188 | Pivot Hook |
| 13 | 2 | 768837 | Capscrew |
| 14 | 2 | 683189 | Pin Assembly |
| 15 | 2 | 204938 | Setscrew |
| 16 | 2 | 5930 | Nut |

Cylinder



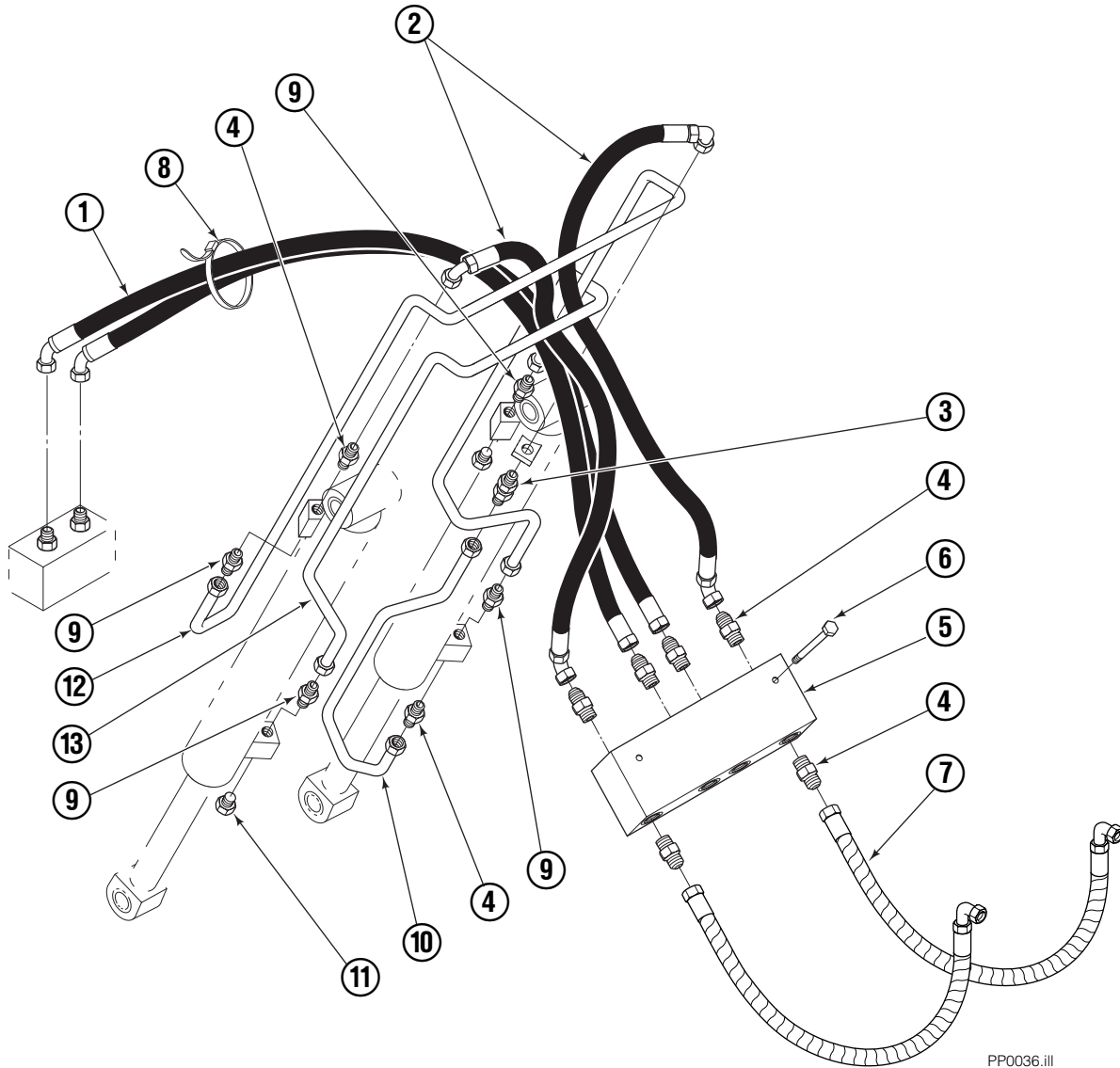
PP0043.ill

| 35E/45E | | | |
|---------|-----|----------|-------------------|
| REF | QTY | PART NO. | DESCRIPTION |
| | | 200992 | Cylinder Assembly |
| 1 | 1 | 685380 | Spacer |
| 2 | 1 | 564158 | Seal ■ |
| 3 | 1 | 7348 | Snap Ring |
| 4 | 1 | 564160 | Piston |
| 5 | 1 | 562716 | Shell |
| 6 | 1 | 558626 | Rod |
| 7 | 1 | 559705 | Seal ■ |
| 8 | 1 | 2785 | O-Ring ■ |
| 9 | 1 | 615128 | Back-up Ring ■ |
| 10 | 1 | 559696 | Retainer |
| 11 | 1 | 636853 | Wiper ■ |
| 12 | 4 | 559697 | Bearing |
| 13 | 1 | 559698 | Spacer |
| 14 | 1 | 678019 | Nut |
| 15 | 1 | 671047 | Seal Loader Kit ■ |

■ Included in Service Kit 562338.

Ref: S-3424

Hydraulic Group



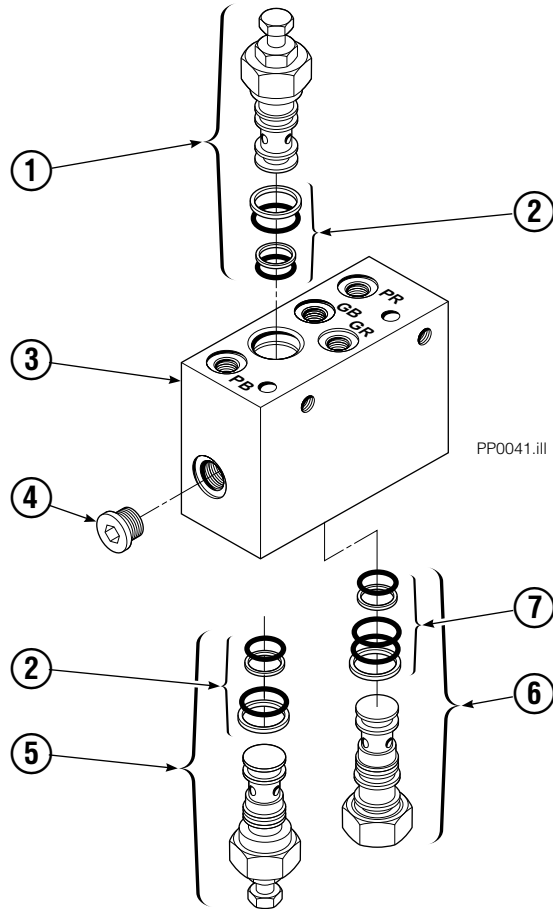
PP0036.iii

| 35E/45E | | | |
|---------|-----|----------|--------------------------|
| REF | QTY | PART NO. | DESCRIPTION |
| | | 688855 | Hydraulic Group |
| 1 | 1 | 200320 | Hose |
| 2 | 2 | 200527 | Hose |
| 3 | 1 | 2375 | Fitting, 6-6 |
| 4 | 8 | 604511 | Fitting, 6-6 |
| 5 | 1 | 682812 | ■ Valve |
| 6 | 2 | 763166 | Capscrew, M8x1.25x20-8.8 |
| 7 | 2 | 200217 | Hose ITA II |
| 8 | 2 | 684956 | Cable tie |
| 9 | 4 | 605235 | Fitting 5-6 |
| 10 | 1 | 200647 | Tube |
| 11 | 2 | 604510 | Plug, 6 |
| 12 | 1 | 682994 | Tube |
| 13 | 1 | 682993 | Tube |

■ See Valve page for parts breakdown.

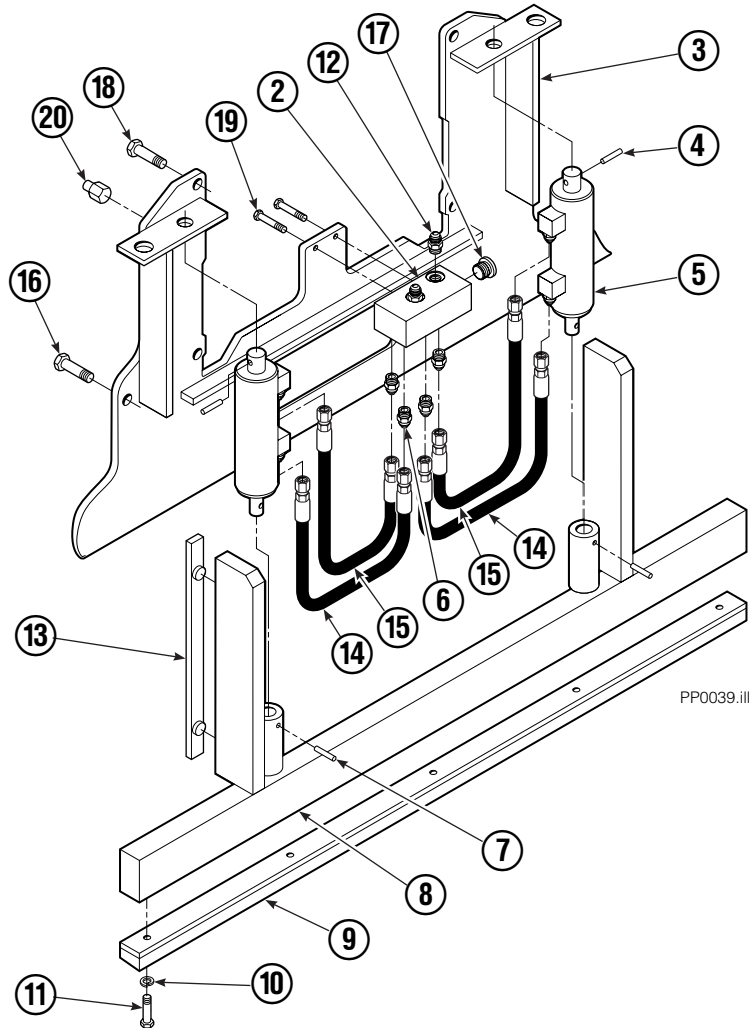
Valve

Load Push/Pull



| 35E/45E | | | |
|---------|-----|----------|--------------------------|
| REF | QTY | PART NO. | DESCRIPTION |
| | | 682812 | Valve Assembly |
| 1 | 1 | 677125 | Sequence Valve (Retract) |
| 2 | 2 | 669597 | Service Kit |
| 3 | 1 | 682813 | Body |
| 4 | 5 | 663694 | Fitting, 3 |
| 5 | 1 | 677124 | Sequence Valve (Extend) |
| 6 | 1 | 659058 | Gripper Check Valve |
| 7 | 1 | 667516 | Service Kit |

Faceplate Group



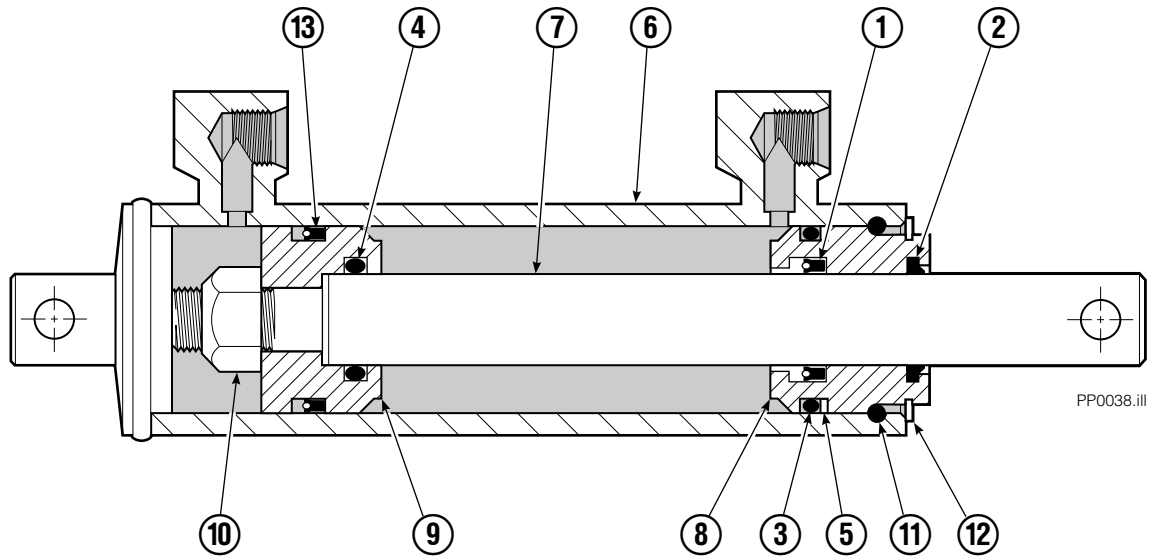
PP0039.ill

35E/45E

| REF | QTY | PART NO. | DESCRIPTION | REF | QTY | PART NO. | DESCRIPTION |
|-----|-----|----------|-----------------------------|-----|-----|----------|--------------------------|
| | | 206387 | Faceplate Group 40" x 54" ■ | 10 | 5 | 6444 | Lockwasher |
| | | 205961 | Gripper Jaw Assembly ● | 11 | 5 | 768794 | Capscrew, M8x1,25x20-8.8 |
| 1 | 1 | 204493 | Faceplate 40" x 54" ■ | 12 | 2 | 604511 | Fitting, 6-6 |
| 2 | 1 | 205959 | Junction Block | 13 | 2 | 686573 | Bearing |
| 3 | 1 | 206396 | Gripper Jaw | 14 | 2 | 205957 | Hose |
| 4 | 2 | 673385 | Drive Pin | 15 | 2 | 205958 | Hose |
| 5 | 2 | 682844 | Gripper Cylinder ▼ | 16 | 2 | 768710 | Capscrew |
| 6 | 8 | 617915 | Fitting, 4-4 | 17 | 2 | 609234 | Plug, 4 |
| 7 | 2 | 200877 | Drive Pin | 18 | 4 | 779010 | Capscrew |
| 8 | 1 | 206403 | Gripper Bar | 19 | 2 | 763166 | Capscrew, M8x1,25x25-8.8 |
| 9 | 1 | 672712 | Gripper Pad | 20 | 4 | 682850 | Stop |

- Width x height.
- Includes items 2 through 20.
- ▼ See Gripper Cylinder page for parts breakdown.

Gripper Cylinder



PP0038.iii

| 35E/45E | | | |
|---------|-----|----------|------------------|
| REF | QTY | PART NO. | DESCRIPTION |
| | | 682844 | Gripper Cylinder |
| ▼ 1 | 1 | 646540 | Seal |
| ▼ 2 | 1 | 636850 | Wiper |
| ▼ 3 | 1 | 2718 | O-Ring |
| ▼ 4 | 1 | 2710 | O-Ring |
| ▼ 5 | 1 | 615122 | Back-Up Ring |
| 6 | 1 | 685662 | Shell |
| 7 | 1 | 685663 | Rod |
| 8 | 1 | 685664 | Retainer |
| 9 | 1 | 685665 | Piston |
| 10 | 1 | 563462 | Nut |
| 11 | 1 | 563916 | Ring |
| 12 | 1 | 684284 | Snap Ring |
| ▼ 13 | 1 | 663728 | Piston Seal |

▼ Included in Service Kit 684827.

Do you have questions you need answered right now? Call your nearest Cascade Parts Department.

Cascade Corporation

2201 NE 201st
Troutdale, OR 97060
Tel: 1-800-CAS-CADE
503-669-6300
FAX: 503-669-6338

Cascade Canada Inc.

5570 Timberlea Blvd.
Mississauga, Ontario
Canada L4W-4M6
Tel: 905-629-7777
FAX: 905-629-7785

Cascade GmbH

D-41199 Monchengladbach
Klosterhofweg 52
Germany
Tel: 21-66-602091
FAX: 21-66-680947

Cascade N.V.

Kirkkokatu 1
48100 Kotka
Finland
Tel: 52-184393
FAX: 52-184833

**Cascade N.V.
European Headquarters**

P.O. Box 3009
1300 El Almere
Damsluisweg 56
1332 ED Almere
The Netherlands
Tel: 31-36-5492911
FAX: 31-36-5492964

**Cascade N.V.
Benelux Sales and Service**

P.O. Box 3009
1300 El Almere
Damsluisweg 56
1332 ED Almere
The Netherlands
Tel: 31-36-5492950
FAX: 31-36-5492974

Cascade (UK) Ltd.

15, Orgreave Crescent
Dore House Industrial Estate
Handsworth
Sheffield S13 9NQ
England
Tel: 742-697524
FAX: 742-695121

**Cascade Scandinavia
Hydraulik A.B.**

Muskötgatan 19, E8-9
S25466 Helsingborg
Sweden
Tel: 42-151135
FAX: 42-152997

Cascade France S.A.R.L.

11, Rue Jean Charcot
Zone Industrielle Sud or
B.P. 22
91421 Morangis Cedex
France
Tel: 1-64547500
FAX: 1-64547501

Cascade Hispania S.A.

Avenida De La Fabregada, 7
Hospitalet De Llobregat
Barcelona
Spain
Tel: 3-335-5158
FAX: 3-335-4756

Cascade Japan Ltd.

5-5-41,
Torikai Kami
Settsu, Osaka
Japan, 566
Tel: 81-726-53-3490
FAX: 81-726-53-3497

Cascade Korea

Room 508, Pum Yang Bldg.
750-14, Bang Bac-Dong
Se-Cho Ku, Seoul
Korea
Tel: 2599-7131 ext. 512
FAX: 2533-8089

HYCO-Cascade Pty. Ltd.

87 Antimony Street
Carole Park,
Brisbane 4300
Australia
Tel: 7-271-1966
FAX: 7-271-3830

HYCO-Cascade (NZ) Ltd.

23 Haseler Crescent
P.O. Box 38-440
Howick, Auckland
New Zealand
Tel: 9-273-9136
FAX: 9-273-9137

Cascade (Africa) Pty. Ltd.

P.O. Box 625, Isando 1600
60A Steel Road
Sparton, Kempton Park
South Africa
Tel: 975-9240
FAX: 394-1147

Cascade-Xiamen

Wanshan No. 1 Workshop
Huli Road
Xiamen 361006
Fujian, PRC
Tel: 592-562-4600
FAX: 592-562-4671

Sunstream Industries

PTE Ltd.

No. 3 Tuas Link 1
Singapore 2263
Tel: 863-3488
FAX: 863-1368

