



# Technical Bulletin

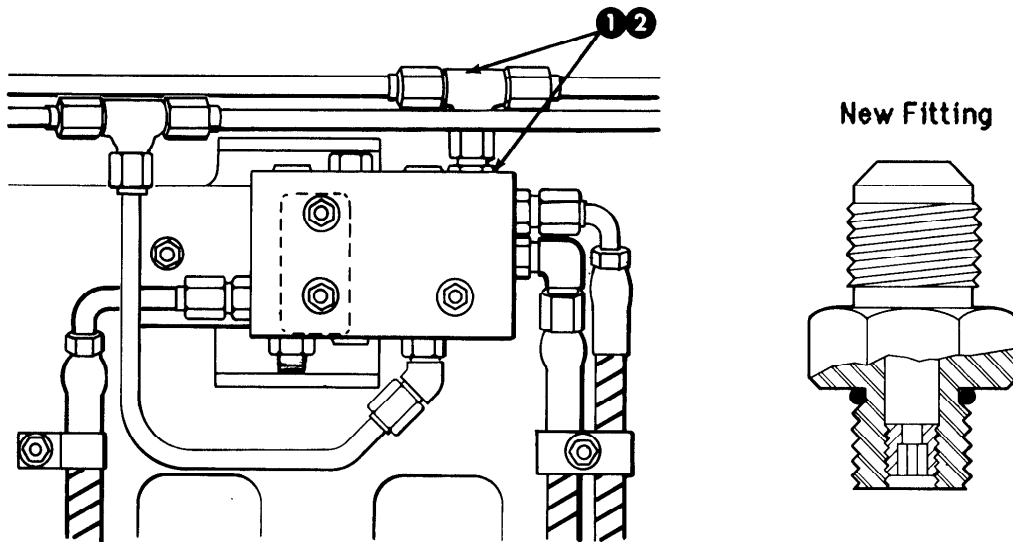
## 30D QFM™ Push/Pull Valve Restrictor Fitting Installation Instructions

**Model:** 30D QFM™ Push/Pull

**Condition:** When clamping the slipsheet a loud chattering noise occurs.

**Solution:** Replace the valve top connector fitting with Cascade fitting part no. 674565 as described below.

1. Disconnect the tee fitting from the valve top connector fitting. Remove the connector fitting.
2. Install the new connector fitting to the valve and connect the tee fitting.



**NOTE:** This information should not be interpreted as the basis for warranty claims unless so designated.  
Part No. 676987

# cascade® corporation

For Technical Assistance . . .

Call: 1-800-CASCADE or 503-666-1518

OR

Write: Cascade Corporation, P.O. Box 20187, Portland, OR 97220

To Order Parts . . .

Call: 503-825-1192

OR

Write: Cascade Corporation, P.O. Box 20187, Portland, OR 97220