



# Parts Manual

---

Model F-Series Sideshifter

Serial Number 55F-SSS-A056 R4

---

**cascade**<sup>®</sup>  
corporation

**For Technical Assistance call:** 800-227-2233, Fax: 888-329-8207

**To Order Parts call:** 888-227-2233, Fax: 888-329-0234

**OR**

**Write:** Cascade Corporation, P.O. Box 20187, Portland, OR 97220

**Internet:** [www.cascorp.com](http://www.cascorp.com)

# INSPECTION & MAINTENANCE



**WARNING:** After completing any service procedure, always test the sideshifter through five complete cycles. First test with no load, then test with a load to make sure the attachment operates correctly before returning it to the job.

## Daily

Check items shown each day. Report problems to your supervisor. See Service Manual for maintenance and repair procedures.

## 100-Hour

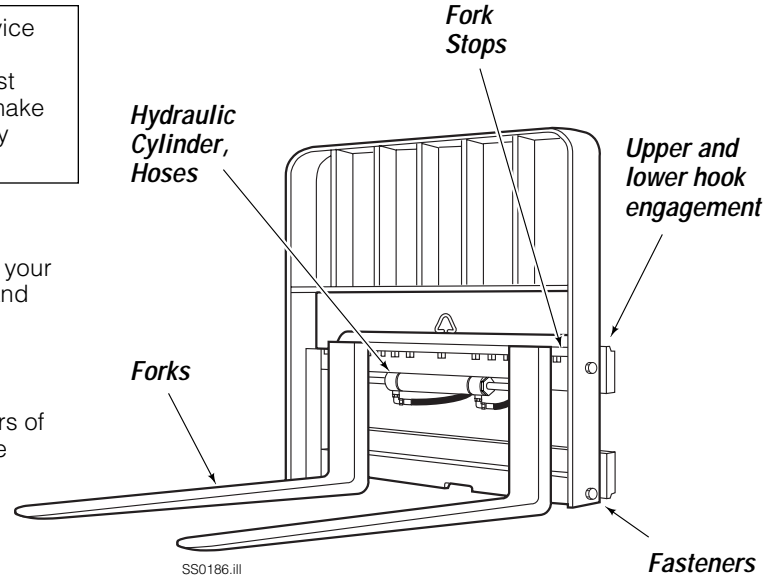
Every time the lift truck is serviced or every 100 hours of truck operation, whichever comes first, complete the following maintenance procedures:

- Check for loose or missing bolts, worn or damaged hoses, hydraulic leaks, and damaged or missing fork stops.
- Inspect clearance between sideshifter lower hooks and truck lower carriage bar (Refer to Step 4, Installation). Tighten lower hook capscrews to 120 ft.-lbs (165 Nm).

## 500-Hour

After each 500 hours of truck operation, in addition to the 100-hour maintenance, perform the following procedures:

- Tighten backrest capscrews (Cascade) to 145 ft.-lbs. (195 Nm).
- Apply general-purpose lithium-based chassis grease to Sideshifter upper and lower bearings.



## 1000-Hour

After each 1000 hours of truck operation, in addition to the 100 and 500-hour maintenance, perform the following procedures:

- Inspect upper and lower bearings for wear. If any bearing is worn to less than 3/32 in. (2.5 mm) thickness, replace the entire bearing set. See Service Manual for replacement procedure.
- Inspect forks for wear (Use Cascade fork bar wear gauge 209560 and fork wear calipers 686093).

# PARTS

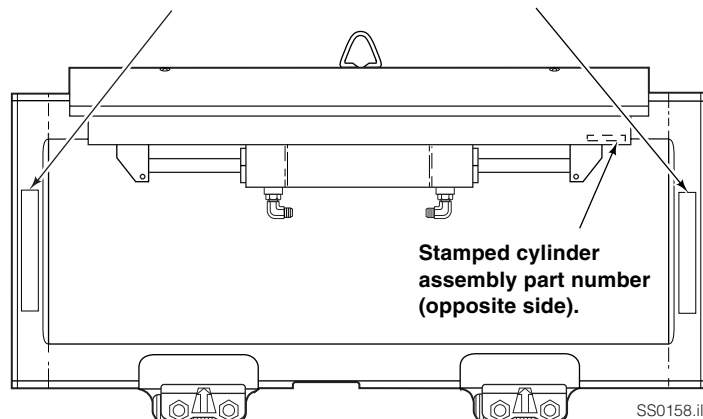
**Product Identification** – This Section shows replacement parts for F-Series Sideshifters. The product model number and serial number are stamped on the back surface of the LH vertical bar (driver's view), and must be provided when ordering replacement parts. The cylinder/anchor bracket assembly part number is stamped on the front surface RH end of the anchor bracket (driver's view).



**WARNING:** For the safety of yourself and others, DO NOT install the parts shown in this Manual unless you have thoroughly reviewed the appropriate Service Manual.

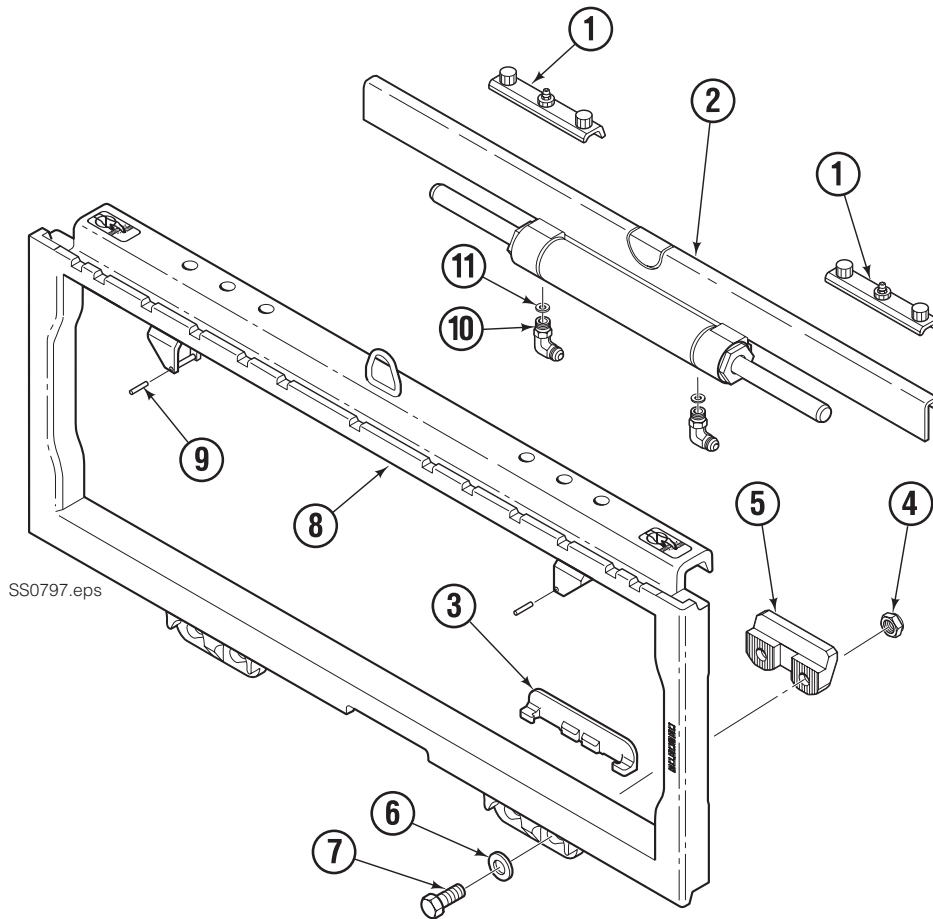
Stamped model number, serial number, specifications.

Sticker showing patent numbers, phone numbers for service.



Back (Driver's View)

# Sideshift Assembly

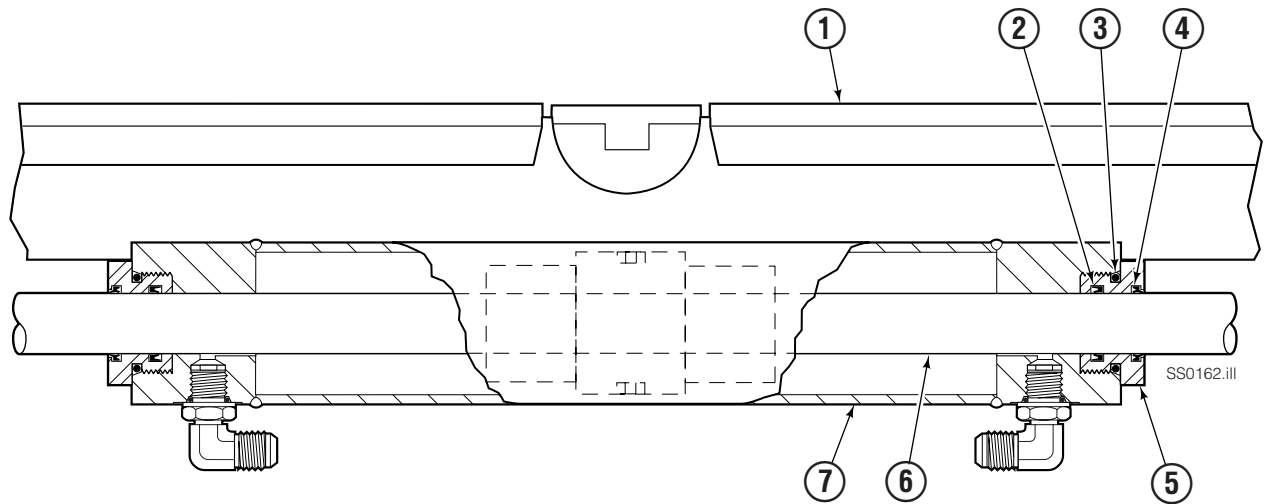


55F							
REF	QTY	PART NO.	DESCRIPTION	REF	QTY	PART NO.	DESCRIPTION
1	2	228782	Upper Bearing	7	4	752903	◆ Capscrew, M16 x 45
2	1	6025682	Cylinder ▲	8	1	6026003	Frame ●
3	2	6000719	Lower Bearing	9	2	7890	Roll Pin
4	4	678990	◆ Nut, M16	10	2	601676	■ Fitting, 6-6
5	2	204186	◆ Lower Hook	11	2	221733	▼ Restrictor Washer
6	4	667225	◆ Washer				

▲ See Cylinder page for parts breakdown.  
 ◆ Included in Lower Hook Group 204182r3.  
 Reference: Common Parts Group 219614r5,  
 S-22752 – Type 1.

● If the Frame needs replacing, your best value is to order the complete Sideshift Assembly.  
 ■ Included in Fitting Group 204179.  
 ▼ Included in Restrictor Group 221732.

# Cylinder



55F			
REF	QTY	PART NO.	DESCRIPTION
1	1	6025682	Cylinder Assembly
2	2	562132	● Rod Seal
3	2	415866	● O-Ring, 70 Duro
4	2	562131	● Rod Wiper Seal
5	2	218324	Retainer/Seal Carrier
6	-	■	Rod/Piston Assembly
7	-	■	Cylinder Shell
		219868	Rod Seal Service Kit

● Included in Service Kit 219868.

■ Not serviceable, order new Cylinder Assembly.

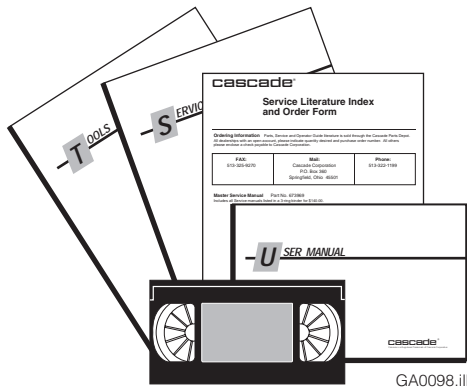
Reference: S-21006.

## Recommended Spare Parts

55F		UNITS SERVICED		
PART NUMBER	DESCRIPTION	1-5	6-19	20-50
<b>BASE UNIT AND MOUNTING</b>				
228782	Upper Bearing	8	16	32
6000719	Lower Bearing	6	12	24
204186	Lower Hook	0	2	4
■	Capscrew	0	4	8
■	Nut	0	4	8
667225	Washer	0	4	8
<b>CYLINDER</b>				
6025682	Cylinder Assembly	0	0	1
219868	Cylinder Service Kit	1	2	4

■ See specific parts page for part number.

## Publications



GA0098.iii

55F	
PART NO.	DESCRIPTION
219941	User Manual (Operation, Installation, Parts)
220526	Service Manual
679929	Tool Catalog
673964	Literature Index Order Form

**Do you have questions you need answered right now?** Call your nearest Cascade Parts Department. Visit us online at [www.cascorp.com](http://www.cascorp.com)

**Cascade Corporation  
U.S. Headquarters**  
2201 NE 201st  
Fairview, OR 97024-9718  
Tel: 800-CASCADE (227-2233)  
FAX: 888-329-8207

**Cascade Canada Inc.**  
5570 Timberlea Blvd.  
Mississauga, Ontario  
Canada L4W-4M6  
Tel: 905-629-7777  
FAX: 905-629-7785

**Cascade GmbH**  
Niederwippekühl 1  
58579 Schalksmühle  
Germany  
Tel: 02355-50900  
FAX: 02355-509020

**Cascade Finland**  
A. Petreliuksenkatu 3  
01370 Vantaa  
Finland  
Tel: 09-8361925  
FAX: 09-8361935

**Cascade N.V.  
Benelux Sales and Service**  
Damsluisweg 56  
PO Box 3009  
1300 El Almere  
The Netherlands  
Tel: 036-5492950  
FAX: 036-5492974

**Cascade Kenhar Ltd.**  
3 Kelbrook Road  
Parkhouse Ind. Estate  
Openshaw,  
Manchester M11 2DD  
England  
Tel: 0800-243015  
FAX: 0161-4384055

**Sales Scotland  
Macade Systems Ltd.**  
18 Melford Road  
Righead Ind. Estate  
Bellshill ML4 3LR  
Scotland  
Tel: 01698-845777  
FAX: 01698-845888

**Cascade (Africa) Pty. Ltd.**  
PO Box 625, Isando 1600  
60A Steel Road  
Sparton, Kempton Park  
South Africa  
Tel: 27-11-975-9240  
FAX: 27-11-394-1147

**Cascade Scandinavia AB**  
Hammarvägen 10  
PO Box 124  
S-56723 Vaggeryd  
Sweden  
Tel: 039-336950  
FAX: 039-336959

**Cascade France  
S.A.R.L. MHP**  
1D Rue De Charaintru BP 18,  
91360 Epinay-Sur-Orge  
France  
Tel: 01-6454-7500  
FAX: 01-6454-7501

**Cascade Hispania S.A.**  
Carrer 5, Sector C  
Zona Franca Duanera  
Poligono de la Zona Franca  
08040 Barcelona, Spain  
Tel: 93-264-07-30  
FAX: 93-264-07-31

**Cascade Italia S.R.L.**  
Via Dell'Artigianato 1  
37050 Vago di Lavagno (VR)  
Italy  
Tel: 39-045-8989111  
FAX: 39-045-8989160

**Movimenta Lda.**  
Parque Industrial  
Vale do Alecrim, Lote 108  
2950-403 Palmela  
Portugal  
Tel: 351-212387340  
FAX: 351-212387349

**Sales Switzerland  
Fahrzeugbedarf**  
8810, Horgen  
Switzerland  
Tel: 01-7279797  
FAX: 01-7279798

**Sales Poland**  
Targowa 35/61  
03-728 Warszawa  
Tel: 022-619 00 49  
FAX: 022-619 00 49  
Mobile Tel: 0501-27 29 55

**Sales Russia**  
EMCG Material Handling  
Equipment  
Moscow  
Tel: 095-795-2400  
FAX: 095-795-2475  
Email: [emcg@emcg.ru](mailto:emcg@emcg.ru)

**Cascade Japan Ltd.**  
2-23, 2-Chome,  
Kukuchi Nishimachi  
Amagasaki, Hyogo  
Japan, 661-0978  
Tel: 81-726-53-3490  
FAX: 81-726-53-3497

**Cascade Korea**  
121B 9L Namdong Ind.  
Complex, 691-8 Gojan-Dong  
Namdong-Ku  
Inchon, 405-310 Korea  
Tel: 82-32-821-2051  
FAX: 82-32-821-2055

**Cascade Australia**  
1445 Ipswich Road  
Rocklea, QLD 4107  
Australia  
Tel: 1-800-227-223  
FAX: 617-3373-7333

**Cascade New Zealand**  
15 Ra Ora Drive  
East Tamaki, Auckland  
New Zealand  
Tel: 64-9-273-9136  
FAX: 64-9-273-9137

**Cascade-Xiamen**  
No. 668 Yangguang Rd.  
Xinyang Industrial Zone  
Haicang, Xiamen City  
Fujian Province  
P.R. China 361026  
Tel: 86-592-651-2500  
FAX: 86-592-651-2571

**Sunstream Industries  
Pte Ltd.**  
No. 3 Tuas Link 1  
2263  
Singapore  
Tel: 65-6863-3488  
FAX: 65-6863-1368

**Cascade do Brasil  
LTDA**  
Rua João Guerra, 134  
Macuco, Santos - SP  
Brasil 11015-130  
Tel: 55-13-2105-8800  
Fax: 55-13-2105-8899

