



Parts Manual

Model _____ **Paper Roll Clamp**

Serial Number _____ **45F-RCF-06BR2**

cascade[®]
corporation

For Technical Assistance call: 800-227-2233, Fax: 888-329-8207

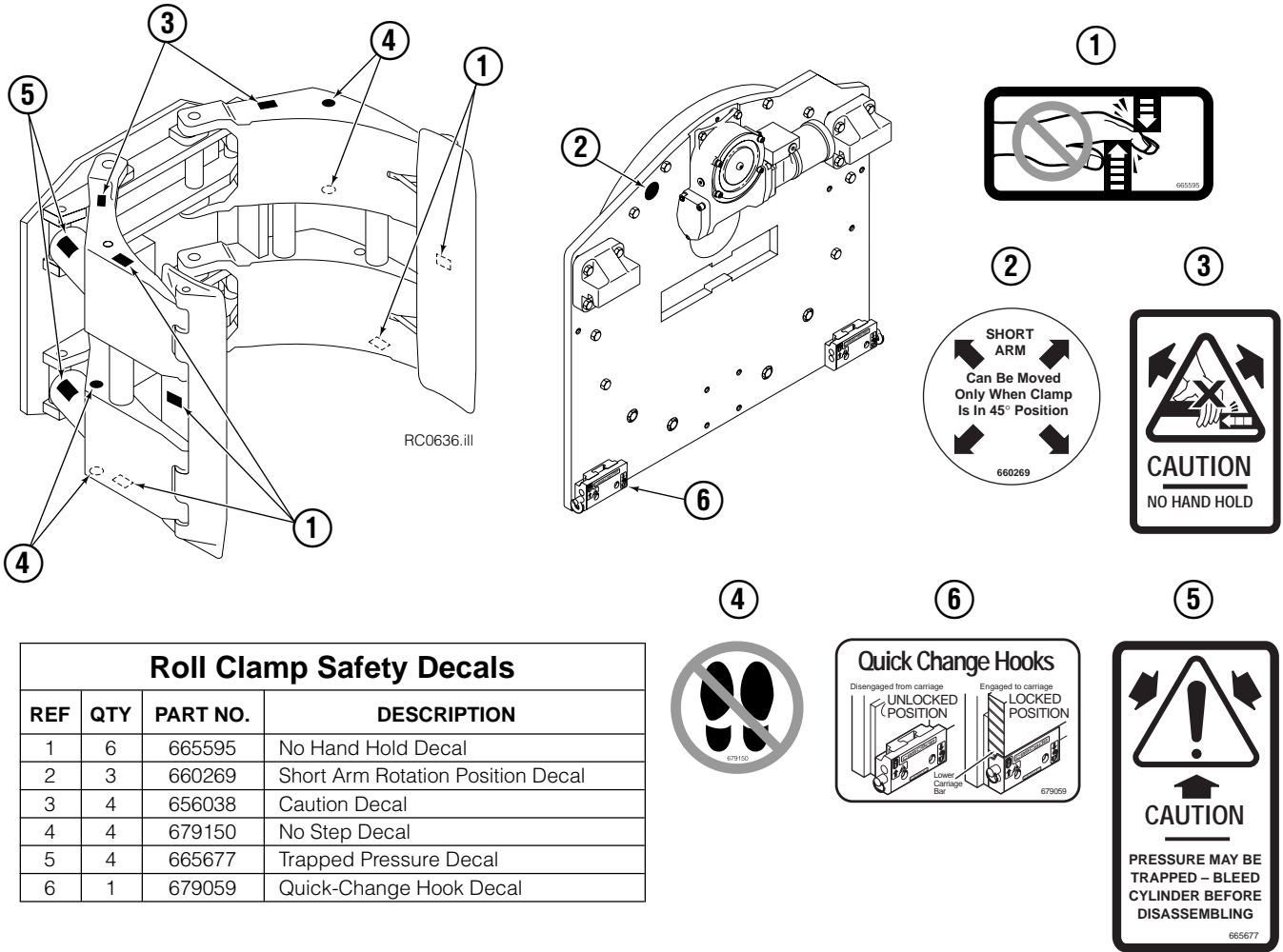
To Order Parts call: 888-227-2233, Fax: 888-329-0234

OR

Write: Cascade Corporation, P.O. Box 20187, Portland, OR 97220

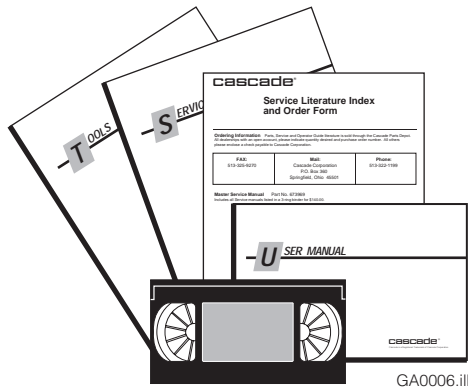
Internet: www.cascorp.com

Safety Decals



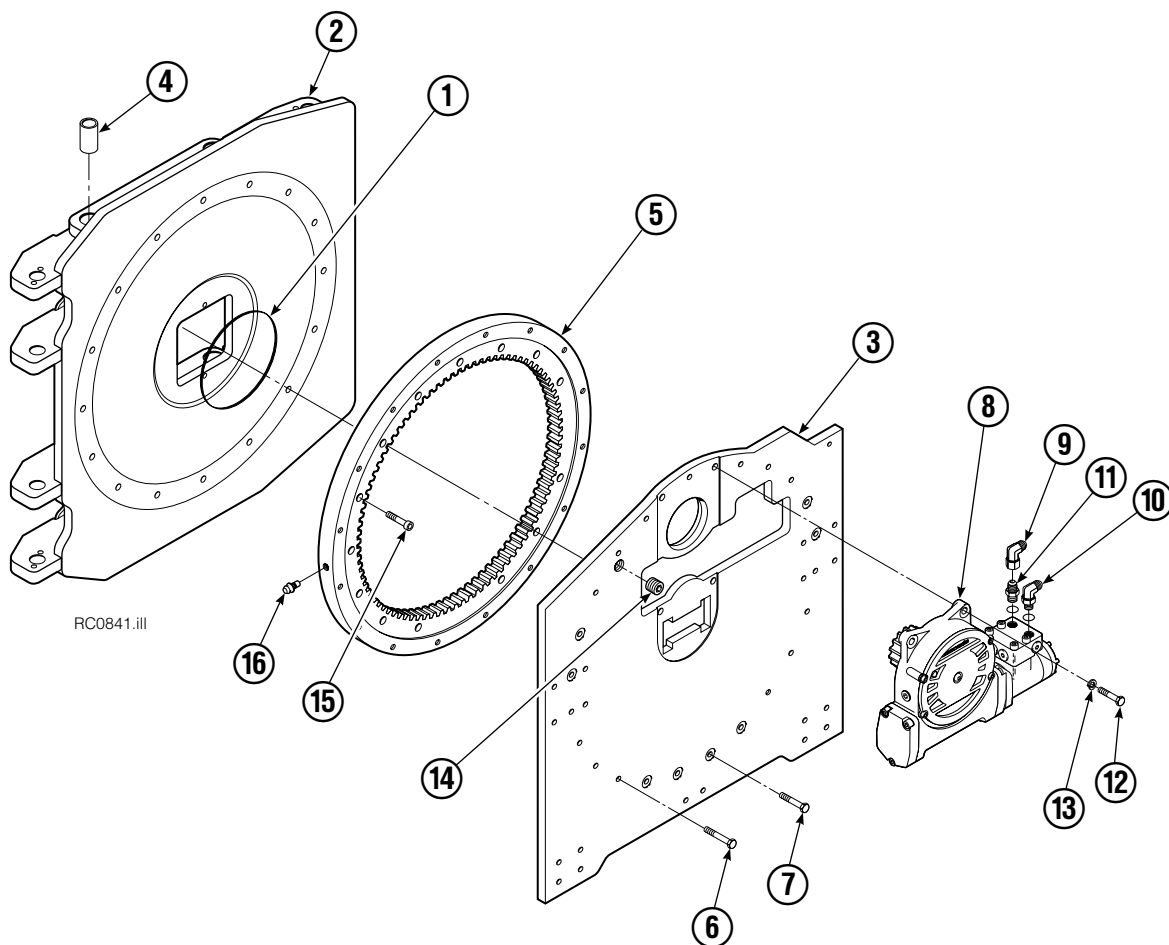
| Roll Clamp Safety Decals | | | |
|--------------------------|-----|----------|-----------------------------------|
| REF | QTY | PART NO. | DESCRIPTION |
| 1 | 6 | 665595 | No Hand Hold Decal |
| 2 | 3 | 660269 | Short Arm Rotation Position Decal |
| 3 | 4 | 656038 | Caution Decal |
| 4 | 4 | 679150 | No Step Decal |
| 5 | 4 | 665677 | Trapped Pressure Decal |
| 6 | 1 | 679059 | Quick-Change Hook Decal |

Publications



| Roll Clamp Publications | |
|-------------------------|---|
| 674512 | Service Manual |
| 674509 | Operator's Guide – Fixed Frame |
| 676268 | Operator's Guide – Swing Frame |
| 674510 | Installation Instructions – Fixed Frame |
| 674511 | Installation Instructions – Swing Frame |
| 677555 | Driver Training Video – VHS |
| 678363 | Troubleshooting Video – VHS |
| 680664 | Servicing Cascade Cylinders – VHS |
| 679929 | Tool Catalog |
| 673964 | Literature Index Order Form |

Frame Group



| 45F | | | |
|-----|-----|----------|-------------------------|
| REF | QTY | PART NO. | DESCRIPTION |
| | | 3011196 | Frame Group |
| 1 | 1 | 670931 | Seal |
| 2 | 1 | 3011197 | Faceplate |
| 3 | 1 | 680679 | Baseplate |
| 4 | 8 | 674843 | Bushing |
| 5 | 1 | 672828 | Bearing Assembly ▲ |
| 6 | 9 | 643539 | Capscrew, 1/2 NC x 1.75 |
| 7 | 7 | 643538 | Capscrew, 1/2 NC x 1.50 |
| 8 | 1 | 795491 | Drive Group ● |
| 9 | 1 | 605761 | Fitting, 8-8 |
| 10 | 1 | 601250 | Fitting, 8-8 |
| 11 | 1 | 601377 | Fitting, 8-8 |
| 12 | 4 | 661742 | Capscrew, 1/2 NC x 1.25 |
| 13 | 4 | 6290 | Lockwasher |
| 14 | 1 | 6605 | Plug |
| 15 | 16 | 4505 | Capscrew ▲ |
| 16 | 1 | 7401 | Grease Fitting |

▲ Included in Bearing Service Kit 672481.

● See Drive Group page for parts breakdown.

Reference: Common Parts Group 680700, SK-5359.

Drive Group



| REF | QTY | PART NO. | DESCRIPTION | REF | QTY | PART NO. | DESCRIPTION |
|-----|-----|----------|---------------------------------|-----|-----|----------|-------------------------------------|
| | | 795491 | Drive Group with 2.8 c.i. Motor | 19 | 1 | 206392 | Drive Motor – 2.8 c.i. ▼ |
| 1 | 6 | 769570 | Capscrew, M12 x 25 | 20 | 4 | 4468 | Capscrew, 3/8 NC x .75 GR8 |
| 2 | 1 | 676855 | Cover | 21 | 1 | 670580 | Bearing |
| 3 | ● | 674513 | Shim – .005" (blue) | 22 | 1 | 675609 | Worm Gear |
| 4 | ● | 670574 | Shim – .010" (brown) | 23 | 1 | 670581 | Bearing |
| 5 | ● | 671757 | Shim – .015" (pink) | 24 | 1 | 7214 | Snap Ring |
| 6 | ● | 671758 | Shim – .020" (yellow) | 25 | 1 | 643423 | O-Ring |
| 7 | 2 | 670579 | Bearing | 26 | 1 | 775552 | Cover |
| 8 | 1 | 670582 | Key | 27 | 1 | 783609 | Seal |
| 9 | 1 | 670506 | Pinion | 28 | 1 | 783608 | Capscrew, M12 x 16 |
| 10 | 1 | 775551 | Housing | 29 | 4 | 200882 | Capscrew, M8 x 20 |
| 11 | 1 | 686465 | Gasket | 30 | 1 | 644010 | Relief Fitting |
| 12 | 1 | 675608 | Worm | 31 | 1 | 604510 | Fitting, 6 |
| 13 | 1 | 775553 | Adapter | 32 | 1 | 656300 | Gear Box Lube – 48 oz. |
| 14 | 2 | 2705 | O-Ring | 33 | 1 | 668184 | Sealant |
| 15 | 1 | 670549 | Check Valve ▲ | | | 670578 | Shim Service Kit (items 3-6,25,33) |
| 16 | 4 | 6444 | Lockwasher | | | 675637 | Bearing Service Kit (items 21 & 33) |
| 17 | 4 | 607059 | Capscrew, 5/16 NC x 1.75 GR8 | | | 675638 | Bearing Service Kit (items 3-7,25) |
| 18 | 1 | 670575 | Gasket | | | 685227 | Motor Kit-4.5 (items 4,14,18) |

● Quantity as required.

▲ See Check Valve page for parts breakdown.

▼ See Drive Motor page for parts breakdown.

Drive Motor



| REF | QTY | PART NO. | DESCRIPTION |
|-----|-----|----------|------------------------------|
| | | 206392 | Drive Motor |
| 1 | 1 | 675478 | Shaft |
| 2 | 1 | 675477 | Drive |
| 3 | 1 | 675479 | Spacer Plate |
| 4 | 1 | 675480 | ■ Gerotor Set (101-1768-007) |
| 4 | 1 | 685075 | ■ Gerotor Set (101-1768-009) |
| 5 | 1 | 675482 | End Cap |
| 6 | 1 | 206405 | ● Service Kit |
| 7 | 1 | 685089 | ■ Flange (101-1768-007) |
| 7 | 1 | 685090 | ■ Flange (101-1768-009) |

Cascade provides service replacement parts for the listed parts only. Due to cost, if others parts need replacement, the complete drive motor should be replaced.

■ See Nameplate under valve for correct part number of Gerotor Set and Flange.

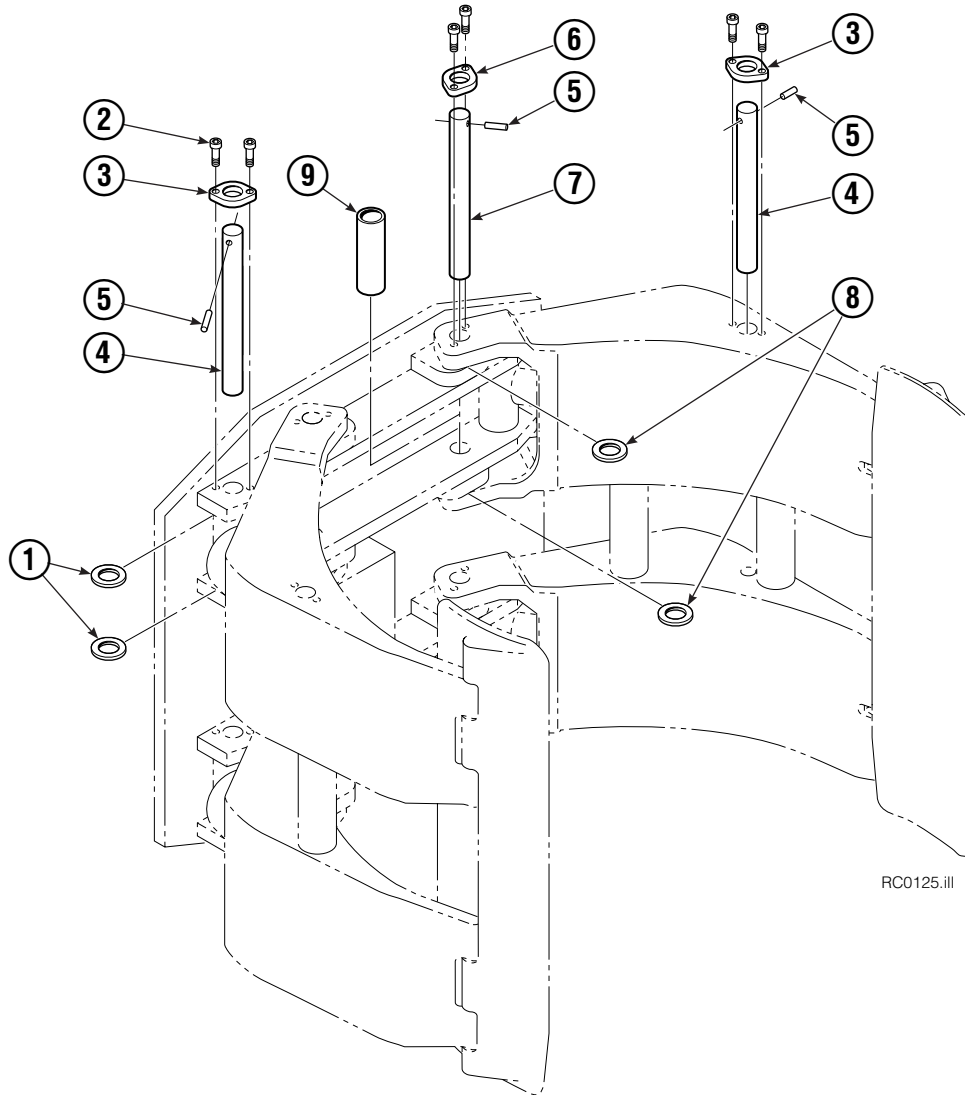
● Compatible with water glycol based hydraulic fluids.

Check Valve



| REF | QTY | PART NO. | DESCRIPTION |
|-----|-----|----------|----------------------|
| | | 670549 | Check Valve Assembly |
| 1 | 2 | 609453 | Fitting, 10 |
| 2 | 2 | 670552 | Spring |
| 3 | 2 | 670551 | Guide |
| 4 | 2 | 7020 | Ball |
| 5 | 2 | 602580 | Fitting, 8 |
| 6 | 2 | 673989 | Spring |
| 7 | 1 | 670550 | Body |
| 8 | 1 | 670553 | Spool |

Common Components Group

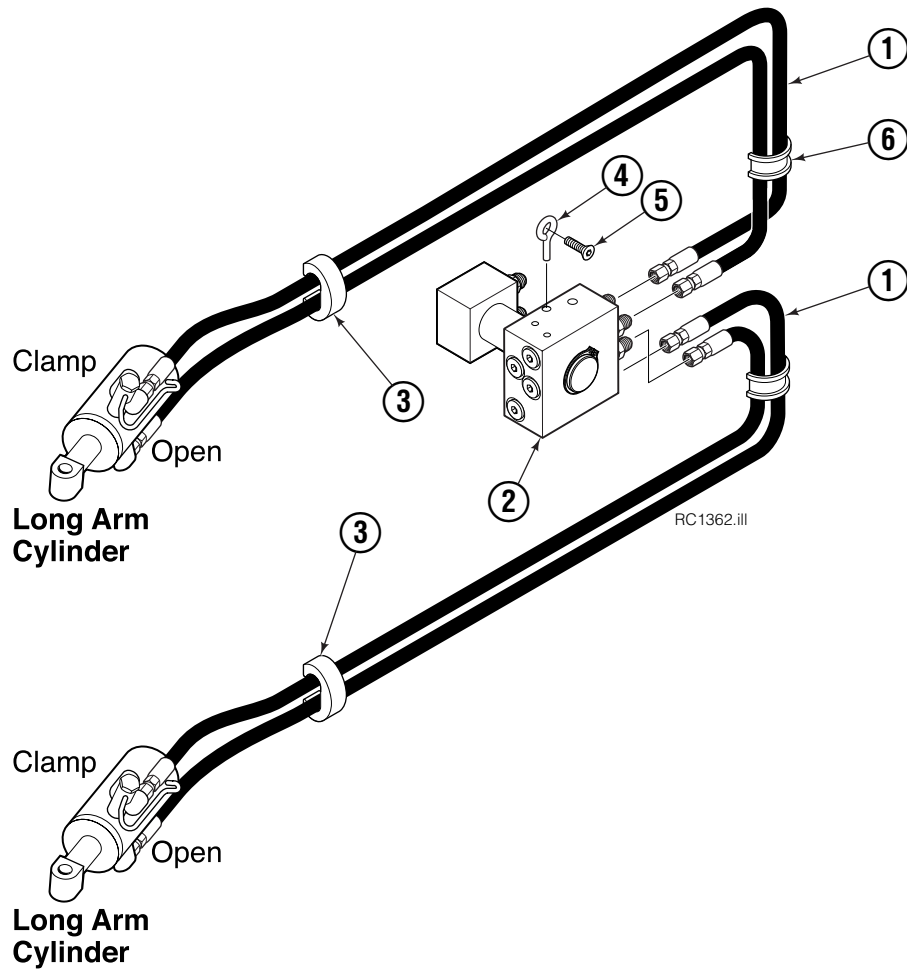


RC0125.ill

| 45F | | | |
|-----|-----|----------|-------------------------|
| REF | QTY | PART NO. | DESCRIPTION |
| | | 680634 | Common Components Group |
| 1 | 8 | 674837 | Shim |
| 2 | 24 | 4466 | Capscrew, 3/8 NC x .50 |
| 3 | 8 | 674827 | Retainer |
| 4 | 8 | 680639 | Pin |
| 5 | 12 | 673385 | Drive Pin |
| 6 | 4 | 674828 | Retainer |
| 7 | 4 | 674835 | Pin |
| 8 | 16 | 660200 | Shim |
| 9 | 4 | 681669 | Spacer |

Reference: SK-4962, SK-4963.

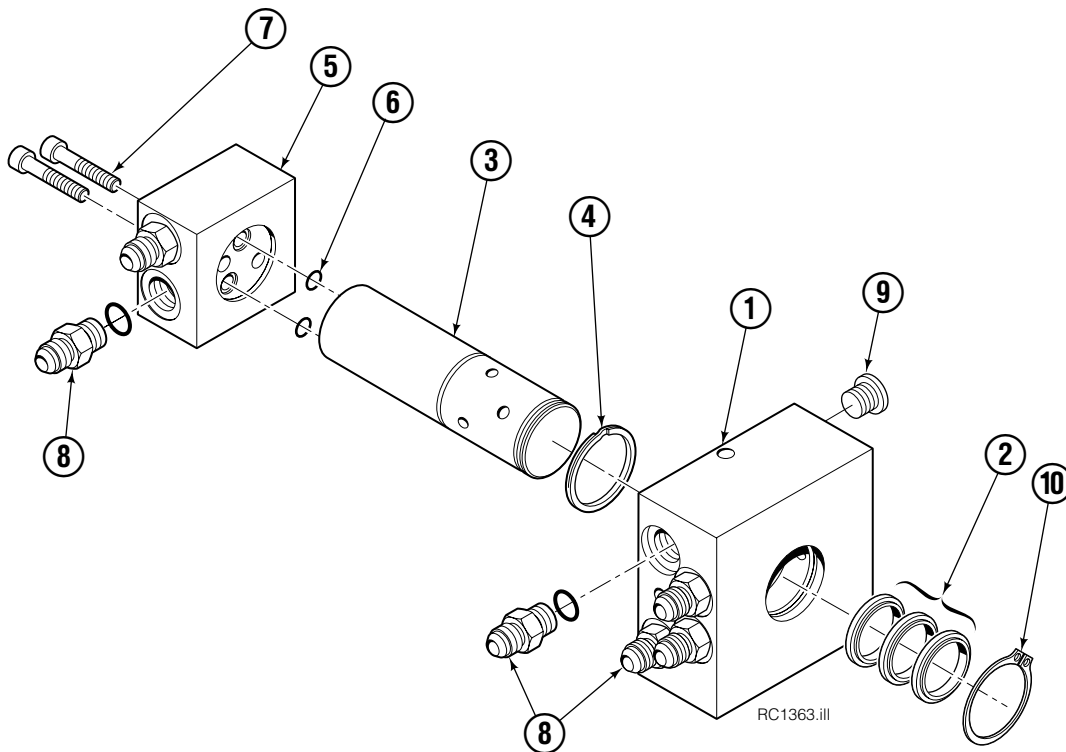
Hosing Group Fixed Short Arm



| REF | QTY | PART NO. | DESCRIPTION |
|-----|-----|----------|------------------------|
| | | 6025858 | Hose Group |
| 1 | 4 | 680115 | Hose, 43.75 in. |
| 2 | 1 | 6025580 | Revolving Connection ▲ |
| 3 | 2 | 673416 | Segment |
| 4 | 2 | 227962 | Eye Pin |
| 5 | 2 | 4751 | Capscrew |
| 6 | 2 | 680113 | Insert |

▲ See Revolving Connection page for parts breakdown.

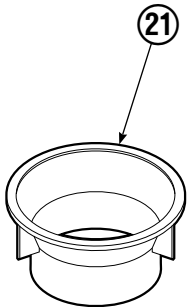
Revolving Connection Fixed Short Arm



| 45F | | | |
|------------|-----|----------|-------------------------------|
| REF | QTY | PART NO. | DESCRIPTION |
| | | 6025580 | Revolving Connection Assembly |
| 1 | 1 | 6023358 | Valve Body |
| 2 | 3 | 214649 | ◆ Seal |
| 3 | 1 | 6023343 | Shaft |
| 4 | 1 | 7341 | ◆ Retaining Ring |
| 5 | 1 | 6026959 | End Block |
| 6 | 2 | 684587 | ◆ O-Ring |
| 7 | 2 | 768798 | Capscrew, M8 x 40 |
| 8 | 6 | 604511 | Fitting, 6-6 |
| 9 | 4 | 604510 | Fitting, 6-6 |
| 10 | 1 | 3138 | ◆ Retaining Ring |

◆ Included in Service Kit 6026296.

Long Arm Cylinder



| REF | QTY | PART NO. | DESCRIPTION |
|-----|-----|----------|-------------------------|
| | | 345711 | Cylinder Assembly |
| 1 | 1 | 674840 | Bearing |
| 2 | 1 | 560997 | Nut |
| 3 | 1 | 660767 | ◆ Bearing |
| 4 | 1 | 662460 | ◆ Seal |
| 5 | 2 | 638293 | ◆ Back-Up Ring |
| 6 | 2 | 604511 | Fitting, 6-6 |
| 7 | 1 | 556852 | Fitting, 4 |
| 8 | 1 | 557212 | Check Valve |
| 9 | 1 | 2797 | ◆ O-Ring |
| 10 | 1 | 615140 | ◆ Back-Up Ring |
| 11 | 1 | 554598 | ◆ Seal |
| 12 | 1 | 564930 | ◆ Wiper |
| 13 | 1 | 557080 | Rod |
| 14 | 1 | 555207 | Retainer |
| 15 | 1 | 555226 | Piston |
| 16 | 1 | 2722 | ◆ O-Ring |
| 17 | 1 | 560532 | Shell |
| 18 | 1 | 667516 | Check Valve Service Kit |
| 19 | 1 | - | Spacer |
| 20 | 2 | 674840 | Bearing |
| 21 | 1 | 672909 | Seal Loader |
| | | 555227 | Service Kit |

◆ Included in Service Kit 555227.

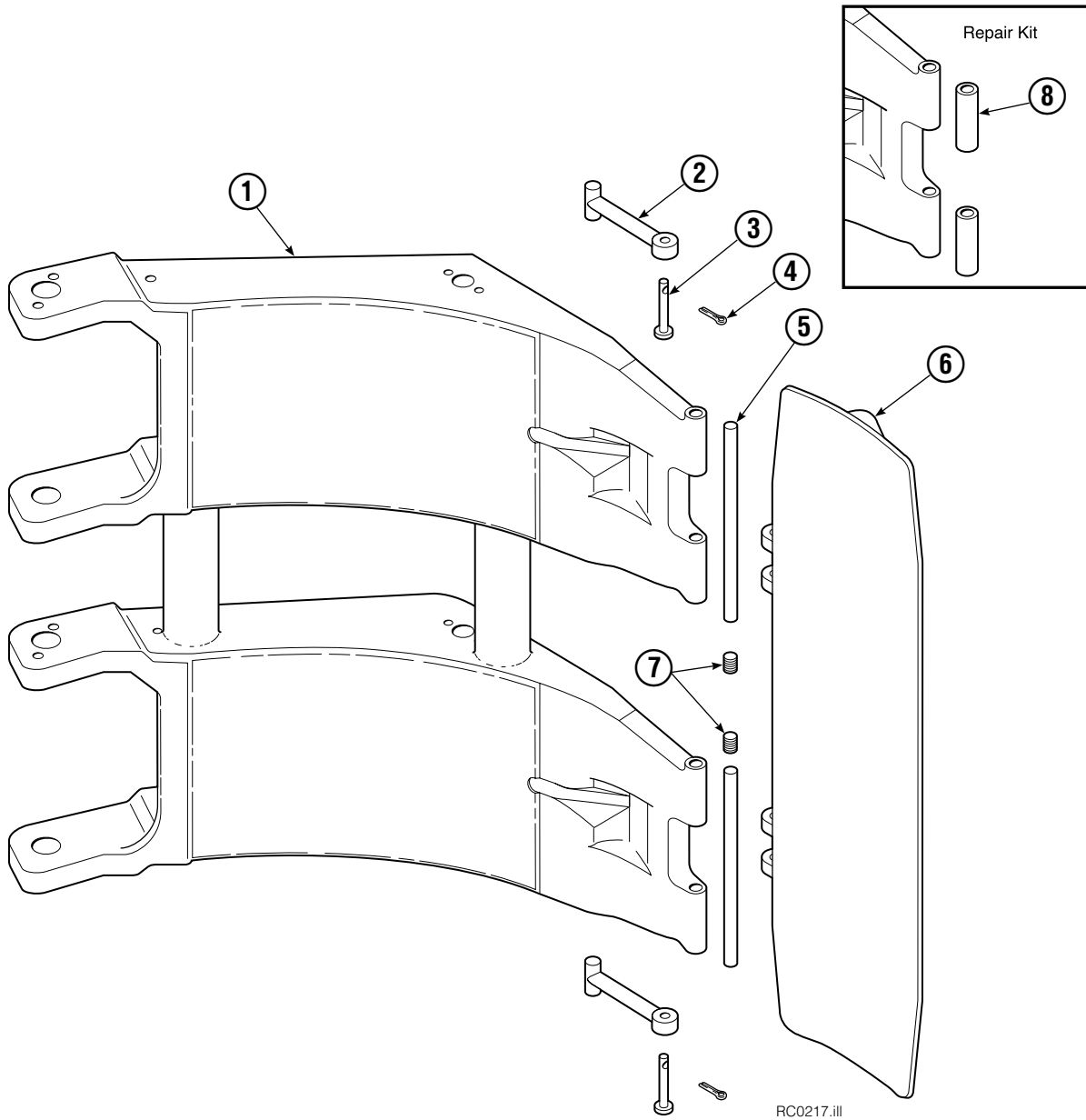
Ref: S-5305, S-5559

Link



| REF | QTY | PART NO. | DESCRIPTION |
|-----|-----|----------|-------------|
| 1 | 2 | 3007792 | Link |

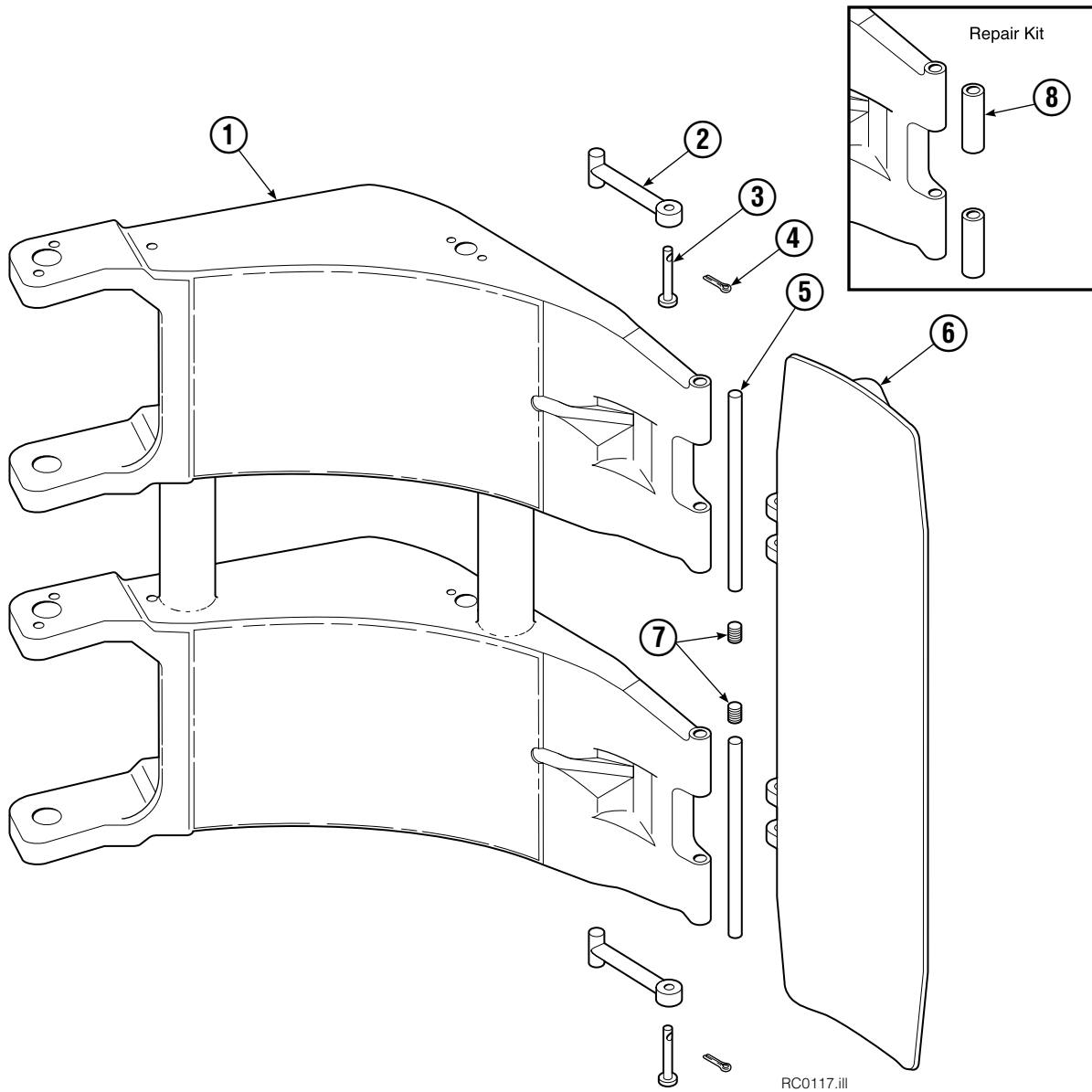
Contact Pad Group



| 45F | | | |
|-----|-----|----------|------------------------------|
| REF | QTY | PART NO. | DESCRIPTION |
| | | 6002783 | Contact Pad Group (2 thru 7) |
| 1 | 1 | 3011193 | Short Arm |
| 2 | 2 | 674700 | Link |
| 3 | 2 | 674265 | Clevis Pin |
| 4 | 2 | 6525 | Cotter Pin |
| 5 | 2 | 352355 | Pin |
| 6 | 1 | 6002784 | Contact Pad |
| 7 | 4 | 689900 | Plug |
| 8 | 1 | 674928 | Arm Tip Repair Kit |

Reference: S-20185.

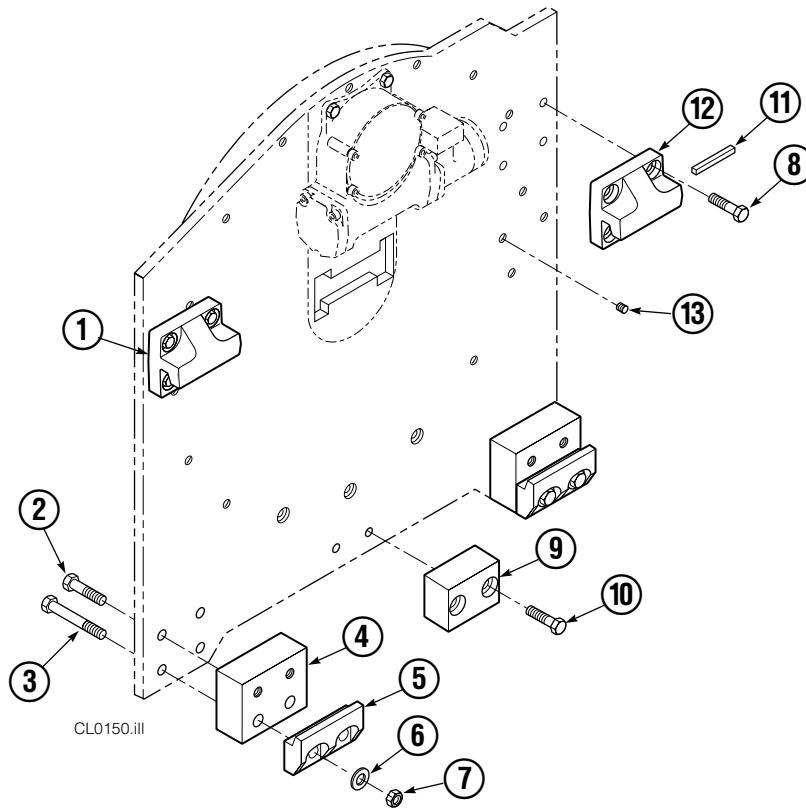
Contact Pad Group



| 45F | | | |
|-----|-----|----------|------------------------------|
| REF | QTY | PART NO. | DESCRIPTION |
| | | 6002783 | Contact Pad Group (2 thru 7) |
| 1 | 1 | 333951 | Long Arm |
| 2 | 2 | 674700 | Link |
| 3 | 2 | 674265 | Clevis Pin |
| 4 | 2 | 6525 | Cotter Pin |
| 5 | 2 | 352355 | Pin |
| 6 | 1 | 6002784 | Contact Pad |
| 7 | 4 | 689900 | Plug |
| 8 | 1 | 674928 | Arm Tip Repair Kit |

Reference: S-20185.

Mounting Group



Class III, 0°

| REF | QTY | PART NO. | DESCRIPTION |
|-----|-----|----------|-------------------------|
| | | 680632 | Mounting Group |
| 1 | 1 | 670527 | Upper Hook - LH |
| 2 | 4 | 641284 | Capscrew, 5/8 NC x 2.25 |
| 3 | 4 | 669305 | Capscrew, 5/8 NC x 5.00 |
| 4 | 2 | 682068 | Spacer |
| 5 | 2 | 675969 | Lower Hook |
| 6 | 4 | 667225 | Washer |
| 7 | 4 | 676281 | Nut, 5/8 |
| 8 | 8 | 667369 | Capscrew, 5/8 NC x 1.25 |
| 9 | 1 | 682067 | Center Spacer |
| 10 | 2 | 677828 | Capscrew, 1/2 NC x 1.00 |
| 11 | 1 | 669344 | Stop Kit |
| 12 | 1 | 670528 | Upper Hook - RH |
| 13 | 2 | 631385 | Plug, 5/8 |

Do you have questions you need answered right now? Call your nearest Cascade Parts Department. Visit us online at www.cascorp.com

Cascade Corporation
2501 Sheridan Avenue
Springfield, OH 45505
Tel: 888-CASCADE (227-2233)
FAX: 888-329-0234

Cascade Canada Inc.
5570 Timberlea Blvd.
Mississauga, Ontario
Canada L4W-4M6
Tel: 905-629-7777
FAX: 905-629-7785

Cascade GmbH
D-41199 Monchengladbach
Klosterhofweg 52
Germany
Tel: 49-216-668230
FAX: 49-216-6682323

Cascade Finland
Albert Petreliuksenkatu 3
01370 Vantaa
Finland
Tel: 358-9-836-1925
FAX: 358-9-836-1935

**Cascade N.V.
European Headquarters**
P.O. Box 3009
1300 El Almere
Damsluisweg 56
1332 ED Almere
The Netherlands
Tel: 31-36-5492911
FAX: 31-36-5492964

**Cascade N.V.
Benelux Sales and Service**
P.O. Box 3009
1300 El Almere
Damsluisweg 56
1332 ED Almere
The Netherlands
Tel: 31-36-5492950
FAX: 31-36-5492974

Cascade (UK) Ltd.
15, Orgreave Crescent
Dore House Industrial Estate
Handsworth
Sheffield S13 9NQ
England
Tel: 742-697524
FAX: 742-695121

Cascade Scandinavia AB
Box 124
Hammarvägen 10
567 23 Vaggeryd
Sweden
Tel: 42-0-393-36950
FAX: 46-0-393-36959

Cascade Norway
Østerliveien 37A
1153 Oslo
Norway
Tel: 47-22-743160
FAX: 47-22-743157

Cascade France S.A.R.L.
1D Rue De Charaintru
BP 18, 91360 Epinay-Sur-Orge
Morangis Cedex, France
Tel: 33-1- 64547500
FAX: 33-1-64547501

Cascade Hispania S.A.
Carrer 5 Sector C
Zona Franca Duanera
Poligono de la Zon Franca
08040 Barcelona, Spain
Office No. 256
Tel: 93-264-07-30
FAX: 93-264-07-31

Cascade Japan Ltd.
5-5-41,
Torikai Kami
Settsu, Osaka
Japan, 566
Tel: 81-726-53-3490
FAX: 81-726-53-3497

Cascade Korea
108B, Namdong Ind Complex
658-3 Gojan-Dong
Namdong-Gu
Inchon, 405-310 Korea
Tel: 82-32-821-2051
FAX: 82-32-821-2055

Cascade Australia
1445 Ipswich Road
Rocklea, QLD 4106
Australia
Tel: 1-800227-223
FAX: (07) 3373-7333

Cascade New Zealand
15 Ra Ora Drive
East Tamaki, Auckland
New Zealand
Tel: 9-273-9136
FAX: 9-273-9137

Cascade (Africa) Pty. Ltd.
P.O. Box 625, Isando 1600
60A Steel Road
Sparton, Kempton Park
South Africa
Tel: 27-11-975-9240
FAX: 27-11-394-1147

Cascade-Xiamen
No. 668 Yangguang Rd.
Xinyang Industrial Zone
Haicang, Xiamen City
Fujian Province
P.R. China 361026
Tel: 86-592-651-2500
FAX: 86-592-651-2571

**Cascade (Singapore)
Trading Co.**
Four Seasons Park
Autumn Block - Apt. 1802
12 Cuscaden Walk
Singapore
Tel: 65-834-1935
FAX: 65-834-1936

