



Parts Manual

Model _____ **Carton Clamp**

Serial Number _____ **30E-CCS-188**

cascade[®]
corporation

For Technical Assistance call: 800-227-2233, Fax: 888-329-8207

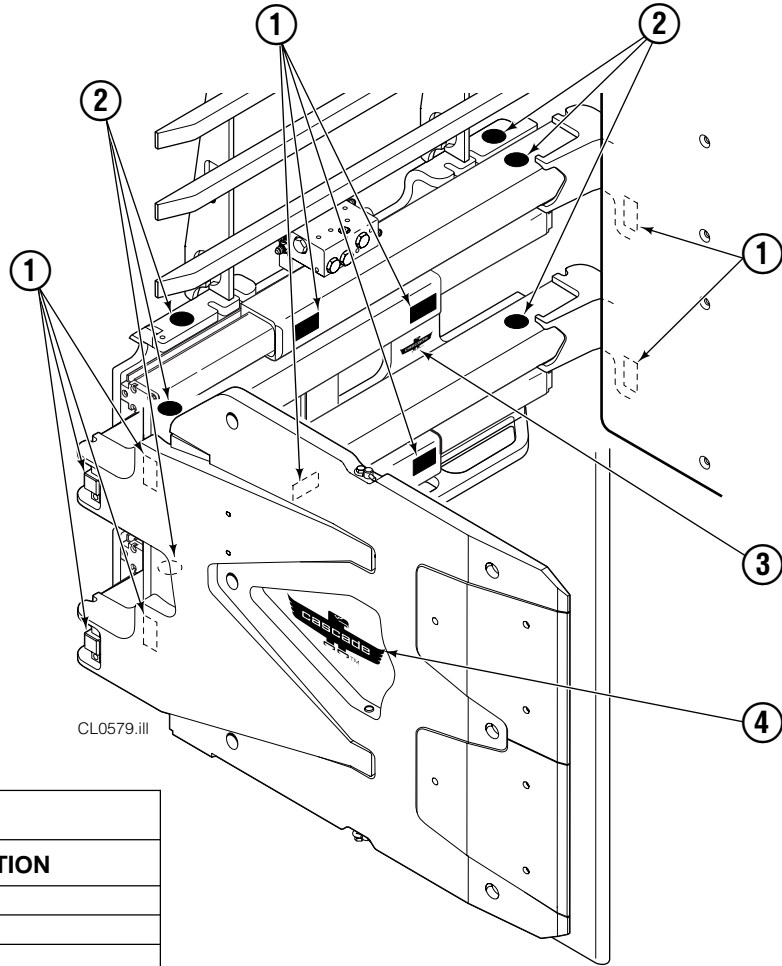
To Order Parts call: 888-227-2233, Fax: 888-329-0234

OR

Write: Cascade Corporation, P.O. Box 20187, Portland, OR 97220

Internet: www.cascorp.com

Decals



CL0579.ill

30E			
REF	QTY	PART NO.	DESCRIPTION
1	12	665595	No Hand Hold Decal
2	6	679150	No Step Decal
3	1	211274	Eagle - 80 mm
4	2	211276	Eagle - 240 mm

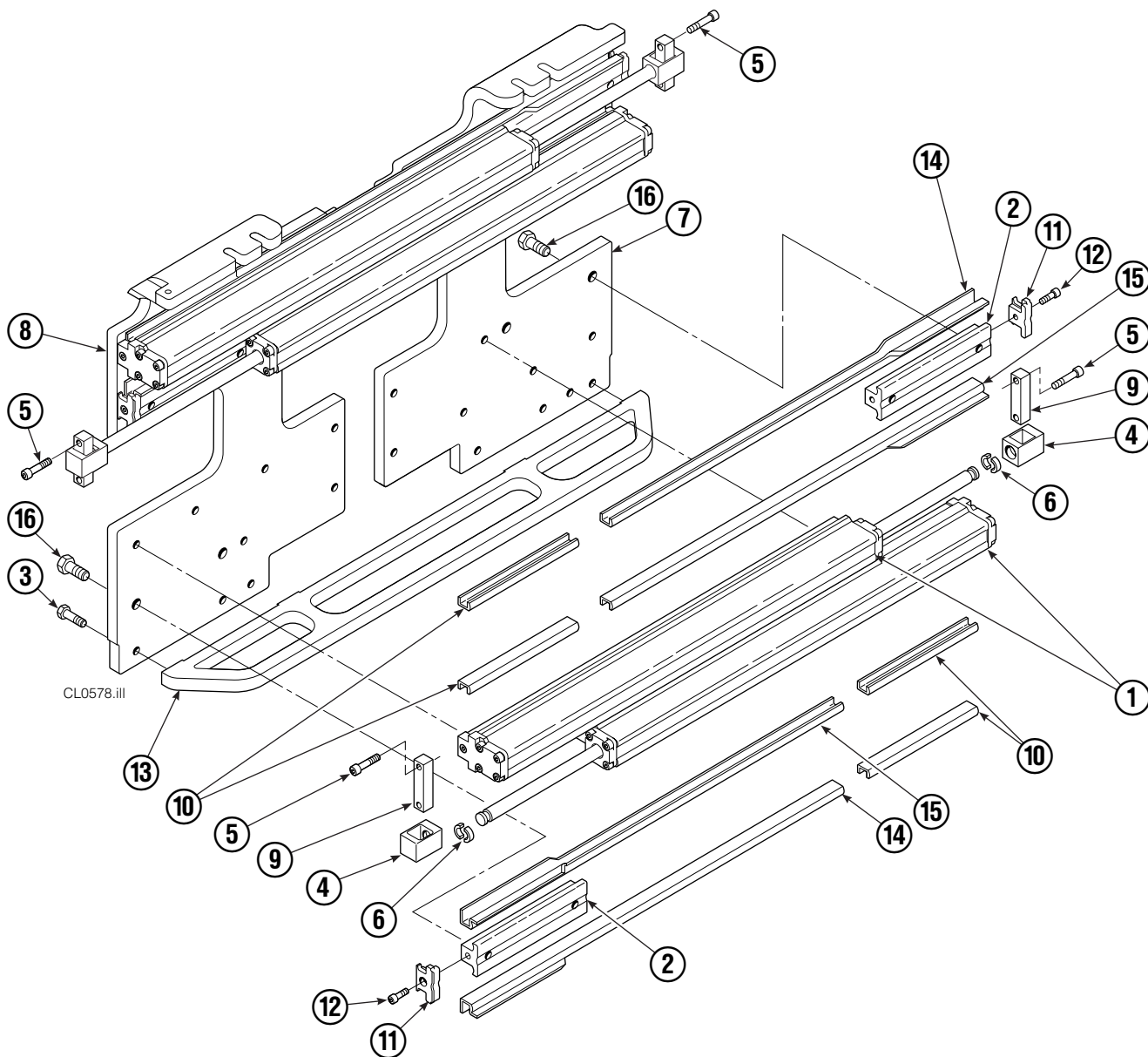
Publications



GA0006.eps

30E	
PART NO.	DESCRIPTION
	Parts Manual
215204	Service Manual
210273	Operator's Guide
212116	Installation Instructions
679929	Tool Catalog
673964	Literature Index Order Form

Base Unit Group



30E							
REF	QTY	PART NO.	DESCRIPTION	REF	QTY	PART NO.	DESCRIPTION
		217495	Base Unit Group	9	4	210489	Rod End Anchor ●
1	4	210117	Cylinder ▲	10	8	213735	Bearing Spacer
2	4	217001	T-Bar	11	4	210140	Bearing Retainer
3	28	211689	Capscrew, M12 x 30 GR 10.9	12	4	787375	Capscrew, M8 x 20
4	4	209741	Rod End ●	13	1	212500	Bumper
5	8	768303	Capscrew, M10 x 35 ●	14	4	209120	Bearing
6	8	210490	Retainer Half Ring ●	15	4	209119	Bearing
7	1	216997	Baseplate – LH	16	8	211128	Capscrew, M16 x 30 GR 10.9
8	1	216998	Baseplate – RH			213856	Service Kit

▲ See Cylinder page for parts breakdown.

● Included in Cylinder Rod Anchor Kit 213856.

Reference: SK-6089.

Cylinder



30E							
REF	QTY	PART NO.	DESCRIPTION	REF	QTY	PART NO.	DESCRIPTION
		210117	Cylinder Assembly	8	2	210053	O-Ring ▲
1	1	210118	Cylinder/Shell	9	2	210050	Back-Up Ring ▲
2	1	4157-820	Rod	10	1	212477	Seal ▲
3	1	213783	Cap	11	1	209808	Seal ▲
4	8	768208	Capscrew, M8 x 25	12	2	214053	O-Ring ▲
5	1	209809	Bearing ▲	13	1	562131	Wiper ▲
6	1	787375	Capscrew, M8 x 20			210090	Service Kit
7	1	212452	Retainer				

▲ Included in Service Kit 210090.

Reference: S-4644, S-4643.

Hydraulic Group



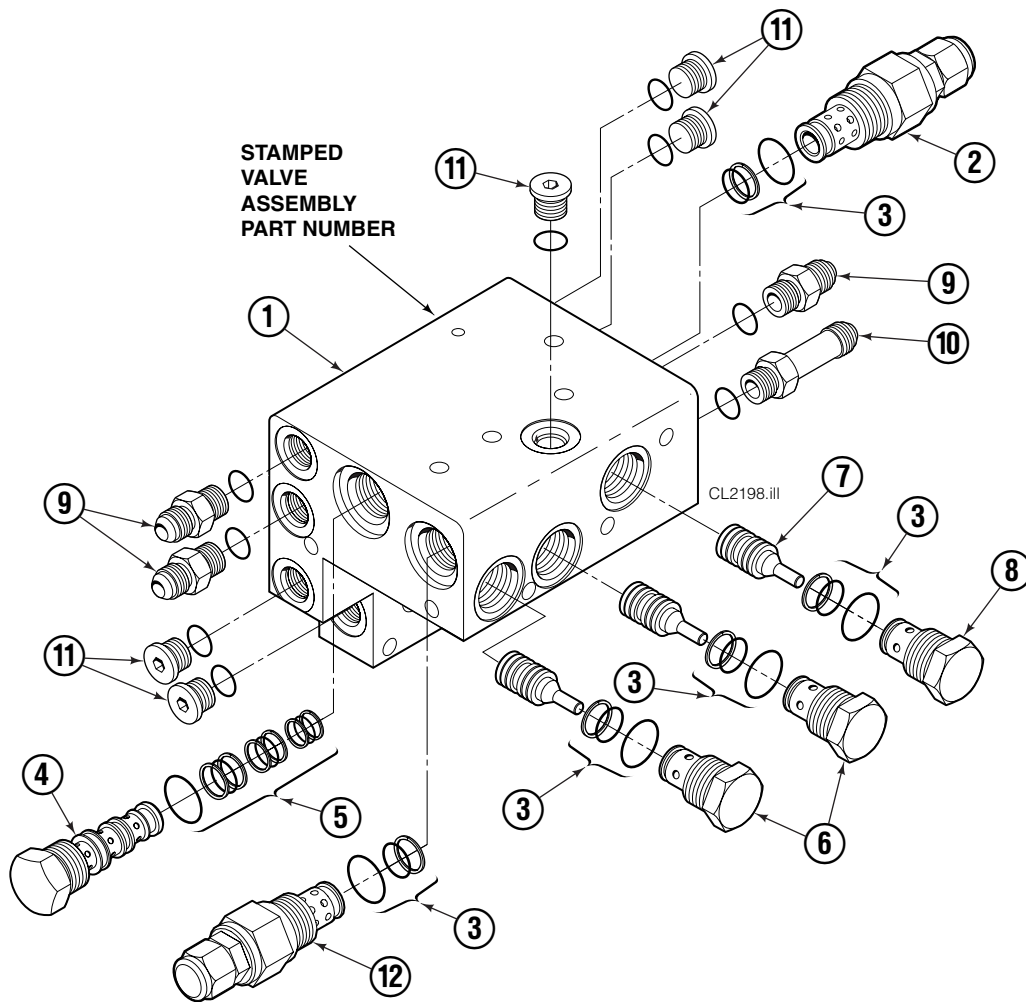
30E			
REF	QTY	PART NO.	DESCRIPTION
		215872	Hydraulic Group
		212983	Manifold Group
1	1	215873	Valve Assembly ▲
2	6	768208	Capscrew, M8 x 25
3	2	768797	Capscrew, M8 x 40
4	2	768800	Capscrew, M8 x 60
5	11	214053	O-Ring, 90 Durometer
6	1	212974	Manifold

▲ See Valve page for parts breakdown,
part number stamped on valve.

Reference: SK-6090.

Valve

Sideshifting Without Regeneration

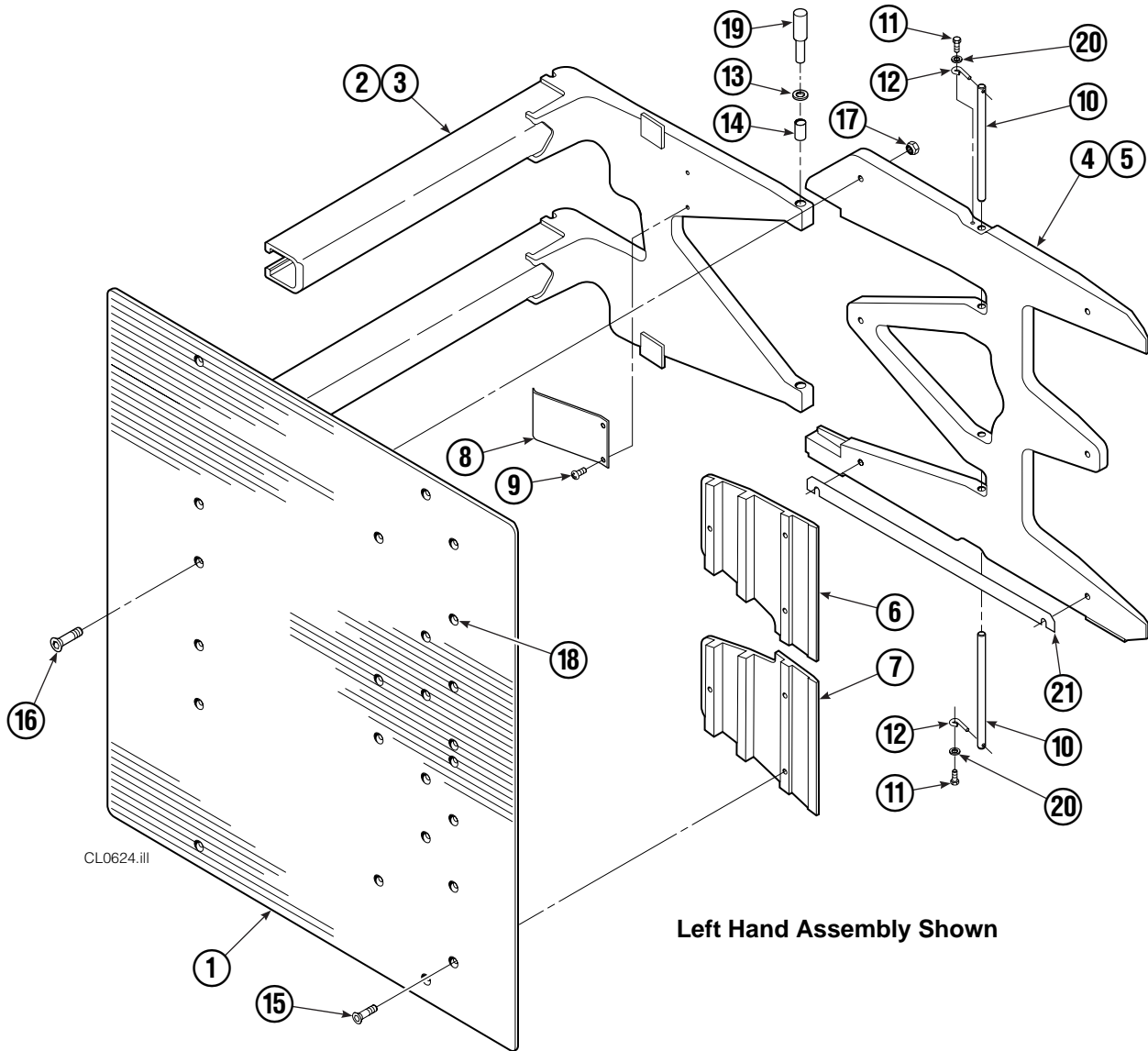


REF	QTY	PART NO.	DESCRIPTION
		215873	Valve Assembly
1	1	215874	Valve Body
2	1	214405	Crossover Relief Valve
3	5	682170	Seal Kit ▲
4	1	210266	Flow Divider/Combiner
5	1	679992	Seal Kit ▲
6	2	209847	Check Valve
7	3	215756	Piston
8	1	6025134	Check Valve
9	3	604511	Fitting, 6-6 ●
10	1	605743	Fitting, 6-6 ●
11	5	604510	Fitting, 6
12	1	215876	Crossover Relief Valve
		210452	Valve Service Kit

▲ Included in Valve Service Kit 210452.

● Included in Fitting Group 212978.

Arms and Pads



30E			
REF	QTY	PART NO.	DESCRIPTION
1	2	3010257	Contact Pad – 53 in. Wide x 46 in. High
2	1	214401	Arm – LH
3	1	214402	Arm – RH
4	1	210404	Stabilizer – LH
5	1	210407	Stabilizer – RH
6	2	210180	Filler Block – LH Upper/RH Lower
7	2	210179	Filler Block – LH Lower/RH Upper

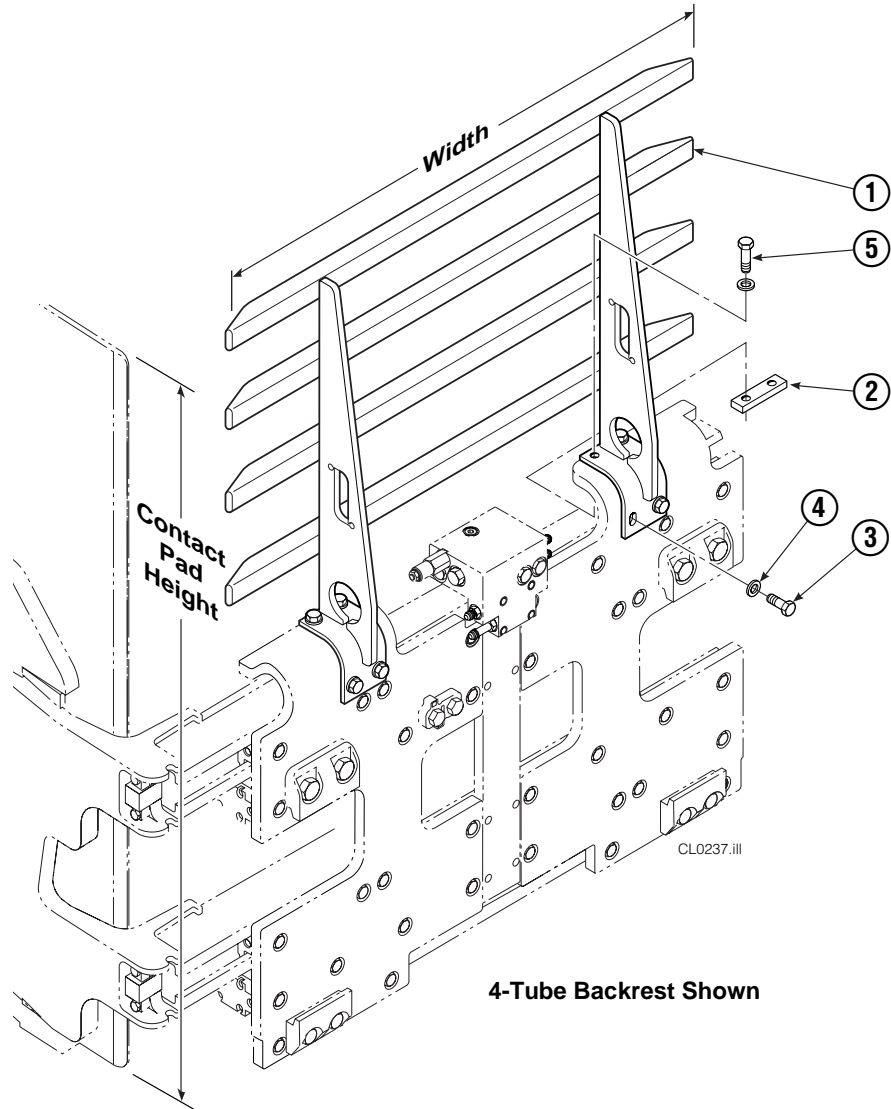
Common Parts

REF	QTY	PART NO.	DESCRIPTION	REF	QTY	PART NO.	DESCRIPTION
8	2	210154	Spring	15	12	766646	Capscrew, M10 x 20
9	4	203405	Capscrew, M10 x 16	16	12	768706	Capscrew, M12 x 35
10	4	210161	Pin	17	12	773842	Nut, M12
11	4	787372	Capscrew, M8 x 20	18	▲	673841	Contact Pad Repair Kit
12	4	682999	Eye Pin	19	1	675626	Bushing Driver Tool
13	10	675620	Washer, M10	20	4	787398	Washer, M8
14	8	200590	Bushing	21	4	217492	Shim Kit

S-4246; Common Parts: 210495.
Stabilizer Group: 210410.

▲ Repairs one hole.

Backrest Group



30E			
REF	QTY	CONTACT PAD HEIGHT	
		46 in. (1170 mm) – 3-Tube	DESCRIPTION
1	1	3010258	Backrest
2	2	210155	Plate
3	4	211689	Capscrew, M12 x 30
4	8	667910	Washer, M12
5	4	206174	Capscrew, M12 x 45

Reference: 211448 (items 2 thru 5), S-4198, S-4265.

Quick-Change Mounting Group



CL0235.iii

REF	QTY	ITA II	DESCRIPTION
		PART NO.	
		211162	Upper Mounting Group ▲
		211174	Lower Mounting Group ●
1	2	210491	Upper Hook
2	4	768577	Capscrew, M20 x 35
3	1	212999	Center Key
4	2	211129	Capscrew, M16 x 35
5	2	675514	Lower Hook
6	2	675515	Guide
7	2	678832	Pin
8	4	211180	Capscrew, M16 x 30

▲ Includes items 1–4.

● Includes items 5–8.

Reference: SK-6089.

Do you have questions you need answered right now? Call your nearest Cascade Parts Department. Visit us online at www.cascorp.com

Cascade Corporation
2501 Sheridan Avenue
Springfield, OH 45505
Tel: 888-CASCADE (227-2233)
FAX: 888-329-0234

Cascade Canada Inc.
5570 Timberlea Blvd.
Mississauga, Ontario
Canada L4W-4M6
Tel: 905-629-7777
FAX: 905-629-7785

Cascade GmbH
D-41199 Monchengladbach
Klosterhofweg 52
Germany
Tel: 49-216-668230
FAX: 49-216-6682323

Cascade Finland
Albert Petreliuksenkatu 3
01370 Vantaa
Finland
Tel: 358-9-836-1925
FAX: 358-9-836-1935

**Cascade N.V.
European Headquarters**
P.O. Box 3009
1300 El Almere
Damsluisweg 56
1332 ED Almere
The Netherlands
Tel: 31-36-5492911
FAX: 31-36-5492964

**Cascade N.V.
Benelux Sales and Service**
P.O. Box 3009
1300 El Almere
Damsluisweg 56
1332 ED Almere
The Netherlands
Tel: 31-36-5492950
FAX: 31-36-5492974

Cascade (UK) Ltd.
15, Orgreave Crescent
Dore House Industrial Estate
Handsworth
Sheffield S13 9NQ
England
Tel: 742-697524
FAX: 742-695121

Cascade Scandinavia AB
Box 124
Hammarvägen 10
567 23 Vaggeryd
Sweden
Tel: 42-0-393-36950
FAX: 46-0-393-36959

Cascade Norway
Østerliveien 37A
1153 Oslo
Norway
Tel: 47-22-743160
FAX: 47-22-743157

Cascade France S.A.R.L.
1D Rue De Charaintru
BP 18, 91360 Epinay-Sur-Orge
Morangis Cedex, France
Tel: 33-1- 64547500
FAX: 33-1-64547501

Cascade Hispania S.A.
Carrer 5 Sector C
Zona Franca Duanera
Poligono de la Zon Franca
08040 Barcelona, Spain
Office No. 256
Tel: 93-264-07-30
FAX: 93-264-07-31

Cascade Japan Ltd.
5-5-41,
Torikai Kami
Settsu, Osaka
Japan, 566
Tel: 81-726-53-3490
FAX: 81-726-53-3497

Cascade Korea
108B, Namdong Ind Complex
658-3 Gojan-Dong
Namdong-Gu
Inchon, 405-310 Korea
Tel: 82-32-821-2051
FAX: 82-32-821-2055

Cascade Australia
1445 Ipswich Road
Rocklea, QLD 4106
Australia
Tel: 1-800227-223
FAX: (07) 3373-7333

Cascade New Zealand
15 Ra Ora Drive
East Tamaki, Auckland
New Zealand
Tel: 9-273-9136
FAX: 9-273-9137

Cascade (Africa) Pty. Ltd.
P.O. Box 625, Isando 1600
60A Steel Road
Sparton, Kempton Park
South Africa
Tel: 27-11-975-9240
FAX: 27-11-394-1147

Cascade-Xiamen
No. 668 Yangguang Rd.
Xinyang Industrial Zone
Haicang, Xiamen City
Fujian Province
P.R. China 361026
Tel: 86-592-651-2500
FAX: 86-592-651-2571

**Cascade (Singapore)
Trading Co.**
Four Seasons Park
Autumn Block - Apt. 1802
12 Cuscaden Walk
Singapore
Tel: 65-834-1935
FAX: 65-834-1936

