



Parts Manual

Model 60D Carton Clamp

Serial Number 60D-CCS-124

cascade[®]
corporation

For Technical Assistance call: 800-227-2233, Fax: 888-329-8207

To Order Parts call: 888-227-2233, Fax: 888-329-0234

OR

Write: Cascade Corporation, P.O. Box 20187, Portland, OR 97220

Internet: www.cascorp.com

Safety Decals



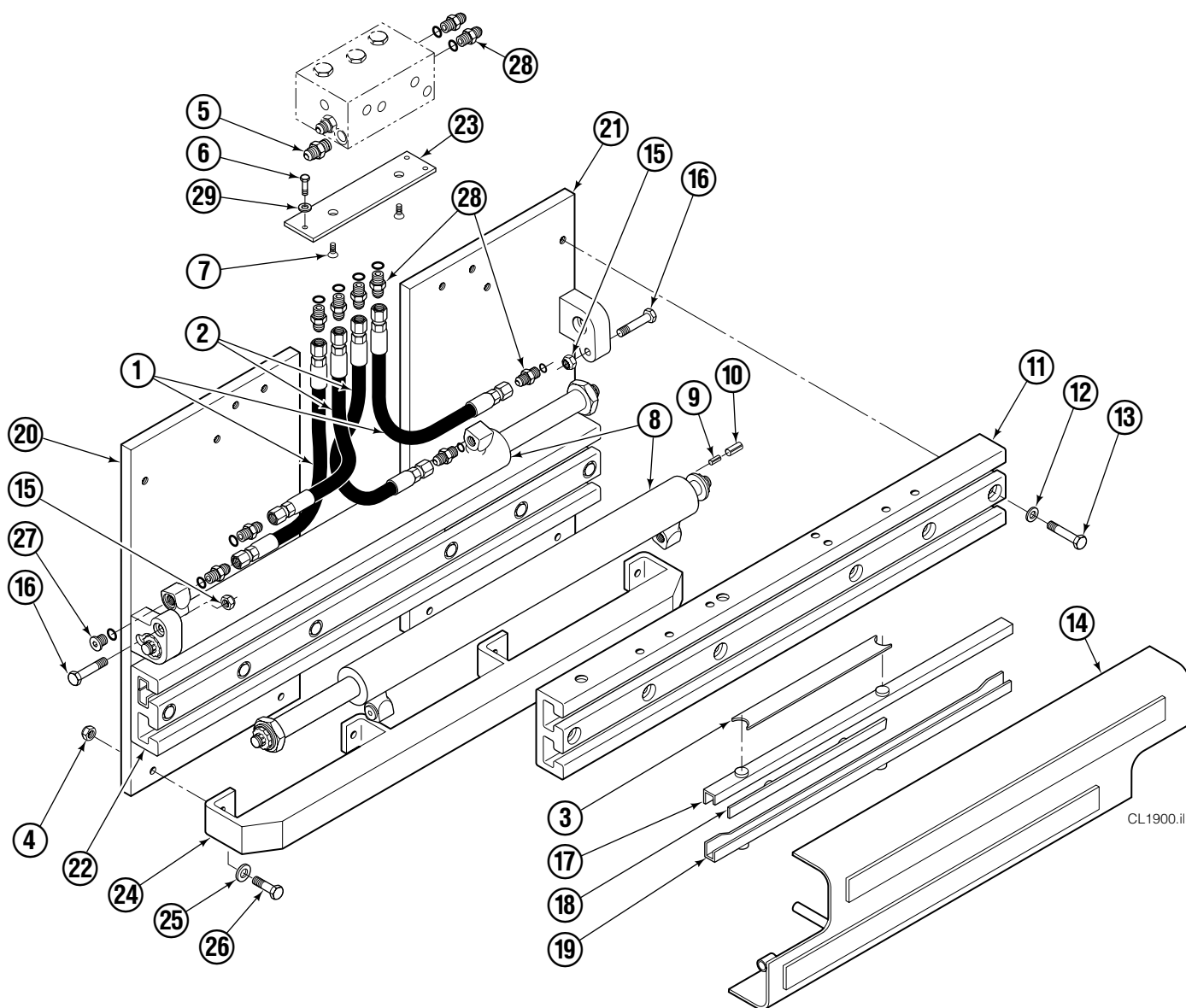
REF	QTY	PART NO.	DESCRIPTION
1	1	679150	No Step Decal
2	2	665595	No Hand Hold Decal
3	1	679059	Quick Change Hook Decal

Publications



PART NO.	DESCRIPTION
670487	Service Manual
670834	Operators Guide
670488	Installation Instructions
680664	Servicing Cascade Cylinders-VHS
679929	Tool Catalog
673964	Literature Index Order Form

Base Unit Group



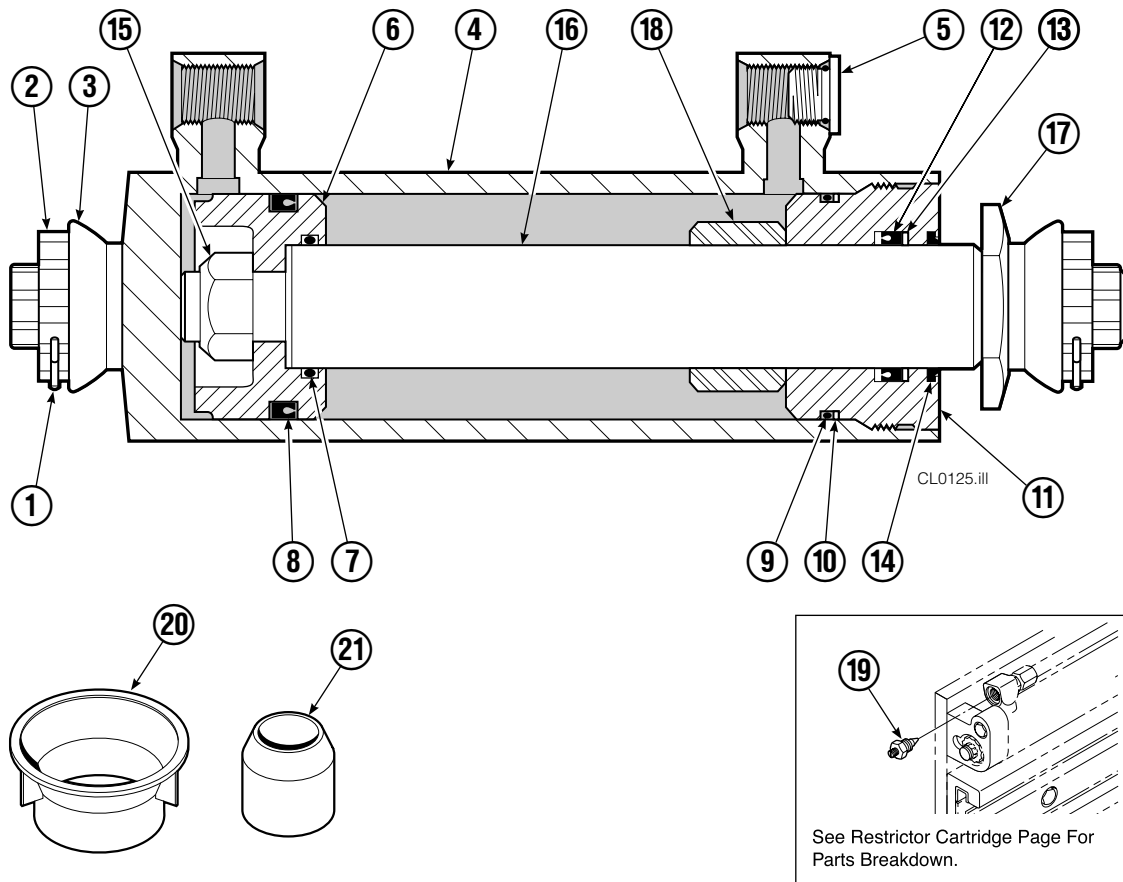
60D							
REF	QTY	PART NO.	DESCRIPTION	REF	QTY	PART NO.	DESCRIPTION
1	2	207425	Hose, 24.00 in.	16	2	640699	Capscrew, 1/2 NC x 2.75
2	2	688696	Hose, 17.50 in.	17	4	667662	Bearing
3	1	675326	Shim Kit ●	18	4	667663	Bearing
4	4	665707	Nut	19	4	667661	Bearing
5	1	601377	Fitting, 8-8	20	1	678939	Mounting Plate - RH
6	3	3602	Capscrew	21	1	678938	Mounting Plate - LH
7	2	4750	Capscrew, 3/8 NC x .75	22	1	674167	Frame - Lower
8	2	667666	Cylinder ▲	23	1	669957	Plate
9	2	7861	Roll Pin - Inner	24	1	670078	Lower Bumper
10	2	7962	Roll Pin - Outer	25	4	6205	Washer, 1/2 in. ID
11	1	340356	Frame - Upper	26	4	640013	Capscrew, 1/2 NC x 1.75
12	8	667225	Washer	27	2	602580	Fitting, 8
13	8	667644	Capscrew	28	10	611288	Fitting, 6-8
14	1	670084	Bumper	29	3	6288	Washer
15	2	665707	Nut, 1/2 in. ID				

● Includes two .015 Shims and eight .020 Shims.

Reference: Basic Group 372293, S-3198.

▲ See Cylinder page for parts breakdown.

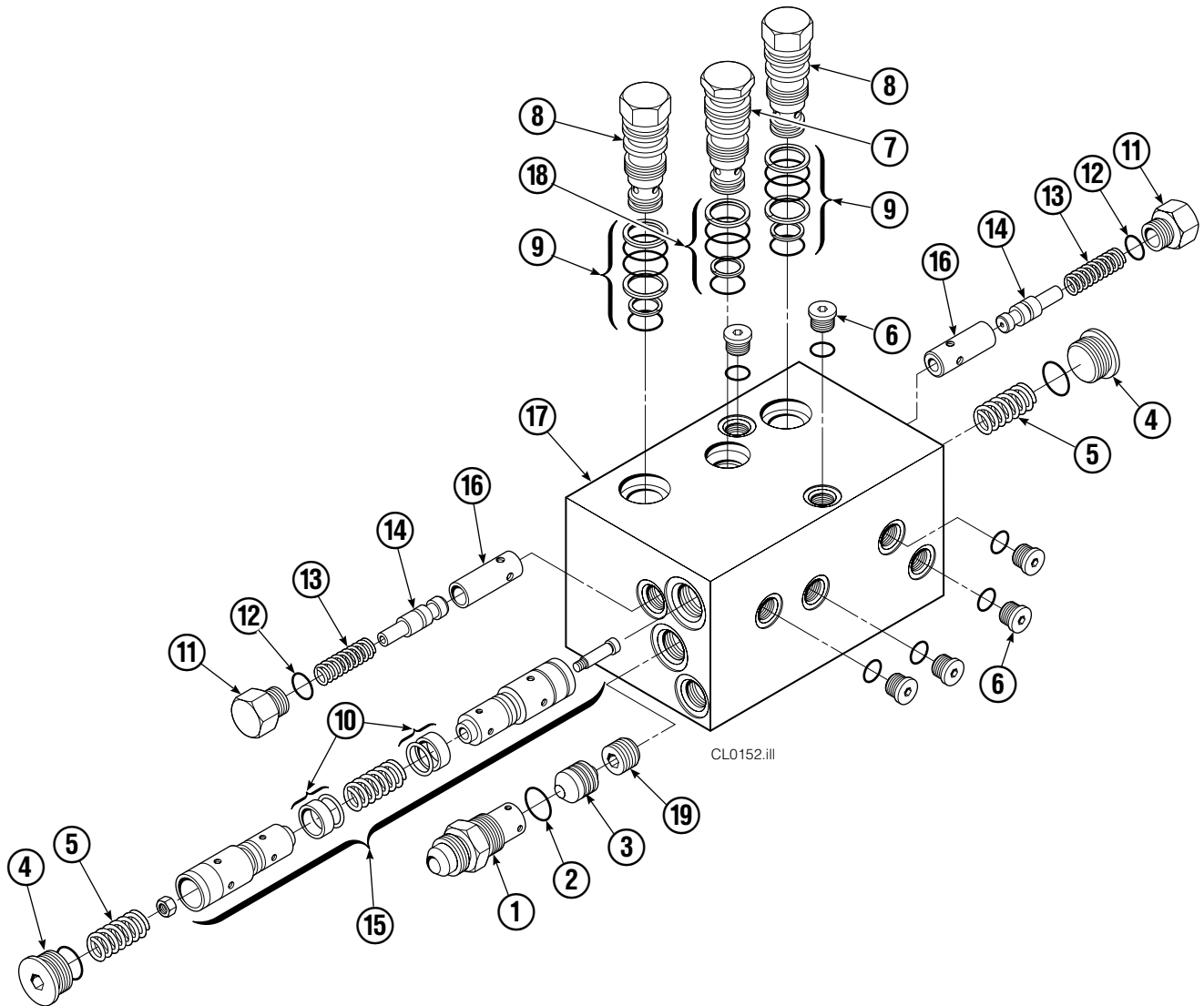
Cylinder



50D			
REF	QTY	PART NO.	DESCRIPTION
		667666	Cylinder Assembly
1	2	6511	Cotter Pin ■
2	2	667667	Nut Retainer ■
3	2	667668	Nut ■
4	1	553760	Shell
5	1	602580	Fitting
6	1	558402	Piston
7	1	2722	O-Ring ▲
8	1	557376	Seal ▲
9	1	2791	O-Ring ▲
10	1	615134	Back-Up Ring ▲
11	1	667675	Retainer
12	1	662451	Seal ▲
13	1	638246	Nylon Ring ▲
14	1	564930	Wiper ▲
15	1	561012	Nut
16	1	667670	Rod
17	1	667676	Washer
18	1	—	Spacer
19	1	667609	Restrictor Cartridge ●
20	1	671049	Seal Loader, Piston ▲
21	1	671052	Seal Loader, Retainer ▲
		667723	Service Kit

- ▲ Included in Service Kit 667723.
 - Included in Nut Service Kit 668925.
 - Not included in Cylinder Assembly.
- Reference: S-7666.

Check Valve



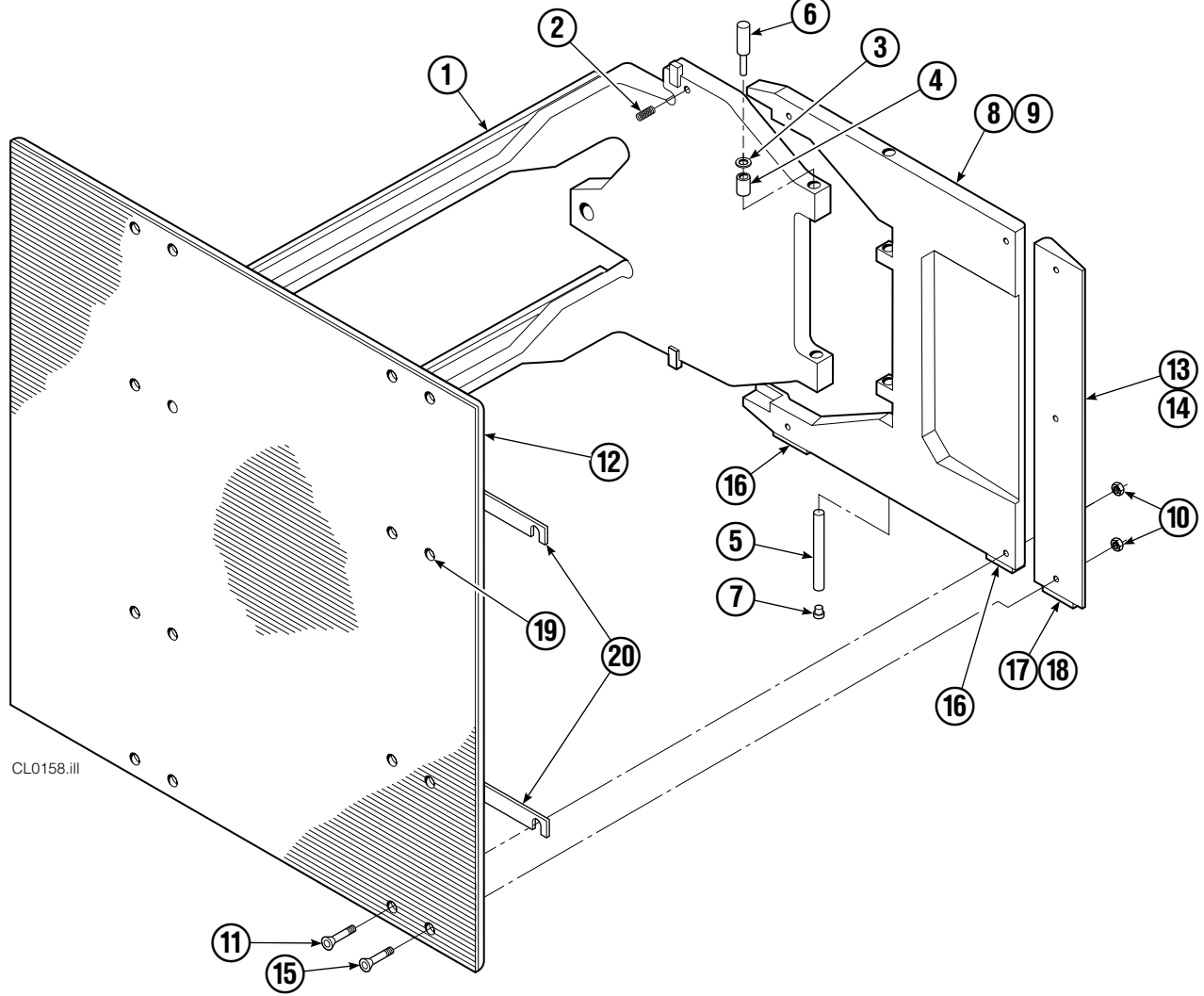
REF	QTY	PART NO.	DESCRIPTION	REF	QTY	PART NO.	DESCRIPTION
		669762	Check Valve – Flow Divider	11	2	667494	Fitting
1	1	667490	Special Fitting	12	2	2840	O-Ring ●
2	1	2841	O-Ring ●	13	2	673098	Spring
3	1	667471	Spool	14	2	667492	Poppet
4	2	609453	Fitting, 10	15	1	673089	Spool Assembly
5	2	667487	Spring	16	2	667491	Sleeve
6	6	604510	Fitting, 6	17	1	669763	Valve Body
7	1	678270	Check Valve – VPO	18	1	661347	Service Kit ●
8	2	659058	Check Valve – PO	19	1	676343	Regeneration Elimination Plug ■
9	2	667516	Service Kit ●			667513	Service Kit
10	1	679846	Low Flow Spool Kit				

● Included in Service Kit 667513.

■ For eliminating regeneration circuit only. See Tech. Bulletin 121.

Reference: SK-5302.

Contact Pad and Arm



CL0158.ill

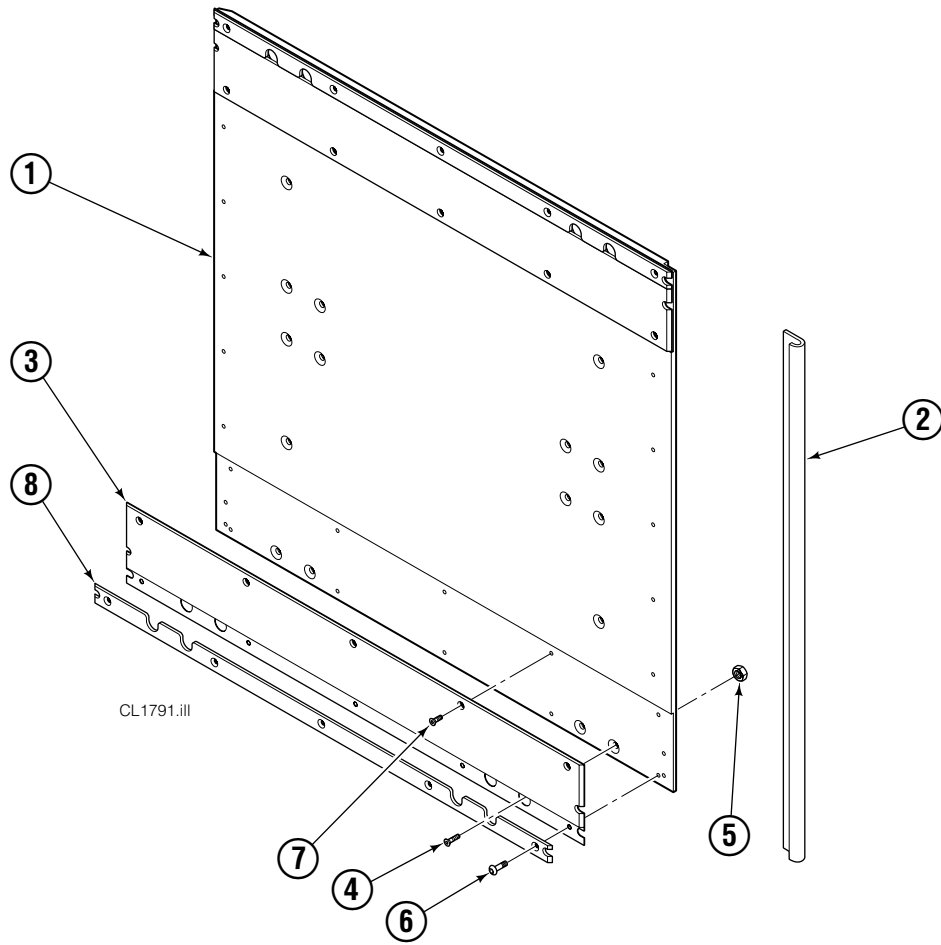
60D			
REF	QTY	41 x 60 PART NO.	DESCRIPTION
1	2	677278	Arm
2	2	661212	Spring
3	■	629312	Washer
4	4	677208	Bushing
5	4	677206	Pin
6	1	675626	Bushing Driver Tool
7	4	602579	Plug
8	1	372298	Stabilizer - R.H.
9	1	372297	Stabilizer - L.H.
10	14	550218	Nut
11	6	4674	Capscrew, .5 NF
12	2	395678	Contact Pad Group ●
13	1	677146	Tip - L.H.
14	1	677145	Tip - R.H.
15	6	4672	Capscrew
16	1	675614	Stabilizer Wear Tile
17	2	208860	Tip Wear Tile - L.H.
18	2	208860	Tip Wear Tile - R.H.
19	▲	676841	Contact Pad Repair Kit
20	■	677094	Shim

■ As required for proper adjustment. ▲ Repairs one hole.

● See C/P Group page for parts breakdown.

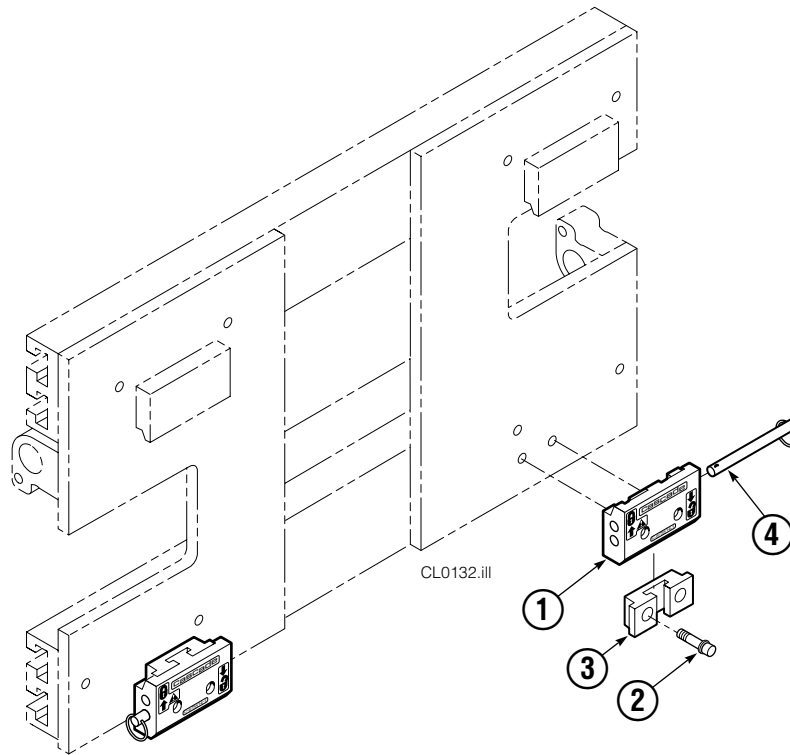
Reference: Basic Group 372293, S-3198

Contact Pad Group



60D			
REF	QTY	PART NO.	DESCRIPTION
		395678	Contact Pad Group
1	2	372299	Contact Pad
2	4	372300	Edge Guard
3	4	372301	Wear Strip
4	48	4731	Capscrew, .25 x .75
5	48	6097	Nut, .25
6	20	4871	Capscrew, .312 x .75
7	20	4729	Capscrew, .25 x .50
8	4	372302	Wear Strip Guard

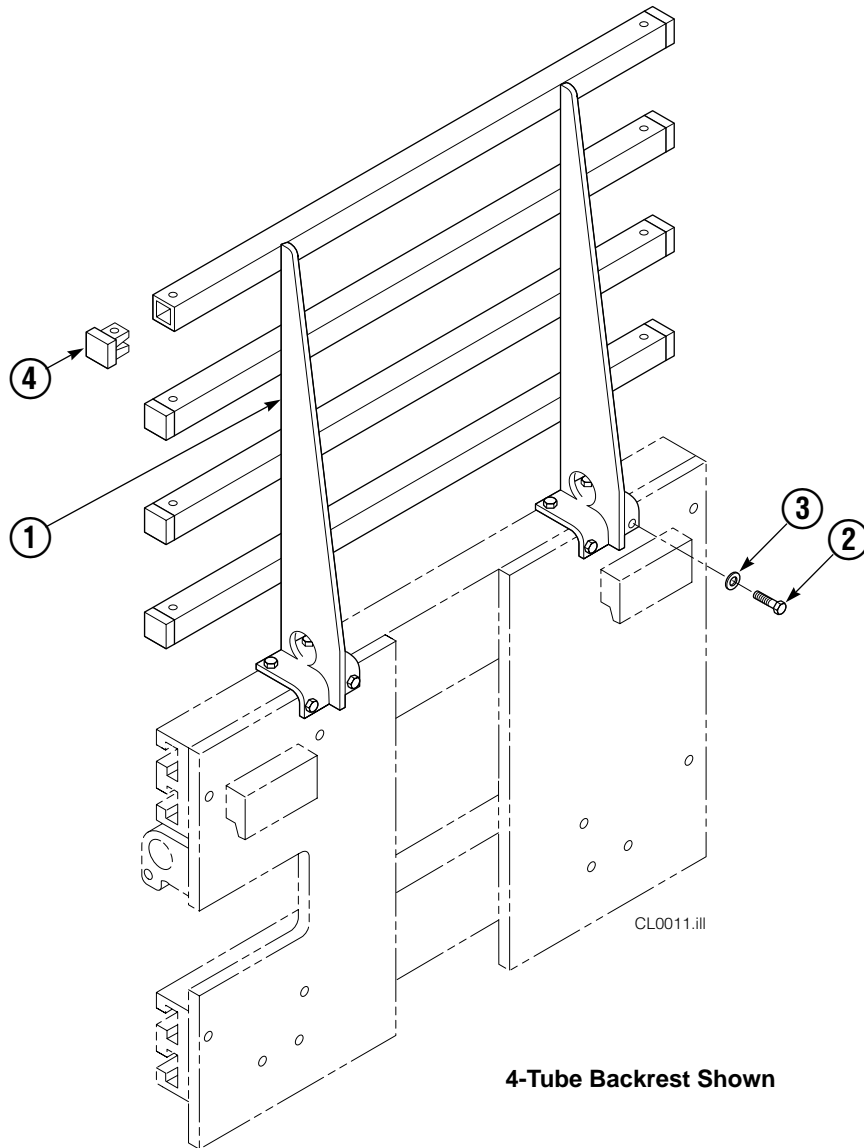
Quick Change Mounting Group



Class III			
REF	QTY	PART NO.	DESCRIPTION
		678834	Lower Hook Group
1	2	675957	Hook
2	4	678943	Capscrew, 5/8 NC x 1.50
3	2	675958	Guide
4	2	678832	Pin

Reference: S-3197.

Backrest Group



REF	QTY	PART NO.	DESCRIPTION
		372294	Backrest Group
1	1	364526	Backrest
2	12	633801	Capscrew, 1/2 x 1-1/4 NC
3	12	6290	Lockwasher, 1/2 in. ID
4	▲	674356	Tube End

▲ As required.

Do you have questions you need answered right now? Call your nearest Cascade Parts Department.

Cascade Corporation
2501 Sheridan Avenue
Springfield, OH 45505
Tel: 888-CASCADE (227-2233)
FAX: 888-329-0234
www.cascorp.com

Cascade Canada Inc.
5570 Timberlea Blvd.
Mississauga, Ontario
Canada L4W-4M6
Tel: 905-629-7777
FAX: 905-629-7785

Cascade GmbH
D-41199 Monchengladbach
Klosterhofweg 52
Germany
Tel: 21-66-602091
FAX: 21-66-680947

Cascade Finland
01370 Vantas
Finland
Tel: 358-0-836-1925
FAX: 358-0-836-1935

**Cascade N.V.
European Headquarters**
P.O. Box 3009
1300 El Almere
Damsluisweg 56
1332 ED Almere
The Netherlands
Tel: 31-36-5492911
FAX: 31-36-5492964

**Cascade N.V.
Benelux Sales and Service**
P.O. Box 3009
1300 El Almere
Damsluisweg 56
1332 ED Almere
The Netherlands
Tel: 31-36-5492950
FAX: 31-36-5492974

Cascade (UK) Ltd.
15, Orgreave Crescent
Dore House Industrial Estate
Handsworth
Sheffield S13 9NQ
England
Tel: 742-697524
FAX: 742-695121

**Cascade Scandinavia
Hydraulik A.B.**
Muskötgatan 19, E8-9
S25466 Helsingborg
Sweden
Tel: 42-151135
FAX: 42-152997

Cascade Norway
Østerliveien 37A
1153 Oslo
Norway
Tel: 47-22-743160
FAX: 47-22-743157

Cascade France S.A.R.L.
11, Rue Jean Charcot
Zone Industrielle Sud or
B.P. 22
91421 Morangis Cedex
France
Tel: 1- 64547501
FAX: 1-9790584

Cascade Hispania S.A.
Avenida De La Fabregada, 7
Hospitalet De Llobregat
Barcelona
Spain
Tel: 3-335-5158
FAX: 3-335-4756

Cascade Japan Ltd.
5-5-41,
Torikai Kami
Settsu, Osaka
Japan, 566
Tel: 81-726-53-3490
FAX: 81-726-53-3497

Cascade Korea
Room 508, Pum Yang Bldg.
750-14, Bang Bac-Dong
Se-Cho Ku, Seoul
Korea
Tel: 2599-7131 ext. 512
FAX: 2533-8089

Cascade Australia
1445 Ipswich Road
Rocklea, QLD 4106
Australia
Tel: 1-800227-223
FAX: (07) 3373-7333

Cascade New Zealand
15 Ra Ora Drive
East Tamaki, Auckland
New Zealand
Tel: 9-273-9136
FAX: 9-273-9137

Cascade (Africa) Pty. Ltd.
P.O. Box 625, Isando 1600
60A Steel Road
Sparton, Kempton Park
South Africa
Tel: 975-9240
FAX: 394-1147

Cascade-Xiamen
No. 668 Yangguang Rd.
Xinyang Industrial Zone
Haicang, Xiamen
Fujian Province
P.R. China 361026
Tel: 592-651-2500
FAX: 592-651-2571

**Cascade (Singapore)
Trading Co.**
Four Seasons Park
Autumn Block - Apt. 1802
12 Cascaden Walk
Singapore
Tel: 65-834-1935
FAX: 65-834-1936

