



Parts Manual

Model Single-Double Pallet Handler

Serial Number 50D-ES-167

cascade[®]
corporation

For Technical Assistance call: 800-227-2233, Fax: 888-329-8207

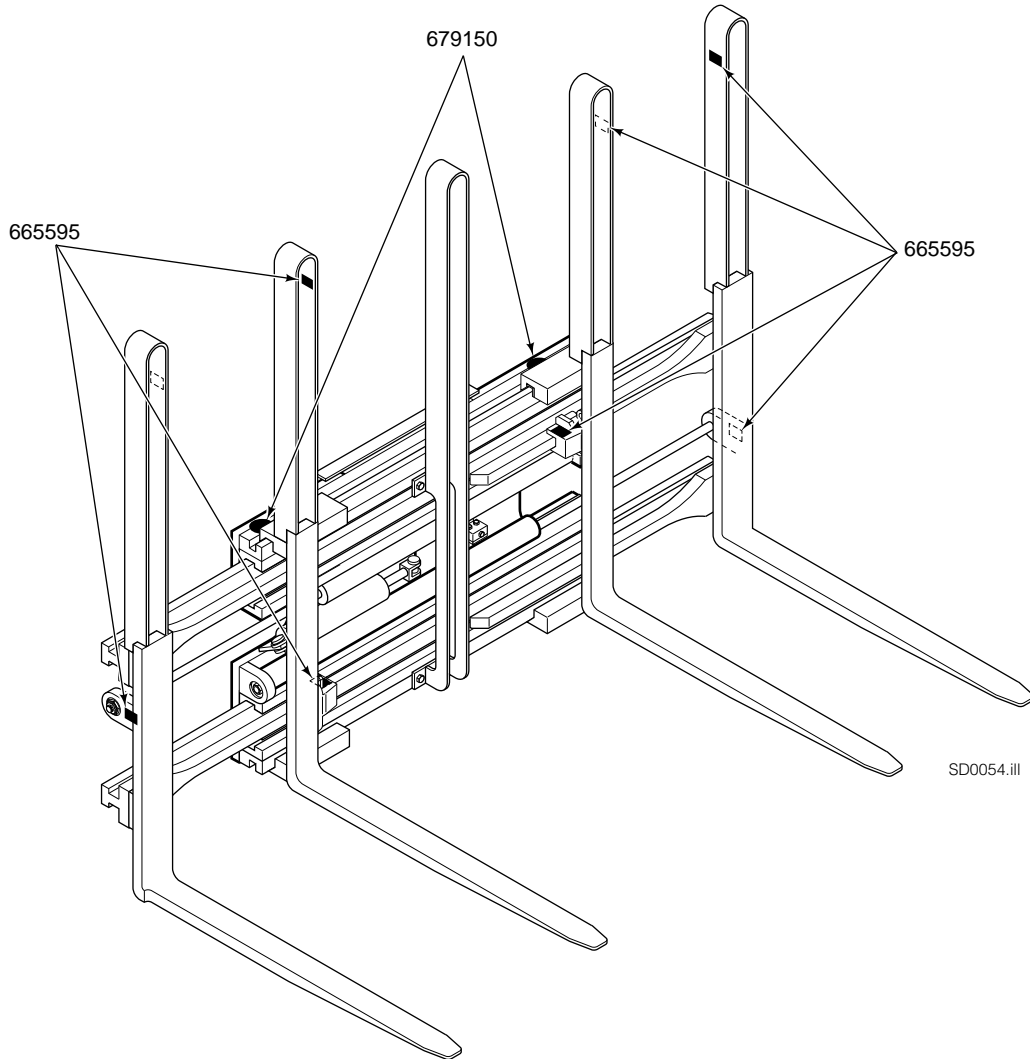
To Order Parts call: 888-227-2233, Fax: 888-329-0234

OR

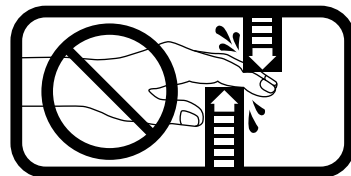
Write: Cascade Corporation, P.O. Box 20187, Portland, OR 97220

Internet: www.cascorp.com

Safety Decals

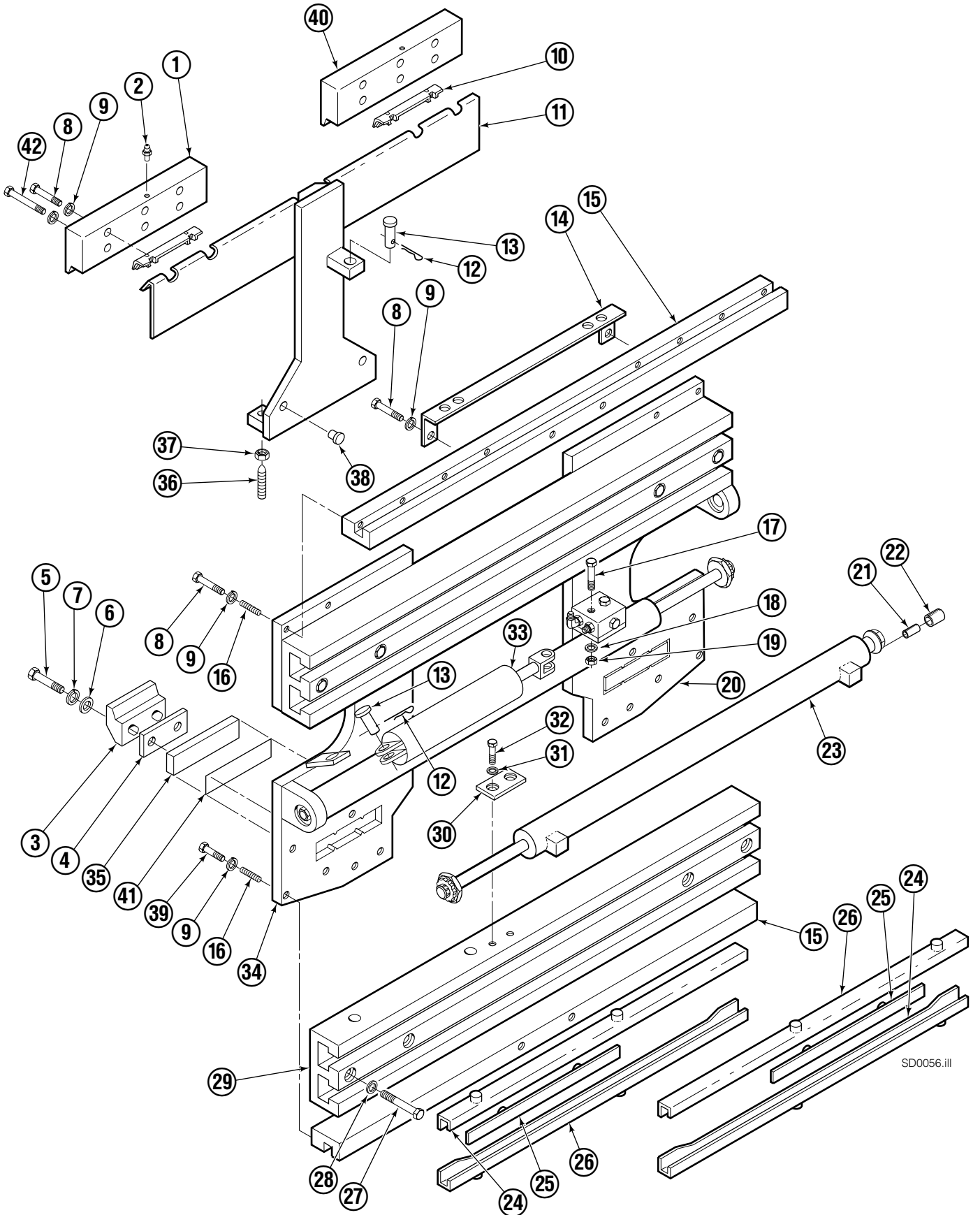


Part No. 679150
(1 Place & 1 Optional)



Part No. 665595
(2 Place & 2 Optional)

Base Unit and Mounting ITA Class III



SD0056.iii

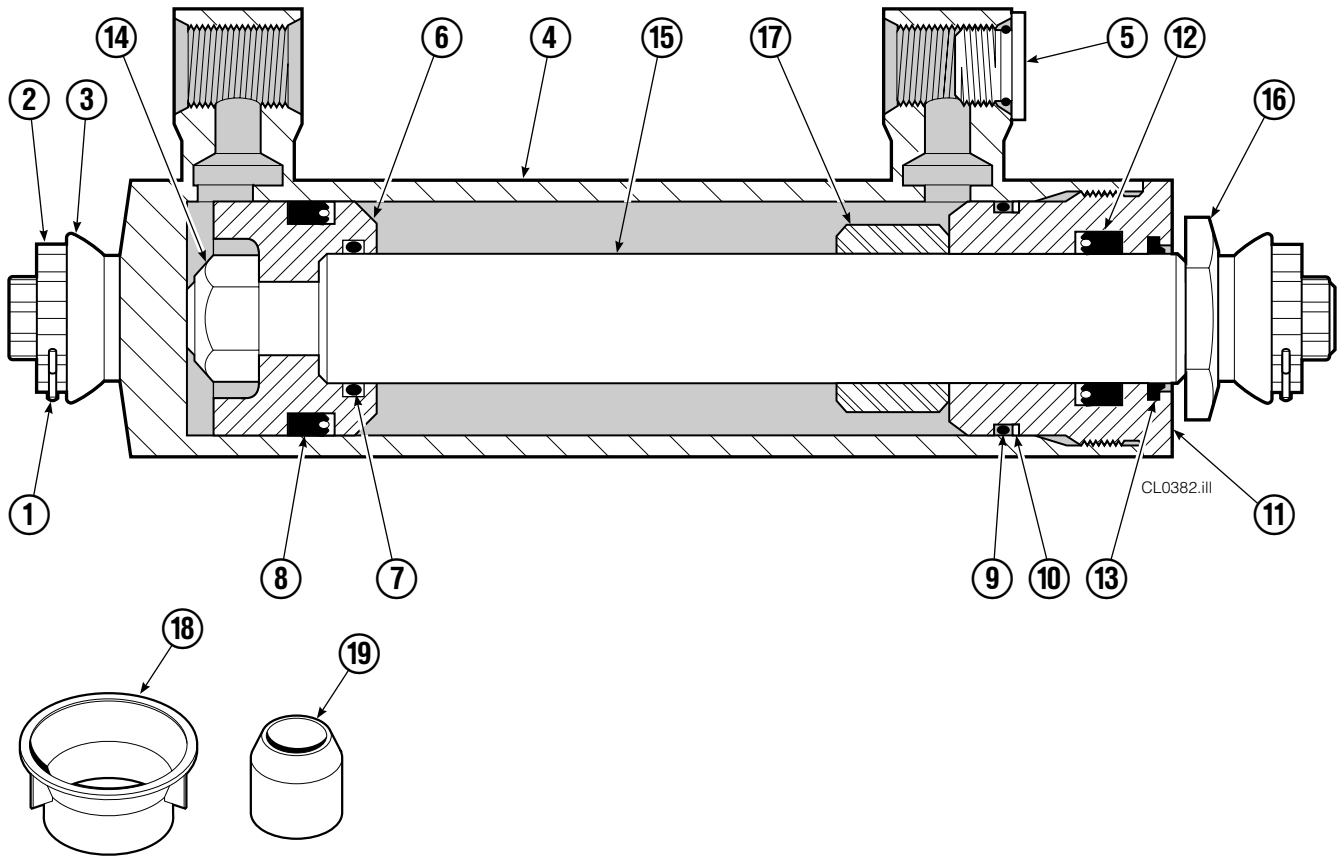
Base Unit and Mounting ITA Class III

50D							
REF	QTY	PART NO.	DESCRIPTION	REF	QTY	PART NO.	DESCRIPTION
		374522	Base Unit Group	21	2	7962	Roll Pin
		374579	Common Parts Group	22	2	7861	Roll Pin
		204276	Mounting Group	23	2	374521	Cylinder ■
1	1	204265	Upper Hook–RH	24	4	208857	Bearing
2	4	7403	Grease Fitting	25	4	208858	Bearing
3	2	675969	Lower Hook	26	4	667663	Bearing
4	2	204273	Spacer	27	8	667909	Capscrew, 1/2NCx3.0
5	4	667808	Capscrew, 5/8NCx2.0 GR8	28	8	667910	Washer
6	4	667225	Washer	29	2	204255	Frame
7	4	6292	Lockwasher	30	2	209427	Stop
8	20	643539	Capscrew, 1/2NCx1.75 GR8	31	4	6288	Lockwasher, 3/8
9	30	6290	Lockwasher, 1/2	32	4	643524	Capscrew, 3/8NCx.75 GR8
10	2	672018	Upper Bearing	33	1	675548	Sideshift Cylinder ◆
11	1	204266	Anchor	34	1	204254	Mounting Plate–RH
12	2	672726	Cotter Pin	35	2	204212	Lower Bearing
13	2	678525	Pin	36	2	5027	Setscrew
14	1	205227	Bracket	37	2	5932	Nut
15	2	205222	Channel	38	2	200761	Thrust Plug
16	4	205324	Spring Pin	39	6	643538	Capscrew, 1/2NCx1.50 GR8
17	2	3559	Capscrew, 1/4NCx2.0 GR5	40	1	204267	Upper Hook–LH
18	4	6201	Washer, 1/4	41	2	204274	Strip
19	2	6097	Nut	42	4	643542	Capscrew, 1/2NCx2.75 GR8
20	1	204284	Mounting Plate–LH				

■ See Cylinder page for parts breakdown.

◆ See Sideshift Cylinder page for parts breakdown.

Cylinder



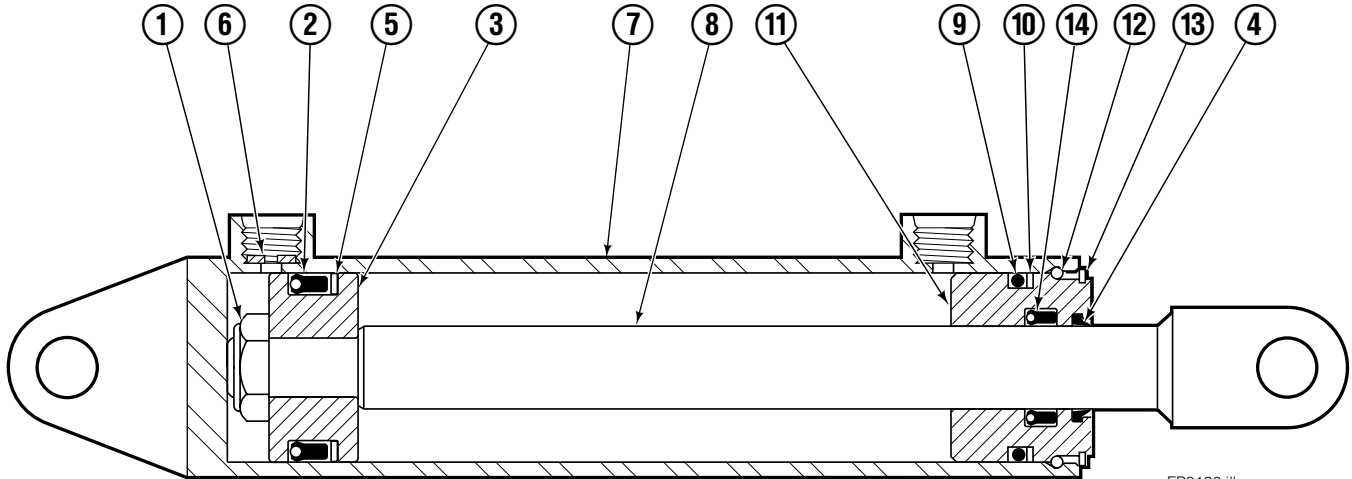
REF	QTY	PART NO.	DESCRIPTION
		374521	Cylinder Assembly
1	2	6510	■ Cotter Pin
2	2	667624	■ Nut Retainer
3	2	667625	■ Nut
4	1	559662	Shell
5	1	602580	Fitting
6	1	559702	Piston
7	1	2716	▲ O-Ring
8	1	662450	▲ Seal
9	1	2722	▲ O-Ring
10	1	615126	▲ Back-Up Ring
11	1	413799	Retainer
12	1	662448	▲ Seal
13	1	636853	▲ Wiper
14	1	667623	Nut
15	1	416991	Rod
16	1	667626	Washer
17	1	564421	Spacer
18	1	671047	▲ Seal Loader, Piston
19	1	671051	▲ Seal Loader, Retainer
		560729	Service Kit

▲ Included in Service Kit 560729.

■ Included in Nut Service Kit 668926.

Reference: ST-0283, ST-0284.

Sideshift Cylinder ITA Class III

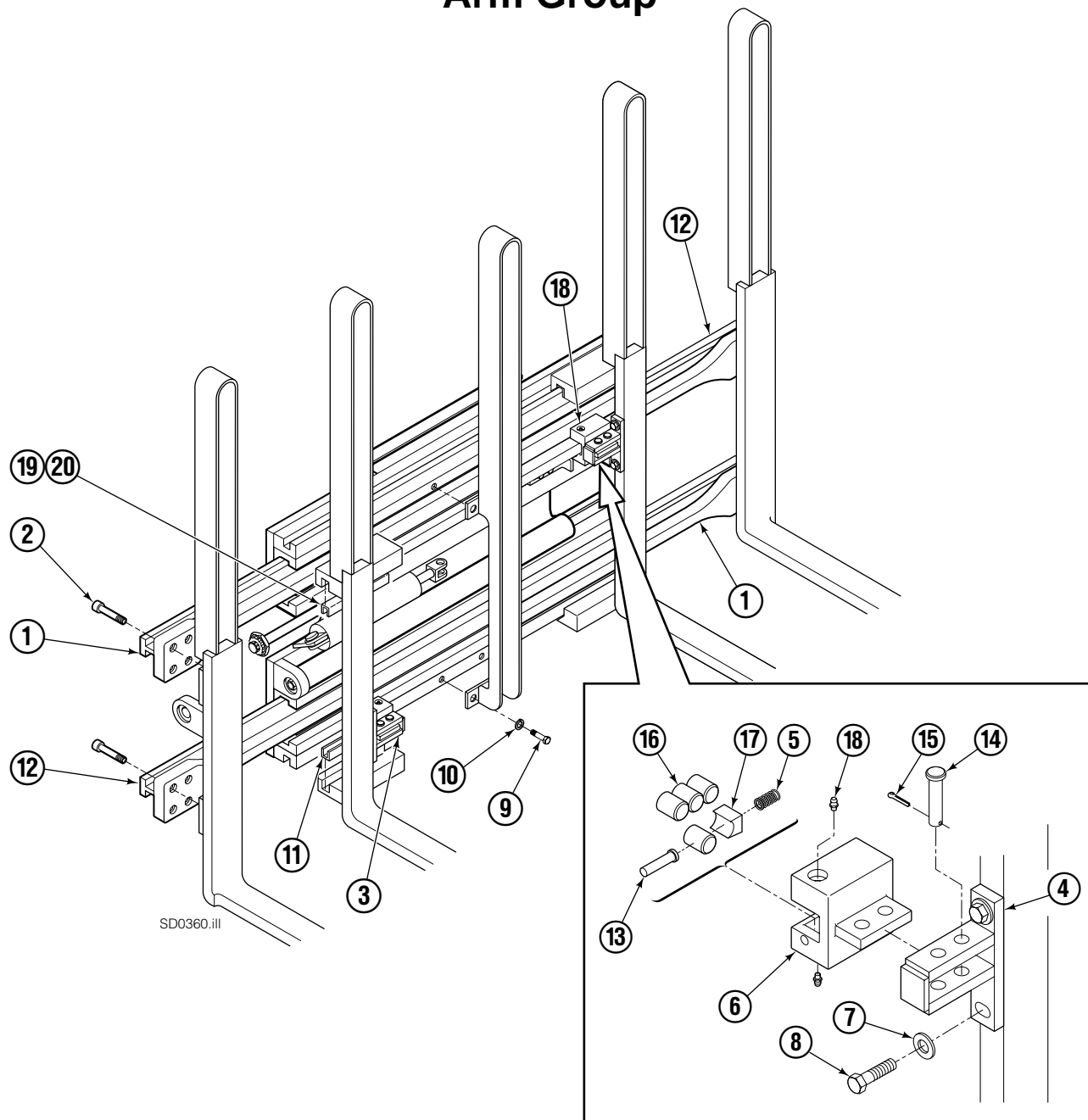


FP0126.ill

55E			
REF	QTY	PART NO.	DESCRIPTION
		675548	Cylinder Assembly
1	1	553857	Nut
2	1	662452	■ Seal
3	1	553501	Piston
4	1	636851	■ Wiper
5	1	638247	■ Back-up Ring
6	1	675550	Washer (orifice .085 in.)
7	1	675549	Shell
8	1	553449	Rod
9	1	2785	■ O-Ring
10	1	615128	■ Back-up Ring
11	1	553500	Retainer
12	1	553856	Retaining Ring
13	1	7202	Snap Ring
14	1	641835	■ Seal
		553861	Service Kit

■ Included in Service Kit 553861.

Arm Group

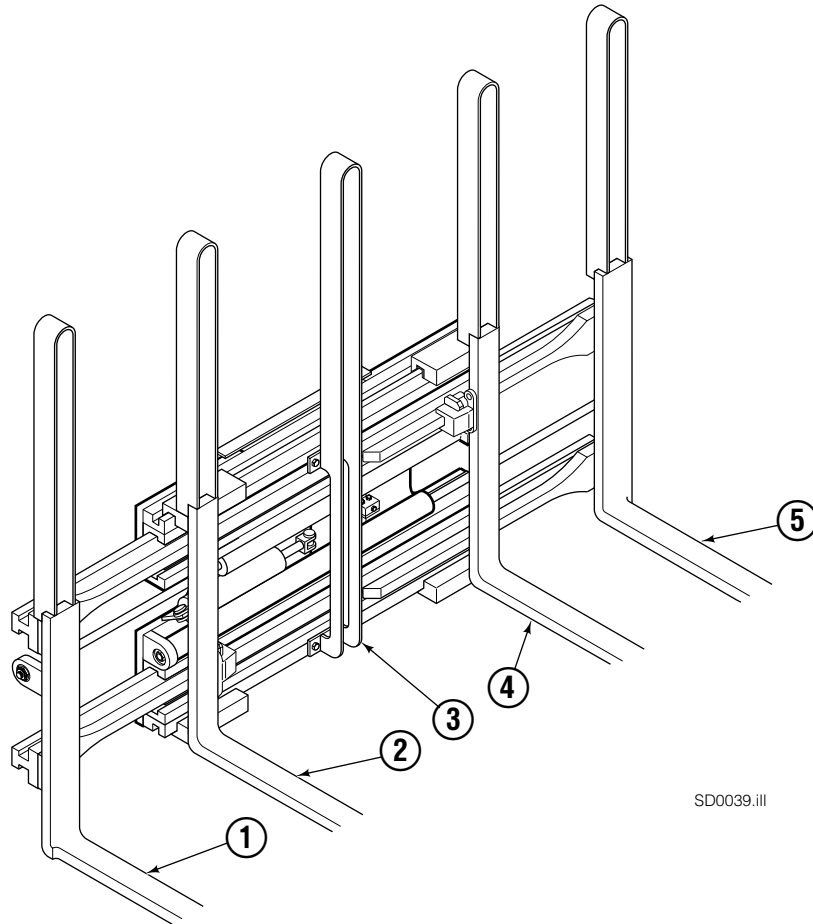


Reference:
 374522 Base Unit Group
 374579 Common Parts Group

50D							
REF	QTY	PART NO.	DESCRIPTION	REF	QTY	PART NO.	DESCRIPTION
		374518	Arm Group	11	2	209654	Bearing
1	2	374519	Arm Bar	12	2	204258	Arm Bar
2	16	607103	Capscrew, 3/4NCx1.50 GR8	13	1	209433	■ Pin
3	2	209429	Roller Assembly	14	2	674265	■ Clevis Pin
4	2	209410	■ Anchor Plate	15	2	6524	■ Cotter Pin
5	1	211729	■ Spring	16	4	209430	■ Rod-Roller
6	1	209659	■ Housing	17	1	209431	■ Spring Keeper
7	4	6455	Washer	18	2	211270	Grease Fitting
8	4	4505	Capscrew, .5 x 1.25	19	1	375252	Bearing, LH
9	4	633801	Capscrew, .5 x 1.25	20	1	375254	Bearing, RH
10	16	6290	Washer				

■ Included in Roller Assembly (Item 3).

Fork and Backrest Group Loop Backrest

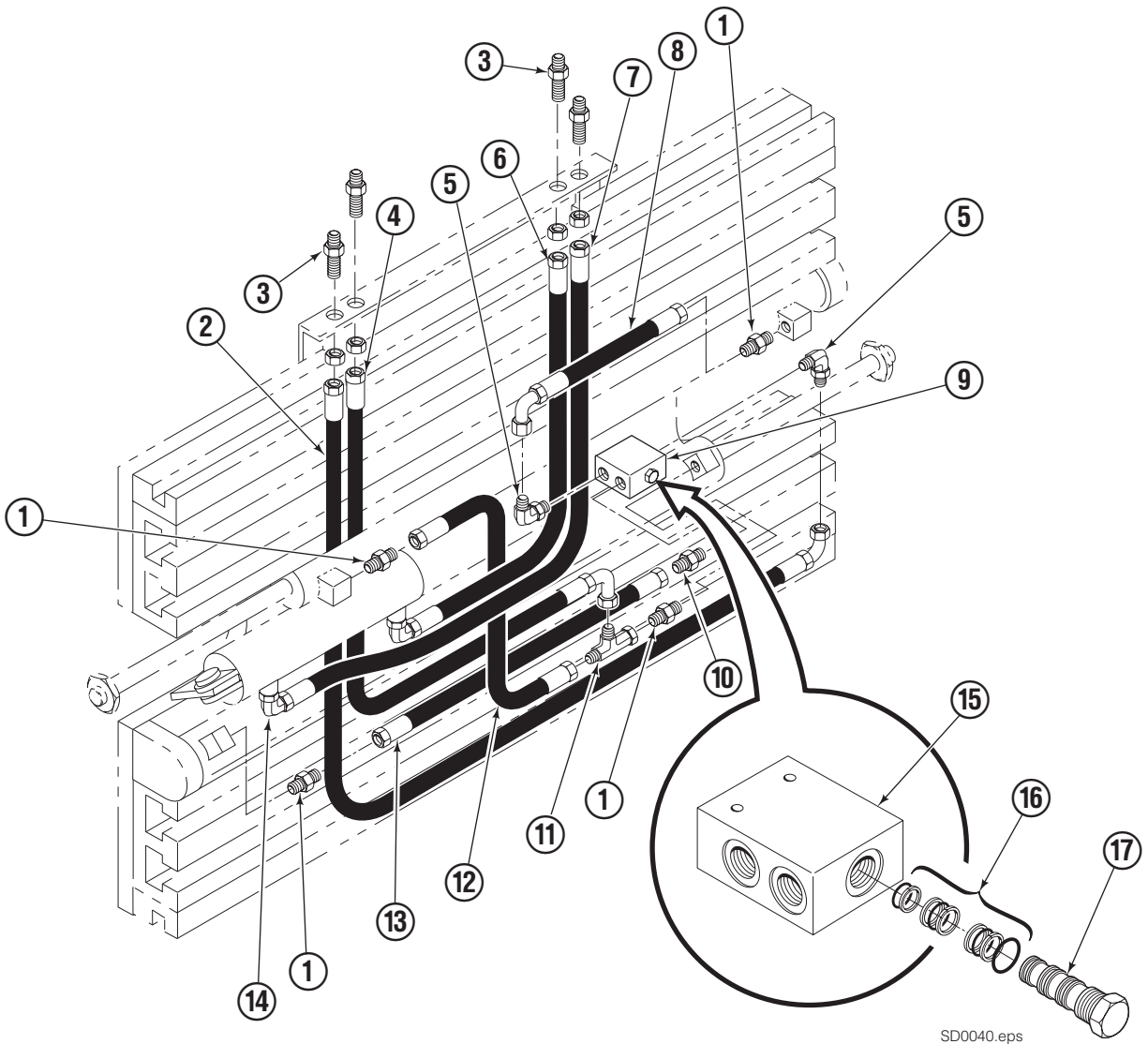


SD0039.ill

50D			
REF	QTY	48"x 60"■ PART NO.	DESCRIPTION
		374513	Fork and Backrest Group
1	1	374517	Outer Fork-RH
2	1	374515	Inner Fork-RH
3	1	359493	Center Backrest
4	1	374514	Inner Fork-LH
5	1	374516	Outer Fork-LH

■ Fork length x backrest height.

Base Unit Group - Hydraulics



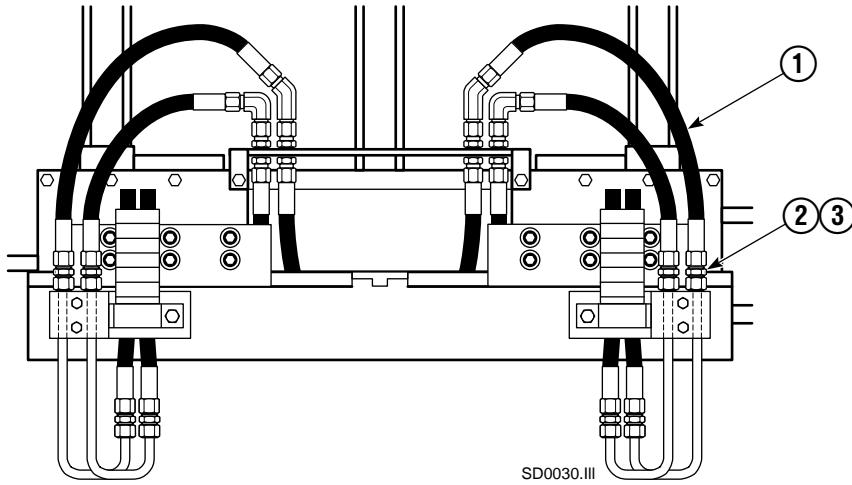
SD0040.eps

50D							
REF	QTY	PART NO.	DESCRIPTION	REF	QTY	PART NO.	DESCRIPTION
1	4	611288	Fitting, 6-8	10	2	604511	Fitting, 6-6
2	1	205226	Hose, 34.25 in.	11	1	611329	Fitting, 6-6
3	4	2375	Fitting, 6-6	12	1	675953	Hose, 24.50 in.
4	1	205225	Hose, 33.00 in.	13	1	204224	Hose, 22.75 in.
5	2	601676	Fitting, 6-6	14	2	666984	Fitting, 4-6
6	1	205224	Hose, 25.50 in.	15	1	204222	● Valve Body
7	1	205223	Hose, 35.50 in.	16	1	6071170	● Service Kit
8	1	201567	Hose, 7.00 in.	17	1	210266	● Valve Cartridge
9	1	204223	Valve Assembly				

Reference: Base Unit 374522, Common Parts 374579.

● Included in Valve Assembly 204223.

Installation Kit



REF	QTY	PART NO.	DESCRIPTION
		205854	Installation Kit
1	4	2161	Hose
2	4	2347	Fitting, 6-6
3	4	674294	Fitting, 6-8

Do you have questions you need answered right now? Call your nearest Cascade Parts Department. Visit us online at www.cascorp.com

AMERICAS

Cascade Corporation Parts Sales

2501 Sheridan Ave.
Springfield, OH 45505
Tel: 888-CASCADE (227-2233)
Fax: 888-329-0234

Cascade Canada Inc.

5570 Timberlea Blvd.
Mississauga, Ontario
Canada L4W-4M6
Tel: 905-629-7777
Fax: 905-629-7785

Cascade do Brasil

Rua João Guerra, 134
Macuco, Santos - SP
Brasil 11015-130
Tel: 55-13-2105-8800
Fax: 55-13-2105-8899

EUROPE-AFRICA

Cascade Italia S.R.L. European Headquarters

Via Dell'Artigianato 1
37050 Vago di Lavagno (VR)
Italy
Tel: 39-045-8989111
Fax: 39-045-8989160

Cascade (Africa) Pty. Ltd.

PO Box 625, Isando 1600
60A Steel Road
Sparton, Kempton Park
South Africa
Tel: 27-11-975-9240
Fax: 27-11-394-1147

ASIA-PACIFIC

Cascade Japan Ltd.

2-23, 2-Chome,
Kukuchi Nishimachi
Amagasaki, Hyogo
Japan, 661-0978
Tel: 81-6-6420-9771
Fax: 81-6-6420-9777

Cascade Korea

121B 9L Namdong Ind.
Complex, 691-8 Gojan-Dong
Namdong-Ku
Inchon, Korea
Tel: +82-32-821-2051
Fax: +82-32-821-2055

Cascade-Xiamen

No. 668 Yangguang Rd.
Xinyang Industrial Zone
Haicang, Xiamen City
Fujian Province
P.R. China 361026
Tel: 86-592-651-2500
Fax: 86-592-651-2571

Cascade India Material Handling Private Limited

No 34, Global Trade Centre
1/1 Rambaugh Colony
Lal Bahadur Shastri Road,
Navi Peth, Pune 411 030
(Maharashtra) India
Phone: +91 020 2432 5490
Fax: +91 020 2433 0881

Cascade Australia Pty. Ltd.

1445 Ipswich Road
Rocklea, QLD 4107
Australia
Tel: 1-800-227-223
Fax: +61 7 3373-7333

Cascade New Zealand

15 Ra Ora Drive
East Tamaki, Auckland
New Zealand
Tel: +64-9-273-9136
Fax: +64-9-273-9137

Sunstream Industries Pte. Ltd.

18 Tuas South Street 5
Singapore 637796
Tel: +65-6795-7555
Fax: +65-6863-1368

