



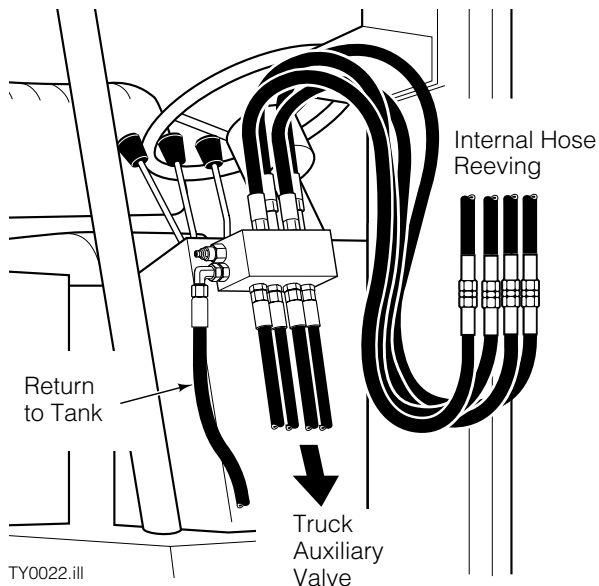
Technical Bulletin

Cascade Two and Three Function Valve Kits 233095 and 233122

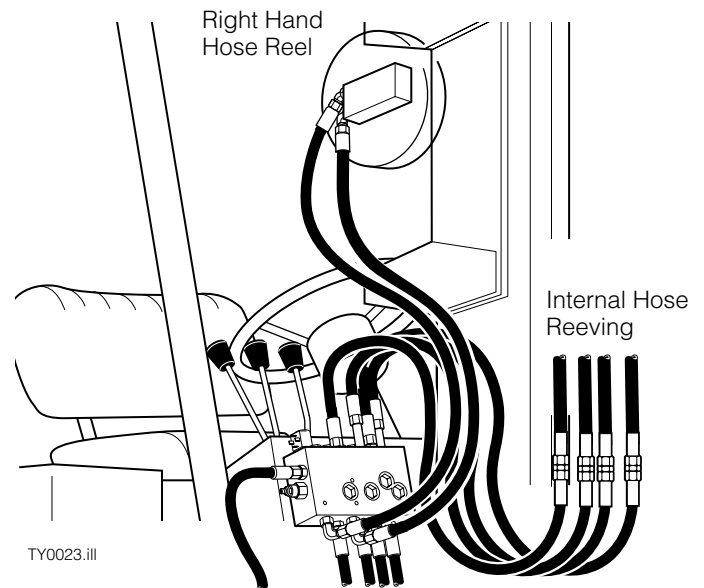
Cascade Two and Three-Function Hydraulic Valve Kits provide auxiliary pressure and flow control to attachments. They are designed for use with trucks rated 3.5 ton and up. Two and Three-Function Hydraulic Valve Kits eliminate performance problems associated with excessive pressure and/or flow. The standard hydraulic circuit on trucks coming from the factory can deliver up to 3,400 PSI and 40 GPM. Cascade attachment requirements specify 2,300-2,600 PSI and 15 GPM. Cascade Two and Three-Function Hydraulic Valve Kits adjust the hydraulic pressure and flow from the truck down to attachment operating levels of 2300 PSI and 15 GPM.

Problems associated with excessive pressure and flow include:

- Increased engine wear and tear
- Increased attachment wear and tear
- Engine and transmission overheating
- Hydraulic system overheating
- Poor fuel economy
- Adds up to greater maintenance and production costs



Two Function Valve Kit 233095



Three Function Valve Kit 233122

CASCADE VALVE KITS

Hydraulic Functions	Output Flow	Catalog Order No.
2	15 GPM	233095
3	15 GPM	233122

Limited to maximum input of 40 GPM.

Recommended with No. 8 Internal Hose Reeving and Low Pressure Tank Line kit Part No. 214062 (.75 in. ID), 211745 (1.00 in ID) or 214066 (1.25 in. ID).

See the back of this sheet for the valve schematics.

NOTE: This information should not be interpreted as the basis for warranty claims unless so designated.

cascade[®]
corporation

For Technical Support . . .

Call: 1-800-227-2233

OR

Write: Cascade Corporation, P.O. Box 20187, Portland, OR 97294

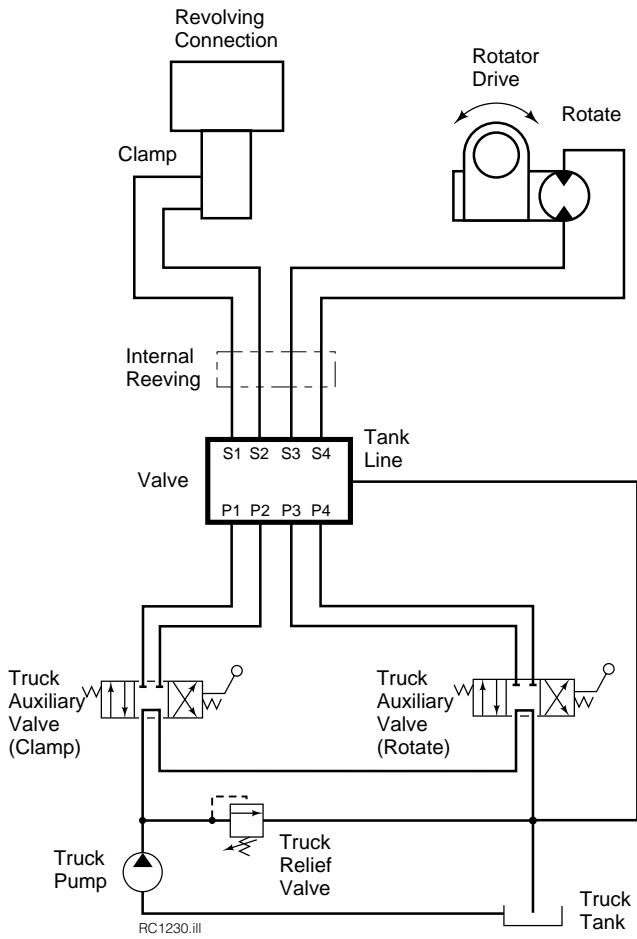
To Order Parts . . .

Call: 1-888-227-2233

OR

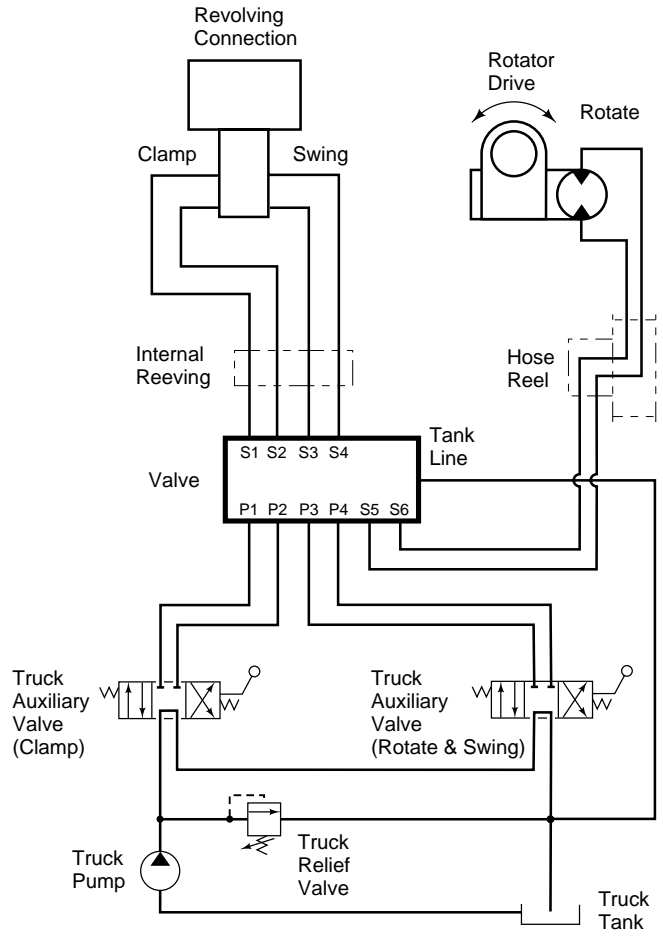
Write: Cascade Corporation, 2501 Sheridan Ave., Springfield, OH 45505

Attachment



Two Function Valve Kit 233095

Attachment



Three Function Valve Kit 233122