

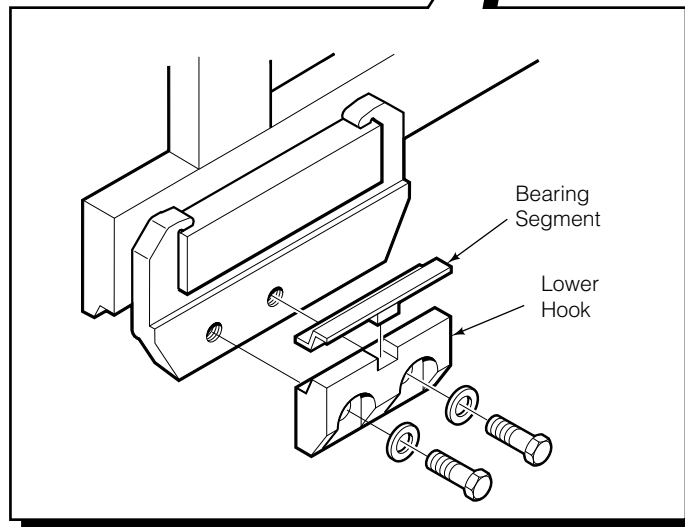
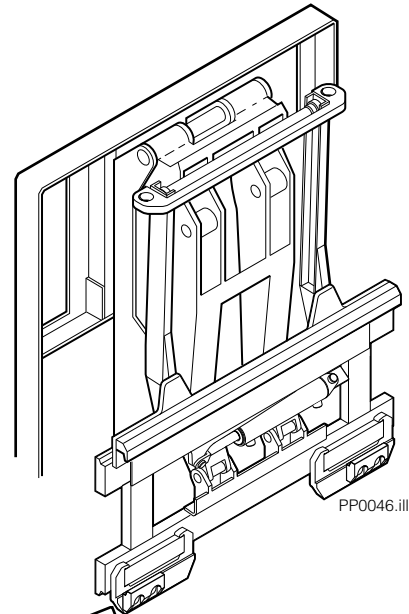


# Technical Bulletin

## E-Series Load Push & Push/Pull Lower Hook Bearings Kit no. 209675 & 209676

Field upgrade kits are available for Sideshifting dedicated Non Quick Disconnect Load Push/Pulls that are experiencing premature lower hook wear. This wear is a result of sideshifting with the platens on the floor. Kits 209675 (Class II) and 209676 (Class III) include new lower hooks and bearing segments.

If you are experiencing this problem, contact the Cascade Service department at the phone number below.



PP0047.eps

**NOTE:** This information should not be interpreted as the basis for warranty claims unless so designated.  
Part No. 212560

# cascade<sup>®</sup>

For Technical Assistance and to Order Parts . . .

Call: 1-800-CASCADE or 503-669-6300

FAX: 503-669-6338

Write: Cascade Corporation, PO Box 20187, Portland, OR 97294-0187