



Parts Manual

Model _____ **Carton Clamp**

Serial Number _____ **25D-CCB-148**

cascade[®]
corporation

For Technical Assistance call: 800-227-2233, Fax: 888-329-8207

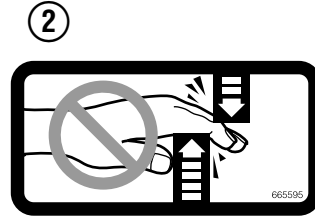
To Order Parts call: 888-227-2233, Fax: 888-329-0234

OR

Write: Cascade Corporation, P.O. Box 20187, Portland, OR 97220

Internet: www.cascorp.com

Safety Decals



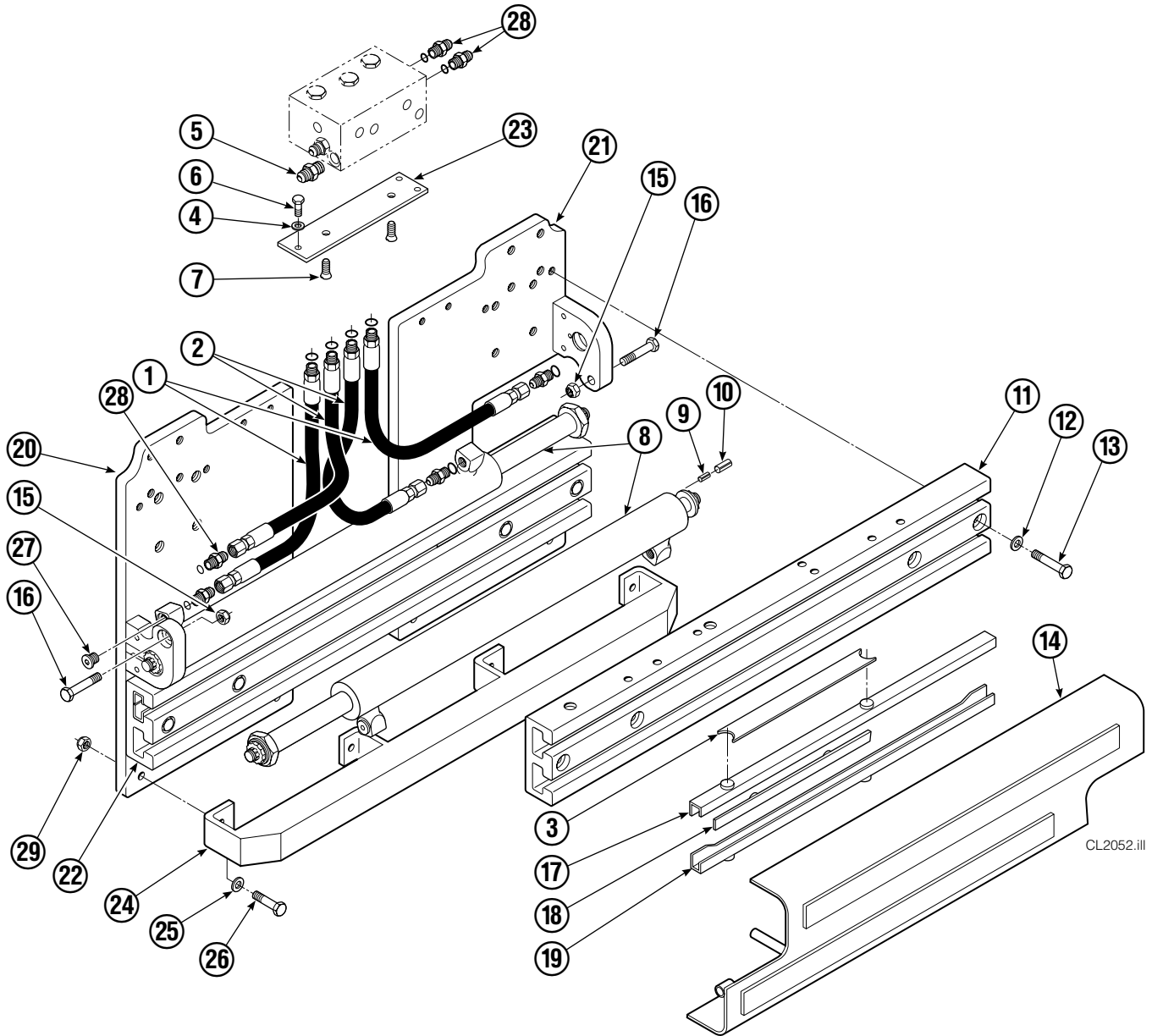
| REF | QTY | PART NO. | DESCRIPTION |
|-----|-----|----------|-------------------------|
| 1 | 1 | 679150 | No Step Decal |
| 2 | 2 | 665595 | No Hand Hold Decal |
| 3 | 1 | 679059 | Quick Change Hook Decal |

Publications



| PART NO. | DESCRIPTION |
|----------|---------------------------------|
| 670487 | Service Manual |
| 670834 | Operators Guide |
| 670488 | Installation Instructions |
| 680664 | Servicing Cascade Cylinders-VHS |
| 679929 | Tool Catalog |
| 673964 | Literature Index Order Form |

Base Unit Group



CL2052.ill

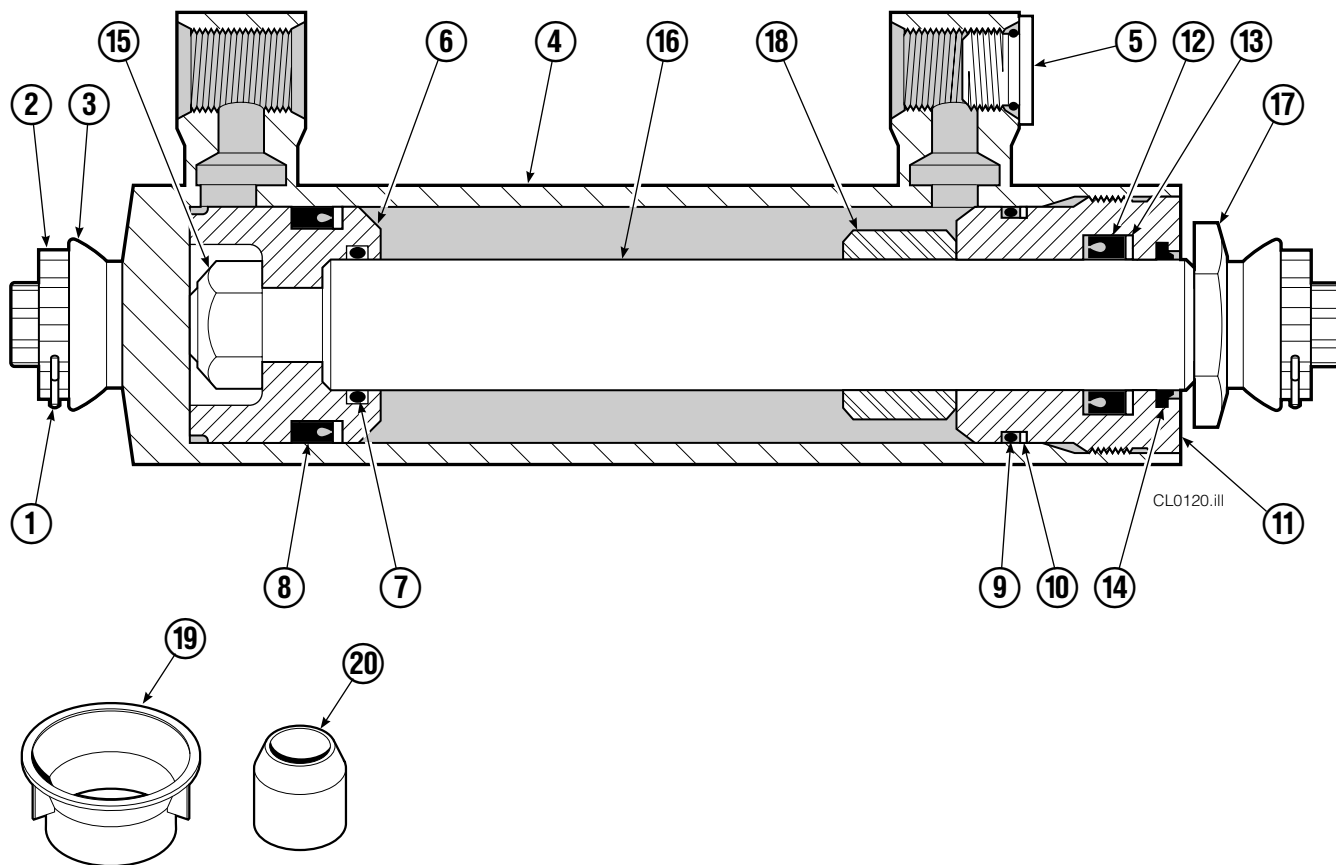
| 35D | | | | | | | |
|-----|-----|----------|------------------|-----|-----|----------|---------------------|
| REF | QTY | PART NO. | DESCRIPTION | REF | QTY | PART NO. | DESCRIPTION |
| | | 6019743 | Base Unit | 15 | 2 | 763025 | Nut, M12 |
| 1 | 2 | 210436 | Hose, 24.75 in. | 16 | 2 | 768414 | Capscrew, M12x65 |
| 2 | 2 | 210449 | Hose, 18.25 in. | 17 | 4 | 208858 | Bearing |
| 3 | 1 | 675326 | Shim Kit ■ | 18 | 4 | 667663 | Bearing |
| 4 | 2 | 209021 | Washer, M10 | 19 | 4 | 208857 | Bearing |
| 5 | 1 | 601377 | Fitting, 8-8 | 20 | 1 | 3011055 | Mounting Plate - RH |
| 6 | 2 | 684594 | Capscrew, M10x20 | 21 | 1 | 3011054 | Mounting Plate - LH |
| 7 | 2 | 766646 | Capscrew, M10x20 | 22 | 1 | 221417 | Frame - Lower |
| 8 | 2 | 671570 | Cylinder ▲ | 23 | 1 | 669957 | Plate |
| 9 | 2 | 768953 | Roll Pin - Inner | 24 | 1 | 671545 | Bumper - Lower |
| 10 | 2 | 769009 | Roll Pin - Outer | 25 | 4 | 683001 | Washer, M12 |
| 11 | 1 | 221280 | Frame - Upper | 26 | 4 | 768556 | Capscrew, M12x45 |
| 12 | 16 | 202251 | Washer | 27 | 2 | 602580 | Fitting, 8 |
| 13 | 8 | 684659 | Capscrew, M12x75 | 28 | 6 | 611288 | Fitting, 6-8 |
| 14 | 1 | 672331 | Bumper | 29 | 4 | 688387 | Nut, M12 |

■ Includes two .015 Shims, and eight .020 Shims.

Reference: SK-6390.

▲ See Cylinder page or parts breakdown.

Cylinder



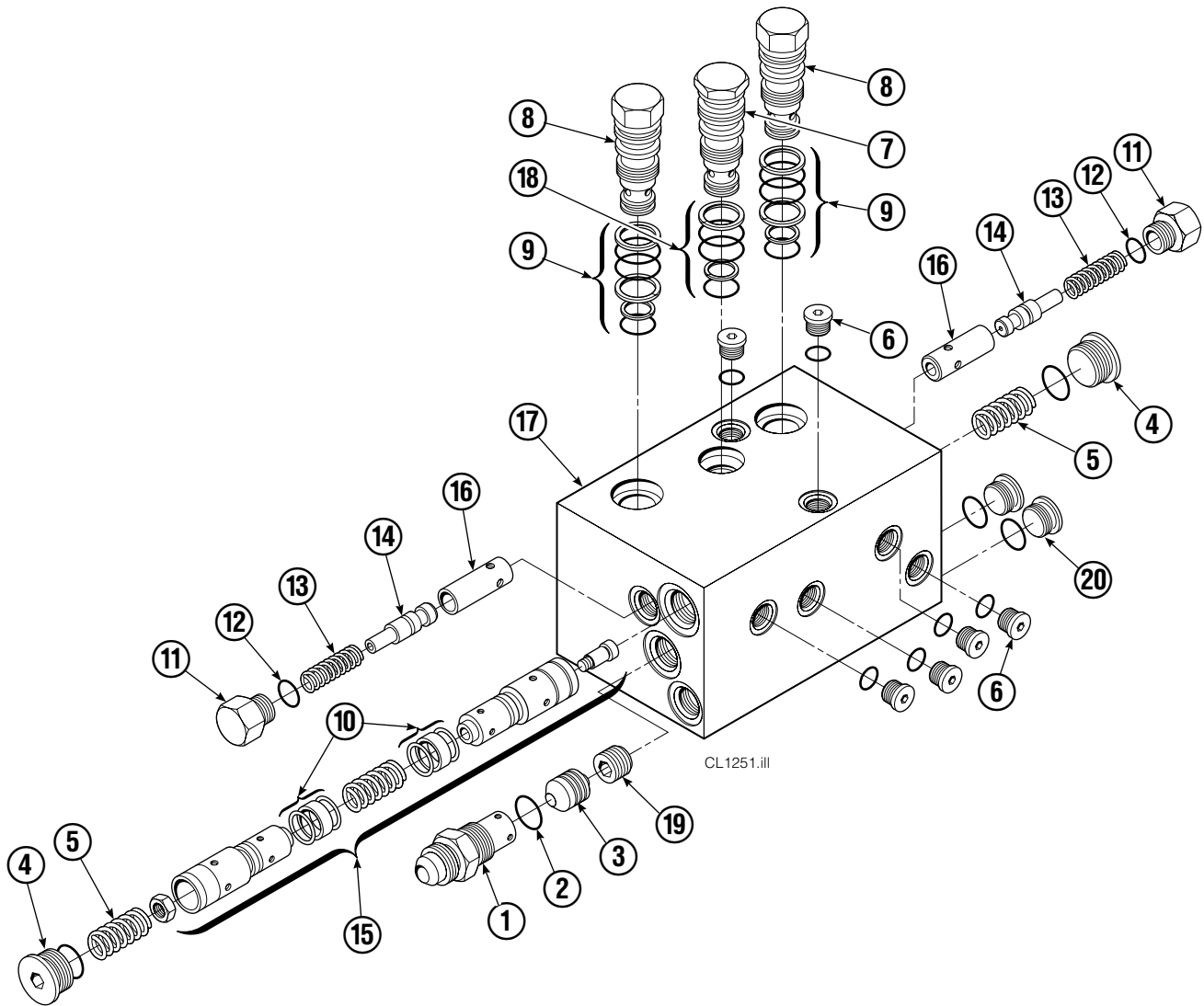
| 25D | | | |
|-----|-----|----------|-------------------------|
| REF | QTY | PART NO. | DESCRIPTION |
| | | 671570 | Cylinder Assembly |
| 1 | 2 | 6510 | ■ Cotter Pin |
| 2 | 2 | 667624 | ■ Nut Retainer |
| 3 | 2 | 667625 | ■ Nut |
| 4 | 1 | 671572 | Shell |
| 5 | 1 | 602580 | Fitting |
| 6 | 1 | 558200 | Piston |
| 7 | 1 | 2716 | ▲ O-Ring |
| 8 | 1 | 662452 | ▲ Seal |
| 9 | 1 | 2785 | ▲ O-Ring |
| 10 | 1 | 615128 | ▲ Back-Up Ring |
| 11 | 1 | 563906 | Retainer |
| 12 | 1 | 662448 | ▲ Seal |
| 13 | 1 | 638243 | ▲ Nylon Ring |
| 14 | 1 | 636853 | ▲ Wiper |
| 15 | 1 | 667623 | Nut |
| 16 | 1 | 661571 | Rod |
| 17 | 1 | 667626 | Washer |
| 18 | 1 | — | Spacer |
| 19 | 1 | 671047 | ▲ Seal Loader, Piston |
| 20 | 1 | 671051 | ▲ Seal Loader, Retainer |
| | | 668021 | Service Kit |

▲ Included in Service Kit 668021.

■ Included in Nut Service Kit 668926.

Reference: S-7605, S-7658

Check Valve



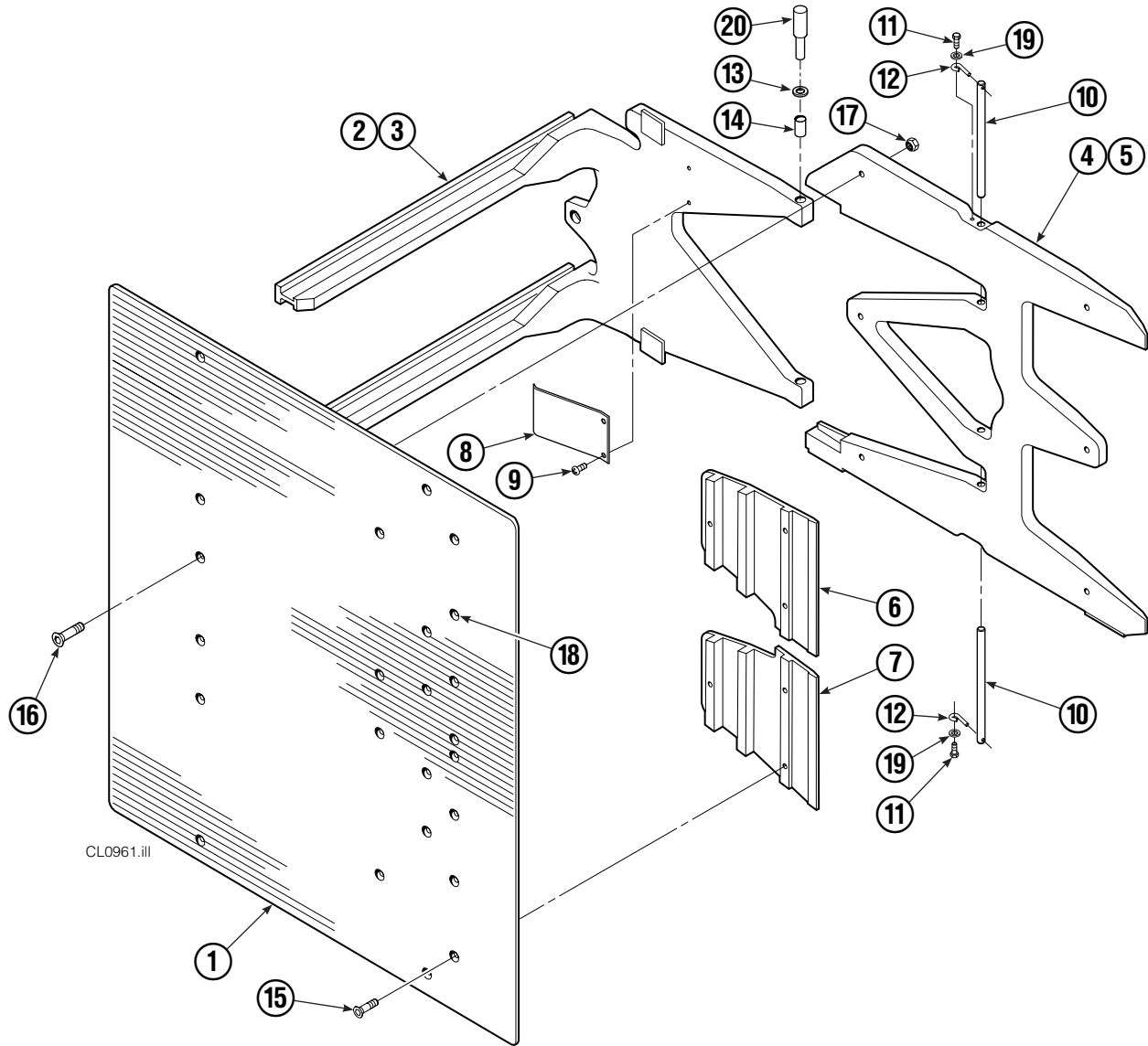
| REF | QTY | PART NO. | DESCRIPTION | REF | QTY | PART NO. | DESCRIPTION |
|-----|-----|----------|----------------------------|-----|-----|----------|---------------------------------|
| | | 3016157 | Check Valve – Flow Divider | 11 | 2 | 667494 | Fitting |
| 1 | 1 | 667490 | Special Fitting | 12 | 2 | 2840 | O-Ring ● |
| 2 | 1 | 2841 | O-Ring ● | 13 | 2 | 673098 | Spring |
| 3 | 1 | 667471 | Spool | 14 | 2 | 667492 | Poppet |
| 4 | 2 | 609453 | Fitting, 10 | 15 | 1 | 673089 | Spool Assembly |
| 5 | 2 | 667487 | Spring | 16 | 2 | 667491 | Sleeve |
| 6 | 6 | 604510 | Fitting, 6 | 17 | 1 | 669763 | Valve Body |
| 7 | 1 | 678270 | Check Valve – VPO | 18 | 1 | 661347 | Service Kit ● |
| 8 | 2 | 659058 | Check Valve – PO | 19 | 1 | 676343 | Regeneration Elimination Plug ■ |
| 9 | 2 | 667516 | Service Kit ● | 20 | 2 | 602580 | Fitting, 8 |
| 10 | 1 | 679846 | Low Flow Spool Kit | | | 667513 | Service Kit |

● Included in Service Kit 667513.

■ For eliminating regeneration circuit only. See Tech. Bulletin 121.

Reference: 669762, SK-5302.

Arms and Pads

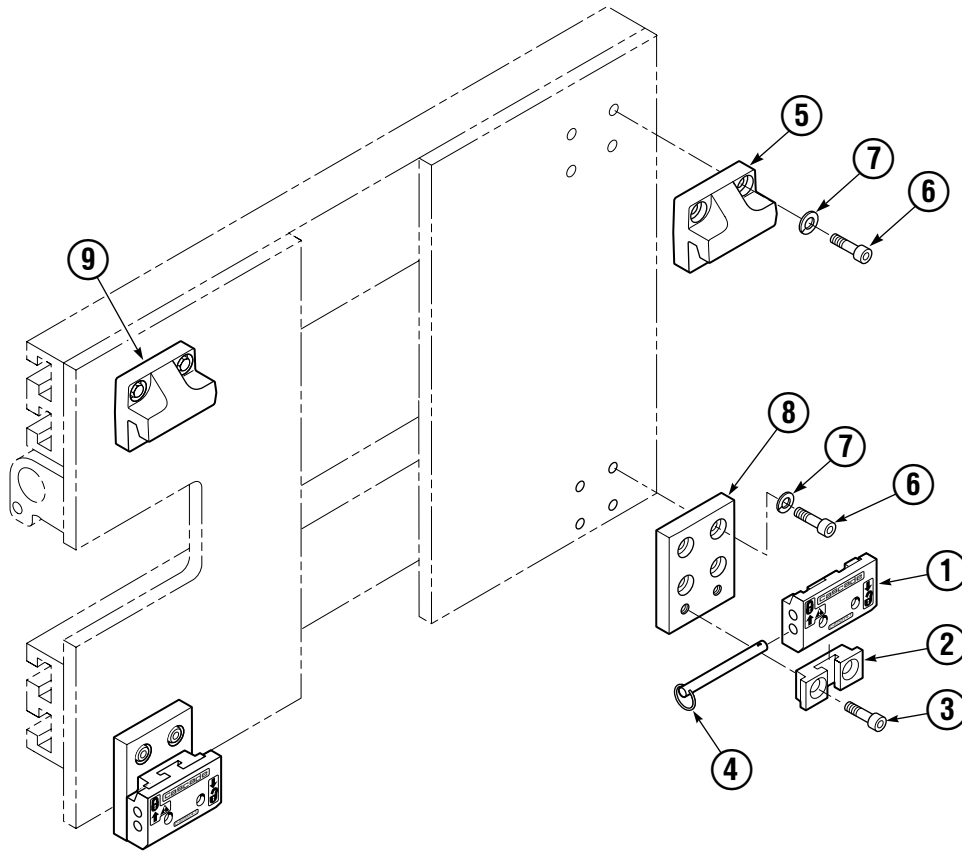


| 25D | | | | | | | |
|-----|-----|----------|----------------------------------|-----|-----|----------|------------------------|
| REF | QTY | PART NO. | DESCRIPTION | REF | QTY | PART NO. | DESCRIPTION |
| 1 | 1 | 222703 | Contact Pad, LH | 10 | 4 | 210161 | Pin |
| | 1 | 222703 | Contact Pad, RH | 11 | 4 | 787372 | Capscrew, M8 x 20 |
| 2 | 1 | 220959 | Arm - LH | 12 | 4 | 682999 | Eye Pin |
| 3 | 1 | 221088 | Arm - RH | 13 | 8 | 675620 | Washer, M10 |
| 4 | 1 | 210403 | Stabilizer - LH | 14 | 8 | 200590 | Bushing |
| 5 | 1 | 210406 | Stabilizer - RH | 15 | 12 | 766646 | Capscrew, M10 x 20 |
| 6 | 2 | 210180 | Filler Block - LH Upper/RH Lower | 16 | 12 | 768706 | Capscrew, M12 x 35 |
| 7 | 2 | 210179 | Filler Block - RH Lower/RH Upper | 17 | 12 | 773842 | Nut, M12 |
| 8 | 2 | 210154 | Spring | 18 | ▲ | 676841 | Contact Pad Repair Kit |
| 9 | 4 | 203405 | Capscrew, M10 x 16 | 19 | 4 | 787398 | Washer, M8 |
| 10 | 4 | 210161 | Pin | 20 | 1 | 675626 | Tool - Bushing Driver |
| 11 | 4 | 787372 | Capscrew, M8 x 20 | | | | |

Reference: 210409, 210495, SK-6390.

▲ Repairs one hole.

Mounting Group

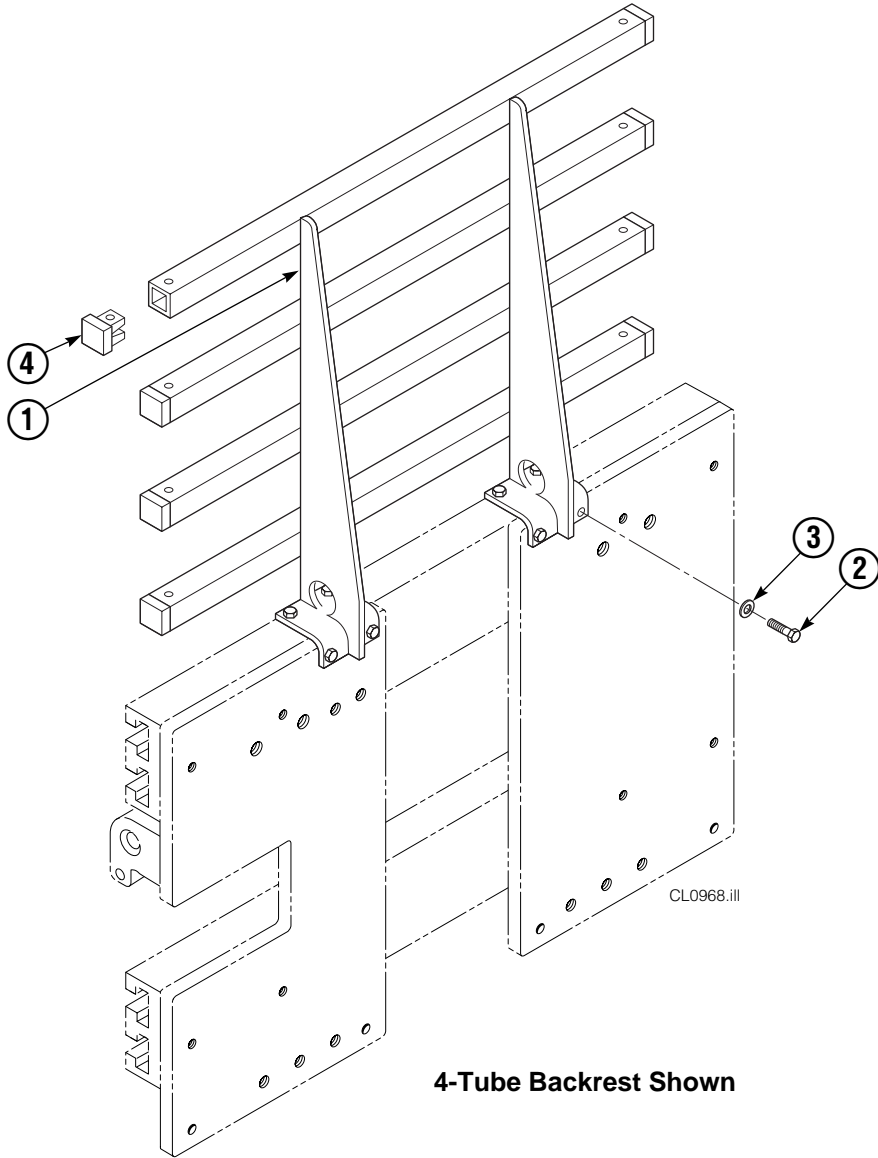


CL0644.III

| Class III | | | |
|-----------|-----|----------|--------------------|
| REF | QTY | PART NO. | DESCRIPTION |
| | | 3011057 | Mounting Group |
| | | 3011058 | Lower Hook Group ▲ |
| 1 | 2 | 675957 | Lower Hook |
| 2 | 2 | 675958 | Guide |
| 3 | 4 | 685262 | Capscrew |
| 4 | 2 | 678832 | Pin |
| 5 | 1 | 650050 | Upper Hook – RH |
| 6 | 16 | 769573 | Capscrew |
| 7 | 16 | 678992 | Lockwasher |
| 8 | 2 | 3011053 | Adapter Plate |
| 9 | 1 | 666017 | Upper Hook – LH |

▲ Includes items 1 – 4.

Backrest Group



| 25D | | | |
|-----|-----|----------|------------------|
| REF | QTY | PART NO. | DESCRIPTION |
| | | 221577 | Backrest Group |
| 1 | 1 | 669897 | Backrest |
| 2 | 8 | 768810 | Capscrew, M10x30 |
| 3 | 8 | 667910 | Washer, M10 |
| 4 | 8 | 674356 | Tube End |

Reference: SK-6390.

Do you have questions you need answered right now? Call your nearest Cascade Parts Department. Visit us online at www.cascorp.com

Cascade Corporation
2501 Sheridan Avenue
Springfield, OH 45505
Tel: 888-CASCADE (227-2233)
FAX: 888-329-0234

Cascade Canada Inc.
5570 Timberlea Blvd.
Mississauga, Ontario
Canada L4W-4M6
Tel: 905-629-7777
FAX: 905-629-7785

Cascade GmbH
D-41199 Monchengladbach
Klosterhofweg 52
Germany
Tel: 49-216-668230
FAX: 49-216-6682323

Cascade Finland
Albert Petreliuksenkatu 3
01370 Vantaa
Finland
Tel: 358-9-836-1925
FAX: 358-9-836-1935

**Cascade N.V.
European Headquarters**
P.O. Box 3009
1300 El Almere
Damluisweg 56
1332 ED Almere
The Netherlands
Tel: 31-36-5492911
FAX: 31-36-5492964

**Cascade N.V.
Benelux Sales and Service**
P.O. Box 3009
1300 El Almere
Damluisweg 56
1332 ED Almere
The Netherlands
Tel: 31-36-5492950
FAX: 31-36-5492974

Cascade (UK) Ltd.
15, Orgreave Crescent
Dore House Industrial Estate
Handsworth
Sheffield S13 9NQ
England
Tel: 742-697524
FAX: 742-695121

Cascade Scandinavia AB
Box 124
Hammarvägen 10
567 23 Vaggeryd
Sweden
Tel: 42-0-393-36950
FAX: 46-0-393-36959

Cascade Norway
Østerliveien 37A
1153 Oslo
Norway
Tel: 47-22-743160
FAX: 47-22-743157

Cascade France S.A.R.L.
1D Rue De Charaintru
BP 18, 91360 Epinay-Sur-Orge
Morangis Cedex, France
Tel: 33-1- 64547500
FAX: 33-1-64547501

Cascade Hispania S.A.
Carrer 5 Sector C
Zona Franca Duanera
Poligono de la Zon Franca
08040 Barcelona, Spain
Office No. 256
Tel: 93-264-07-30
FAX: 93-264-07-31

Cascade Japan Ltd.
5-5-41,
Torikai Kami
Settsu, Osaka
Japan, 566
Tel: 81-726-53-3490
FAX: 81-726-53-3497

Cascade Korea
108B, Namdong Ind Complex
658-3 Gojan-Dong
Namdong-Gu
Inchon, 405-310 Korea
Tel: 82-32-821-2051
FAX: 82-32-821-2055

Cascade Australia
1445 Ipswich Road
Rocklea, QLD 4106
Australia
Tel: 1-800227-223
FAX: (07) 3373-7333

Cascade New Zealand
15 Ra Ora Drive
East Tamaki, Auckland
New Zealand
Tel: 9-273-9136
FAX: 9-273-9137

Cascade (Africa) Pty. Ltd.
P.O. Box 625, Isando 1600
60A Steel Road
Sparton, Kempton Park
South Africa
Tel: 27-11-975-9240
FAX: 27-11-394-1147

Cascade-Xiamen
No. 668 Yangguang Rd.
Xinyang Industrial Zone
Haicang, Xiamen City
Fujian Province
P.R. China 361026
Tel: 86-592-651-2500
FAX: 86-592-651-2571

**Cascade (Singapore)
Trading Co.**
Four Seasons Park
Autumn Block - Apt. 1802
12 Cuscaden Walk
Singapore
Tel: 65-834-1935
FAX: 65-834-1936

