



Parts Manual

Model Carton Clamp

Serial Number 30E-CCS-A035R0

cascade[®]
corporation

For Technical Assistance call: 800-227-2233, Fax: 888-329-8207

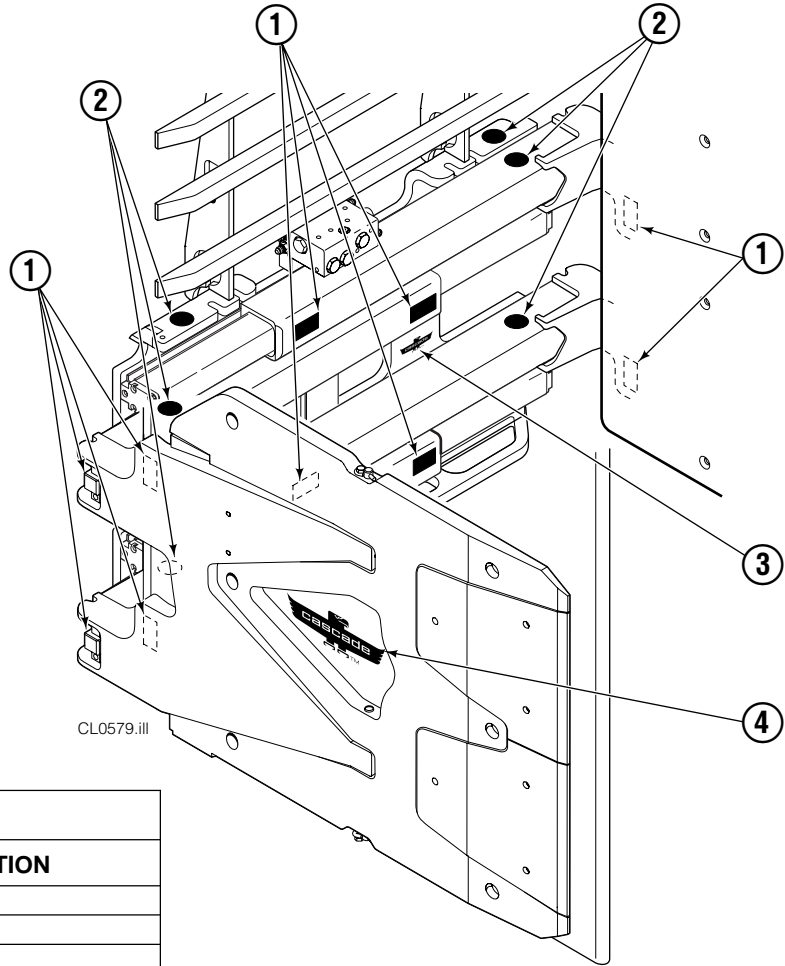
To Order Parts call: 888-227-2233, Fax: 888-329-0234

OR

Write: Cascade Corporation, P.O. Box 20187, Portland, OR 97220

Internet: www.cascorp.com

Decals



CL0579.ill

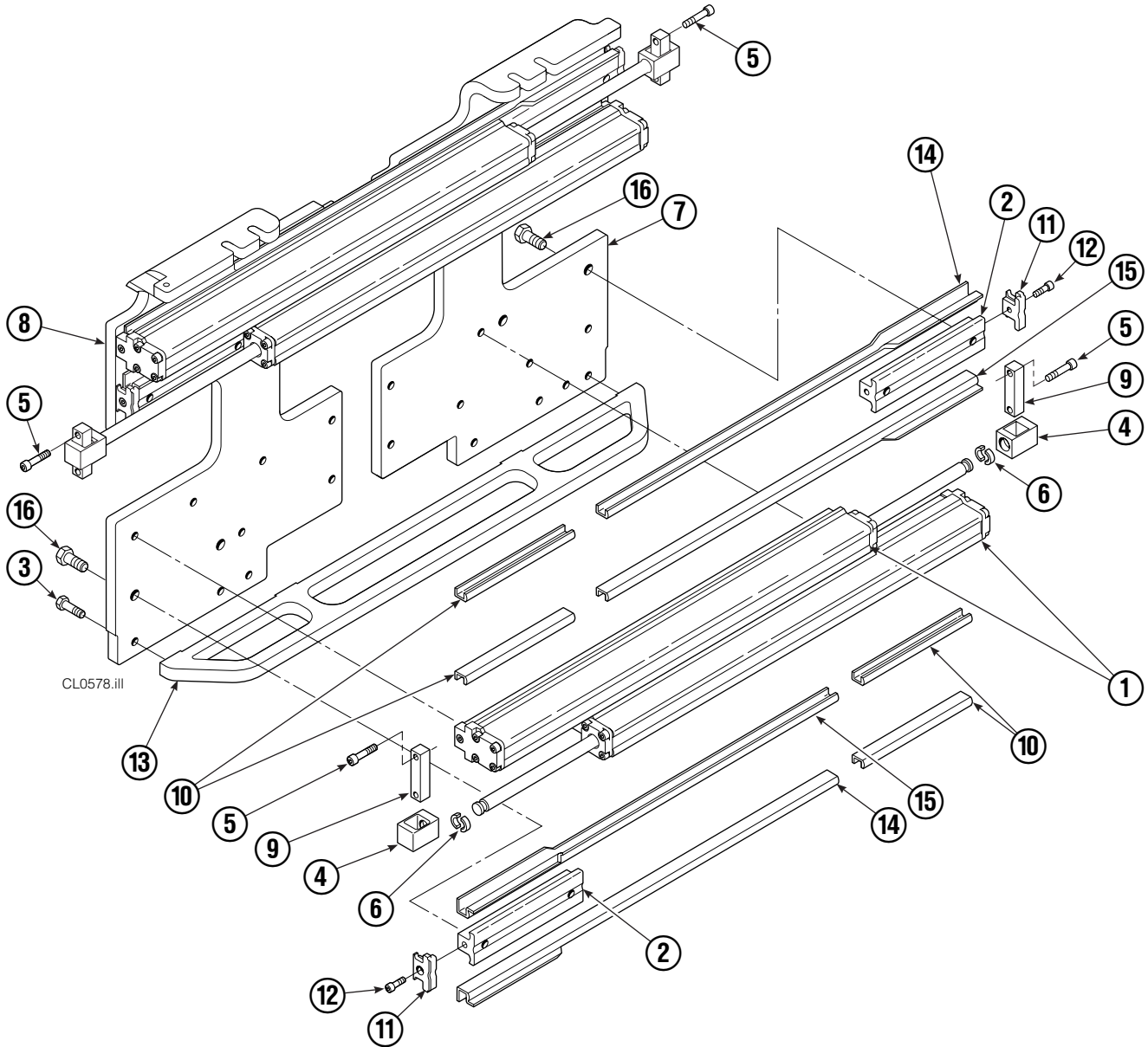
| 30E | | | |
|-----|-----|----------|--------------------|
| REF | QTY | PART NO. | DESCRIPTION |
| 1 | 12 | 665595 | No Hand Hold Decal |
| 2 | 6 | 679150 | No Step Decal |
| 3 | 1 | 211274 | Eagle - 80 mm |
| 4 | 2 | 211276 | Eagle - 240 mm |

Publications



| 30E | |
|----------|-----------------------------|
| PART NO. | DESCRIPTION |
| | Parts Manual |
| 215204 | Service Manual |
| 210273 | Operator's Guide |
| 212116 | Installation Instructions |
| 679929 | Tool Catalog |
| 673964 | Literature Index Order Form |

Base Unit Group



CL0578.iii

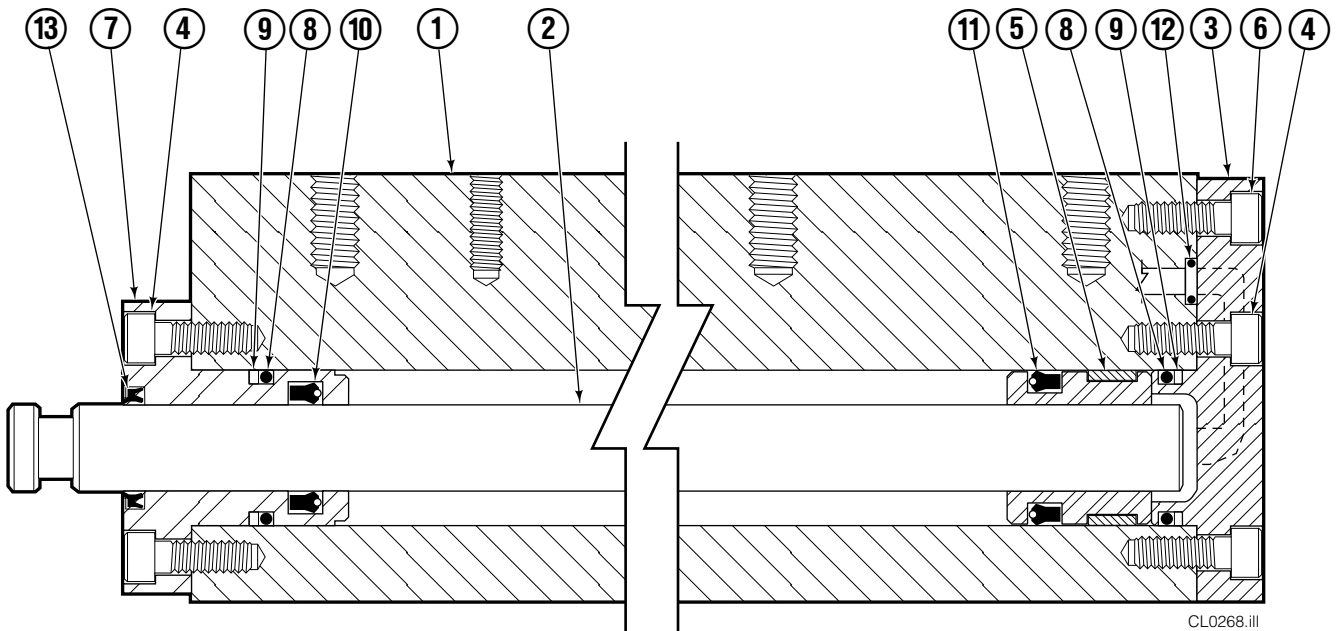
| 30E | | | | | | | |
|-----|-----|----------|----------------------------|-----|-----|----------|----------------------------|
| REF | QTY | PART NO. | DESCRIPTION | REF | QTY | PART NO. | DESCRIPTION |
| | | 217495 | Base Unit Group | 9 | 4 | 210489 | Rod End Anchor ● |
| 1 | 4 | 210117 | Cylinder ▲ | 10 | 8 | 213735 | Bearing Spacer |
| 2 | 4 | 217001 | T-Bar | 11 | 4 | 210140 | Bearing Retainer |
| 3 | 28 | 211689 | Capscrew, M12 x 30 GR 10.9 | 12 | 4 | 787375 | Capscrew, M8 x 20 |
| 4 | 4 | 209741 | Rod End ● | 13 | 1 | 212500 | Bumper |
| 5 | 8 | 768303 | Capscrew, M10 x 35 ● | 14 | 4 | 209120 | Bearing |
| 6 | 8 | 210490 | Retainer Half Ring ● | 15 | 4 | 209119 | Bearing |
| 7 | 1 | 216997 | Baseplate – LH | 16 | 8 | 211128 | Capscrew, M16 x 30 GR 10.9 |
| 8 | 1 | 216998 | Baseplate – RH | | | 213856 | Service Kit |

▲ See Cylinder page for parts breakdown.

● Included in Cylinder Rod Anchor Kit 213856.

Reference: SK-6089.

Cylinder



| 33E | | | | | | | |
|-----|-----|----------|-------------------|-----|-----|----------|----------------|
| REF | QTY | PART NO. | DESCRIPTION | REF | QTY | PART NO. | DESCRIPTION |
| | | 210117 | Cylinder Assembly | 8 | 2 | 210053 | O-Ring ▲ |
| 1 | 1 | 210118 | Cylinder/Shell | 9 | 2 | 210050 | Back-Up Ring ▲ |
| 2 | 1 | 4157-820 | Rod | 10 | 1 | 212477 | Seal ▲ |
| 3 | 1 | 213783 | Cap | 11 | 1 | 209808 | Seal ▲ |
| 4 | 8 | 768208 | Capscrew, M8 x 25 | 12 | 2 | 214053 | O-Ring ▲ |
| 5 | 1 | 209809 | Bearing ▲ | 13 | 1 | 562131 | Wiper ▲ |
| 6 | 1 | 787375 | Capscrew, M8 x 20 | | | 210090 | Service Kit |
| 7 | 1 | 212452 | Retainer | | | | |

▲ Included in Service Kit 210090.

Reference: S-4644, S-4643.

Hydraulic Group



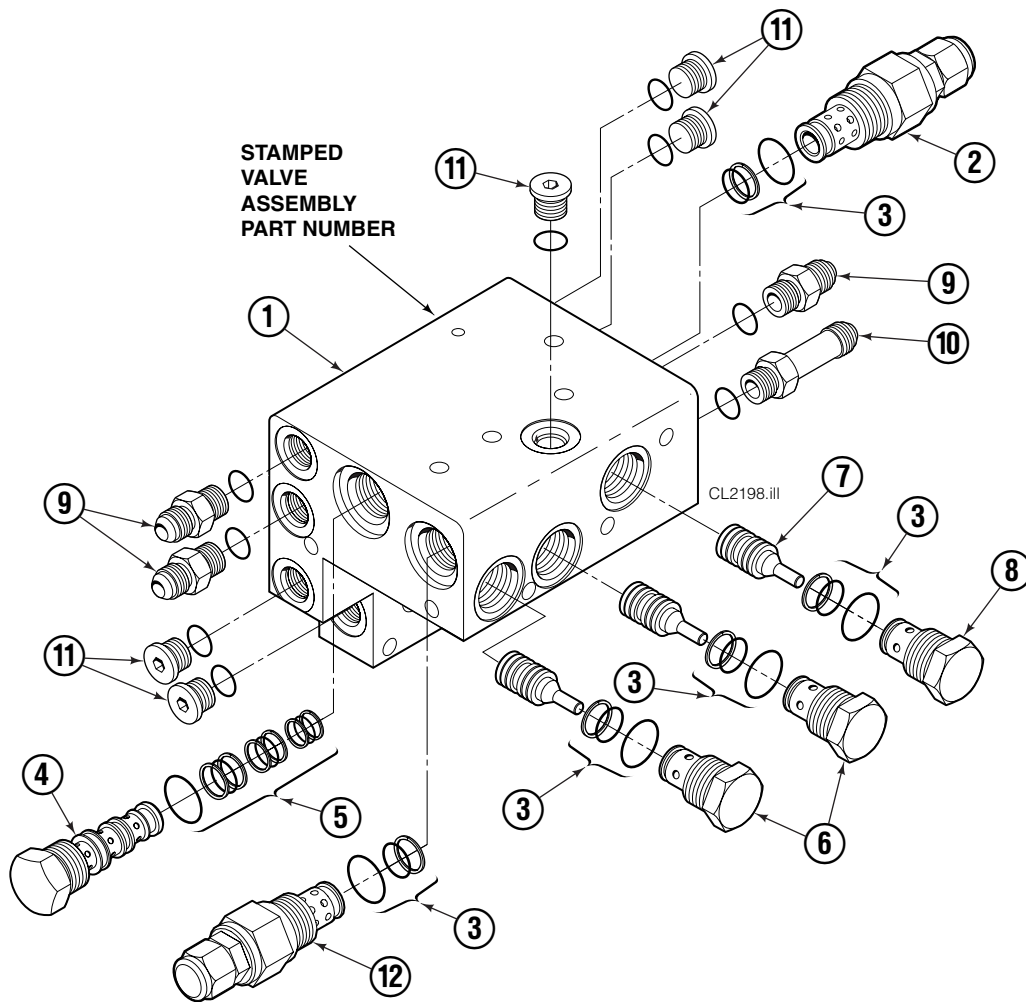
| 30E | | | |
|-----|-----|----------|----------------------|
| REF | QTY | PART NO. | DESCRIPTION |
| | | 215872 | Hydraulic Group |
| | | 212983 | Manifold Group |
| 1 | 1 | 215873 | Valve Assembly ▲ |
| 2 | 6 | 768208 | Capscrew, M8 x 25 |
| 3 | 2 | 768797 | Capscrew, M8 x 40 |
| 4 | 2 | 768800 | Capscrew, M8 x 60 |
| 5 | 11 | 214053 | O-Ring, 90 Durometer |
| 6 | 1 | 212974 | Manifold |

▲ See Valve page for parts breakdown,
part number stamped on valve.

Reference: SK-6090.

Valve

Sideshifting Without Regeneration

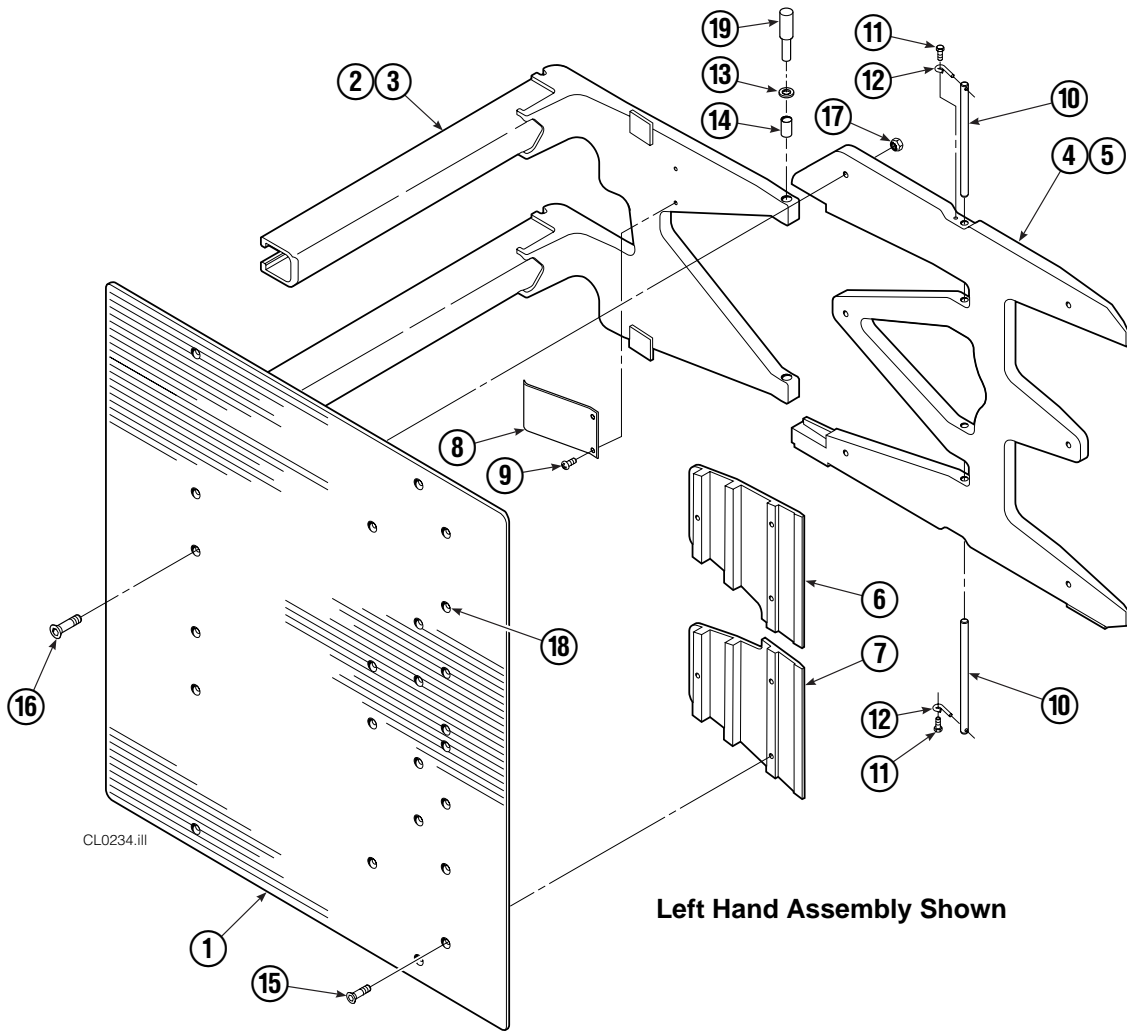


| REF | QTY | PART NO. | DESCRIPTION |
|-----|-----|----------|------------------------|
| | | 215873 | Valve Assembly |
| 1 | 1 | 215874 | Valve Body |
| 2 | 1 | 214405 | Crossover Relief Valve |
| 3 | 5 | 682170 | Seal Kit ▲ |
| 4 | 1 | 210266 | Flow Divider/Combiner |
| 5 | 1 | 679992 | Seal Kit ▲ |
| 6 | 2 | 209847 | Check Valve |
| 7 | 3 | 215756 | Piston |
| 8 | 1 | 6025134 | Check Valve |
| 9 | 3 | 604511 | Fitting, 6-6 ● |
| 10 | 1 | 605743 | Fitting, 6-6 ● |
| 11 | 5 | 604510 | Fitting, 6 |
| 12 | 1 | 215876 | Crossover Relief Valve |
| | | 210452 | Valve Service Kit |

▲ Included in Valve Service Kit 210452.

● Included in Fitting Group 212978.

Arms and Pads



Left Hand Assembly Shown

| 33E | | | |
|-----|-----|--------------------|---------------------------------------|
| REF | QTY | CONTACT PAD WIDTH | DESCRIPTION |
| | | 47.2 in. (1200 mm) | |
| 1 | 2 | 210470 | Contact Pad – 48 in. (1220 mm) Height |
| 2 | 1 | 212003 | Arm – LH |
| 3 | 1 | 212004 | Arm – RH |
| 4 | 1 | 210403 | Stabilizer – LH |
| 5 | 1 | 210406 | Stabilizer – RH |
| 6 | 2 | 210180 | Filler Block – LH Upper/RH Lower |
| 7 | 2 | 210179 | Filler Block – LH Lower/RH Upper |

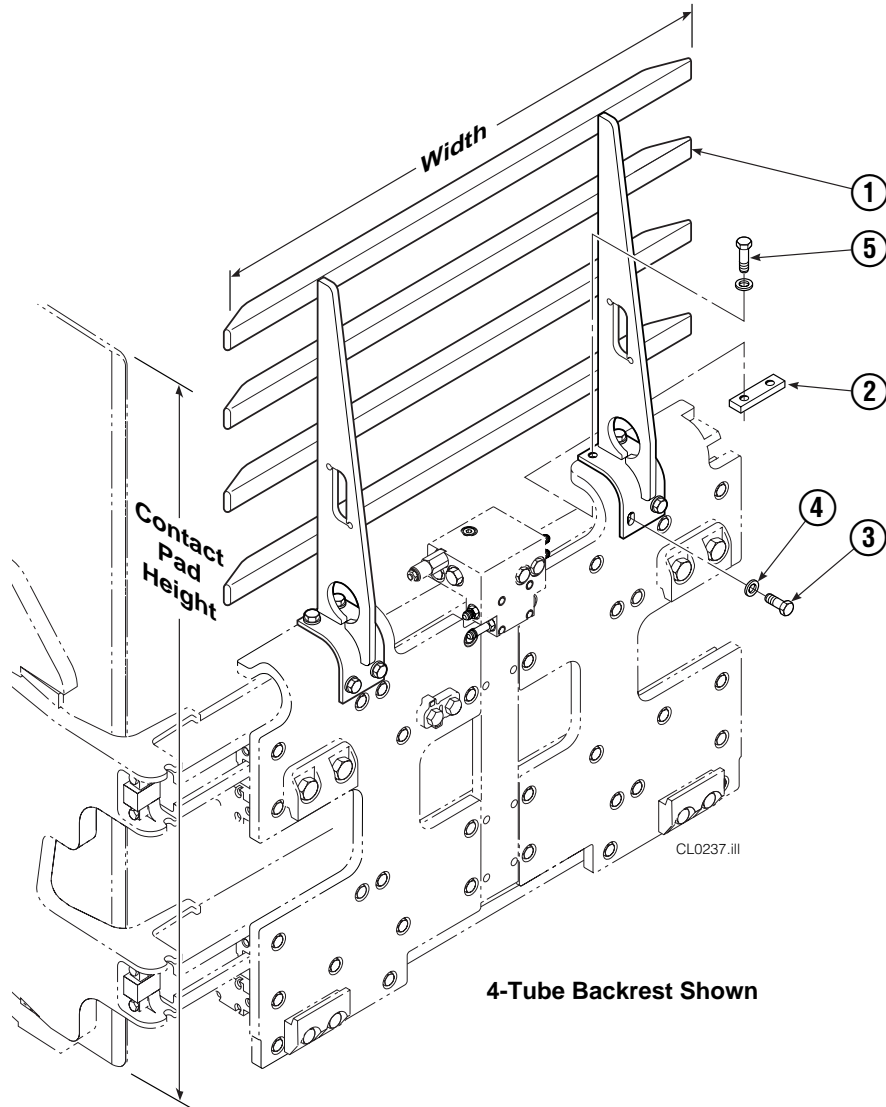
Common Parts

| REF | QTY | PART NO. | DESCRIPTION | REF | QTY | PART NO. | DESCRIPTION |
|-----|-----|----------|--------------------|-----|-----|----------|------------------------|
| 8 | 2 | 210154 | Spring | 14 | 8 | 200590 | Bushing |
| 9 | 4 | 203405 | Capscrew, M10 x 16 | 15 | 12 | 766646 | Capscrew, M10 x 20 |
| 10 | 4 | 210161 | Pin | 16 | 12 | 768706 | Capscrew, M12 x 35 |
| 11 | 4 | 787372 | Capscrew, M8 x 20 | 17 | 12 | 221409 | Nut, M12 |
| 12 | 4 | 682999 | Eye Pin | 18 | ▲ | 673841 | Contact Pad Repair Kit |
| 13 | 8 | 675620 | Washer, M10 | 19 | 1 | 675626 | Bushing Driver Tool |

S-4246, S-4217, Stabilizer Group 210409.
Common Parts 210495.

▲ Repairs one hole.

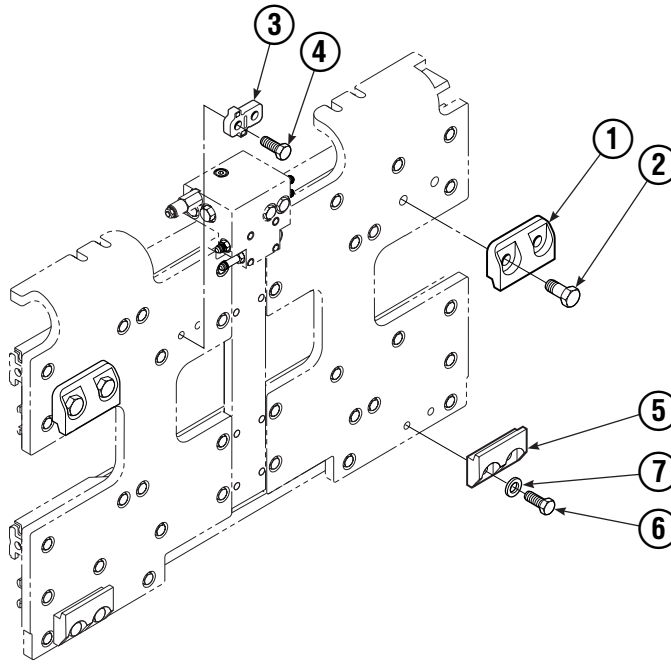
Backrest Group



| 33E | | | | |
|------------|-----|----------------------------|--|-------------------------------------|
| REF | QTY | CONTACT PAD HEIGHT | | DESCRIPTION |
| | | 47 in. (1200 mm) – 3 -Tube | | |
| 1 | 1 | 210525 | | Backrest ▲ – 40 in. (1016 mm) width |
| 2 | 2 | 210155 | | Plate |
| 3 | 4 | 211689 | | Capscrew, M12 x 30 |
| 4 | 8 | 202251 | | Washer, M12 |
| 5 | 4 | 206174 | | Capscrew, M12 x 45 |

▲ Backrest without Solenoid Adaption mounting.
Reference: 211448 (items 2 thru 5), S-4198, S-4265.

Bolt-On Mounting Group



CL0236.iii

| 33E | | | |
|-----|-----|----------|------------------------|
| REF | QTY | ITA II | DESCRIPTION |
| | | PART NO. | |
| | | 211162 | Upper Mounting Group ▲ |
| | | 211173 | Lower Mounting Group ● |
| 1 | 2 | 210491 | Upper Hook |
| 2 | 4 | 768577 | Capscrew, M20 x 35 |
| 3 | 1 | 212999 | Center Key |
| 4 | 2 | 211129 | Capscrew, M16 x 35 |
| 5 | 2 | 675968 | Lower Hook |
| 6 | 4 | 211128 | Capscrew, M16 x 30 |
| 7 | 4 | 211179 | Washer, M16 |

▲ Includes items 1–4.

● Includes items 4–6.

Reference: SK-6089.

Do you have questions you need answered right now? Call your nearest Cascade Parts Department. Visit us online at www.cascorp.com

Cascade Corporation
2501 Sheridan Avenue
Springfield, OH 45505
Tel: 888-CASCADE (227-2233)
FAX: 888-329-0234

Cascade Canada Inc.
5570 Timberlea Blvd.
Mississauga, Ontario
Canada L4W-4M6
Tel: 905-629-7777
FAX: 905-629-7785

Cascade GmbH
D-41199 Monchengladbach
Klosterhofweg 52
Germany
Tel: 49-216-668230
FAX: 49-216-6682323

Cascade Finland
Albert Petreliuksenkatu 3
01370 Vantaa
Finland
Tel: 358-9-836-1925
FAX: 358-9-836-1935

**Cascade N.V.
European Headquarters**
P.O. Box 3009
1300 El Almere
Damsluisweg 56
1332 ED Almere
The Netherlands
Tel: 31-36-5492911
FAX: 31-36-5492964

**Cascade N.V.
Benelux Sales and Service**
P.O. Box 3009
1300 El Almere
Damsluisweg 56
1332 ED Almere
The Netherlands
Tel: 31-36-5492950
FAX: 31-36-5492974

Cascade (UK) Ltd.
15, Orgreave Crescent
Dore House Industrial Estate
Handsworth
Sheffield S13 9NQ
England
Tel: 742-697524
FAX: 742-695121

Cascade Scandinavia AB
Box 124
Hammarvägen 10
567 23 Vaggeryd
Sweden
Tel: 42-0-393-36950
FAX: 46-0-393-36959

Cascade Norway
Østerliveien 37A
1153 Oslo
Norway
Tel: 47-22-743160
FAX: 47-22-743157

Cascade France S.A.R.L.
1D Rue De Charaintru
BP 18, 91360 Epinay-Sur-Orge
Morangis Cedex, France
Tel: 33-1- 64547500
FAX: 33-1-64547501

Cascade Hispania S.A.
Carrer 5 Sector C
Zona Franca Duanera
Poligono de la Zon Franca
08040 Barcelona, Spain
Office No. 256
Tel: 93-264-07-30
FAX: 93-264-07-31

Cascade Japan Ltd.
5-5-41,
Torikai Kami
Settsu, Osaka
Japan, 566
Tel: 81-726-53-3490
FAX: 81-726-53-3497

Cascade Korea
108B, Namdong Ind Complex
658-3 Gojan-Dong
Namdong-Gu
Inchon, 405-310 Korea
Tel: 82-32-821-2051
FAX: 82-32-821-2055

Cascade Australia
1445 Ipswich Road
Rocklea, QLD 4106
Australia
Tel: 1-800227-223
FAX: (07) 3373-7333

Cascade New Zealand
15 Ra Ora Drive
East Tamaki, Auckland
New Zealand
Tel: 9-273-9136
FAX: 9-273-9137

Cascade (Africa) Pty. Ltd.
P.O. Box 625, Isando 1600
60A Steel Road
Sparton, Kempton Park
South Africa
Tel: 27-11-975-9240
FAX: 27-11-394-1147

Cascade-Xiamen
No. 668 Yangguang Rd.
Xinyang Industrial Zone
Haicang, Xiamen City
Fujian Province
P.R. China 361026
Tel: 86-592-651-2500
FAX: 86-592-651-2571

**Cascade (Singapore)
Trading Co.**
Four Seasons Park
Autumn Block - Apt. 1802
12 Cuscaden Walk
Singapore
Tel: 65-834-1935
FAX: 65-834-1936

