



Parts Manual

Model Single-Double Pallet Handler

Serial Number 55E-FDS-1896

cascade[®]
corporation

For Technical Assistance call: 800-227-2233, Fax: 888-329-8207

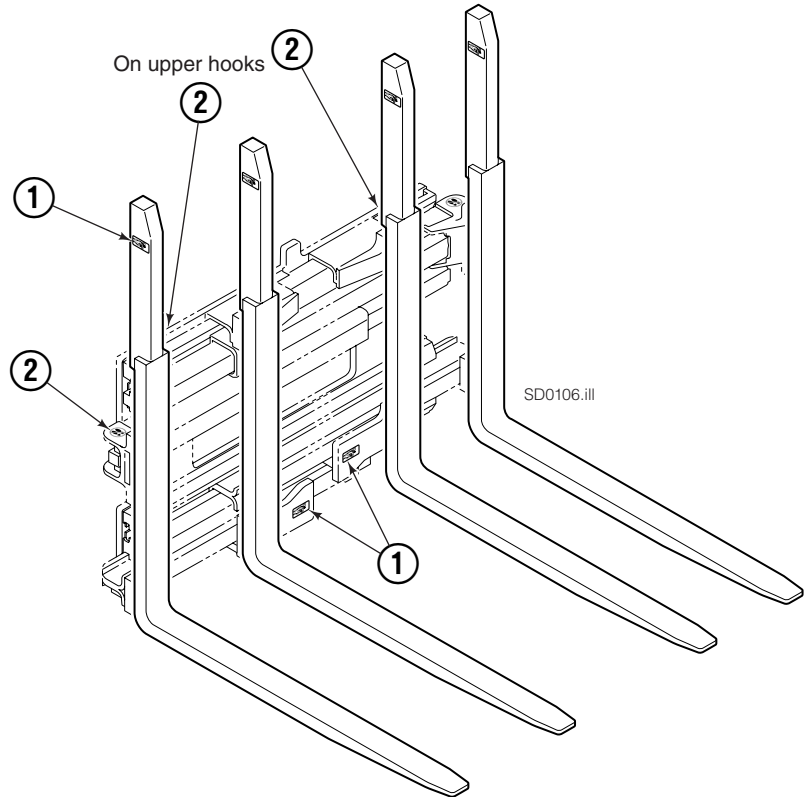
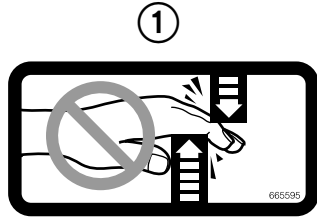
To Order Parts call: 888-227-2233, Fax: 888-329-0234

OR

Write: Cascade Corporation, P.O. Box 20187, Portland, OR 97220

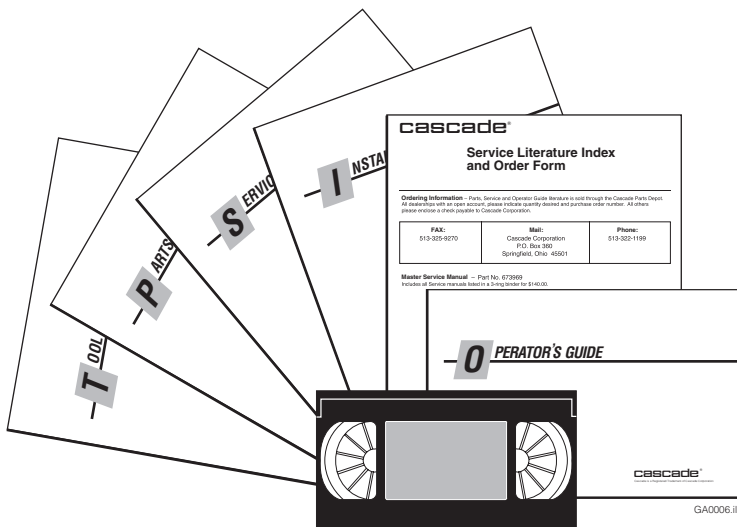
Internet: www.cascorp.com

Safety Decals



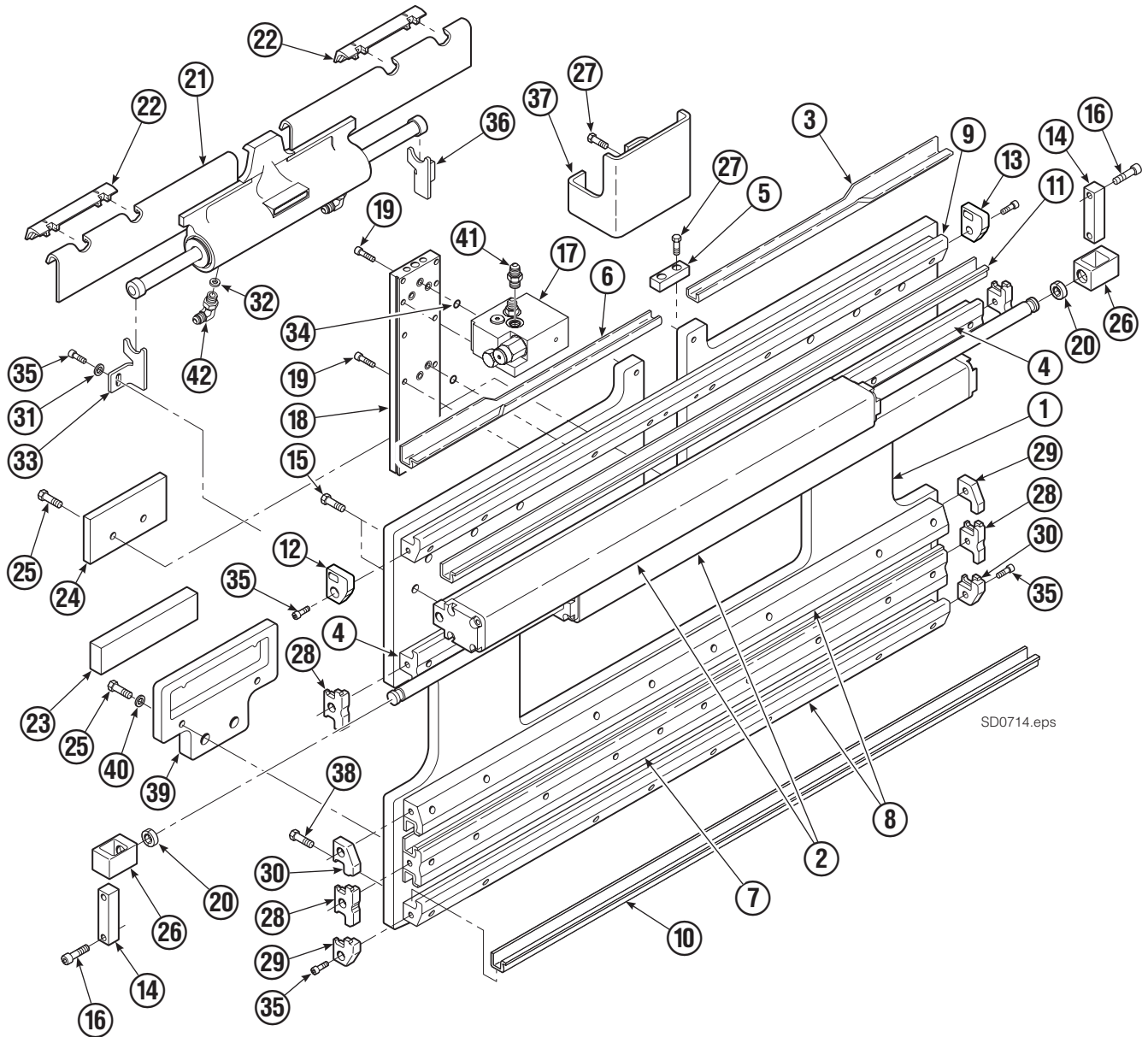
55E			
REF	QTY	PART NO.	DESCRIPTION
1	6	665595	No Hand Hold Decal
2	4	679150	No Step Decal

Publications



55E	
215793	Service Manual
213580	Operator's Guide
213372	Installation Instructions
679929	Tool Catalog
673964	Literature Index Order Form

Base Unit Group - ITA Class III



SD0714.eps

Base Unit Group - ITA Class III

55E			
REF	QTY	PART NO.	DESCRIPTION
		6121912	Base Unit Group - Class III
1	1	3010969	Baseplate (S-20006)
2	2	214620	Frame Cylinder ▼
3	1	4786-0488	Bearing Segment – LH
4	2	6116810	T-Bar – Upper (S-28323)
5	1	212722	Fork Stop
6	1	4787-0488	Bearing Segment – RH
7	1	6116813	T-Bar – Lower (S-28324)
8	2	6116815	T-Bar – Lower (S-28325)
9	1	6116808	T-Bar – Upper (S-28322)
10	4	4730-1040	Bearing Segment
11	4	4730-1050	Bearing Segment

▼ See Frame Cylinder page for parts breakdown.
Reference: SK-12110.

REF	QTY	PART NO.	DESCRIPTION	REF	QTY	PART NO.	DESCRIPTION
		6121993	Common Parts Group	27	4	648649	Capcrew, M10 x 25
12	1	211380	Retainer/Stop - RH	28	4	210140	Bearing Retainer
13	1	211379	Retainer/Stop - LH	29	2	212585	Bearing Retainer
14	2	210489	■ Rod End Anchor	30	2	212586	Bearing Retainer
15	22	211689	Capcrew, M12 x 30	31	2	787398	Washer
16	4	768303	■ Capcrew, M10 x 35	32	1	564226	Restrictor Washer
17	1	6115159	Valve Assembly ▲	33	1	213737	Bracket - RH
18	1	211456	Manifold	34	7	214053	O-Ring
19	10	768208	Capcrew, M8 x 25	35	12	787375	Capcrew, M8 x 20 GR 8.8
20	4	210490	■ Retainer Half Ring	36	1	213736	Bracket - LH
21	1	6105189	Sideshift Cylinder ●	37	1	6007050	Valve Guard
22	2	672018	Upper Bearing	38	30	214487	Capcrew, M12 x 40
23	2	208350	Lower Bearing	39	2	215226	Hanger
24	2	212709	Spacer Block	40	4	787383	Lockwasher, M10
25	8	767615	Capcrew, M10 x 25	41	2	604511	◆ Fitting, 6-6
26	2	209741	■ Rod End	42	2	601676	◆ Fitting, 6-6

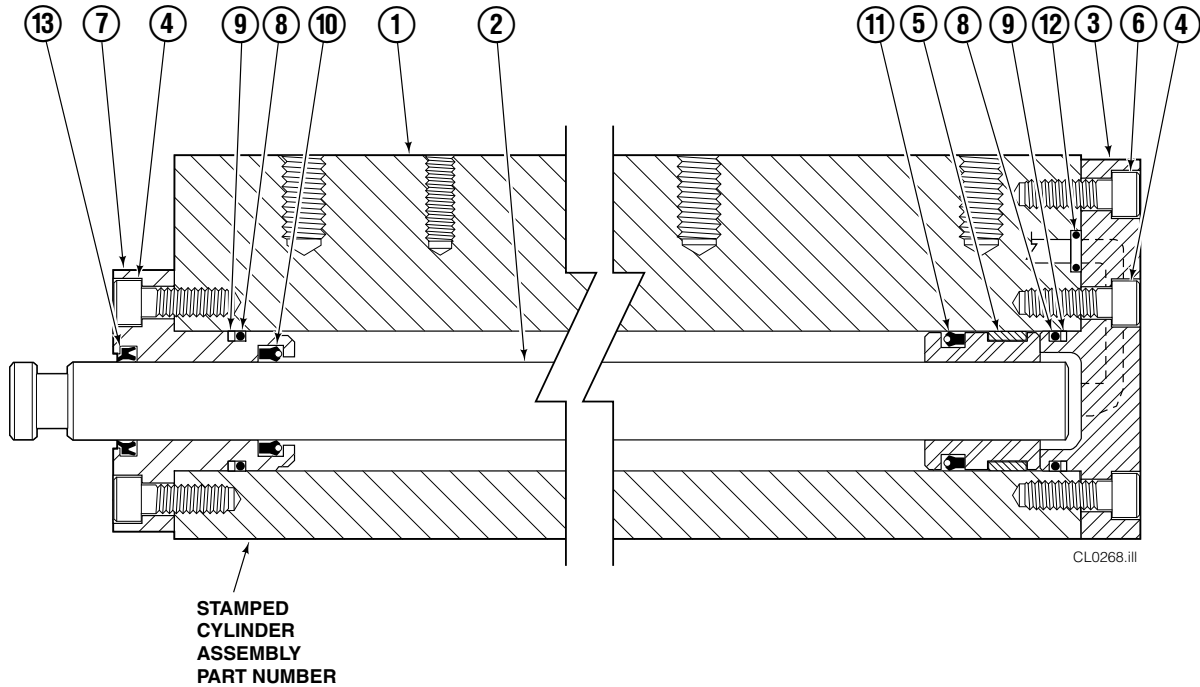
■ Included in Cylinder Rod Anchor Kit 213856.

● See Sideshift Cylinder page for parts breakdown.

▲ See Valve Assembly page for parts breakdown.

◆ Included in Fitting Group 213099.

Frame Cylinder

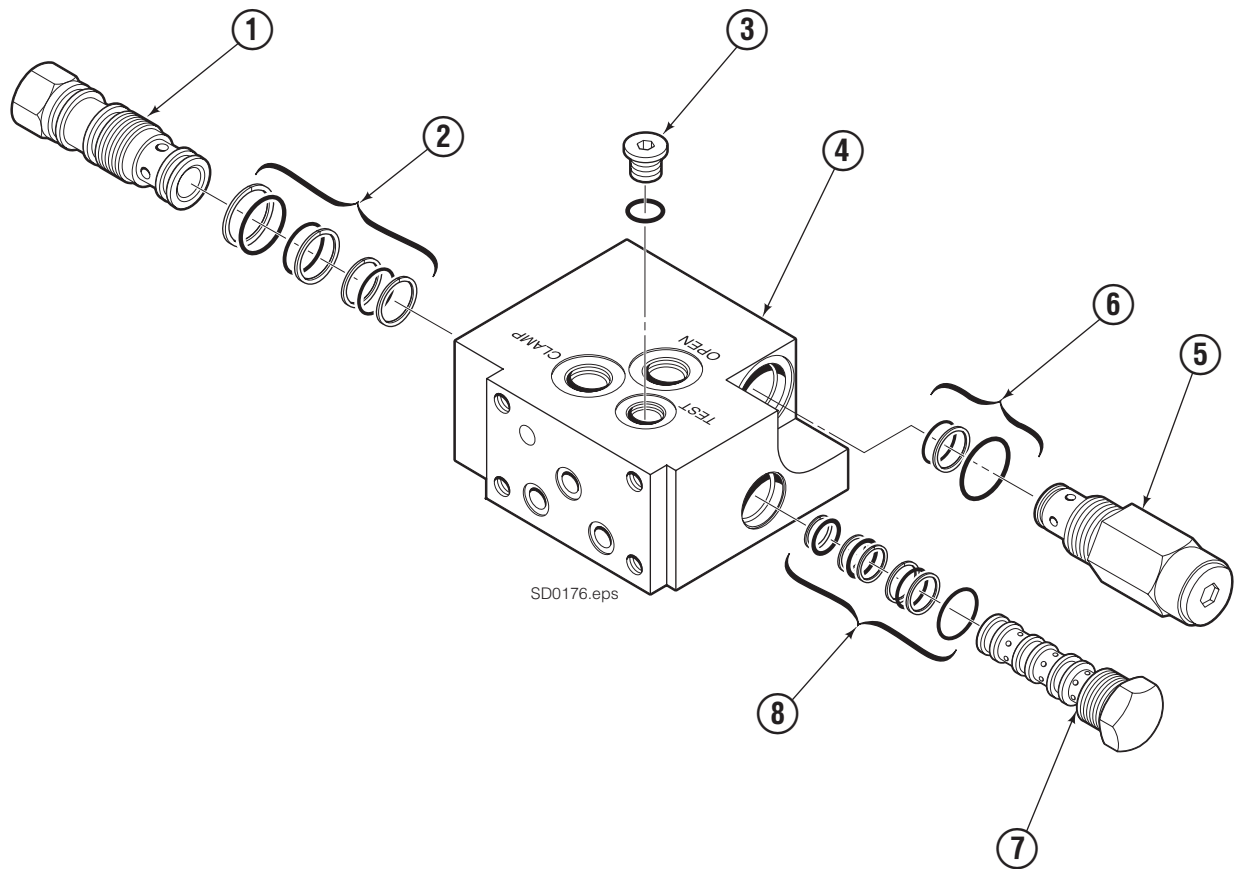


55E			
REF	QTY	PART NO.	DESCRIPTION
		214620	Cylinder Assembly
1	1	214621	Cylinder/Shell
2	1	4157-805	Rod
3	1	213783	End Cap
4	8	768208	Capscrew, M8 x 25
5	1	209809	▲ Bearing
6	1	787375	Capscrew, M8 x 20
7	1	212452	Retainer
8	3	643379	▲ O-Ring
9	2	210050	▲ Back-Up Ring
10	1	212477	▲ Seal
11	1	209808	▲ Seal
12	2	214053	▲ O-Ring
13	1	562131	▲ Wiper
		210090	Service Kit

▲ Included in Service Kit 210090.

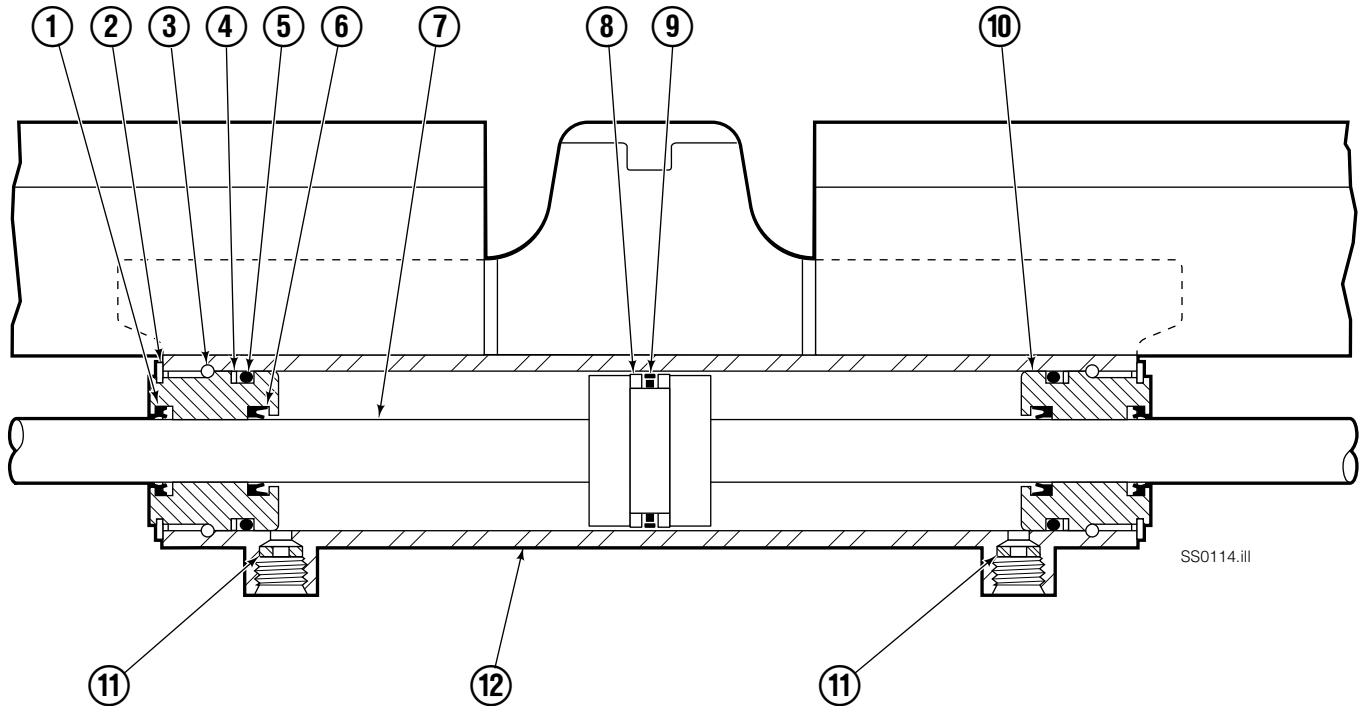
Reference: S-4643, S-4644.

Valve Assembly



REF	QTY	PART NO.	DESCRIPTION
		6115159	Valve Assembly
1	1	6121796	Check Valve
2	1	6137234	Service Kit
3	1	609234	Plug
4	1	6121775	Valve Body
5	1	6109571	Relief Valve
6	1	220151	Service Kit
7	1	6024293	Flow Divider Valve
8	1	6126153	Service Kit

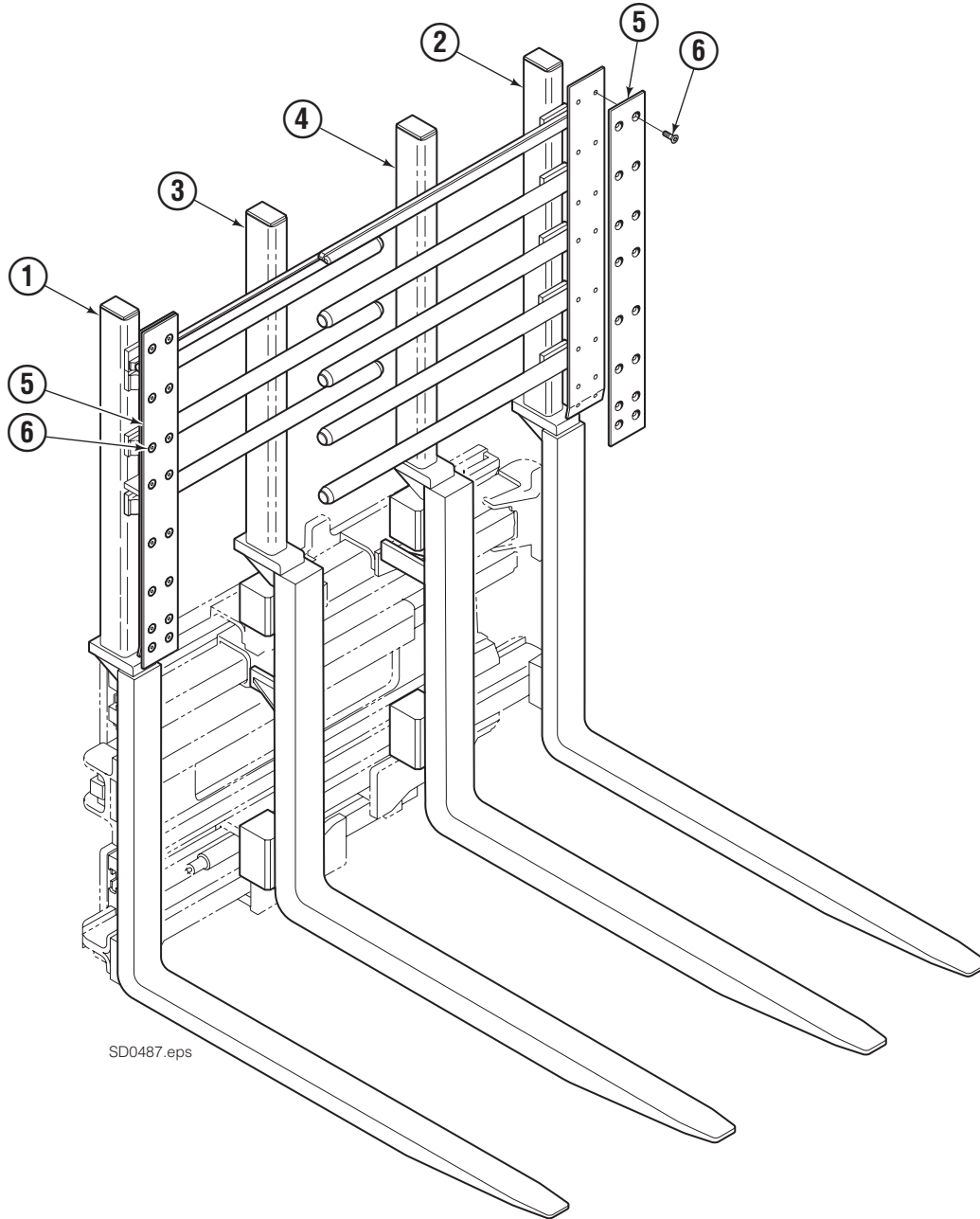
Sideshift Cylinder ITA Class III



55E			
REF	QTY	PART NO.	DESCRIPTION
		6105189	Cylinder Assembly
1	2	562131	● Wiper Seal
2	2	562951	Snap Ring
3	2	562942	Retaining Ring
4	2	563388	● Back-Up Ring
5	2	562127	● O-Ring
6	2	562132	● Rod Seal
7	1	562055	Rod
8	2	563278	● Bearing Ring
9	1	564141	● Piston Seal
10	2	562792	Retainer
11	2	564226	Speed Control Washer ▲
12	-	■	Cylinder Shell
		563487	Service Kit

- Included in Service Kit 563487.
- Not serviceable, order new cylinder assembly.
- ▲ Reference: S-6105, Restrictor Group 205369.

Interlocking Backrest/Fork Group

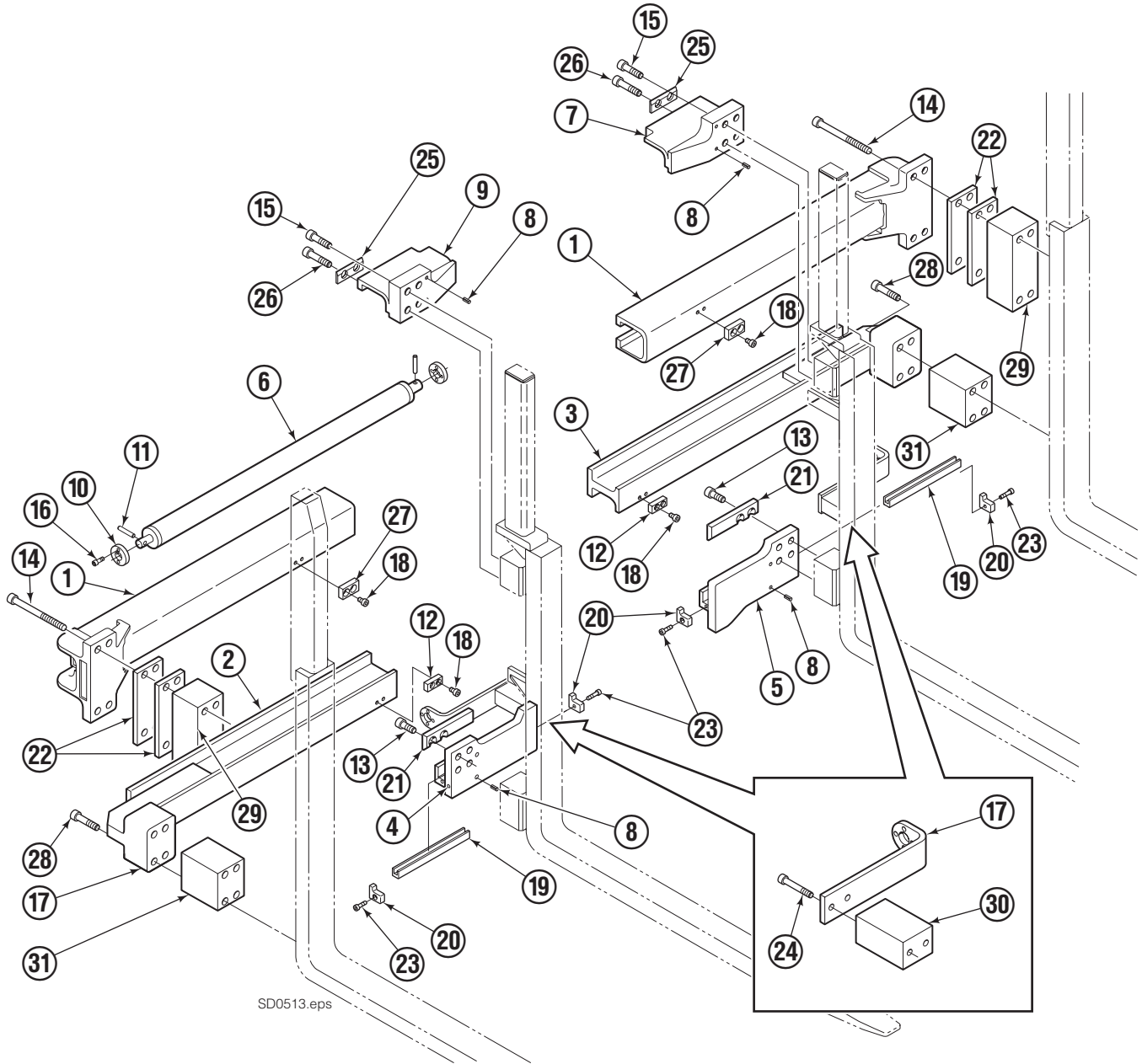


SD0487.eps

55E			
REF	QTY	PART NO.	DESCRIPTION
		6121803	Fork/Backrest Group
1	1	6121805	Outer Fork - RH
2	1	6121804	Outer Fork - LH
3	1	6113705	Inner Fork - RH
4	1	6113704	Inner Fork - LH
5	2	6116645	Contact Pad
6	32	766646	Capscrew, M10 x 20

Reference: S-28282, S-28332.

Arm Group

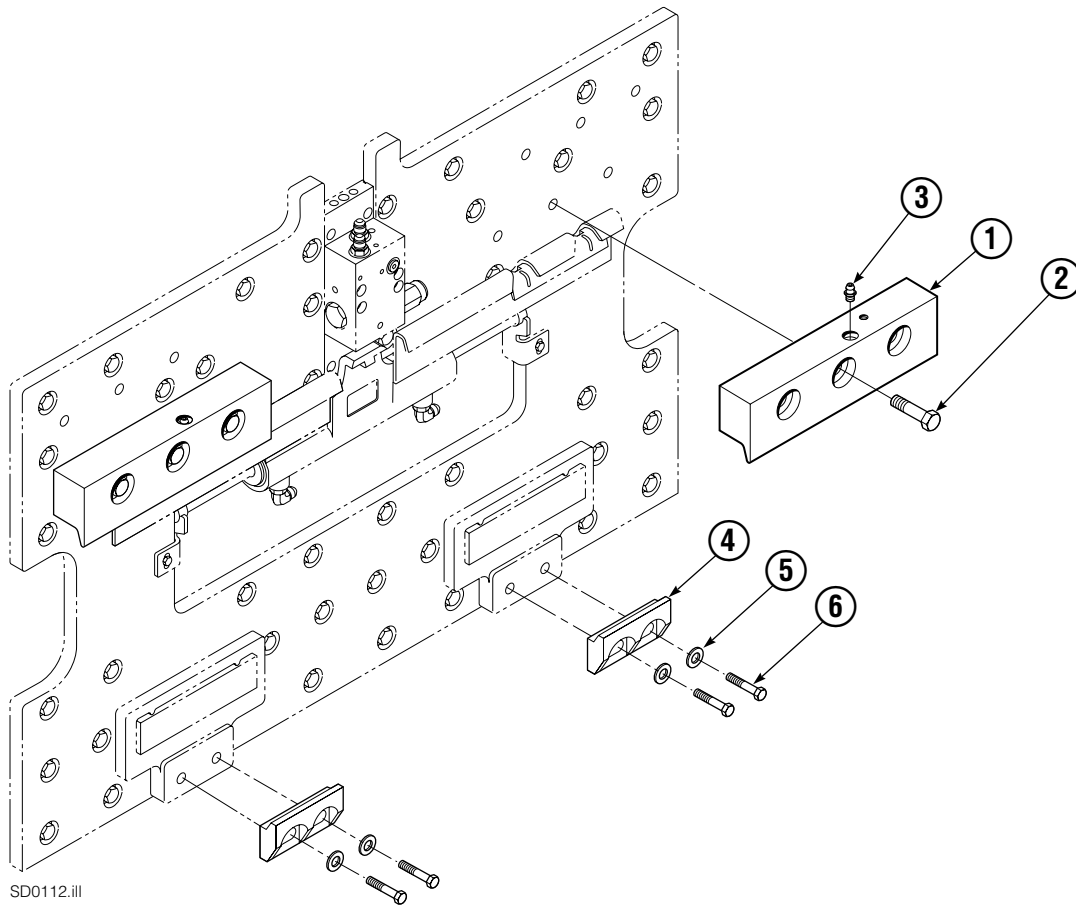


Arm Group

55E			
REF	QTY	PART NO.	DESCRIPTION
		6118951	Arm Group
1	2	6117232	Upper Arm Bar (28343)
2	1	6118831	Lower Arm Bar – RH (28358)
3	1	6118830	Lower Arm Bar – LH (28357)
4	1	6110799	Lower Hook – RH (28214)
5	1	6110798	Lower Hook – LH (28214)
6	1	6111736	Spring Cylinder
7	1	6110789	Upper Hook – LH (28207)
8	4	769014	Roll Pin
9	1	6110790	Upper Hook – RH (28207)
10	2	6003311	Retainer
11	2	6110442	Pin, M6 x 32
12	2	212687	Fork Stop
13	8	769574	Capscrew, M16 x 35
14	8	391347	Capscrew, M16 x 140
15	4	769577	Capscrew, M16 x 50
16	8	787375	Capscrew, M8 x 20
17	2	28258-0222	Bracket
18	8	214414	Capscrew, M10 x 12
19	2	4501-0222	Bearing Segment
20	4	225345	Bearing Retainer
21	2	213899	Bearing
22	4	797610	Spacer
23	4	768208	Capscrew, M8 x 25
24	4	6113570	Capscrew, M10 x 140
25	2	6110402	Bearing Plate
26	4	682073	Capscrew, M16 x 70
27	2	6106154	Fork Stop
28	8	785285	Capscrew, M16 x 110
29	2	391344	Spacer – Upper Outer Fork
30	2	6113493	Spacer
31	2	6119028	Spacer – Lower Outer Fork

Reference: Common Parts Group 6113492-R1, SK-12083.

Mounting Group ITA Class III



SD0112.iii

55E			
REF	QTY	ITA III PART NO.	DESCRIPTION
		3001382	Upper Hook Group ▲
		211175	Lower Hook Group ★
1	2	219379	Upper Hook
2	6	678996	Capscrew, M16 x 60
3	2	7403	Grease Fitting
4	2	675969	Lower Hook
5	4	667225	Washer
6	4	751511	Capscrew, M16 x 55

▲ Includes items 1, 2, & 3.

★ Includes items 4, 5, & 6.

Reference: SK-6116.

Do you have questions you need answered right now? Call your nearest Cascade Parts Department. Visit us online at www.cascorp.com

**Cascade Corporation
U.S. Headquarters**
2201 NE 201st
Fairview, OR 97024-9718
Tel: 800-CASCADE (227-2233)
FAX: 888-329-8207

Cascade Canada Inc.
5570 Timberlea Blvd.
Mississauga, Ontario
Canada L4W-4M6
Tel: 905-629-7777
FAX: 905-629-7785

Cascade GmbH
Niederwippekühl 1
58579 Schalksmühle
Germany
Tel: 02355-50900
FAX: 02355-509020

Cascade Finland
A. Petreliuksenkatu 3
01370 Vantaa
Finland
Tel: 09-8361925
FAX: 09-8361935

**Cascade N.V.
Benelux Sales and Service**
Damsluisweg 56
PO Box 3009
1300 El Almere
The Netherlands
Tel: 036-5492950
FAX: 036-5492974

Cascade Kenhar Ltd.
3 Kelbrook Road
Parkhouse Ind. Estate
Openshaw,
Manchester M11 2DD
England
Tel: 0800-243015
FAX: 0161-4384055

**Sales Scotland
Macade Systems Ltd.**
18 Melford Road
Righead Ind. Estate
Bellshill ML4 3LR
Scotland
Tel: 01698-845777
FAX: 01698-845888

Cascade (Africa) Pty. Ltd.
PO Box 625, Isando 1600
60A Steel Road
Sparton, Kempton Park
South Africa
Tel: 27-11-975-9240
FAX: 27-11-394-1147

Cascade Scandinavia AB
Hammarvägen 10
PO Box 124
S-56723 Vaggeryd
Sweden
Tel: 039-336950
FAX: 039-336959

**Cascade France
S.A.R.L. MHP**
1D Rue De Charaintru BP 18,
91360 Epinay-Sur-Orge
France
Tel: 01-6454-7500
FAX: 01-6454-7501

Cascade Hispania S.A.
Carrer 5, Sector C
Zona Franca Duanera
Poligono de la Zona Franca
08040 Barcelona, Spain
Tel: 93-264-07-30
FAX: 93-264-07-31

Cascade Italia S.R.L.
Via Dell'Artigianato 1
37050 Vago di Lavagno (VR)
Italy
Tel: 39-045-8989111
FAX: 39-045-8989160

Movimenta Lda.
Parque Industrial
Vale do Alecrim, Lote 108
2950-403 Palmela
Portugal
Tel: 351-212387340
FAX: 351-212387349

**Sales Switzerland
Fahrzeugbedarf**
8810, Horgen
Switzerland
Tel: 01-7279797
FAX: 01-7279798

Sales Poland
Targowa 35/61
03-728 Warszawa
Tel: 022-619 00 49
FAX: 022-619 00 49
Mobile Tel: 0501-27 29 55

Sales Russia
EMCG Material Handling
Equipment
Moscow
Tel: 095-795-2400
FAX: 095-795-2475
Email: emcg@emcg.ru

Cascade Japan Ltd.
5-5-41,
Torikai Kami
Settsu, Osaka
Japan, 566
Tel: 81-726-53-3490
FAX: 81-726-53-3497

Cascade Korea
121B 9L Namdong Ind.
Complex, 691-8 Gojan-Dong
Namdong-Ku
Inchon, 405-310 Korea
Tel: 82-32-821-2051
FAX: 82-32-821-2055

Cascade Australia
1445 Ipswich Road
Rocklea, QLD 4107
Australia
Tel: 1-800-227-223
FAX: 617-3373-7333

Cascade New Zealand
15 Ra Ora Drive
East Tamaki, Auckland
New Zealand
Tel: 64-9-273-9136
FAX: 64-9-273-9137

Cascade-Xiamen
No. 668 Yangguang Rd.
Xinyang Industrial Zone
Haicang, Xiamen City
Fujian Province
P.R. China 361026
Tel: 86-592-651-2500
FAX: 86-592-651-2571

**Sunstream Industries
Pte Ltd.**
No. 3 Tuas Link 1
2263
Singapore
Tel: 65-6863-3488
FAX: 65-6863-1368

**Cascade do Brasil
Distribuidora de Garras
e Garfos LTDA**
Rua João Guerra, 134
Macuco, Santos - SP
Brasil 11015-130
Tel: 55-13-2105-8800
Fax: 55-13-2105-8899

