



# Parts Manual

---

Model 40D Bin Dumper

Serial Number 40D-FBB-181

---

**cascade**<sup>®</sup>  
**corporation**

**For Technical Assistance call:** 800-227-2233, Fax: 888-329-8207

**To Order Parts call:** 888-227-2233, Fax: 888-329-0234

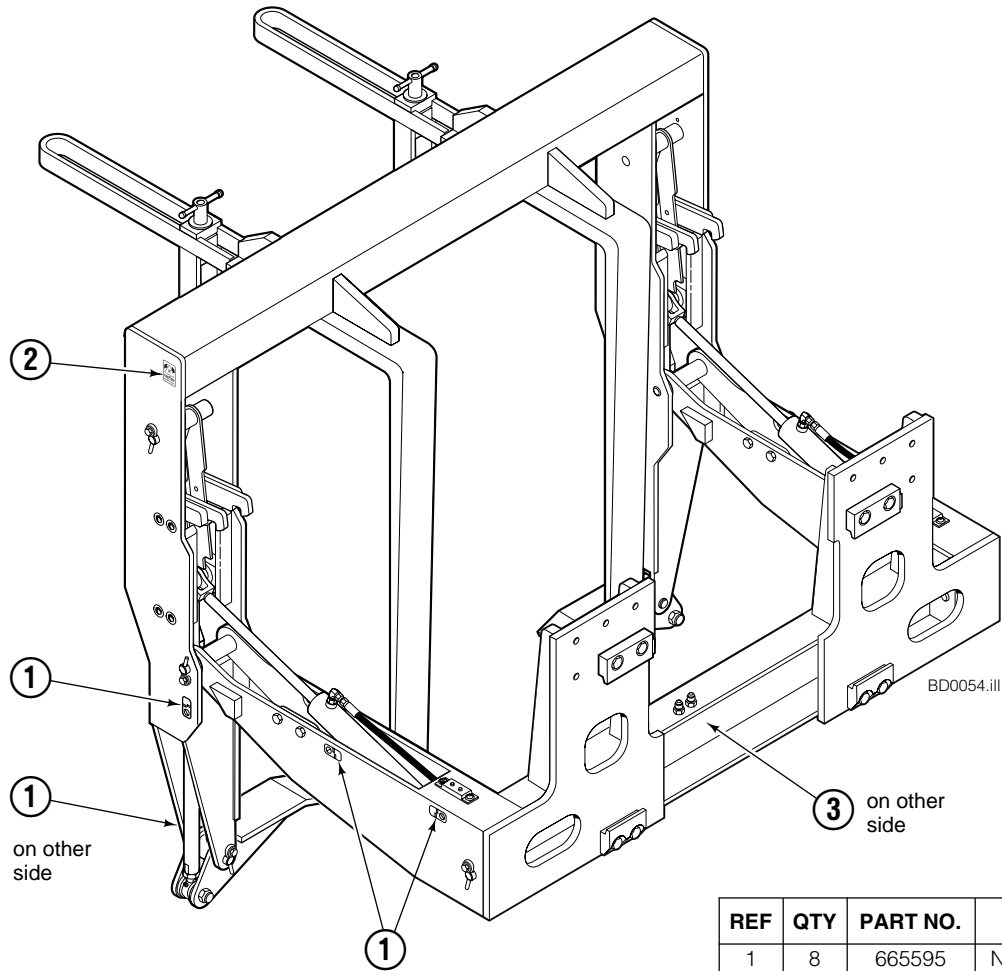
**OR**

**Write:** Cascade Corporation, P.O. Box 20187, Portland, OR 97220

**Internet:** [www.cascorp.com](http://www.cascorp.com)

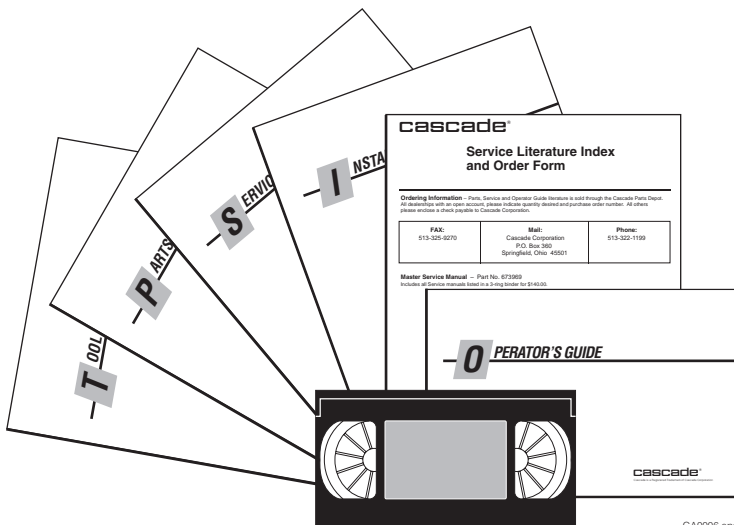


# Decals



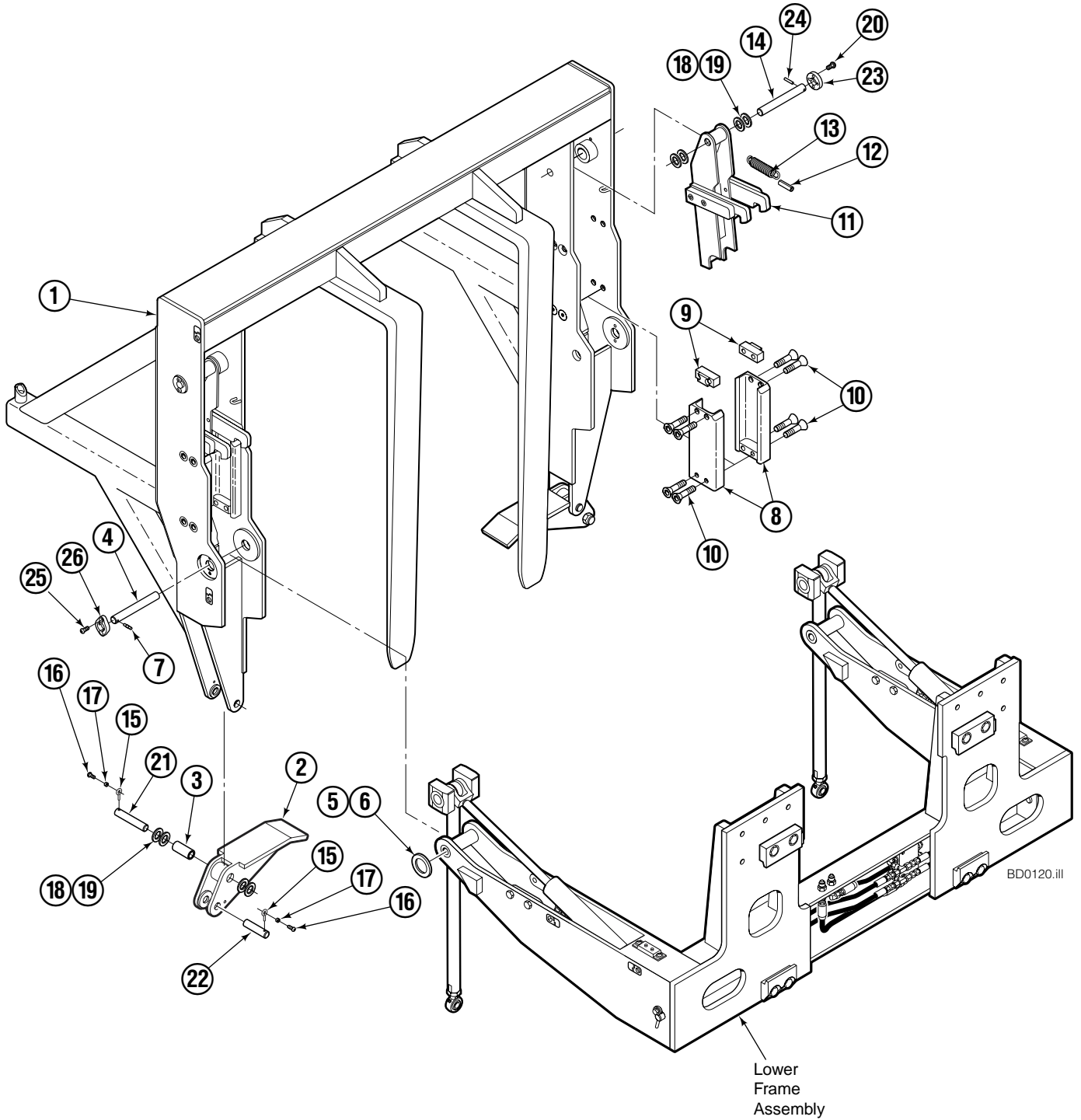
REF	QTY	PART NO.	DESCRIPTION
1	8	665595	No Hand Hold Decal
2	2	656038	Caution Decal
3	1	211274	Eagle – 80 mm

# Publications



PART NO.	DESCRIPTION
40D-BD-003	Parts Manual
219472	Service Manual
217562	Operators Guide
217666	Installation Instructions
680664	Servicing Cascade Cylinders-VHS
679929	Tool Catalog
673964	Literature Index Order Form

# Upper Frame Assembly



# Upper Frame Assembly

40D			
REF	QTY	Bin Width	DESCRIPTION
		46 in. PART NO.	
		6111290	Upper Frame Assembly
1	1	6111196	Upper Frame

## Common items.

REF	QTY	PART NO.	DESCRIPTION
2	2	6107661	Foot Assembly
3	2	204535	Bearing ▲
4	2	6014731	Pin
5	4	660200	Shim
6	4	6102548	Shim
7	2	673385	Drive Pin
8	4	220944	Housing
9	4	224484	Housing Cap
10	16	768712	Capscrew, M16x60-8.8
11	2	6014212	Latch Assembly
12	2	673385	Drive Pin
13	2	6015502	Spring
14	2	6003332	Pin ●
15	4	227962	Eye Pin
16	4	683142	Capscrew, M12 x 20
17	4	6009379	Spacer
18	16	676069	Shim
19	24	676070	Shim
20	4	689151	Capscrew, M8 x 20 ●
21	2	6003464	Pin
22	2	6003660	Pin
23	2	6003311	Pin Retainer ●
24	2	673459	Drive Pin ●
25	4	214414	Capscrew, M10 x 12
26	2	206589	Retainer

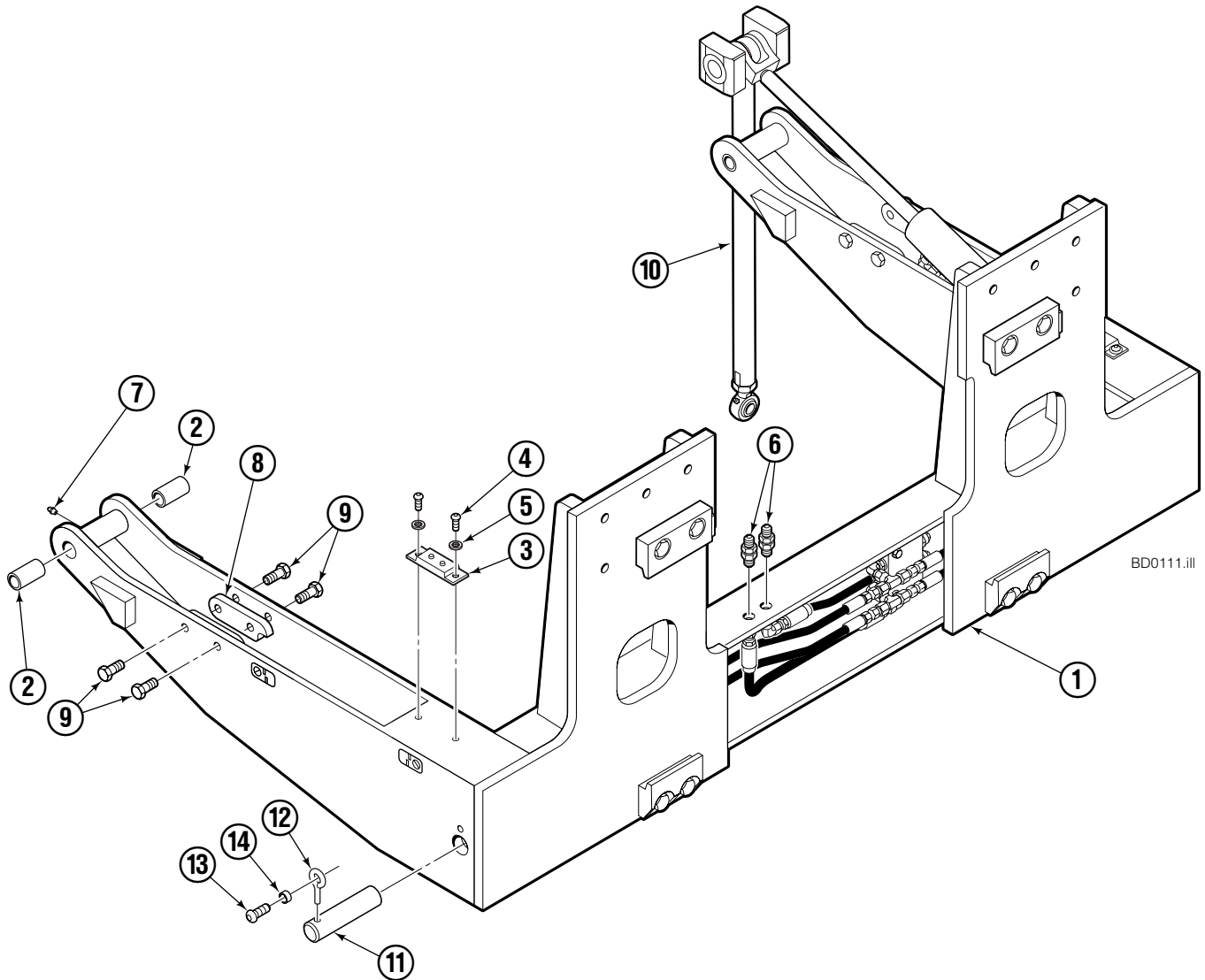
▲ Included in Foot Assembly 6107661.

● Included in Pivot Pin Assembly 6003334.

Reference: Upper Arm Assembly 6111197.

Reference: Common Parts Group 6007708, SK-6290.

# Lower Frame Assembly



BD0111.iii

40D			
REF	QTY	Bin Width	DESCRIPTION
		46 in. PART NO.	
		6109324	Lower Frame Assembly
1	1	21173-1168	Lower Frame

Reference: S-21173, S-10183.

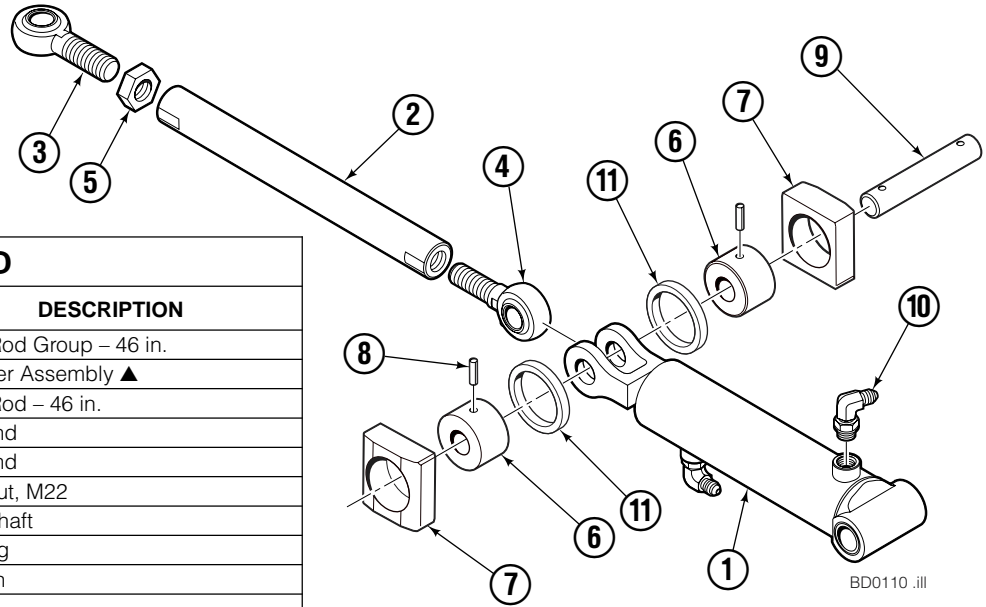
## Common items.

REF	QTY	PART NO.	DESCRIPTION	REF	QTY	PART NO.	DESCRIPTION
2	4	674843	Bushing	9	8	763101	Capscrew, M16 x 25
3	2	661785	Cushion	10	1	222437	Push Rod Group – 46 in. Bin Depth ▲
4	4	4869	Capscrew, 5/16 x .50 GR8	11	2	6003659	Pin
5	4	6287	Lockwasher, 5/16	12	2	227962	Eye Pin
6	2	2375	Fitting, 6-6	13	2	683142	Capscrew, M12 x 20
7	2	—	Grease Fitting	14	2	6009379	Spacer
8	4	219381	Latch Plate				

▲ See Push Rod Group page for parts breakdown.

Reference: Common Parts Group 6007707, SK-6293.

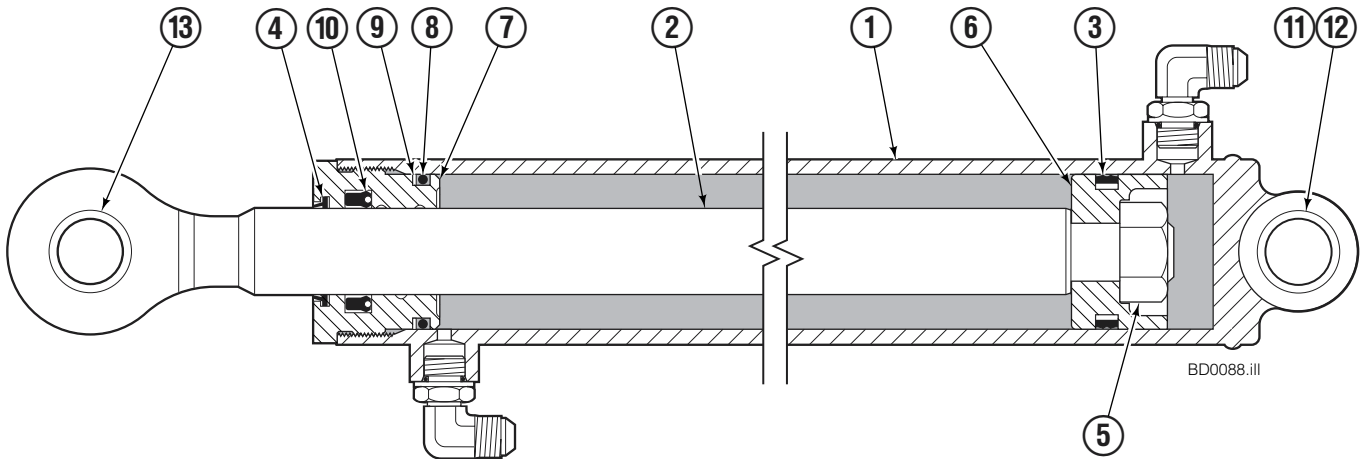
# Push Rod Group



40D			
REF	QTY	PART NO.	DESCRIPTION
		222437	Push Rod Group – 46 in.
1	2	3011636	Cylinder Assembly ▲
2	2	10638-680	Push Rod – 46 in.
3	2	3010449	Rod End
4	2	3010450	Rod End
5	2	3012691	Jam Nut, M22
6	4	220947	Stub Shaft
7	4	224409	Bearing
8	4	7917	Roll Pin
9	2	3010451	Pin
10	4	666984	Fitting, 6-6
11	4	6014196	Spacer

▲ See Cylinder Assembly for parts breakdown.  
Reference: Common Parts Group 224526, SK-6291, SK-6451.

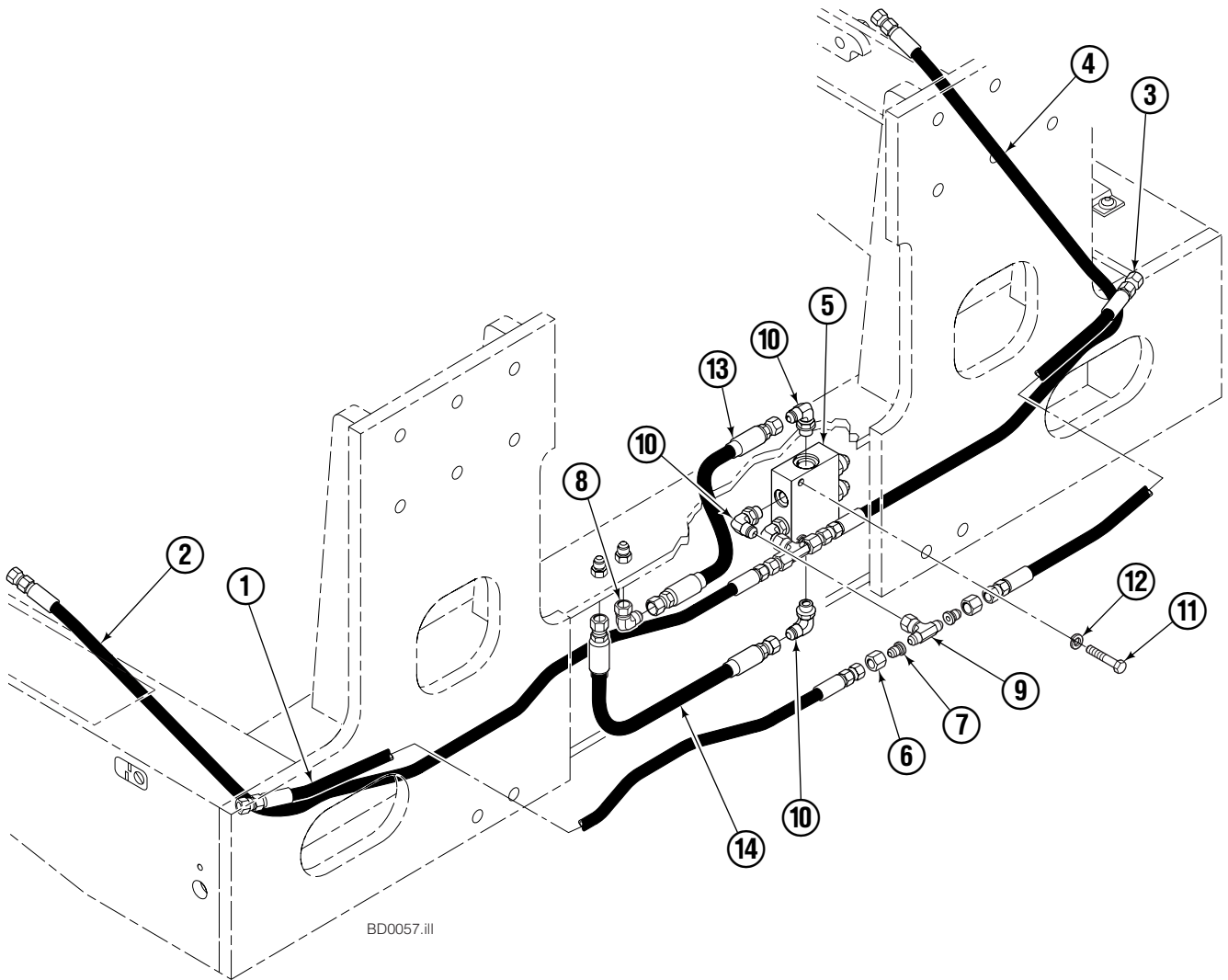
# Cylinder Assembly



40D							
REF	QTY	PART NO.	DESCRIPTION	REF	QTY	PART NO.	DESCRIPTION
		3011636	Cylinder Assembly	8	1	2785	O-Ring ▲
1	1	3011637	Shell	9	1	615128	Back-Up Ring ▲
2	1	3011638	Rod	10	1	662448	Seal ▲
3	1	564158	Seal ▲	11	2	559697	Bushing
4	1	636853	Wiper ▲	12	1	559698	Spacer
5	1	678019	Nut	13	2	683153	Bushing
6	1	564160	Piston			562338	Service Kit
7	1	559696	Retainer				

▲ Included in Service Kit 562338.  
Reference: S-8945, S-10494, S-10497.

# Hydraulic Group

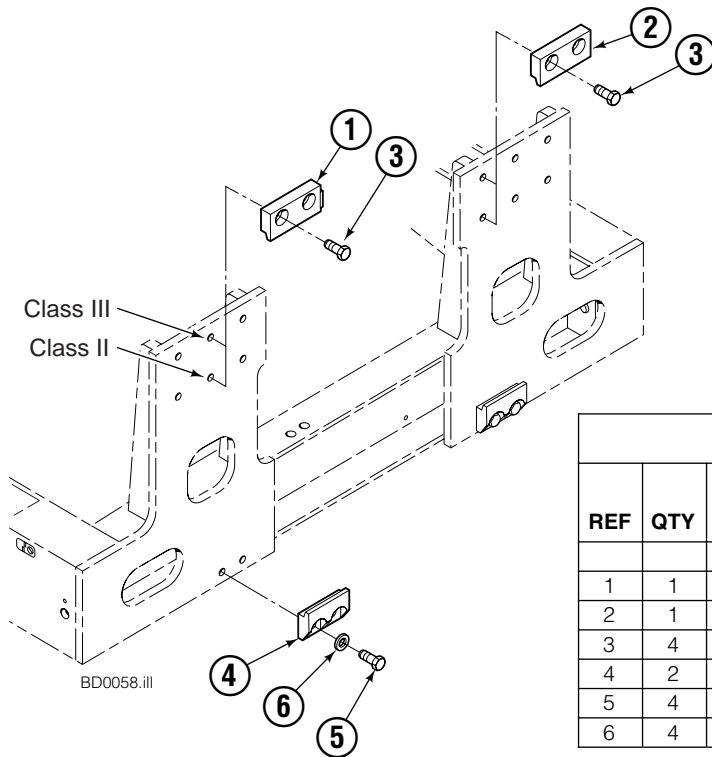


40D			
Bin Width			
REF	QTY	46 in. PART NO.	DESCRIPTION
		222372	Hose Group
1	1	222428	Hose, 32 in.
2	1	222429	Hose, 49 in.
3	1	397035	Hose, 20.12 in.
4	1	388419	Hose, 37 in.

REF	QTY	PART NO.	DESCRIPTION	REF	QTY	PART NO.	DESCRIPTION
		220159	Hydraulic Group	10	4	601676	Fitting, 6-6
5	1	220156	Valve Assembly	11	2	360785	Capscrew
6	4	2617	Fitting, 6	12	6	6287	Lockwasher
7	4	2669	Fitting, 6-4	13	1	361753	Hose, 12.6 in.
8	1	2680	Fitting, 6-6	14	1	359124	Hose, 19.25 in.
9	2	610892	Fitting, 6-6				

Reference: SK-6370.

# Bolt-On Mounting



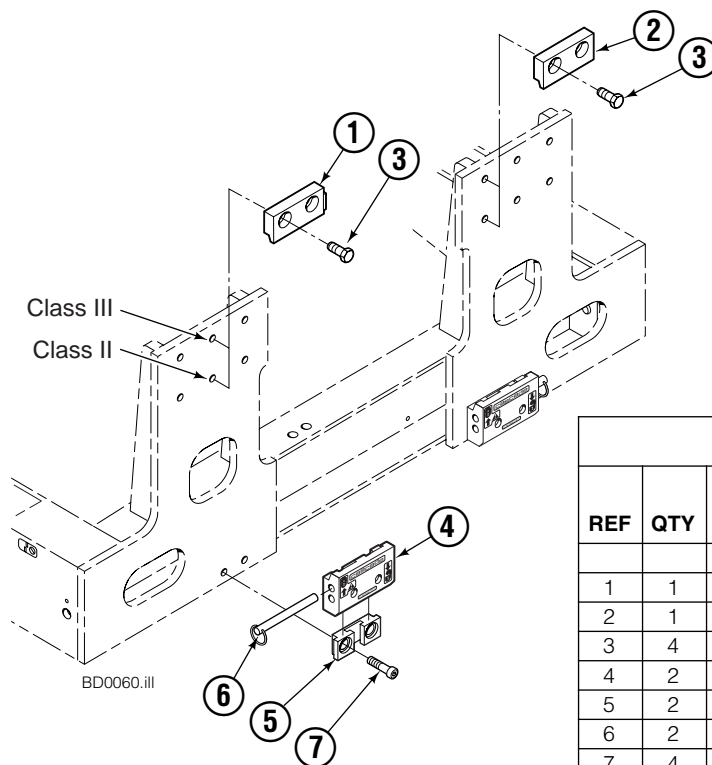
40D				
REF	QTY	ITA II PART NO.	ITA III PART NO.	DESCRIPTION
		<b>220511</b>	220513	Mounting Group
1	1	220987	220988	Upper Hook – LH
2	1	220985	220986	Upper Hook – RH
3	4	752903	752903	Capscrew, M16x45-8.8
4	2	▲ 675968	■ 675969	Lower Hook
5	4	▲ 779009	■ 779009	Capscrew, M16x30-8.8
6	4	▲ 667225	■ 667225	Washer, 5/8

▲ Included in Lower Hook Group 391334.

■ Included in Lower Hook Group 391335.

Reference: SK-6399.

# Quick-Disconnect Mounting



40D				
REF	QTY	ITA II PART NO.	ITA III PART NO.	DESCRIPTION
		220512	220814	Mounting Group
1	1	220987	220988	Upper Hook – LH
2	1	220985	220986	Upper Hook – RH
3	4	752903	752903	Capscrew, M16x45-8.8
4	2	675514	675957	Lower Hook
5	2	675515	675958	Guide
6	2	678832	678832	Pin
7	4	211180	779016	Capscrew, M16x30

▲ Included in Lower Hook Group 221740.

■ Included in Lower Hook Group 221741.

Reference: SK-6399.

**Do you have questions you need answered right now?** Call your nearest Cascade Parts Department. Visit us online at [www.cascorp.com](http://www.cascorp.com)

**Cascade Corporation**  
2501 Sheridan Avenue  
Springfield, OH 45505  
Tel: 888-CASCADE (227-2233)  
FAX: 888-329-0234

**Cascade Canada Inc.**  
5570 Timberlea Blvd.  
Mississauga, Ontario  
Canada L4W-4M6  
Tel: 905-629-7777  
FAX: 905-629-7785

**Cascade GmbH**  
D-41199 Monchengladbach  
Klosterhofweg 52  
Germany  
Tel: 49-216-668230  
FAX: 49-216-6682323

**Cascade Finland**  
Albert Petreliuksenkatu 3  
01370 Vantaa  
Finland  
Tel: 358-9-836-1925  
FAX: 358-9-836-1935

**Cascade N.V.  
European Headquarters**  
P.O. Box 3009  
1300 El Almere  
Damsluisweg 56  
1332 ED Almere  
The Netherlands  
Tel: 31-36-5492911  
FAX: 31-36-5492964

**Cascade N.V.  
Benelux Sales and Service**  
P.O. Box 3009  
1300 El Almere  
Damsluisweg 56  
1332 ED Almere  
The Netherlands  
Tel: 31-36-5492950  
FAX: 31-36-5492974

**Cascade (UK) Ltd.**  
15, Orgreave Crescent  
Dore House Industrial Estate  
Handsworth  
Sheffield S13 9NQ  
England  
Tel: 742-697524  
FAX: 742-695121

**Cascade Scandinavia AB**  
Box 124  
Hammarvägen 10  
567 23 Vaggeryd  
Sweden  
Tel: 42-0-393-36950  
FAX: 46-0-393-36959

**Cascade Norway**  
Østerliveien 37A  
1153 Oslo  
Norway  
Tel: 47-22-743160  
FAX: 47-22-743157

**Cascade France S.A.R.L.**  
1D Rue De Charaintru  
BP 18, 91360 Epinay-Sur-Orge  
Morangis Cedex, France  
Tel: 33-1- 64547500  
FAX: 33-1-64547501

**Cascade Hispania S.A.**  
Carrer 5 Sector C  
Zona Franca Duanera  
Poligono de la Zon Franca  
08040 Barcelona, Spain  
Office No. 256  
Tel: 93-264-07-30  
FAX: 93-264-07-31

**Cascade Japan Ltd.**  
5-5-41,  
Torikai Kami  
Settsu, Osaka  
Japan, 566  
Tel: 81-726-53-3490  
FAX: 81-726-53-3497

**Cascade Korea**  
108B, Namdong Ind Complex  
658-3 Gojan-Dong  
Namdong-Gu  
Inchon, 405-310 Korea  
Tel: 82-32-821-2051  
FAX: 82-32-821-2055

**Cascade Australia**  
1445 Ipswich Road  
Rocklea, QLD 4106  
Australia  
Tel: 1-800227-223  
FAX: (07) 3373-7333

**Cascade New Zealand**  
15 Ra Ora Drive  
East Tamaki, Auckland  
New Zealand  
Tel: 9-273-9136  
FAX: 9-273-9137

**Cascade (Africa) Pty. Ltd.**  
P.O. Box 625, Isando 1600  
60A Steel Road  
Sparton, Kempton Park  
South Africa  
Tel: 27-11-975-9240  
FAX: 27-11-394-1147

**Cascade-Xiamen**  
No. 668 Yangguang Rd.  
Xinyang Industrial Zone  
Haicang, Xiamen City  
Fujian Province  
P.R. China 361026  
Tel: 86-592-651-2500  
FAX: 86-592-651-2571

**Cascade (Singapore)  
Trading Co.**  
Four Seasons Park  
Autumn Block - Apt. 1802  
12 Cuscaden Walk  
Singapore  
Tel: 65-834-1935  
FAX: 65-834-1936

