



# Parts Manual

---

Model Visionary Multi Load Handler

Serial Number 55E-FD-338

---

**cascade**®

For Technical Assistance call: 800-227-2233, Fax: 888-329-8207

To Order Parts call: 888-227-2233, Fax: 888-329-0234

OR

Write: Cascade Corporation, P.O. Box 20187, Portland, OR 97220

# Decals



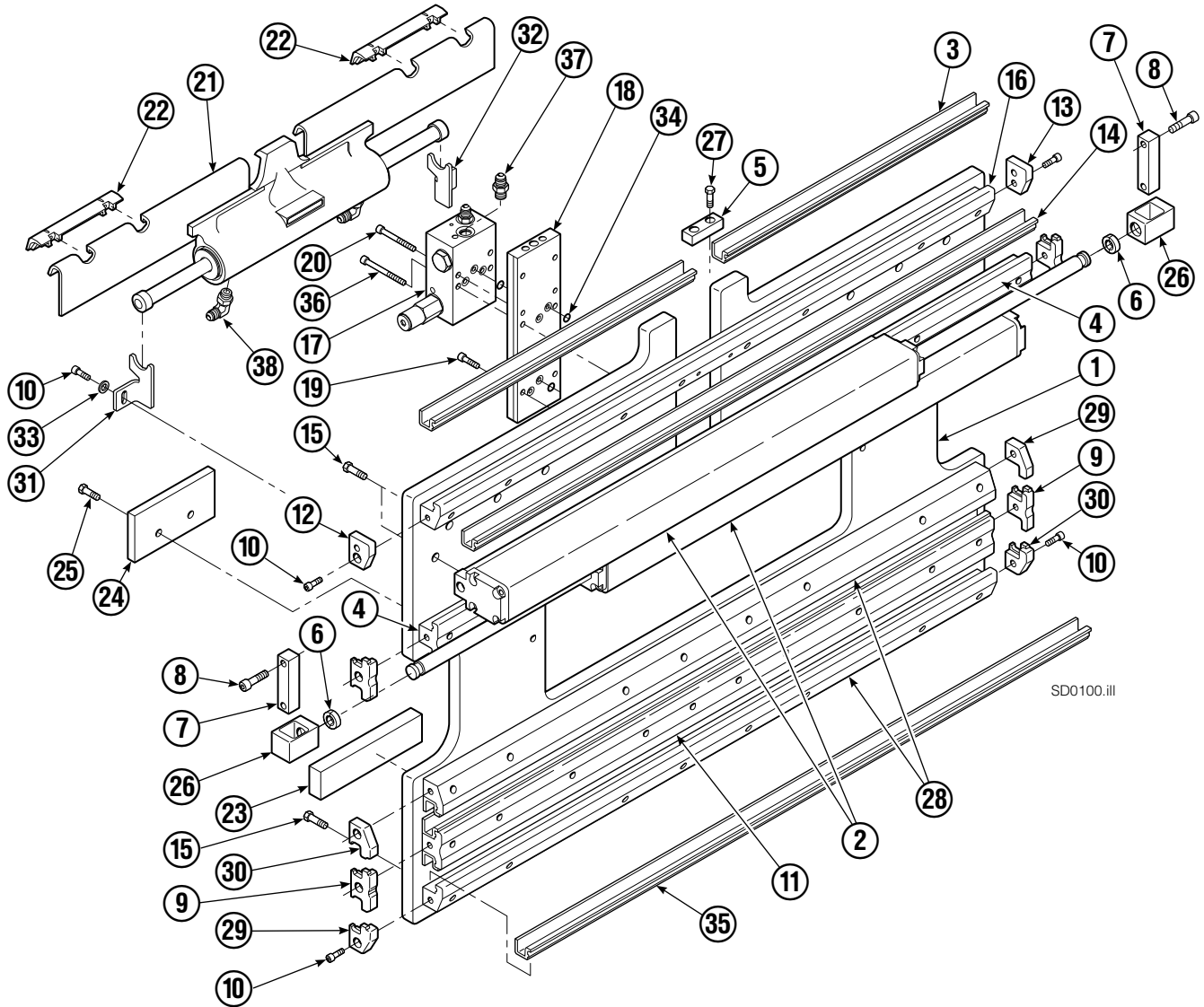
55E			
REF	QTY	PART NO.	DESCRIPTION
1	6	665595	No Hand Hold Decal
2	4	679150	No Step Decal

# Publications



55E	
PART NO.	DESCRIPTION
	Parts Manual
213580	Operator's Guide
213372	Installation Instructions
679929	Tool Catalog
673964	Literature Index Order Form

# Base Unit Group – ITA Class II



# Base Unit Group – ITA Class II

55E							
REF	QTY	PART NO.	DESCRIPTION	REF	QTY	PART NO.	DESCRIPTION
		214640	Base Unit Group – Class II	20	2	768800	Capscrew, M8 x 60
1	1	212422	Baseplate Class – II	21	1	205842	Sideshift Cylinder ●
2	2	214620	Frame Cylinder ★	22	2	204187	Upper Bearing
3	2	4730-0490	Bearing Segment	23	2	208350	Lower Bearing
4	2	214628	T-Bar – Upper	24	2	212709	Spacer Block
5	1	212722	Fork Stop	25	4	767615	Capscrew, M10 x 25
6	2	210490	Retainer Half Ring ■	26	2	209741	Rod End ■
7	2	210489	Rod End Anchor ■	27	2	684649	Capscrew, M10 x 25
8	4	768303	Capscrew, M10 x 35 ■	28	2	214633	T-Bar – Lower
9	4	210140	Bearing Retainer	29	2	212585	Bearing Retainer
10	12	787375	Capscrew, M8 x 20 GR 8.8	30	2	212586	Bearing Retainer
11	1	214631	T-Bar – Lower	31	1	213737	Bracket – RH
12	1	211380	Retainer/Stop – RH	32	1	213736	Bracket – LH
13	1	211379	Retainer/Stop – LH	33	2	787398	Washer, M8
14	4	4318-1050	Bearing Segment	34	7	214053	O-Ring
15	50	211689	Capscrew, M12 x 30 GR 10.9	35	4	4730-1040	Bearing Segment
16	1	214635	T-Bar – Upper	36	2	768802	Capscrew, M8 x 70
17	1	212567	Valve Assembly ▲	37	2	604511	Fitting, 6-6
18	1	211455	Manifold	38	2	601676	Fitting, 6-6
19	6	768208	Capscrew, M8 x 25				

★ See Frame Cylinder page for parts breakdown.

▲ See Valve Assembly – Class II page for parts breakdown.

■ Included in Cylinder Rod Anchor Kit 213856.

● See Sideshift Cylinder page for parts breakdown.

Reference: SK-6116.

# Cylinder

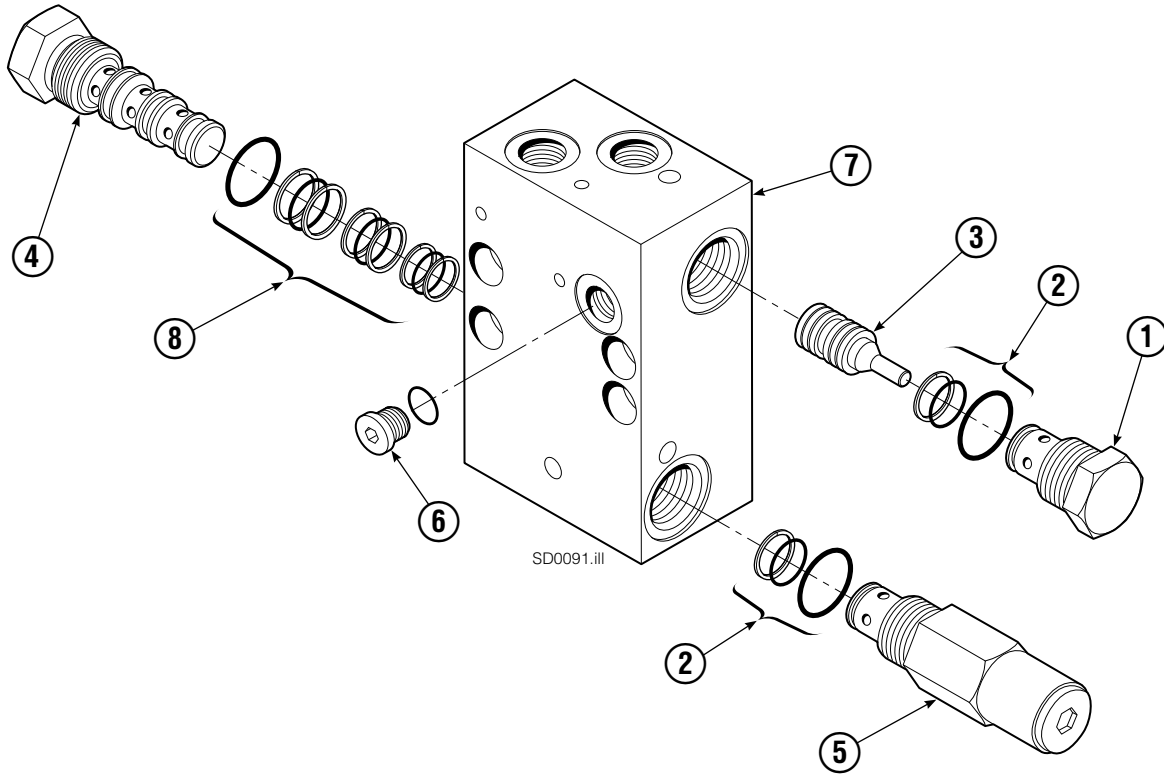


REF	QTY	PART NO.	DESCRIPTION	REF	QTY	PART NO.	DESCRIPTION
		214620	Cylinder Assembly	8	2	210053	O-Ring ▲
1	1	214621	Cylinder/Shell	9	2	210050	Back-Up Ring ▲
2	1	4157-805	Rod	10	1	212477	Seal ▲
3	1	213783	Cap	11	1	209808	Seal ▲
4	8	768208	Capscrew, M8 x 25	12	2	214053	O-Ring ▲
5	1	209809	Bearing ▲	13	1	562131	Wiper ▲
6	1	787375	Capscrew, M8 x 20			210090	Service Kit
7	1	212452	Retainer				

▲ Included in Service Kit 210090.

Reference: S-4644, S-4643.

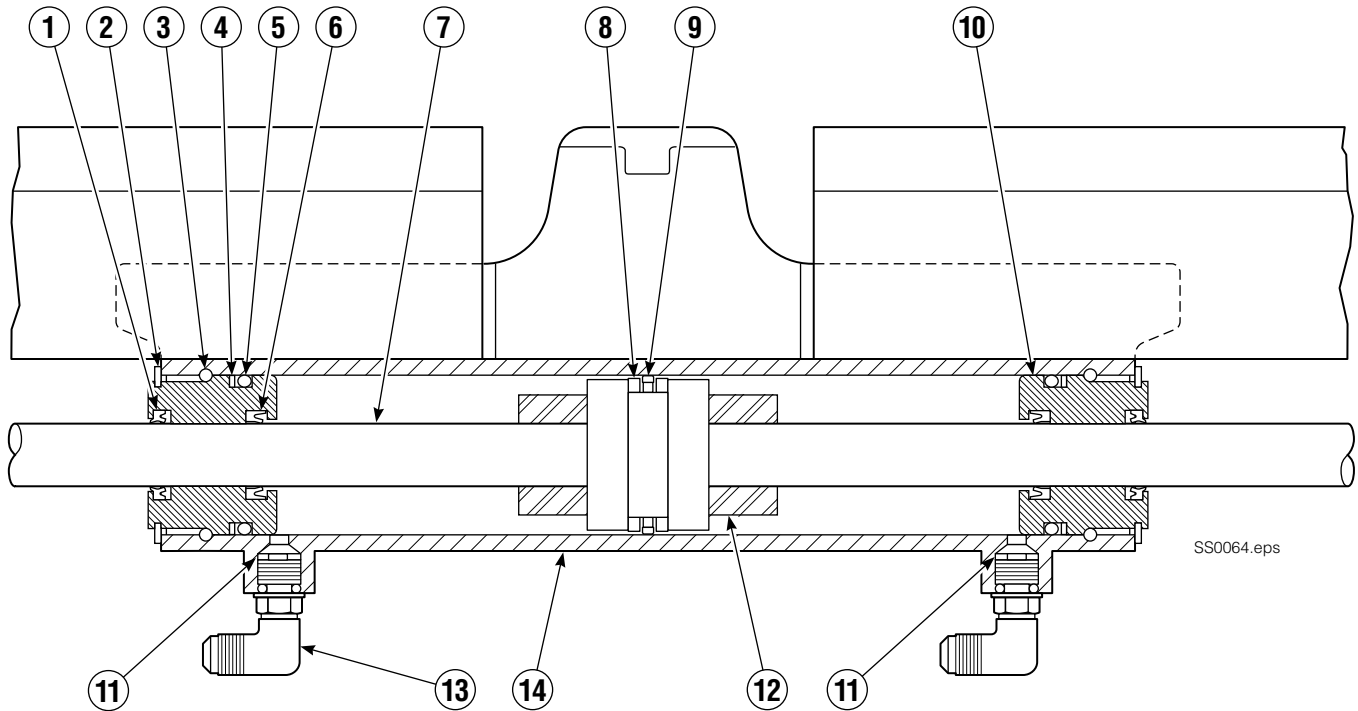
# Valve ITA Class II



55E			
REF	QTY	PART NO.	DESCRIPTION
		212567	Valve Assembly
1	1	209847	Check Valve
2	2	682170	Service Kit ▲
3	1	210265	Piston
4	1	210266	Flow Divider/Combiner
5	1	213535	Crossover Relief Valve
6	1	609234	Fitting, 4
7	1	211453	Valve Body
8	1	679992	Service Kit ▲
		213604	Valve Service Kit

▲ Included in Valve Service Kit 213604.

# Sideshift Cylinder ITA Class II

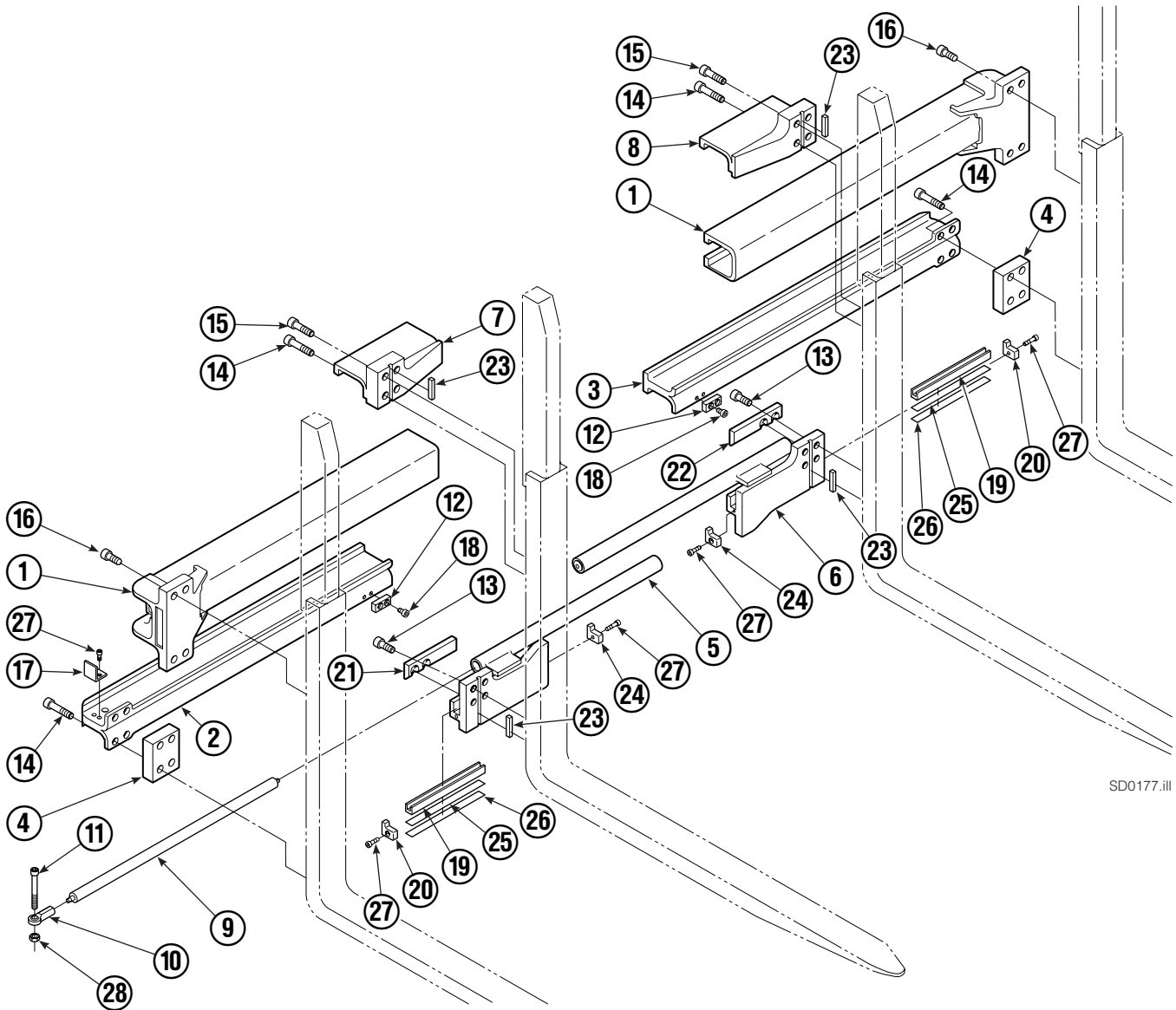


SS0064.eps

55E			
REF	QTY	PART NO.	DESCRIPTION
		205842	Cylinder Assembly
● 1	2	562131	Wiper Seal
2	2	562951	Snap Ring
3	2	562942	Retaining Ring
● 4	2	563388	Back-Up Ring
● 5	2	562127	O-Ring
● 6	2	562132	Rod Seal
7	1	562055	Rod
● 8	2	563278	Bearing Ring
● 9	1	564141	Piston Seal
10	2	562792	Retainer
11	2	205369	Speed Control Washer
12	2	-	Spacer
13	2	601676	Fitting, JIC 6-6
13	2	666984	Fitting, JIC 6-4
14	-	■	Cylinder Shell
		563487	Service Kit

- Included in Service Kit 563487.
- Not serviceable, order new cylinder assembly.

# Arm Group

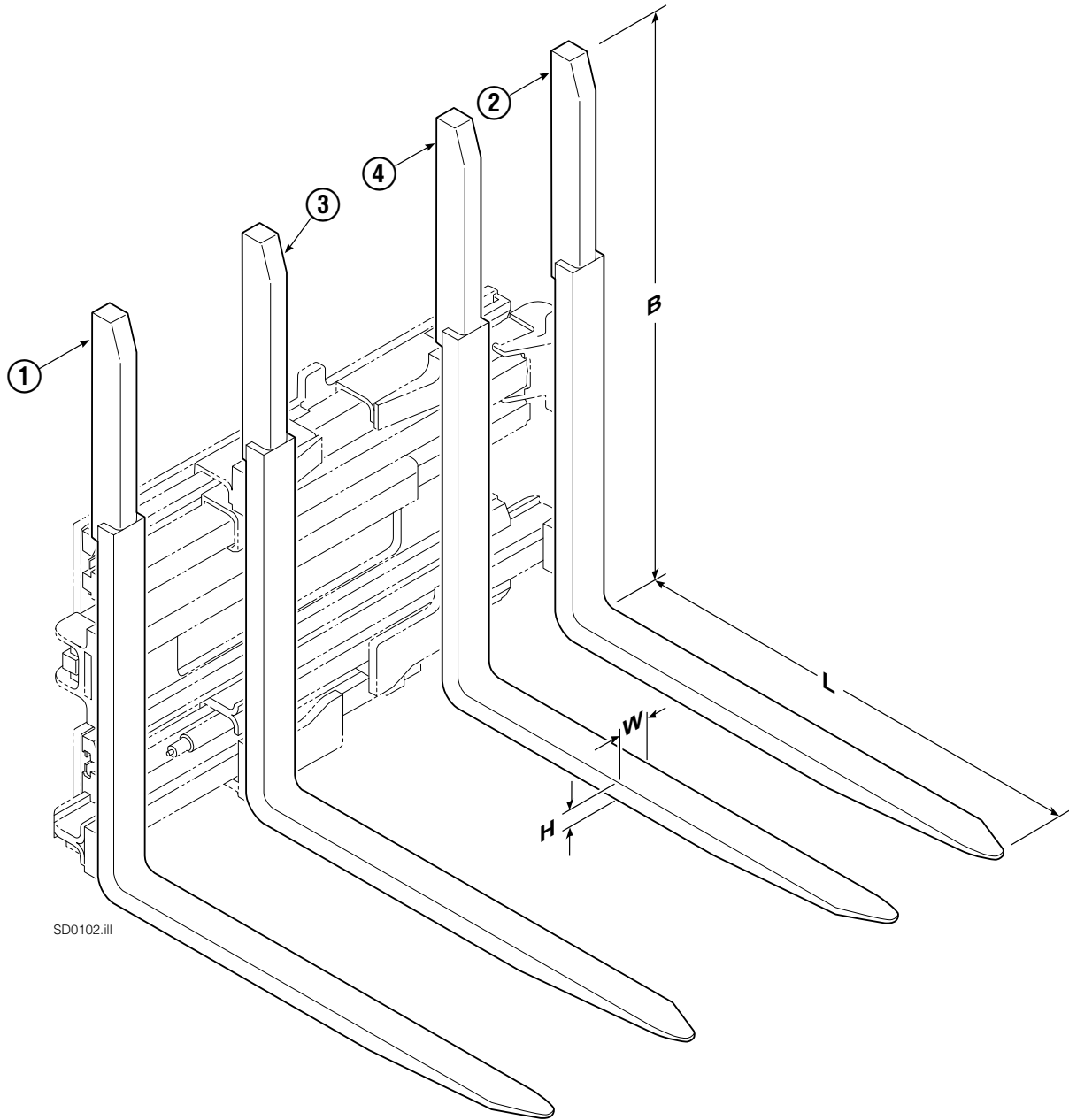


SD0177.iii

55E							
REF	QTY	PART NO.	DESCRIPTION	REF	QTY	PART NO.	DESCRIPTION
		218373	Arm Group	15	4	769577	Capscrew, M16 x 50
1	2	4316-0799	Upper Arm Bar	16	8	769573	Capscrew, M16 x 30
2	1	216726	Lower Arm Bar – RH	17	2	213022	Guard
3	1	216725	Lower Arm Bar – LH	18	4	213023	Capscrew, M10 x 16
4	2	210587	Spacer	19	2	4501-0222	Bearing Segment
5	1	217341	Lower Hook – RH	20	2	212979	Bearing Retainer
6	1	217388	Lower Hook – LH	21	1	212682	Bearing – RH
7	1	211384	Upper Hook – RH	22	1	213899	Bearing – LH
8	1	211383	Upper Hook – LH	23	4	213364	Key
9	2	212683	Gas Spring	24	2	213360	Bearing Retainer
10	2	216462	Rod End Joint	25	4	212559	Shim, .04 in. (1 mm)
11	2	216463	Capscrew, M10x60	26	4	213913	Shim, .02 in. (.5 mm)
12	2	212687	Lower Fork Stop	27	8	787375	Capscrew, M8 x 20
13	8	769574	Capscrew, M16 x 35	28	2	209152	Nut, M10
14	12	769578	Capscrew, M16 x 60				

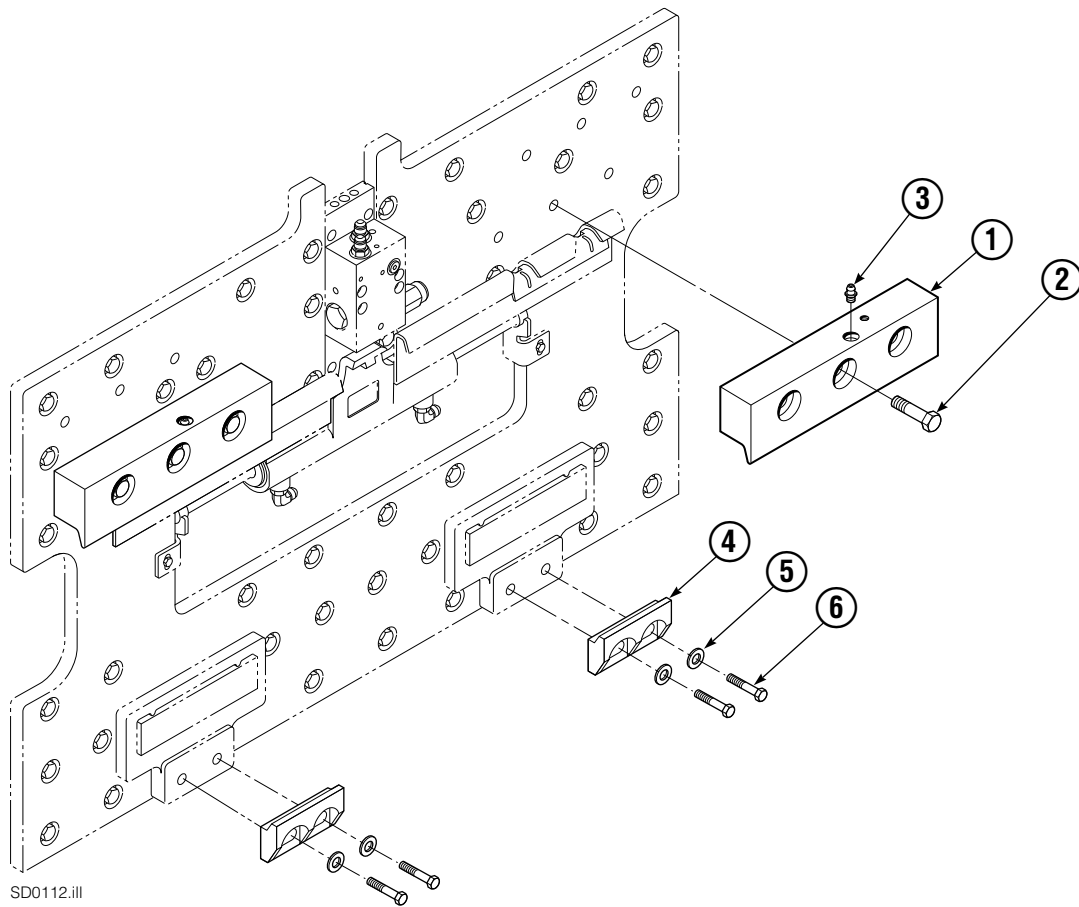
Reference: SK-6286

# Tube Backrest/Fork Group



55E								
SIZE (IN.)				FORK GROUP PART NO.	REF 1	REF 2	REF 3	REF 4
B	W	H	L		Outer Fork-RH	Outer Fork-LH	Inner Fork-RH	Inner Fork-LH
60	3.2	1.8	52.1	212609	212769	212768	212809	212808

# Mounting Group ITA Class II



55E			
REF	QTY	ITA II	DESCRIPTION
		PART NO.	
		212569	Upper Hook Group ▲
		391334	Lower Hook Group ★
1	2	210591	Upper Hook
2	6	751511	Capscrew, M16x55
3	2	7403	Grease Fitting
4	2	675968	Lower Hook
5	4	667225	Washer
6	4	779009	Capscrew

▲ Includes items 1, & 2.

★ Includes items 4, 5, & 6.

Reference: SK-6116.

**Do you have questions you need answered right now?** Call your nearest Cascade Parts Department.

**Cascade Corporation**  
2201 NE 201st  
Fairview, OR 97024-9718  
Tel: 1-800-CAS-CADE  
503-669-6300  
FAX: 503-669-6338

**Cascade Canada Inc.**  
5570 Timberlea Blvd.  
Mississauga, Ontario  
Canada L4W-4M6  
Tel: 905-629-7777  
FAX: 905-629-7785

**Cascade GmbH**  
D-41 199 Monchengladbach  
Klosterhofweg 52  
Germany  
Tel: 21-66-602091  
FAX: 21-66-680947

**Cascade Finland**  
01370 Vantas  
Finland  
Tel: 358-0-836-1925  
FAX: 358-0-836-1935

**Cascade N.V.  
European Headquarters**  
P.O. Box 3009  
1300 El Almere  
Damsluisweg 56  
1332 ED Almere  
The Netherlands  
Tel: 31-36-5492911  
FAX: 31-36-5492964

**Cascade N.V.  
Benelux Sales and Service**  
P.O. Box 3009  
1300 El Almere  
Damsluisweg 56  
1332 ED Almere  
The Netherlands  
Tel: 31-36-5492950  
FAX: 31-36-5492974

**Cascade (UK) Ltd.**  
15, Orgreave Crescent  
Dore House Industrial Estate  
Handsworth  
Sheffield S13 9NQ  
England  
Tel: 742-697524  
FAX: 742-695121

**Cascade Scandinavia  
Hydraulik A.B.**  
Muskötgatan 19, E8-9  
S25466 Helsingborg  
Sweden  
Tel: 42-151135  
FAX: 42-152997

**Cascade Norway**  
Østerliveien 37A  
1153 Oslo  
Norway  
Tel: 47-22-743160  
FAX: 47-22-743157

**Cascade France S.A.R.L.**  
11, Rue Jean Charcot  
Zone Industrielle Sud or  
B.P. 22  
91421 Morangis Cedex  
France  
Tel: 1- 64547501  
FAX: 1-9790584

**Cascade Hispania S.A.**  
Avenida De La Fabregada, 7  
Hospitalet De Llobregat  
Barcelona  
Spain  
Tel: 3-335-5158  
FAX: 3-335-4756

**Cascade Japan Ltd.**  
5-5-41,  
Torikai Kami  
Settsu, Osaka  
Japan, 566  
Tel: 81-726-53-3490  
FAX: 81-726-53-3497

**Cascade Korea**  
Room 508, Pum Yang Bldg.  
750-14, Bang Bac-Dong  
Se-Cho Ku, Seoul  
Korea  
Tel: 2599-7131 ext. 512  
FAX: 2533-8089

**HYCO-Cascade Pty. Ltd.**  
87 Antimony Street  
Carole Park,  
Brisbane 4300  
Australia  
Tel: 7-271-1966  
FAX: 7-271-3830

**HYCO-Cascade (NZ) Ltd.**  
15 Ra Ora Drive, East Tamaki  
P.O. Box 38-440  
Howick, Auckland  
New Zealand  
Tel: 9-273-9136  
FAX: 9-273-9137

**Cascade (Africa) Pty. Ltd.**  
P.O. Box 625, Isando 1600  
60A Steel Road  
Sparton, Kempton Park  
South Africa  
Tel: 975-9240  
FAX: 394-1147

**Cascade-Xiamen**  
Wanshan No. 1 Workshop  
Huli Road  
Xiamen 361006  
Fujian, PRC  
Tel: 592-562-4600  
FAX: 592-562-4671

**Cascade (Singapore)  
Trading Co.**  
Four Seasons Park  
Autumn Block - Apt. 1802  
12 Cascaden Walk  
Singapore  
Tel: 65-834-1935  
FAX: 65-834-1936

