



Parts Manual

Model Single-Double Pallet Handler

Serial Number 50D-ES-220

cascade[®]
corporation

For Technical Assistance call: 800-227-2233, Fax: 888-329-8207

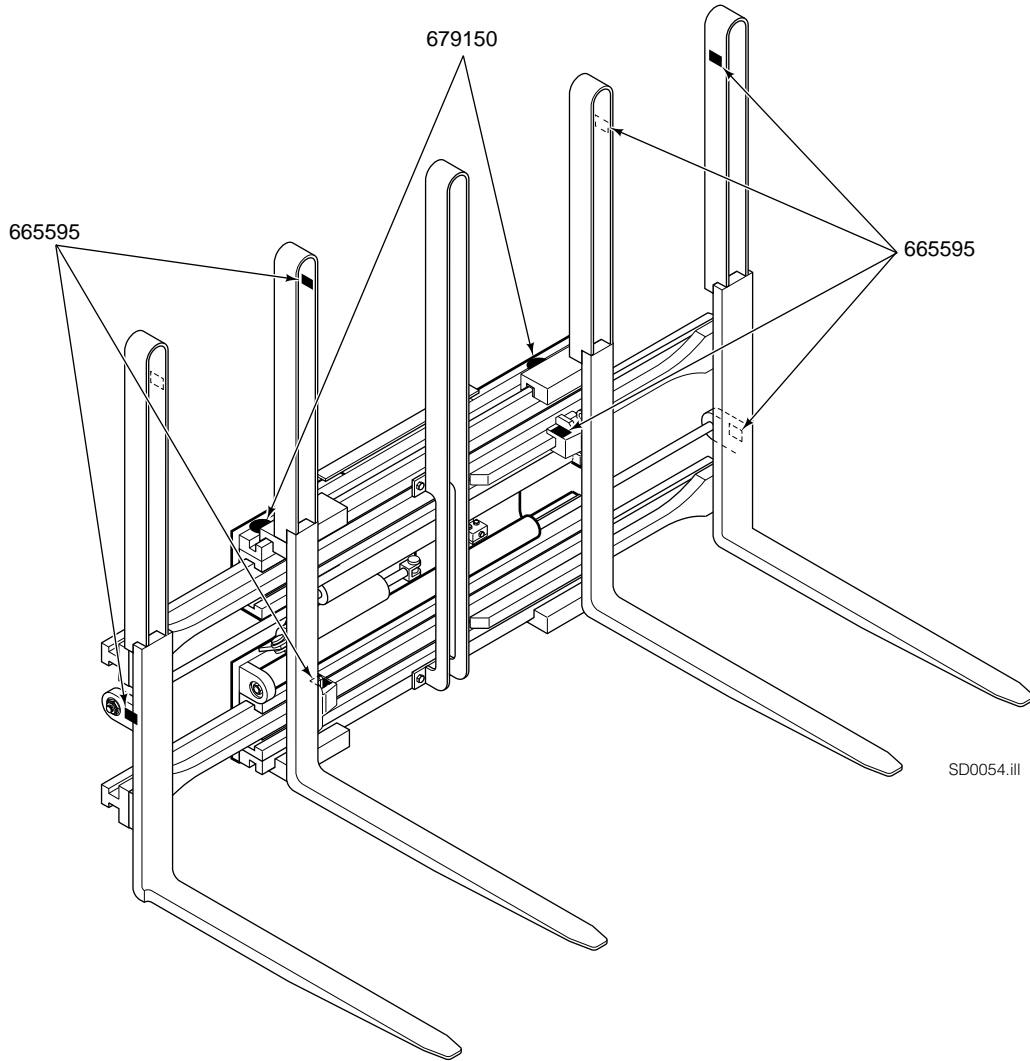
To Order Parts call: 888-227-2233, Fax: 888-329-0234

OR

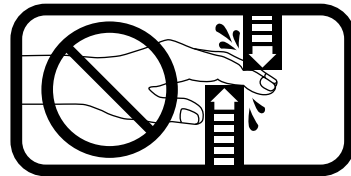
Write: Cascade Corporation, P.O. Box 20187, Portland, OR 97220

Internet: www.cascorp.com

Safety Decals

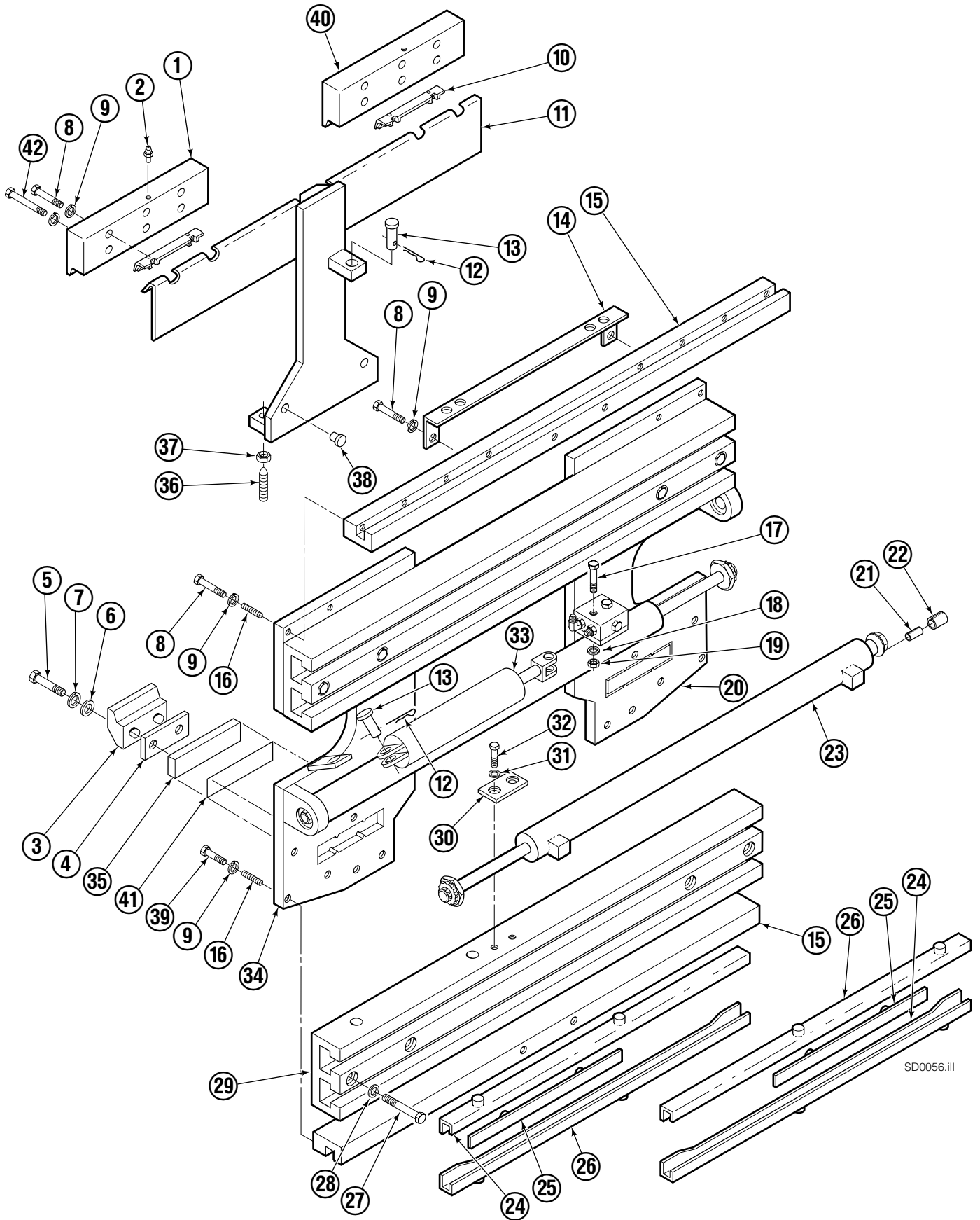


Part No. 679150
(1 Place & 1 Optional)



Part No. 665595
(2 Place & 2 Optional)

Base Unit and Mounting ITA Class III



SD0056.ill

Base Unit and Mounting ITA Class III

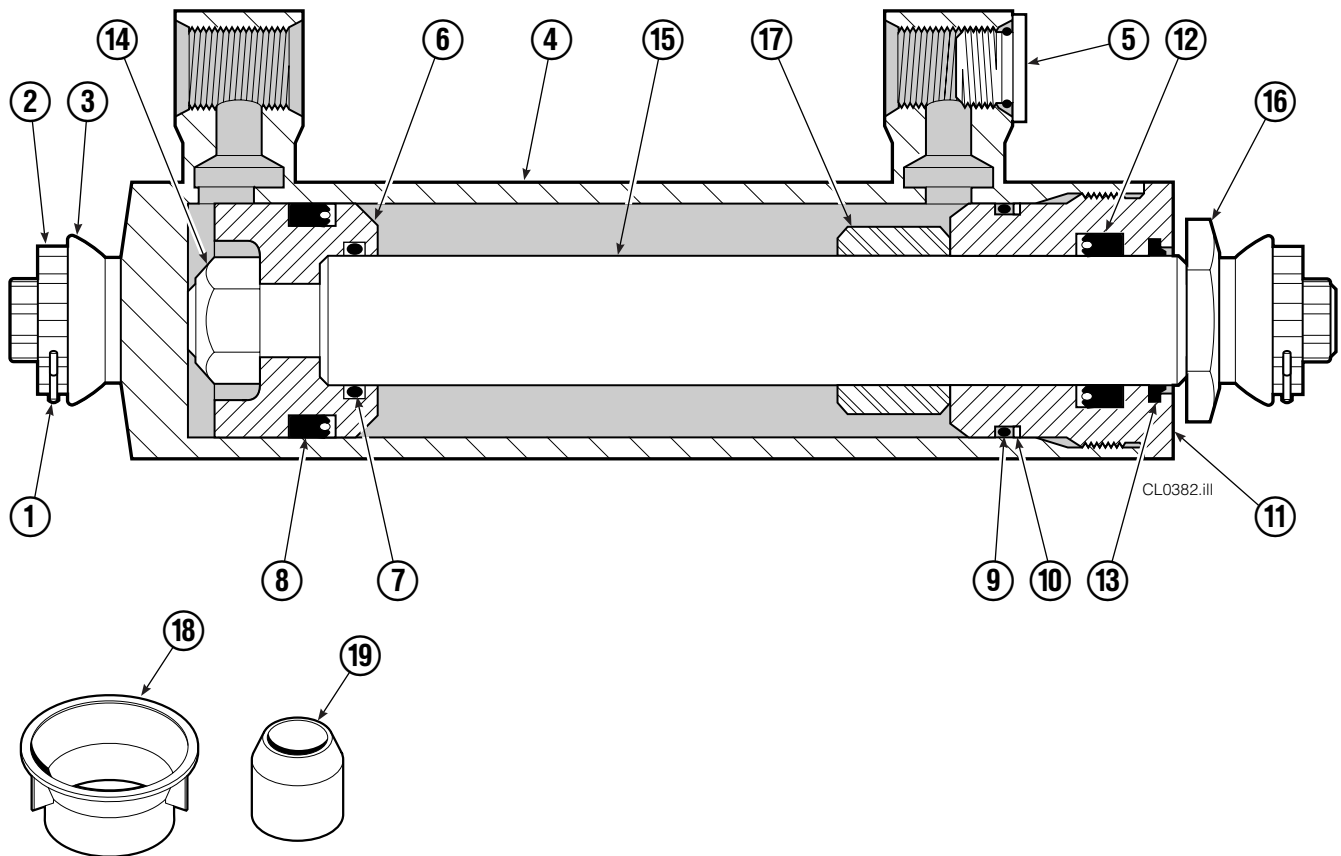
50D							
REF	QTY	PART NO.	DESCRIPTION	REF	QTY	PART NO.	DESCRIPTION
		378514	Base Unit Group	21	2	7962	Roll Pin
		204276	Mounting Group	22	2	7861	Roll Pin
1	1	204265	Upper Hook – RH	23	2	204200	Cylinder ◆
2	4	7403	Grease Fitting	24	4	208857	Bearing
3	2	675969	Lower Hook	25	4	208858	Bearing
4	2	204273	Spacer	26	4	667663	Bearing
5	4	667808	Capscrew, .625 x 2.00	27	8	667909	Capscrew, .50 x 3.00
6	4	667225	Washer	28	8	667910	Washer
7	4	6292	Lockwasher	29	2	378177	Frame
8	20	643539	Capscrew, .50 x 1.75	30	2	211267	Stop
9	30	6290	Lockwasher, .50	31	4	6288	Lockwasher, .375
10	2	672018	Bearing	32	4	629516	Capscrew, .375 x 1.00
11	1	204266	Anchor	33	1	675548	Sideshift Cylinder ●
12	2	672726	Cotter Pin	34	1	378175	Mounting Plate – RH
13	2	678525	Clevis Pin	35	2	204212	Lower Bearing
14	1	205227	Bracket	36	2	5027	Setscrew
15	2	205222	Channel	37	2	5932	Nut
16	4	205324	Spring Pin	38	2	200761	Thrust Plug
17	2	3559	Capscrew, .25 x 2.00	39	6	643538	Capscrew, .50 x 1.50
18	2	6201	Washer, .25	40	1	204267	Upper Hook – LH
19	2	6097	Nut	41	2	204274	Strip
20	1	378176	Mounting Plate – LH	42	4	643542	Capscrew, .50 x 2.75

◆ See Cylinder page for parts breakdown.

Reference: Common Parts 378515.

● See Sideshift Cylinder page for parts breakdown.

Clamp Cylinder



REF	QTY	PART NO.	DESCRIPTION
		204200	Cylinder Assembly
1	2	6510	Cotter Pin ■
2	2	667624	Nut Retainer ■
3	2	667625	Nut ■
4	1	559662	Shell
5	1	602580	Fitting
6	1	559702	Piston
7	1	2716	O-Ring ▲
8	1	557598	Seal ▲
9	1	2722	O-Ring ▲
10	1	615126	Back-Up Ring ▲
11	1	413799	Retainer
12	1	662448	Seal ▲
13	1	636853	Wiper ▲
14	1	667623	Nut
15	1	416991	Rod
16	1	667626	Washer
17	1	—	Spacer
18	1	671047	Seal Loader, Piston ▲
19	1	671051	Seal Loader, Retainer ▲
		560729	Service Kit

▲ Included in Service Kit 560729.

■ Included in Nut Service Kit 668926.

Reference: ST-0283, ST-0284.

Sideshift Cylinder

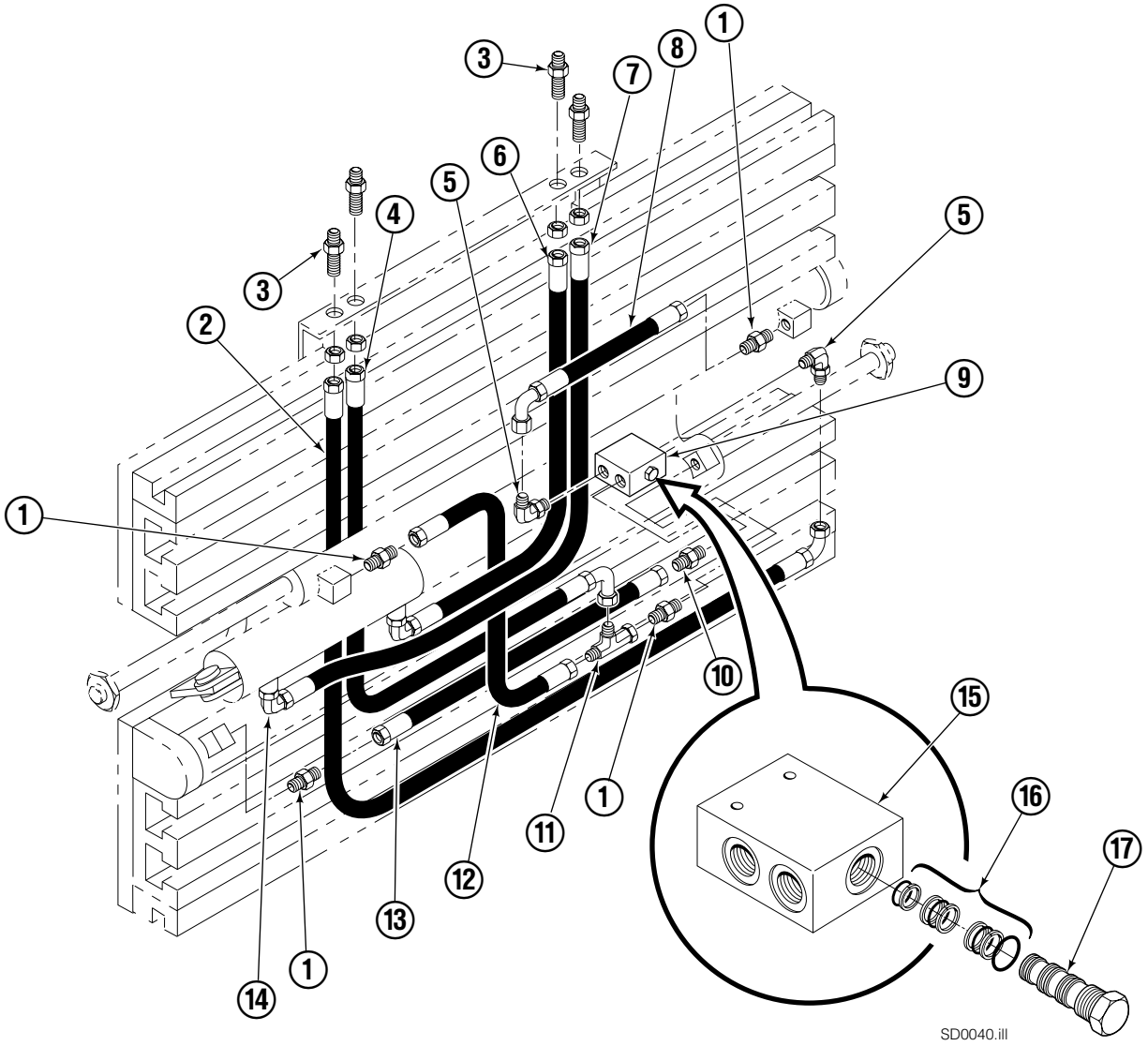


FP0079.ill

REF	QTY	PART NO.	DESCRIPTION
		675548	Cylinder Assembly
1	1	553857	Nut
■ 2	1	662452	Seal
3	1	553501	Piston
■ 4	1	636851	Wiper
■ 5	1	638247	Back-up Ring
6	1	675550	Washer (orifice .085)
7	1	675549	Shell
8	1	553449	Rod
■ 9	1	2785	O-Ring
■ 10	1	615128	Back-up Ring
11	1	553500	Retainer
12	1	553856	Retaining Ring
13	1	7202	Snap Ring
■ 14	1	641835	Seal
15	1	---	Spacer
		553861	Service Kit

■ Included in Service Kit 553861.

Hydraulics



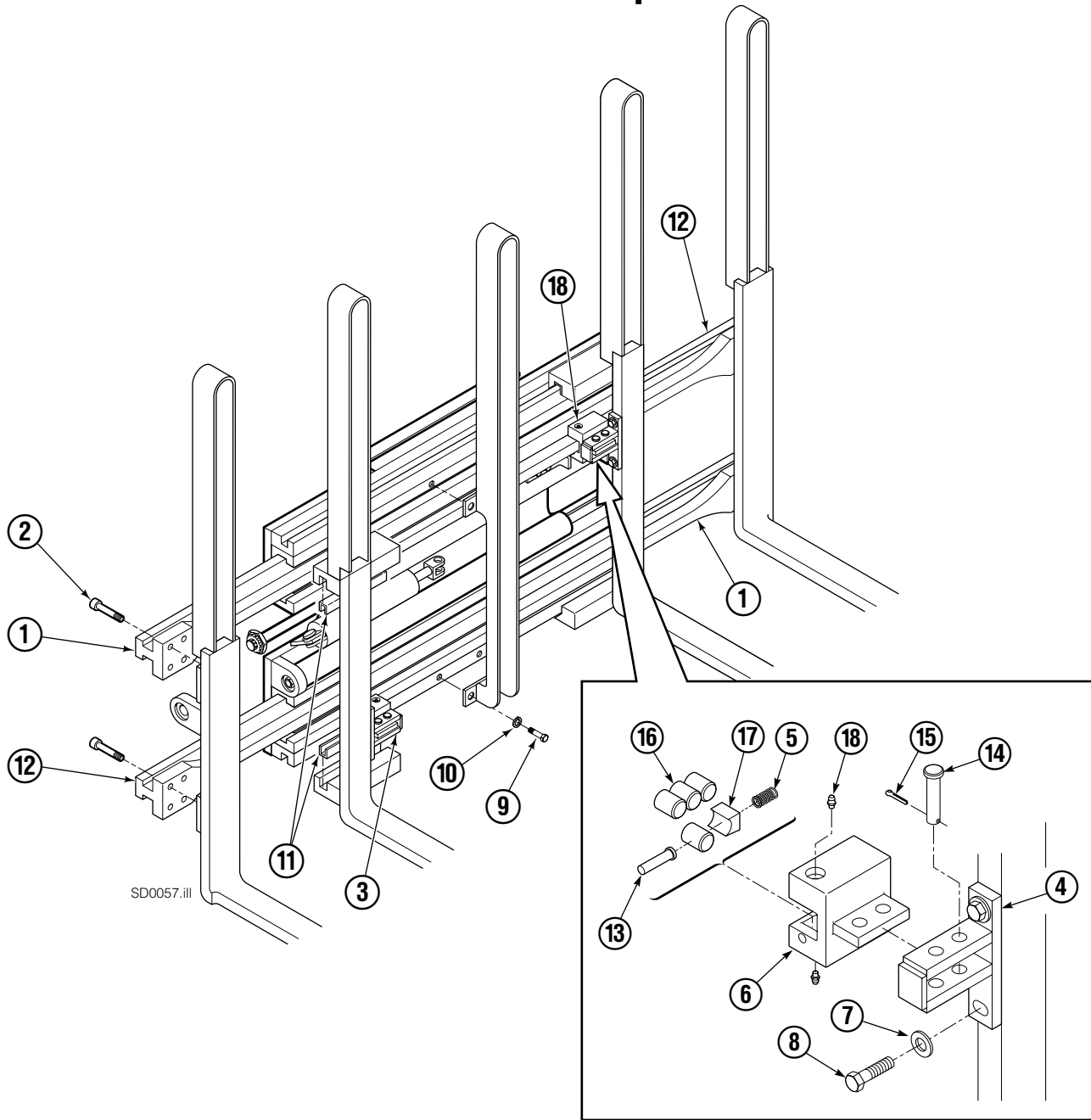
SD0040.ill

50D							
REF	QTY	PART NO.	DESCRIPTION	REF	QTY	PART NO.	DESCRIPTION
1	4	611288	Fitting, 6-8	10	2	604511	Fitting, 6-6
2	1	205226	Hose, 34.25 in.	11	1	611329	Fitting, 6-6
3	4	2375	Fitting, 6-6	12	1	688697	Hose, 20.25 in.
4	1	378352	Hose, 31 in.	13	1	686472	Hose, 25.50 in.
5	2	601676	Fitting, 6-6	14	2	666984	Fitting, 4-6
6	1	205224	Hose	15	1	204222	Valve Body
7	1	205223	Hose	16	1	204951	Service Kit
8	1	673167	Hose, 9.5 in.	17	1	210266	Flow Divider Cartridge
9	1	204223	Valve Assembly ■				

■ Includes items 15-17.

Reference: Base Unit 378514, Common Parts 378515.

Arm Group



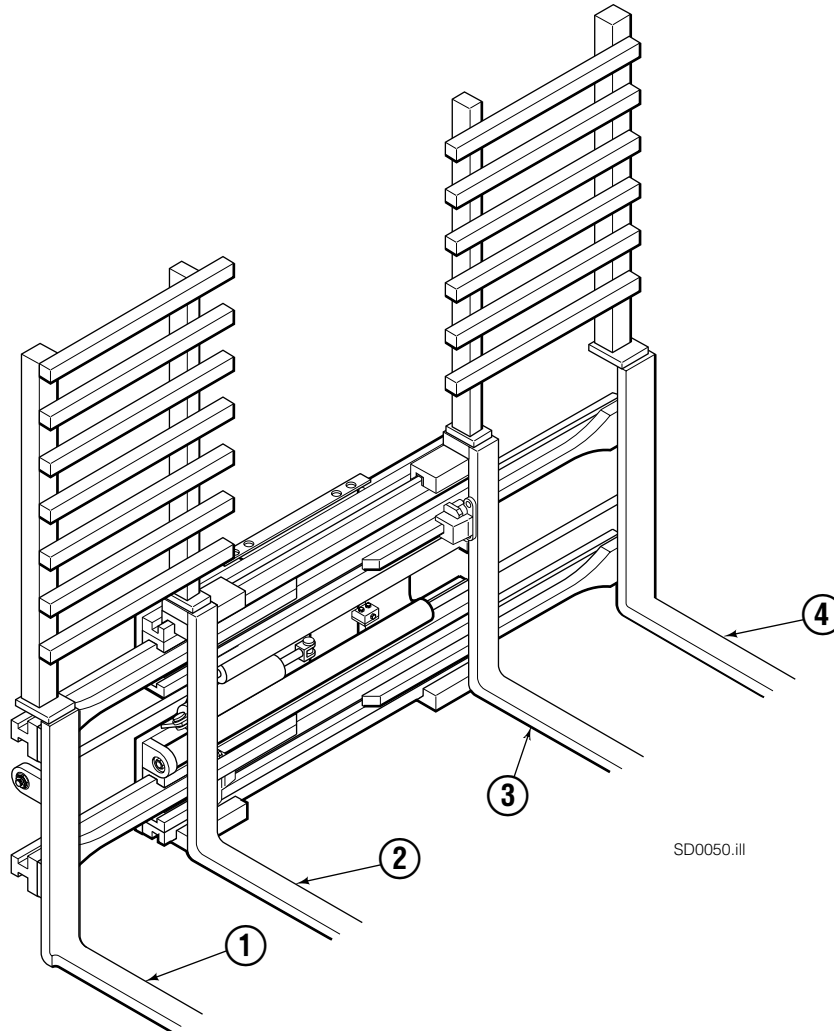
SD0057.iii

50D							
REF	QTY	PART NO.	DESCRIPTION	REF	QTY	PART NO.	DESCRIPTION
		378169	Arm Group	9	4	633801	Capscrew
1	2	378170	Arm Bar	10	4	6290	Washer
2	16	607103	Capscrew, .75 x 1.50	11	4	209654	Bearing
3	1	211272	Roller Assembly – RH	12	2	378173	Arm Bar
	1	211277	Roller Assembly – LH	13	1	209433	Pin ■
4	2	209410	Anchor Plate ■	14	2	674265	Clevis Pin ■
5	1	211729	Spring ■	15	2	6524	Cotter Pin ■
6	1	211271	Housing – RH ■	16	4	209430	Roller ■
	1	209659	Housing – LH ■	17	1	209431	Spring Keeper ■
7	4	6455	Washer	18	2	211270	Grease Fitting ■
8	4	4506	Capscrew				

■ Included in Roller Assembly (Item 3).

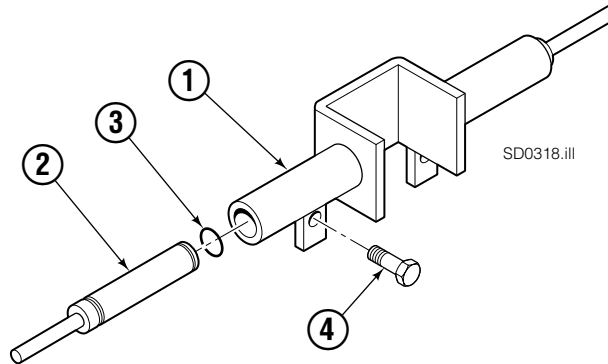
Reference: Base Unit 378514, Common Parts 378515.

Fork and Backrest Group Interlocking Backrest



50D			
REF	QTY	PART NO.	DESCRIPTION
		205284	Fork and Backrest Group
1	1	205289	Outer Fork – RH
2	1	205287	Inner Fork – RH
3	1	205286	Inner Fork – LH
4	1	205288	Outer Fork – LH

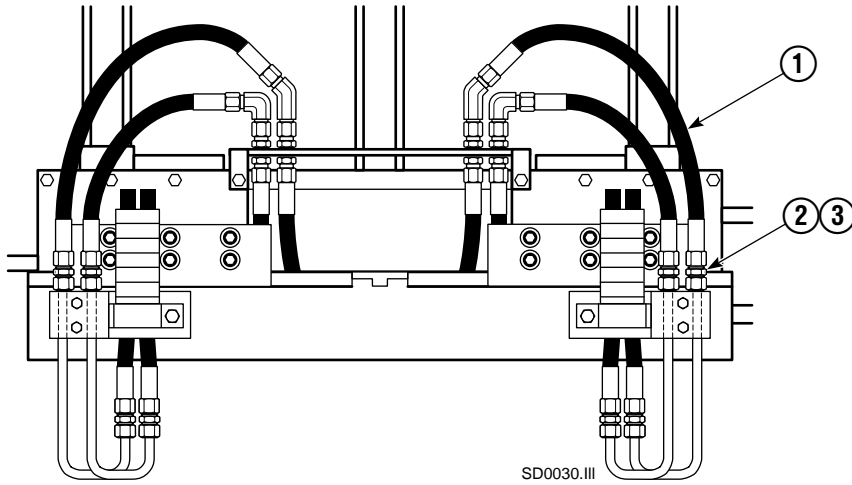
Inner Fork Actuator



50D			
REF	QTY	PART NO.	DESCRIPTION
		209662	Actuator Assembly
1	1	206043	Bracket
2	2	206048	Micro Spring
3	2	643339	O-Ring
4	2	643539	Capscrew, .50 x 1.75

Reference: SK-6081.

Installation Kit



REF	QTY	PART NO.	DESCRIPTION
		205854	Installation Kit
1	4	2161	Hose
2	4	2347	Fitting, 6-6
3	4	674294	Fitting, 6-8

Do you have questions you need answered right now? Call your nearest Cascade Parts Department.

Cascade Corporation
2501 Sheridan Avenue
Springfield, OH 45505
Tel: 888-CASCADE (227-2233)
FAX: 888-329-0234
www.cascorp.com

Cascade Canada Inc.
5570 Timberlea Blvd.
Mississauga, Ontario
Canada L4W-4M6
Tel: 905-629-7777
FAX: 905-629-7785

Cascade GmbH
D-41199 Monchengladbach
Klosterhofweg 52
Germany
Tel: 21-66-602091
FAX: 21-66-680947

Cascade Finland
01370 Vantas
Finland
Tel: 358-0-836-1925
FAX: 358-0-836-1935

**Cascade N.V.
European Headquarters**
P.O. Box 3009
1300 El Almere
Damsluisweg 56
1332 ED Almere
The Netherlands
Tel: 31-36-5492911
FAX: 31-36-5492964

**Cascade N.V.
Benelux Sales and Service**
P.O. Box 3009
1300 El Almere
Damsluisweg 56
1332 ED Almere
The Netherlands
Tel: 31-36-5492950
FAX: 31-36-5492974

Cascade (UK) Ltd.
15, Orgreave Crescent
Dore House Industrial Estate
Handsworth
Sheffield S13 9NQ
England
Tel: 742-697524
FAX: 742-695121

**Cascade Scandinavia
Hydraulik A.B.**
Muskötgatan 19, E8-9
S25466 Helsingborg
Sweden
Tel: 42-151135
FAX: 42-152997

Cascade Norway
Østerliveien 37A
1153 Oslo
Norway
Tel: 47-22-743160
FAX: 47-22-743157

Cascade France S.A.R.L.
11, Rue Jean Charcot
Zone Industrielle Sud or
B.P. 22
91421 Morangis Cedex
France
Tel: 1- 64547501
FAX: 1-9790584

Cascade Hispania S.A.
Avenida De La Fabregada, 7
Hospitalet De Llobregat
Barcelona
Spain
Tel: 3-335-5158
FAX: 3-335-4756

Cascade Japan Ltd.
5-5-41,
Torikai Kami
Settsu, Osaka
Japan, 566
Tel: 81-726-53-3490
FAX: 81-726-53-3497

Cascade Korea
Room 508, Pum Yang Bldg.
750-14, Bang Bac-Dong
Se-Cho Ku, Seoul
Korea
Tel: 2599-7131 ext. 512
FAX: 2533-8089

HYCO-Cascade Pty. Ltd.
1445 Ipswich Road
Rocklea,
Queensland 4107
Australia
Tel: 3-274-2722
FAX: 3-274-3456

HYCO-Cascade (NZ) Ltd.
15 Ra Ora Drive, East Tamaki
P.O. Box 38-440
Howick, Auckland
New Zealand
Tel: 9-273-9136
FAX: 9-273-9137

Cascade (Africa) Pty. Ltd.
P.O. Box 625, Isando 1600
60A Steel Road
Sparton, Kempton Park
South Africa
Tel: 975-9240
FAX: 394-1147

Cascade-Xiamen
No. 668 Yangguang Rd.
Xinyang Industrial Zone
Haicang, Xiamen
Fujian Province
P.R. China 361026
Tel: 592-651-2500
FAX: 592-651-2571

**Cascade (Singapore)
Trading Co.**
Four Seasons Park
Autumn Block - Apt. 1802
12 Cascaden Walk
Singapore
Tel: 65-834-1935
FAX: 65-834-1936

