

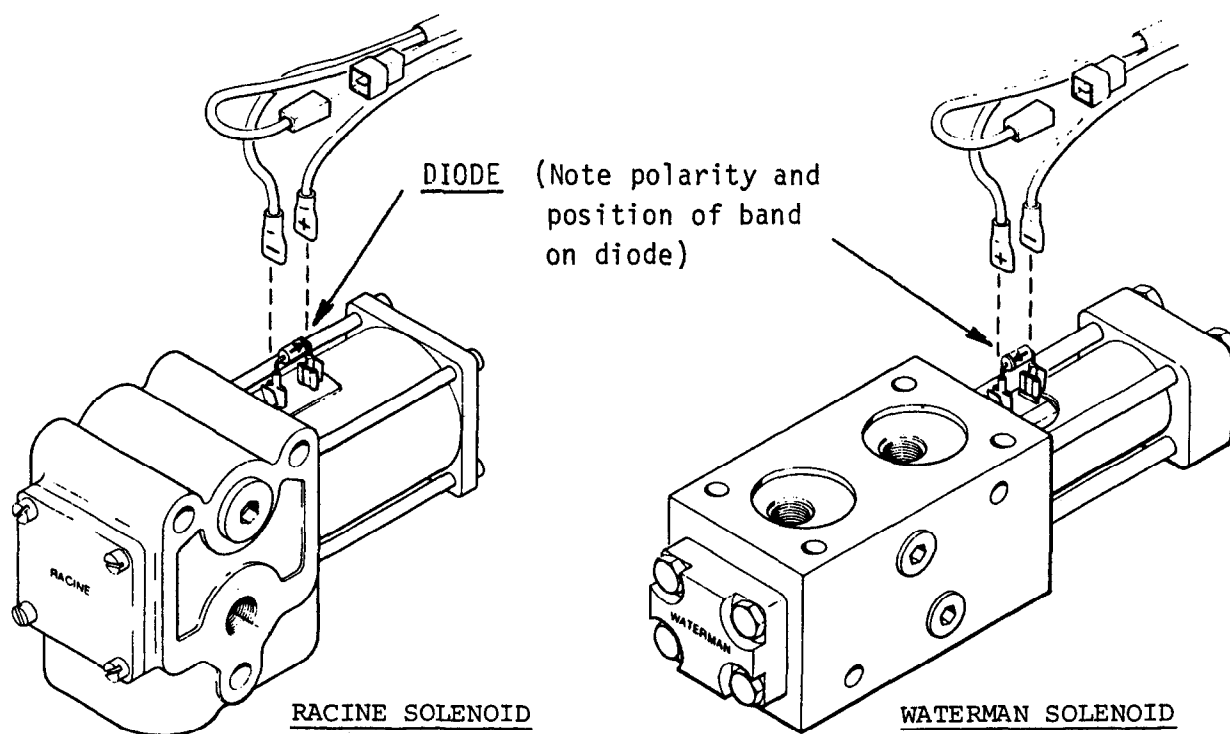
Technical Bulletin

Addition of Diode to Solenoid Circuits

PROBLEM: Reverse polarity voltage spike occurs as solenoid control button is released, resulting in shortened service life of switch.

SOLUTION: Add diode to circuit at solenoid terminals to suppress voltage spike.

Cascade uses two solenoid types which are effected. Determine which solenoid terminal is positive and which is negative by testing switch circuit connections. Install diode with body band toward positive terminal. Reconnect solenoid wires in same location as originally installed.



Diode (Cascade p/n 669432) is available by contacting the Cascade Parts Depot.

NOTE: This information should not be interpreted as the basis for warranty claims unless so designated.

Part No. 215735

cascade[®]

For Technical Assistance and to Order Parts . . .

Call: 1-800-CASCADE or 503-669-6300

FAX: 503-669-6367

Write: Cascade Corporation, PO Box 20187, Portland, OR 97220