



# Parts Manual

---

## 45F Paper Roll Clamps

---

Serial Numbers 674870 through 674923

Manual Number 674491

---

**cascade**<sup>®</sup>

Cascade is a Registered Trademark of Cascade Corporation

# HOW TO USE THIS MANUAL

## Introduction

This manual illustrates service replacement parts for standard production Cascade 45F Paper Roll Clamps.

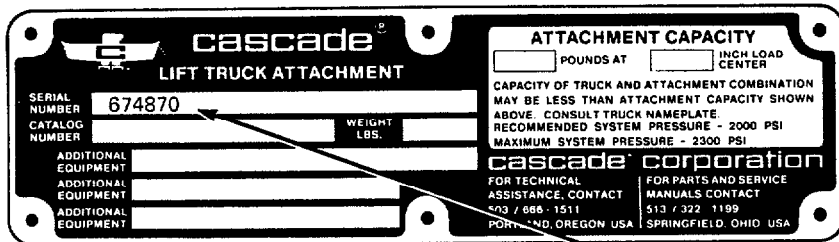
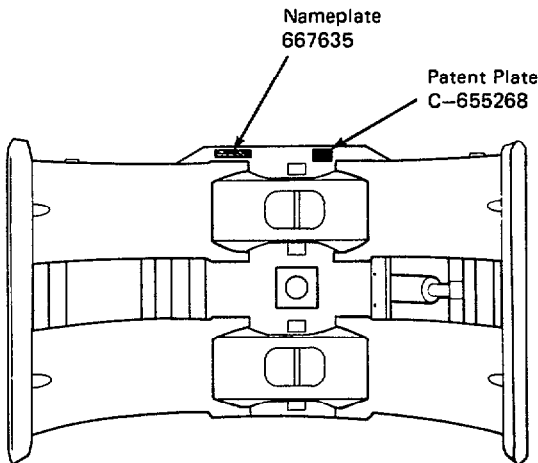
The parts manuals for attachments designed by the Application Engineering Department have an A.E.D. designation on the cover of the manual.

This standard attachment manual is not interchangeable with an A.E.D. Manual since it does not reflect the special engineering of an A.E.D. attachment.

To locate a service replacement part for a standard attachment follow the steps below.

### 1. Locate the Nameplate

The nameplate is attached to the top of the arm frame. If the nameplate is missing, all necessary information is stamped into the frame at the same location.



### 2. Note the Serial Number

Record the six-digit Serial Number. See the example.

### 3. Refer to Serial Number Index

Locate your Serial Number in the Serial Number Index on the following page.

**IMPORTANT: DO NOT USE THIS MANUAL TO ORDER PARTS FOR AN A.E.D. ATTACHMENT.** Contact Cascade Corporation to obtain the correct parts manual. You must supply the serial number and all additional equipment numbers to order the correct manual.

### 4. Ordering

**Retail Customers.** Cascade Service Replacement Parts and Service Literature are sold through authorized lift truck dealers. To order, contact the lift truck dealer of your choice.

**Lift Truck Dealers.** To order Service Replacement Parts or Service Literature, contact:

Cascade Parts Depot  
2501 Sheridan Avenue  
P.O. Box 360  
Springfield, Ohio 45505  
(513) 322-1199  
Telex: 205413

### 5. For Your Convenience

... We have supplied a parts ordering log located on the last page. Use this log as a permanent record of parts ordered from this manual.



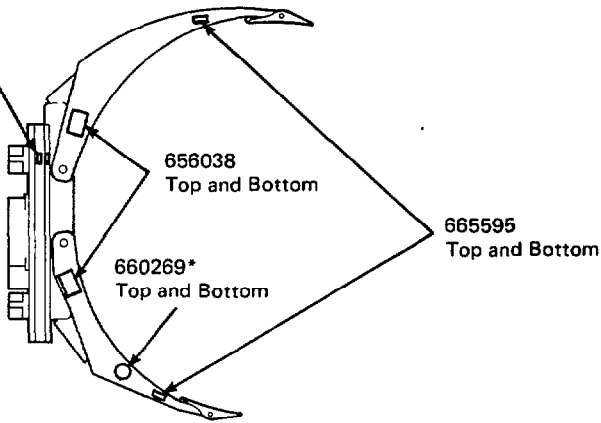
# Serial Number Index

Serial Number	Maximum Handling Capacity	Frame Group Page	Common Components Page	Drive Group Page	Hosing Group Page	Cylinders Page	Arms Page	Bumper Group Page	Mounting Group Page	Solenoid Adaption Page	180° Group Page
674870	45"	1	2	4	7	12, 13	16, 17	—	20	—	24
674871	45"	1	2	4	7	12, 13	16, 17	—	20	—	24
674872	45"	1	2	4	7	12, 13	16, 17	—	21	—	24
674873	45"	1	2	4	7	12, 13	16, 17	—	21	—	24
674875	45"	1	2	4	6	12, 13	16, 17	—	20	—	24
674876	45"	1	2	4	6	12, 13	16, 17	—	20	—	24
674877	45"	1	2	4	6	12, 13	16, 17	—	21	—	24
674878	45"	1	2	4	6	12, 13	16, 17	—	21	—	24
674880	51"	1	2	4	7	12, 13	16, 17	—	20	—	24
674881	51"	1	2	4	7	12, 13	16, 17	—	20	—	24
674882	51"	1	2	4	7	12, 13	16, 17	—	21	—	24
674883	51"	1	2	4	7	12, 13	16, 17	—	21	—	24
674885	51"	1	2	4	6	12, 13	16, 17	—	20	—	24
674886	51"	1	2	4	6	12, 13	16, 17	—	20	—	24
674887	51"	1	2	4	6	12, 13	16, 17	—	21	—	24
674888	51"	1	2	4	6	12, 13	16, 17	—	21	—	24
674890	45"	1	2	4	7	12, 13	16, 17	18	20	—	24
674891	45"	1	2	4	7	12, 13	16, 17	18	20	—	24
674892	45"	1	2	4	7	12, 13	16, 17	18	21	—	24
674893	45"	1	2	4	7	12, 13	16, 17	18	21	—	24
674894	45"	1	2	4	6	12, 13	16, 17	18	20	—	24
674895	45"	1	2	4	6	12, 13	16, 17	18	20	—	24
674896	45"	1	2	4	6	12, 13	16, 17	18	21	—	24
674897	45"	1	2	4	6	12, 13	16, 17	18	21	—	24
674898	51"	1	2	4	7	12, 13	16, 17	18	20	—	24
674899	51"	1	2	4	7	12, 13	16, 17	18	20	—	24
674900	51"	1	2	4	7	12, 13	16, 17	18	21	—	24
674901	51"	1	2	4	7	12, 13	16, 17	18	21	—	24
674902	51"	1	2	4	6	12, 13	16, 17	18	20	—	24
674903	51"	1	2	4	6	12, 13	16, 17	18	20	—	24
674904	51"	1	2	4	6	12, 13	16, 17	18	21	—	24
674905	51"	1	2	4	6	12, 13	16, 17	18	21	—	24
674906	45"	1	3	4	8	12, 13, 15	16, 17	—	20	22	24
674907	45"	1	3	4	8	12, 13, 15	16, 17	—	20	22	24
674908	45"	1	3	4	8	12, 13, 15	16, 17	—	21	22	24
674909	45"	1	3	4	8	12, 13, 15	16, 17	—	21	22	24
674911	51"	1	3	4	8	12, 14, 15	16, 17	—	20	22	24
674912	51"	1	3	4	8	12, 14, 15	16, 17	—	20	22	24
674913	51"	1	3	4	8	12, 14, 15	16, 17	—	21	22	24
674914	51"	1	3	4	8	12, 14, 15	16, 17	—	21	22	24
674916	45"	1	3	4	8	12, 13, 15	16, 17	19	20	22	24
674917	45"	1	3	4	8	12, 13, 15	16, 17	19	20	22	24
674918	45"	1	3	4	8	12, 13, 15	16, 17	19	21	22	24
674919	45"	1	3	4	8	12, 13, 15	16, 17	19	21	22	24
674920	51"	1	3	4	8	12, 14, 15	16, 17	19	20	22	24
674921	51"	1	3	4	8	12, 14, 15	16, 17	19	20	22	24
674922	51"	1	3	4	8	12, 14, 15	16, 17	19	21	22	24
674923	51"	1	3	4	8	12, 14, 15	16, 17	19	21	22	24

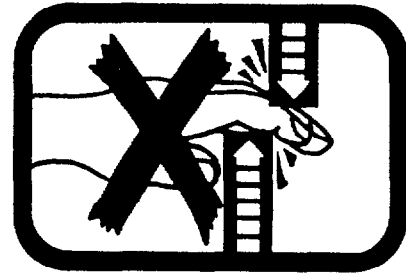
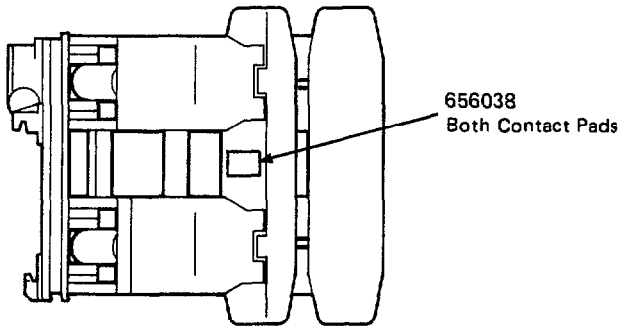


# Safety Decals

Rotation Indicator  
Tape 675353



\* For clamps with moveable short arm.



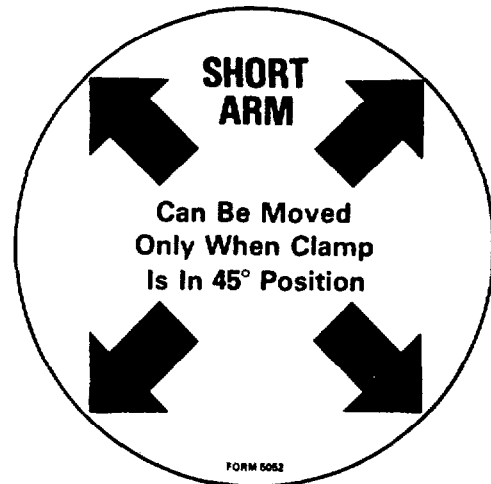
QTY	PART NO.	DESCRIPTION
6	665595	No Hand Hold Decal

2063ab



QTY	PART NO.	DESCRIPTION
6	656038	No Hand Hold Decal

2063ab



FORM 6062

QTY	PART NO.	DESCRIPTION
2	660269	Short Arm Decal

2063ab

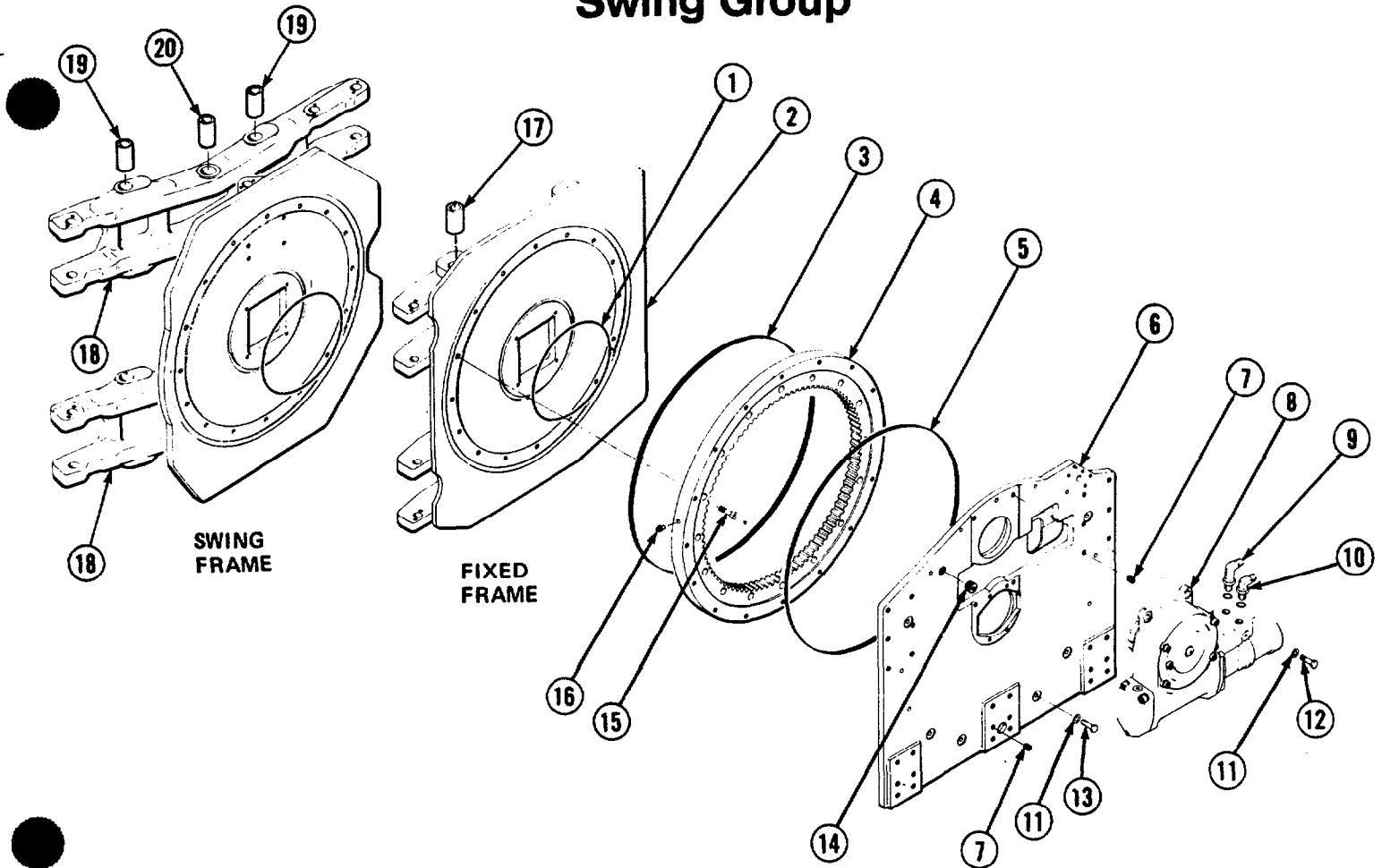


© Cascade Corporation 1984

Rev.

674491

# Frame Group Swing Group

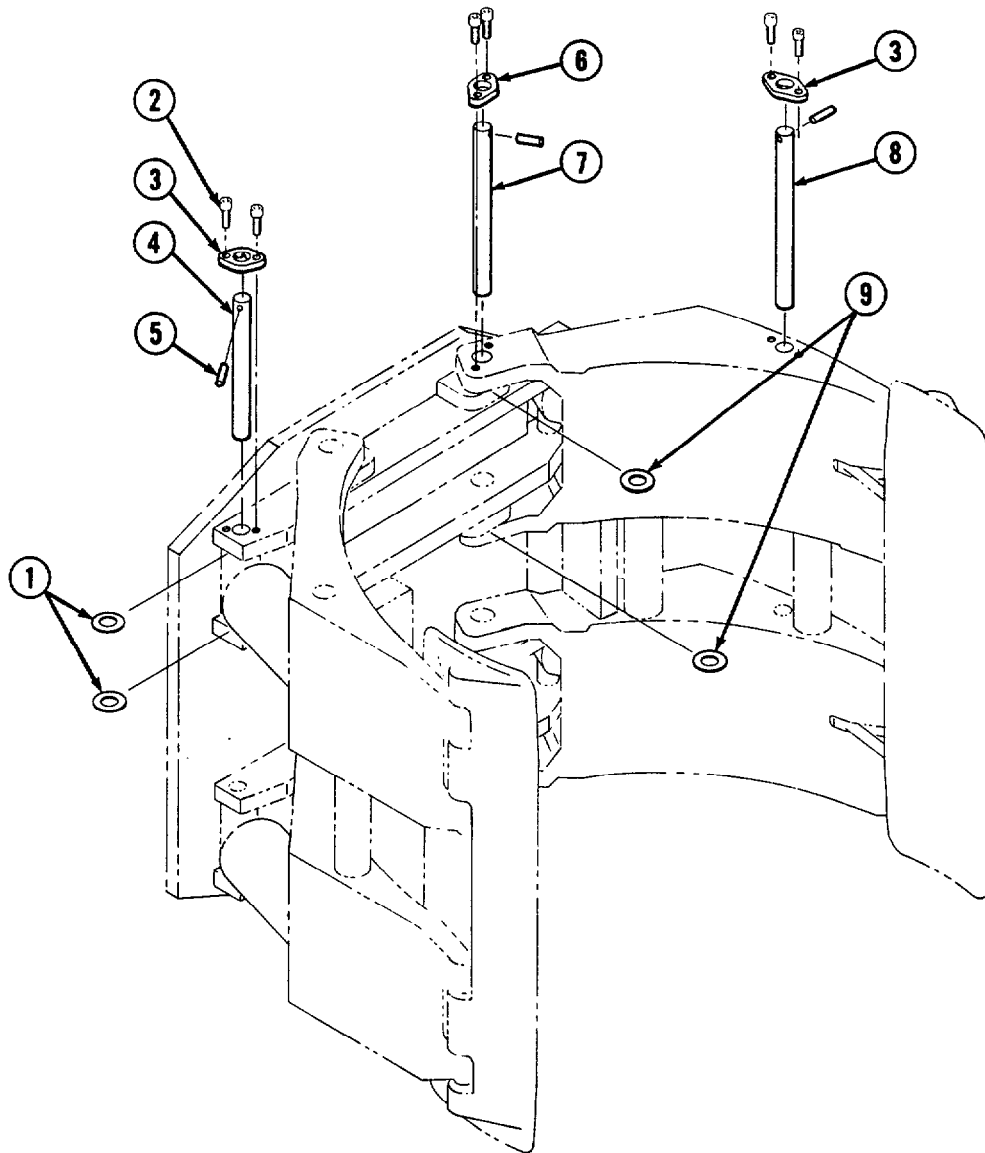


45F			
REF	QTY	PART NO.	DESCRIPTION
		‡674855	Frame Group, Fixed - 45" Roll□
		‡674856	Frame Group, Fixed - 51" Roll□
		‡674857	Frame Group, Swing
		★674862	Swing Group - 45" Roll
		★675863	Swing Group - 51" Roll
1	1	670931	Seal
	1	674822	Faceplate, Fixed - 45" Roll□
2	1	674823	Faceplate, Fixed - 51" Roll□
	1	674772	Faceplate, Swing
3	1	670513	Seal
☆■4	1	672828	Bearing Assembly
5	1	670514	Seal
6	1	670926	Baseplate
7	8	631385	Plug
●8	1	670505	Drive Group
9	1	660385	Fitting, 8-8
10	1	601250	Fitting, 8-8
11	18	6290	Lockwasher
12	4	661742	Capscrew, 1/2 NC x 1.25 GR5
13	16	640013	Capscrew, 1/2 NC x 1.75 GR5
14	1	6605	Plug
☆15	16	669322	Capscrew, 1/2 NC x 1.5
16	1	7401	Grease Fitting
17	8	674843	Bushing
18	1	674761	Swing Frame - 45" Roll□
18	1	674762	Swing Frame - 51" Roll□
19	8	674839	Bushing
20	4	674840	Bushing

2063a

- Includes items 3 and 5.
- See page 4 for replacement parts breakdown.
- ☆ Included in Bearing Service Kit 672481.
- ‡ Includes items 1 through 17.
- ★ Includes items 18, 19 and 20.
- Maximum clamp handling capacity.

# Common Components Group Fixed Frame

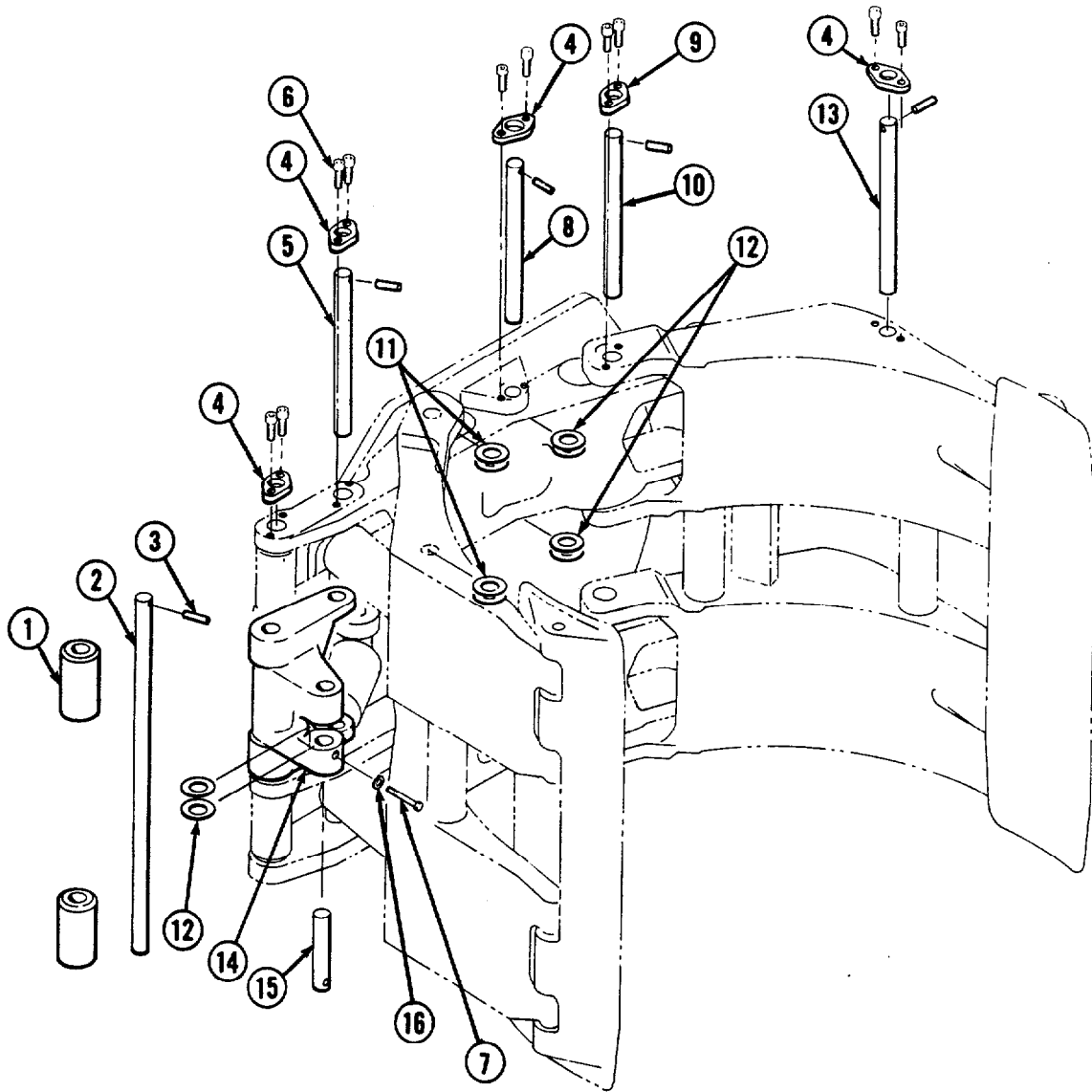


45F			
REF	QTY	PART NO.	DESCRIPTION
		674866	Components Group
1	8	674837	Shim
2	24	4468	Capscrew, 5/16 NC x 2.25
3	8	674827	Retainer
4	4	674831	Pin
5	12	673385	Drive Pin
6	4	674828	Retainer
7	4	674835	Pin
8	4	674832	Pin
9	16	660200	Shim

2063b



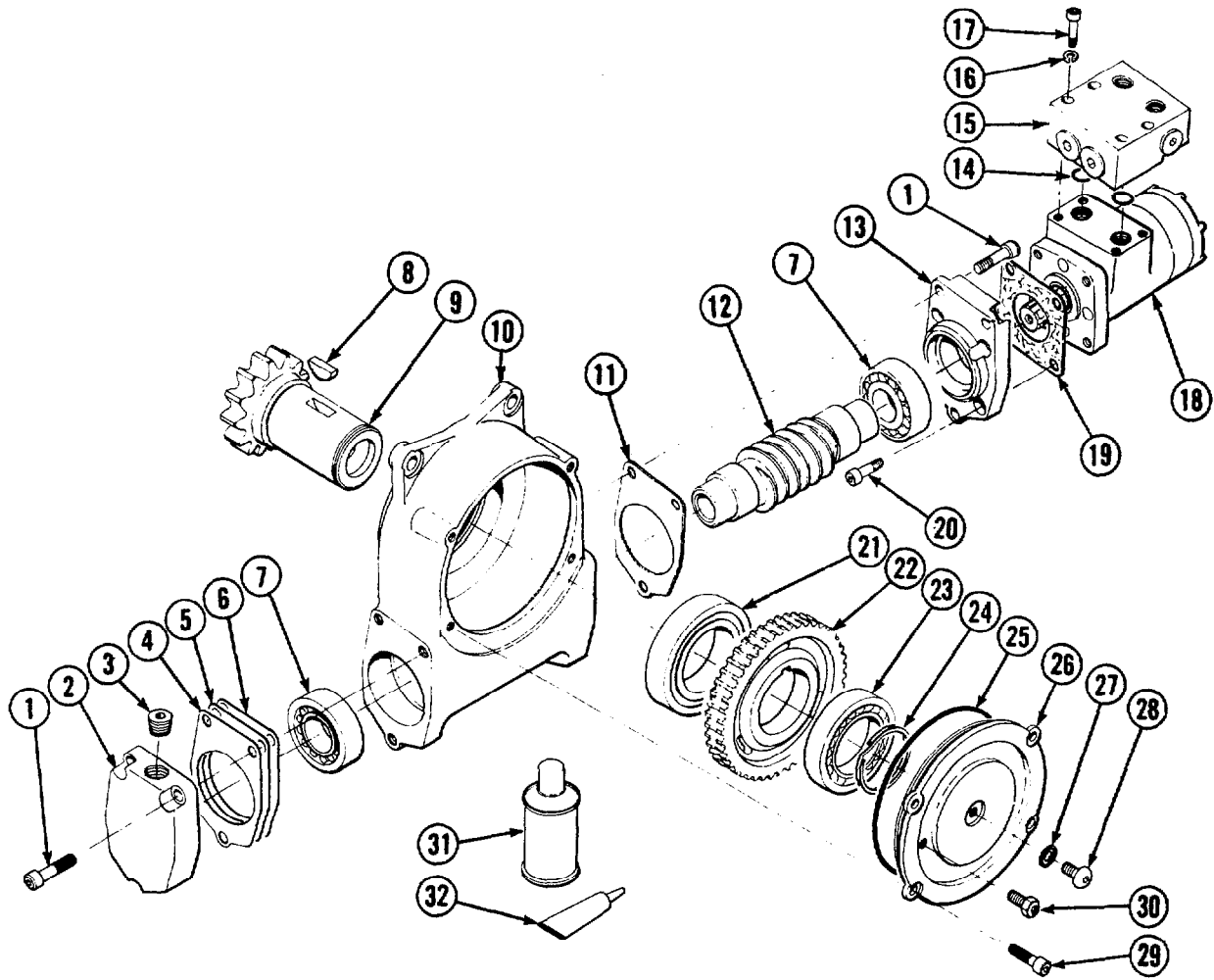
# Common Components Group Swing Frame



45F			
REF	QTY	PART NO.	DESCRIPTION
		674861	Components Group
1	2	674759	Roller
2	1	674834	Pin
3	15	673385	Drive Pin
4	11	674827	Retainer
5	4	674831	Pin
6	30	4468	Capscrew, 3/8 NC x .75
7	2	3582	Capscrew, 5/16 NC x 2.25
8	2	674833	Pin
9	4	674828	Retainer
10	4	674835	Pin
11	16	660200	Shim
12	10	674837	Shim
13	4	674832	Pin
14	1	674858	Swing Casting
15	2	674836	Pin
16	2	6287	Lockwasher

2063b

# Drive Group

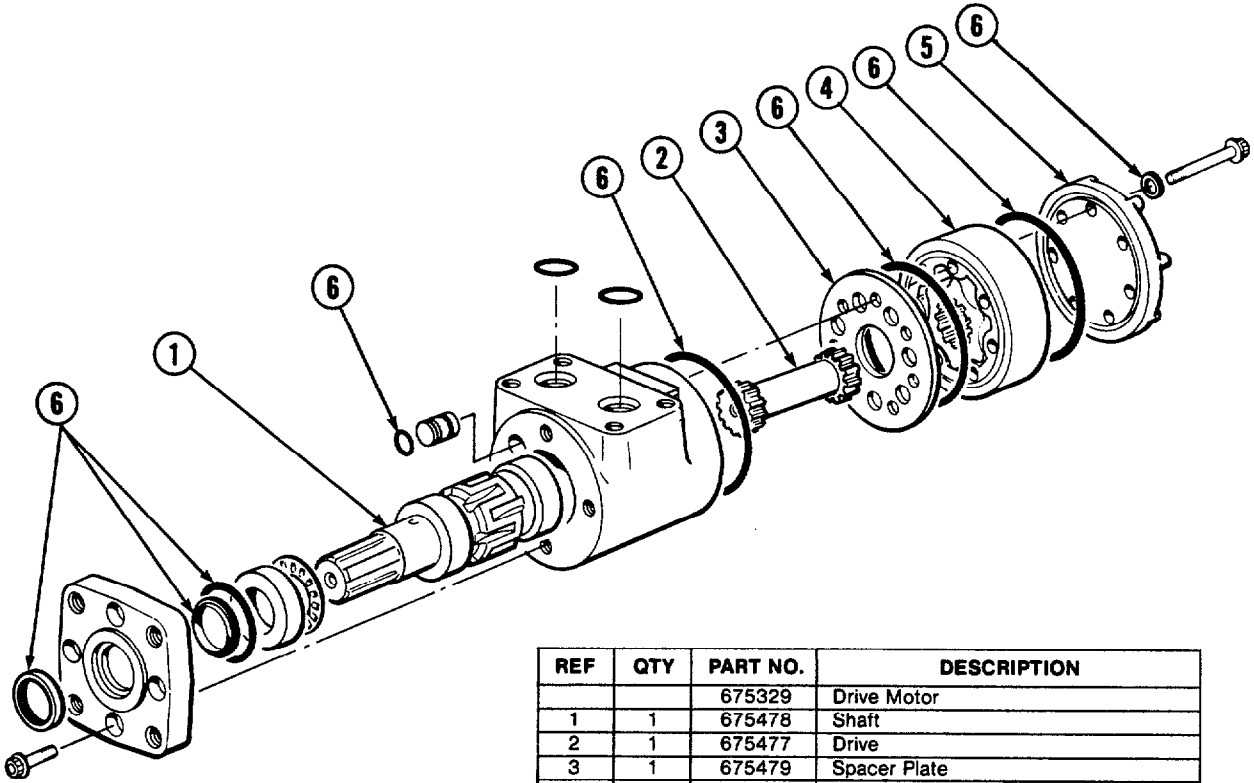


REF	QTY	PART NO.	DESCRIPTION	REF	QTY	PART NO.	DESCRIPTION
		675628	Drive Group with Motor	☆18	1	675329	Drive Motor
		†675631	Drive Group without Motor	19	1	670575	Gasket
1	6	607071	Capscrew, 7/16 NC x 1.0 GR8	20	4	4468	Capscrew, 3/8 NC x .75
2	1	670572	Cover	■21	1	670580	Bearing
3	1	6609	Plug	22	1	675609	Worm Gear
★ 4	●	670574	Shim - .010" (Brown)	23	1	670581	Bearing
★ 5	●	671757	Shim - .015" (Pink)	24	1	7214	Snap Ring
★ 6	●	671758	Shim - .020" (Yellow)	25	1	643423	O-Ring
‡ 7	2	670579	Bearing	26	1	670567	Cover
8	1	670582	Key	27	1	603680	Seal
9	1	670506	Pinion	28	1	4874	Capscrew, 3/8 NC x .50 GR8
10	1	670565	Housing	29	4	671535	Capscrew, 5/16 NC x .75
11	1	670674	Shim - .010" (Brown)	30	1	644010	Relief Fitting
12	1	675608	Worm	31	1	656300	Gear Box Lube - 48 oz.
13	1	670570	Adapter	■32	1	668184	Sealant
14	2	2705	Seal			‡670578	Shim Service Kit
☆15	1	670549	Check Valve			671583	Bearing Service Kit
16	4	6444	Lockwasher			671584	Bearing Service Kit
17	4	607059	Capscrew, 5/16 NC x 1.75 GR8				

2063p

- Quantity as required.
- Included in Bearing Service Kit 675637.
- ‡ Included in Bearing Service Kit 675638.
- ★ Included in Shim Service Kit 670578.
- ☆ See page 5 for replacement parts breakdown.
- † Does not include items 15, 17 and 18.

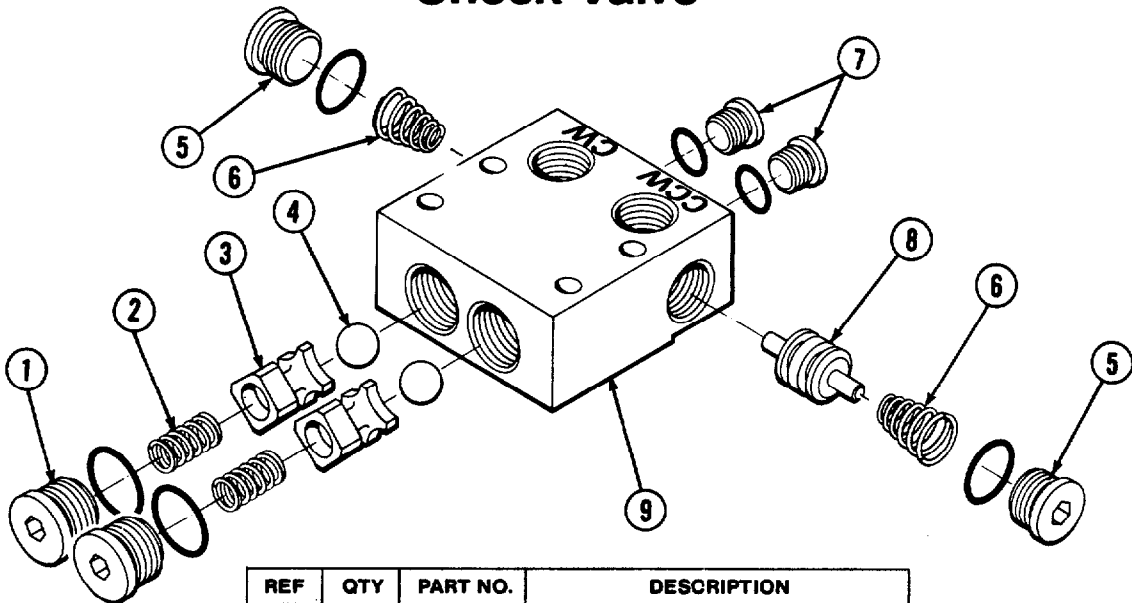
# Drive Motor



REF	QTY	PART NO.	DESCRIPTION
		675329	Drive Motor
1	1	675478	Shaft
2	1	675477	Drive
3	1	675479	Spacer Plate
4	1	675480	Gerotor Set
5	1	675482	End Cap
6	1	675474	Service Kit

2063c

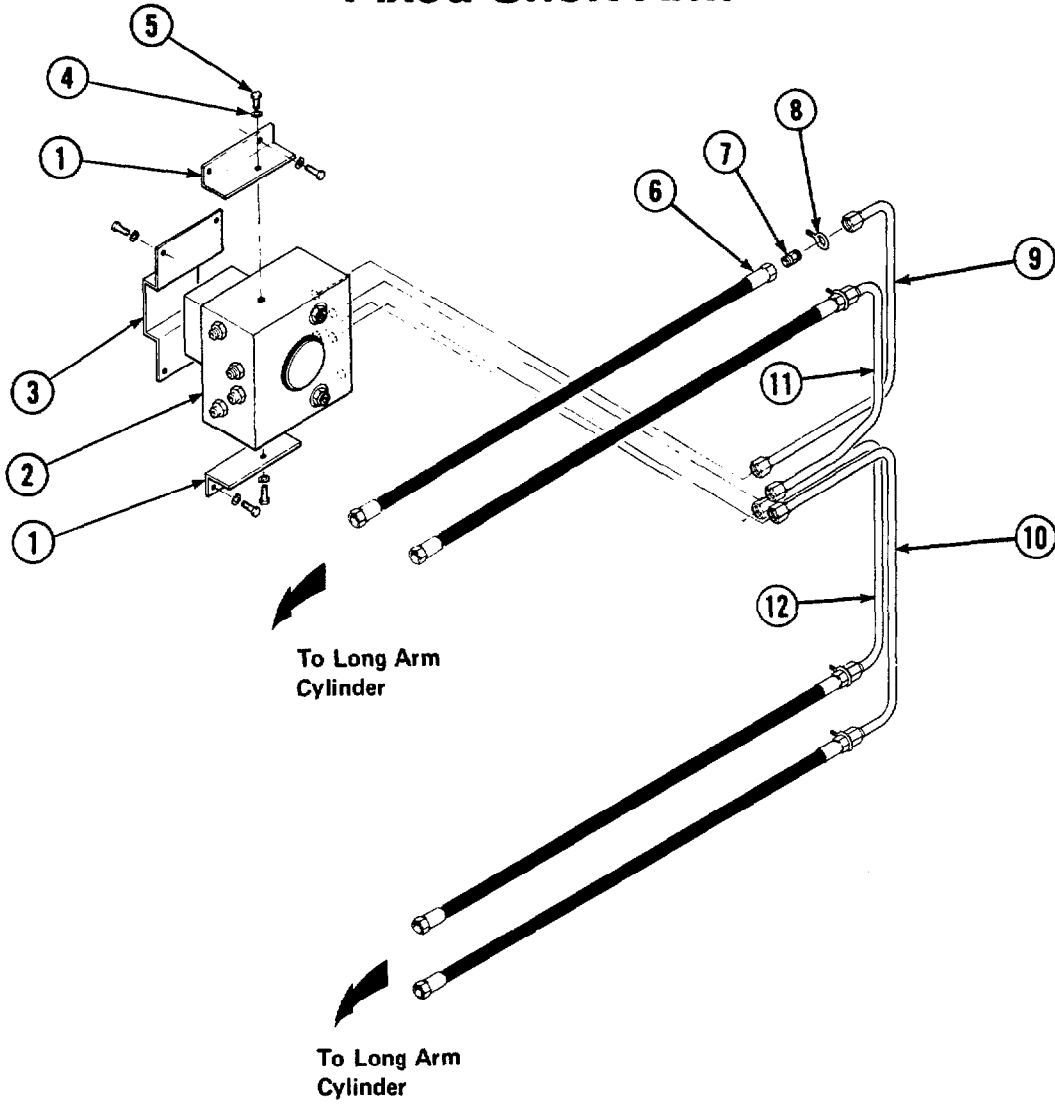
# Check Valve



REF	QTY	PART NO.	DESCRIPTION
		670549	Check Valve Assembly
1	2	609453	Plug
2	2	670552	Spring
3	2	670551	Guide
4	2	7020	Ball
5	2	602580	Plug
6	2	673989	Spring
7	2	604510	Plug
8	1	670553	Spool
9	1	670550	Body

2063c

# Fixed Frame Hosing Group Fixed Short Arm

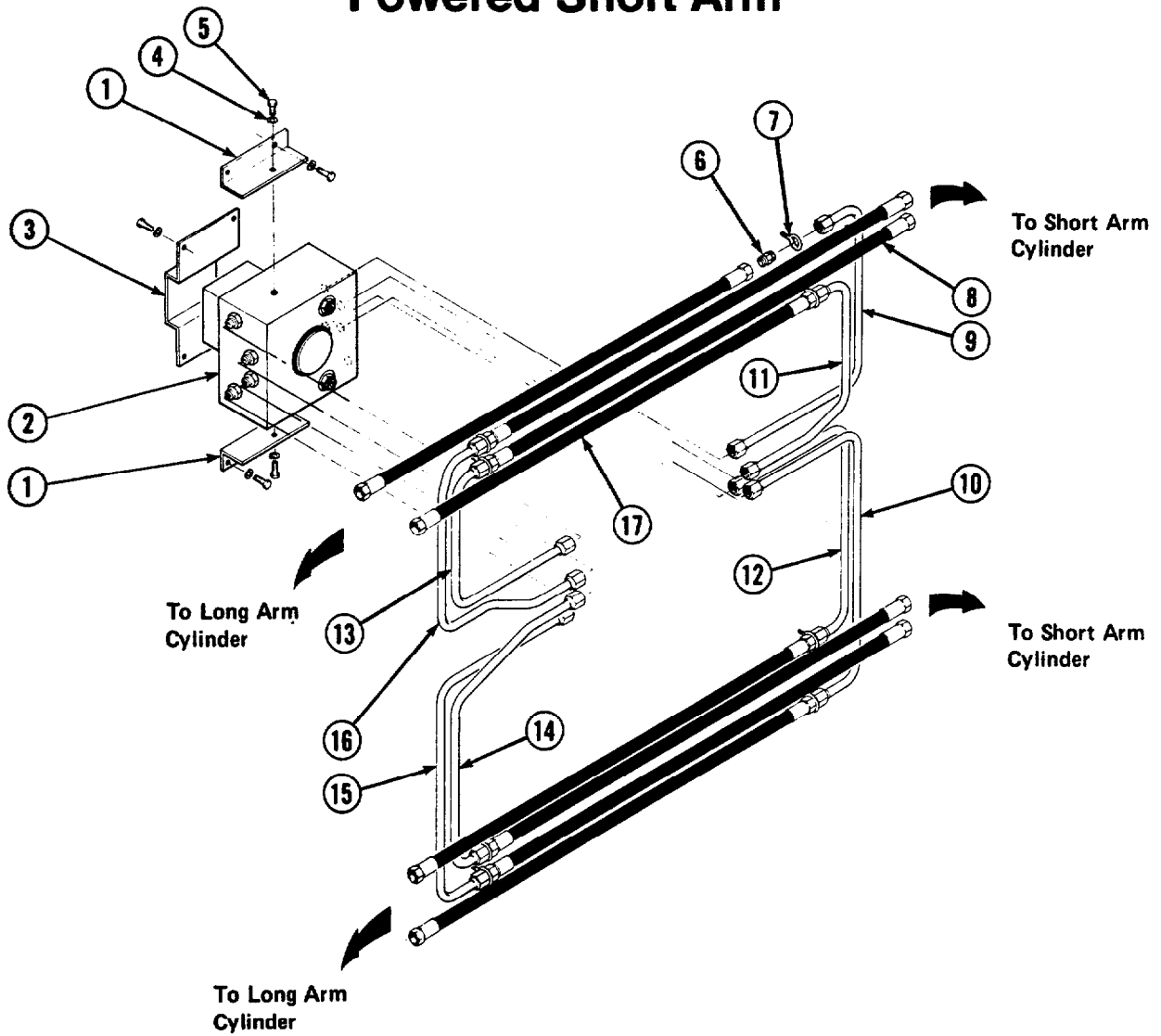


<b>45F</b>			
REF	QTY	PART NO.	DESCRIPTION
		674801	Hosing Group - Fixed Frame
1	2	674742	Angle
● 2	1	674790	Revolving Connection
3	1	674741	Keeper
4	10	6288	Lockwasher
5	10	3600	Capscrew, 3/8 NC x .62
6	4	674757	Hose
7	4	2347	Fitting, 6-6
8	4	674743	Eye Bolt
9	1	674798	Tube
10	1	674799	Tube
11	1	674797	Tube
12	1	674800	Tube

2063d

● See page 9 for replacement parts breakdown.

# Fixed Frame Hosing Group Powered Short Arm

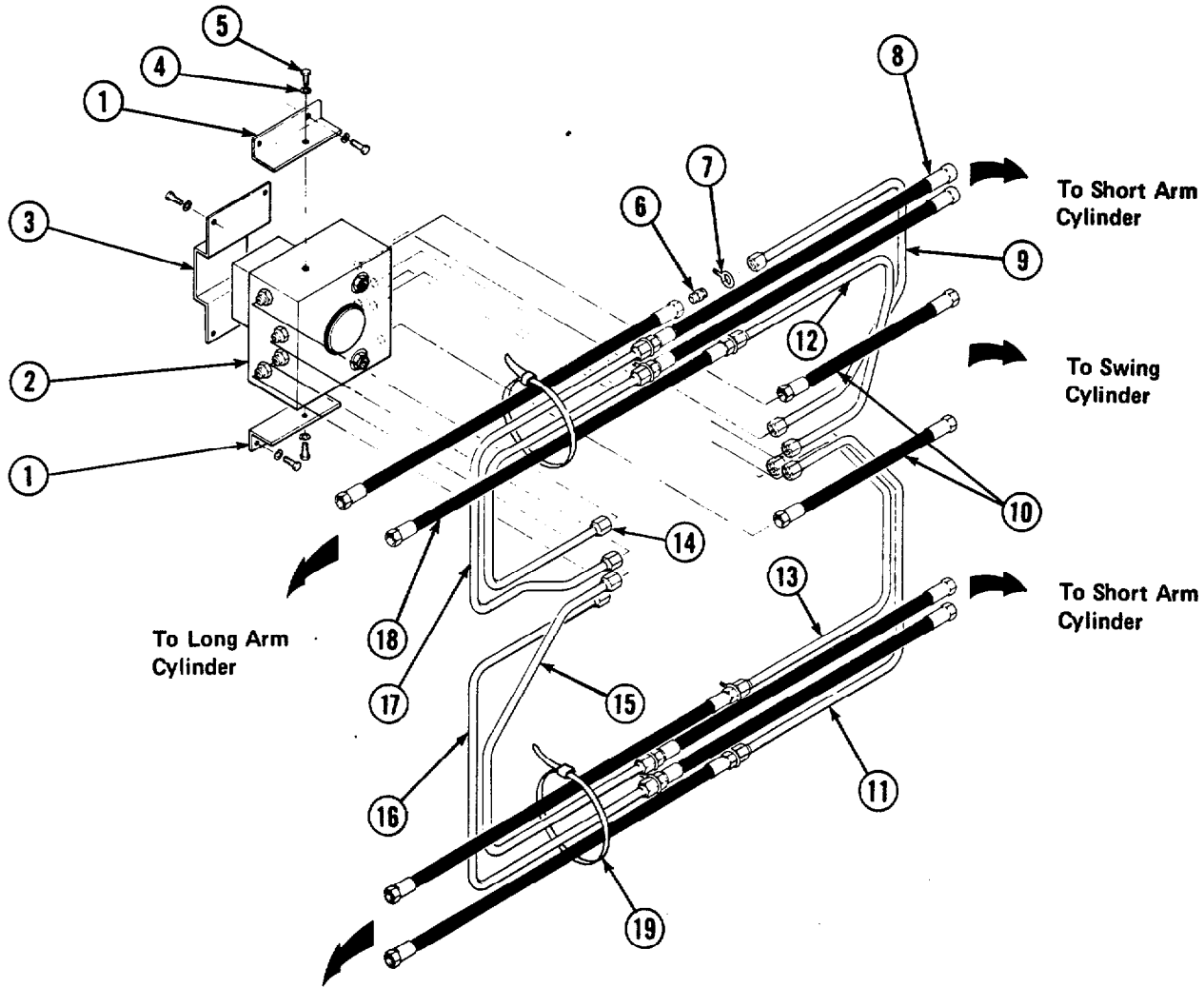


45F			
REF	QTY	PART NO.	DESCRIPTION
		674803	Hosing Group - 45" Roll □
		674804	Hosing Group - 51" Roll □
1	2	674742	Angle
● 2	1	674787	Revolving Connection
3	1	674741	Keeper
4	10	6288	Lockwasher
5	10	3600	Capscrew, 3/8 NC x .62
6	8	2347	Fitting, 6-6
7	8	674743	Eyebolt
8	4	674758	Hose - 45" Roll □
8	4	674760	Hose - 51" Roll □
9	1	674798	Tube
10	1	674799	Tube
11	1	674797	Tube
12	1	674800	Tube
13	1	674793	Tube
14	1	674795	Tube
15	1	674796	Tube
16	1	674794	Tube
17	4	674757	Hose

2063e

- See page 10 for replacement parts breakdown.
- Maximum clamp handling capacity.

# Swing Frame Hosing Group



To Long Arm  
Cylinder

To Short Arm  
Cylinder

To Swing  
Cylinder

To Short Arm  
Cylinder

To Long Arm  
Cylinder

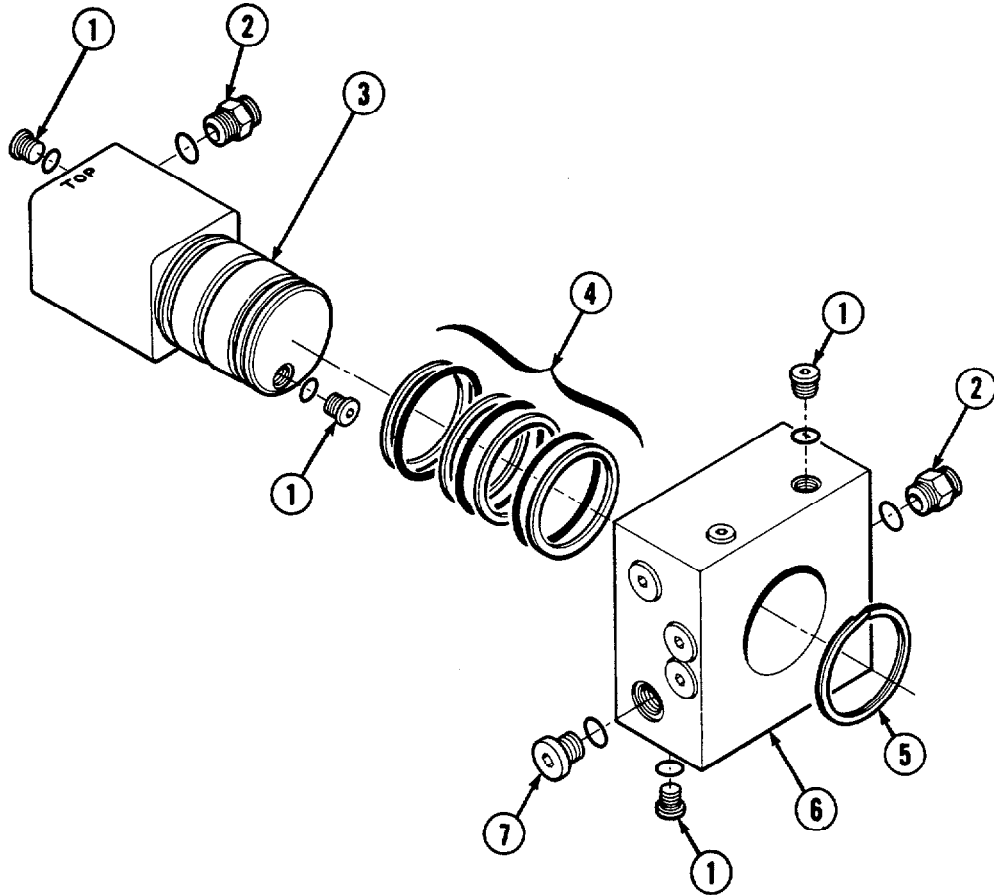
45F			
REF	QTY	PART NO.	DESCRIPTION
		674739	Hosing Group - 45" Roll □
		674740	Hosing Group - 51" Roll □
1	2	674742	Angle
●2	1	674737	Revolving Connection
3	1	674741	Keeper
4	10	6288	Lockwasher
5	10	3600	Capscrew, 3/8, NC x .62
6	8	2347	Fitting, 6-6
7	8	674743	Eyebolt
8	4	674754	Hose - 45" Roll □
8	4	674756	Hose - 51" Roll □
9	1	674749	Tube
10	2	672752	Hose
11	1	674751	Tube
12	1	674748	Tube
13	1	674750	Tube
14	1	674744	Tube
15	1	674746	Tube
16	1	674747	Tube
17	1	674745	Tube
18	4	674753	Hose - 45" Roll □
18	4	674756	Hose - 51" Roll □
19	2	649086	Cable Tie

2063f

- See page 11 for replacement parts breakdown.
- Maximum clamp handling capacity.



# Fixed Frame Revolving Connection Fixed Short Arm

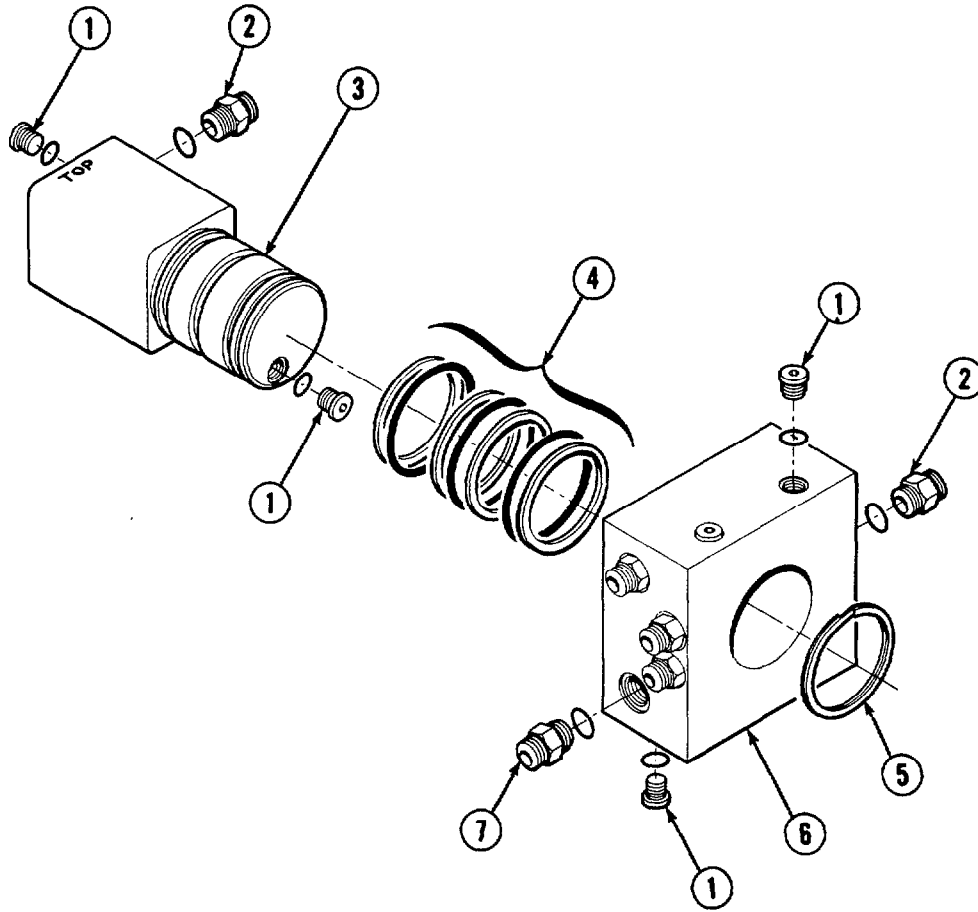


<b>45F</b>			
REF	QTY	PART NO.	DESCRIPTION
		674790	Revolving Connection
1	6	663694	Fitting, 3
2	6	604511	Fitting, 6-6
3	1	674789	Shaft
4	1	674806	Service Kit
5	1	7211	Snap Ring
6	1	674788	Body
7	4	604510	Fitting, 6

2063d



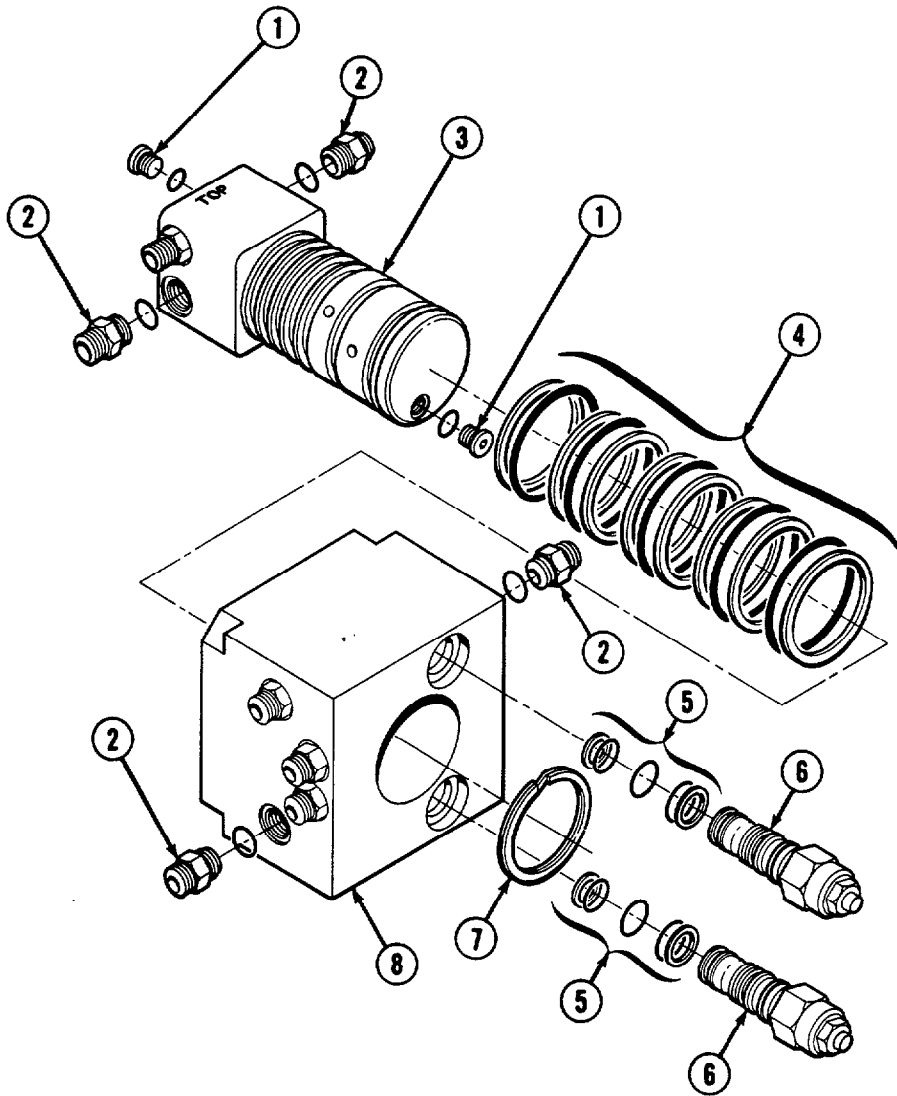
# Fixed Frame Revolving Connection Powered Short Arm



45F			
REF	QTY	PART NO.	DESCRIPTION
		674787	Revolving Connection
1	6	663694	Fitting, 3
2	10	604511	Fitting, 6-6
3	1	674789	Shaft
4	1	674806	Service Kit
5	1	7211	Snap Ring
6	1	674788	Body

2063g

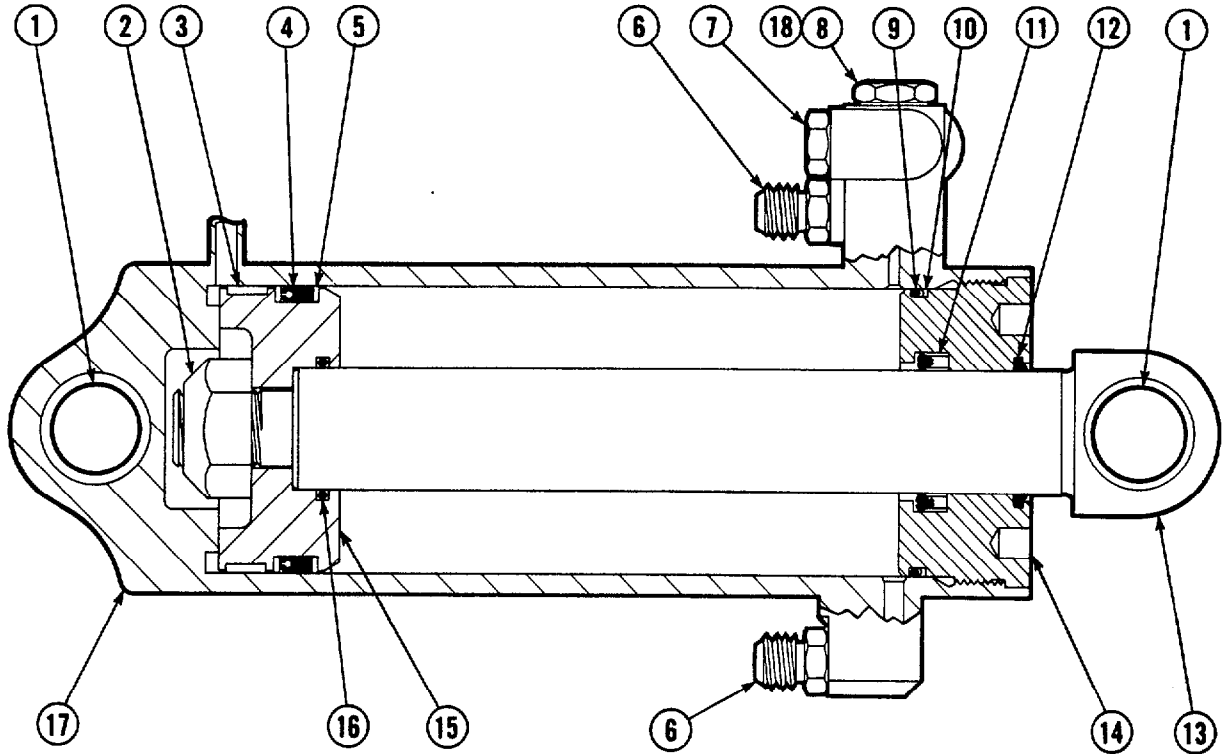
# Swing Frame Revolving Connection



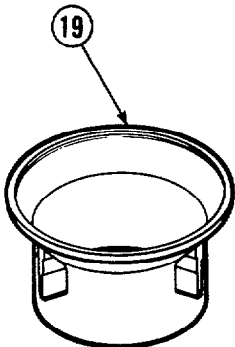
45F			
REF	QTY	PART NO.	DESCRIPTION
		674737	Revolving Connection
1	4	663694	Fitting, 3
2	14	604511	Fitting, 6-6
3	1	674734	Shaft
4	1	674777	Service Kit
5	2	667516	Service Kit
6	2	674732	Valve
7	1	7211	Snap Ring
8	1	674736	Body

2063g

# Short Arm Cylinder Fixed/Swing Frame

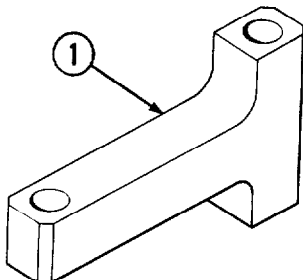


45F				
REF	QTY	45" Roll <sup>□</sup>	51" Roll <sup>□</sup>	DESCRIPTION
		PART NO.	PART NO.	
		555155	555156	Cylinder Assembly
1	3	674840	674840	Bearing
2	1	667990	667990	Nut
●3	1	660767	660767	Bearing
●4	1	662460	662460	Seal
●5	2	638293	638293	Backup Ring
6	2	604511	604511	Fitting, 6-6
7	1	611314	611314	Fitting, 6
8	1	554278	554278	Check Valve
●9	1	2797	2797	O-Ring
●10	1	615140	615140	Backup Ring
●11	1	554498	554498	Seal
●12	1	628047	628047	Wiper
13	1	555243	555240	Rod
14	1	555207	555207	Retainer
15	1	555226	555226	Piston
●16	1	2722	2722	O-Ring
17	1	555242	555239	Shell
18	1	667516	667516	Service Kit
19	1	672909	672909	Seal Loader
		555227	555227	Service Kit



● Included in Service Kit 555227.  
<sup>□</sup> Maximum clamp handling capacity

2063h



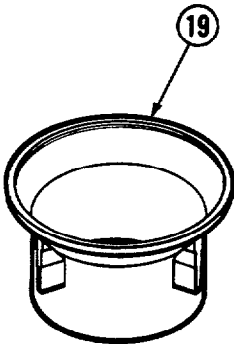
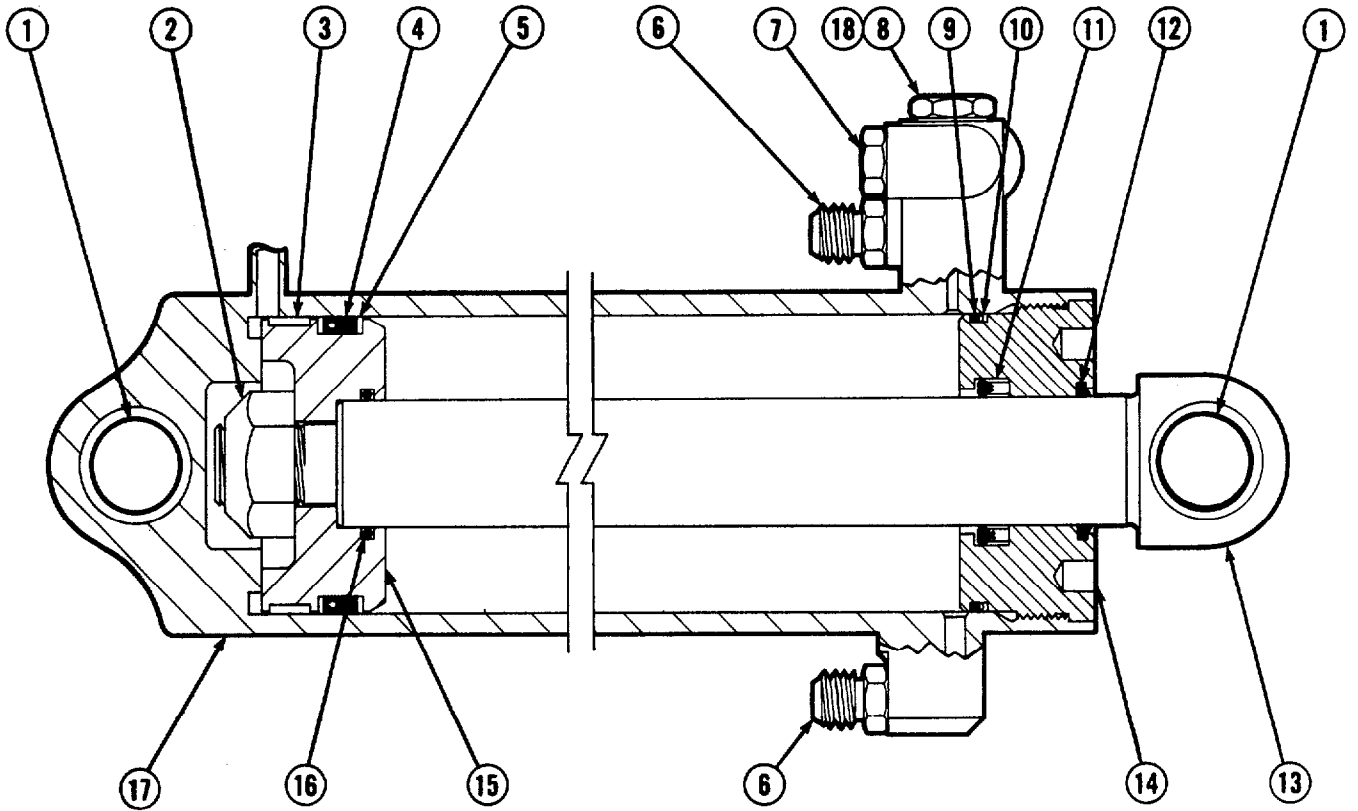
## Fixed Frame, Short Arm Link

45F			
REF	QTY	PART NO.	DESCRIPTION
	2	674851	Rod - 45" Roll <sup>□</sup>
1	2	674852	Rod - 51" Roll <sup>□</sup>

<sup>□</sup> Maximum clamp handling capacity.

2063h

# Long Arm Cylinder Fixed/Swing Frame

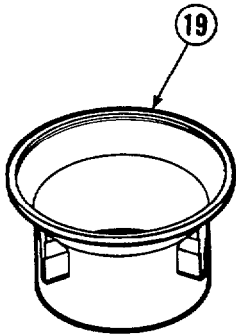
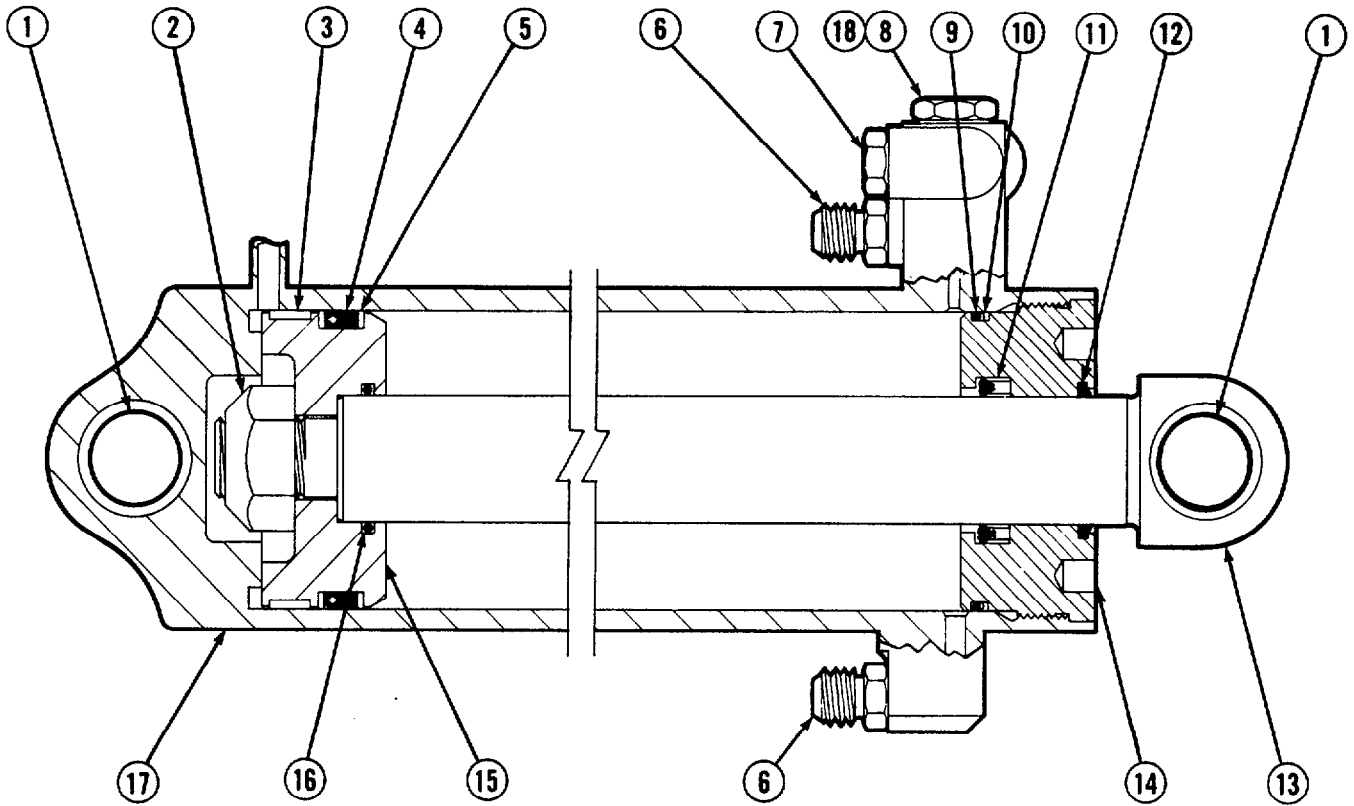


45F			
REF	QTY	PART NO.	DESCRIPTION
		555153	Cylinder Assembly
1	3	674840	Bearing
2	1	667990	Nut
●3	1	660767	Bearing
●4	1	662460	Seal
●5	2	638293	Backup Ring
6	2	604511	Fitting, 6-6
7	1	611314	Fitting, 6
8	1	554278	Check Valve
●9	1	2797	O-Ring
●10	1	615140	Backup Ring
●11	1	554598	Seal
●12	1	628047	Wiper
13	1	555220	Rod
14	1	555207	Retainer
15	1	555226	Piston
●16	1	2722	O-Ring
17	1	555219	Shell
18	1	667516	Service Kit
19	1	672909	Seal Loader
		555227	Service Kit

2063i

● Included in Service 555227.

# Long Arm Cylinder Swing Frame

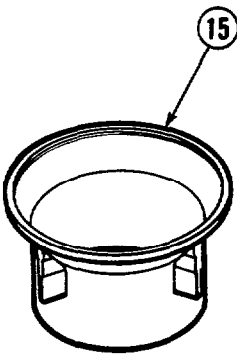
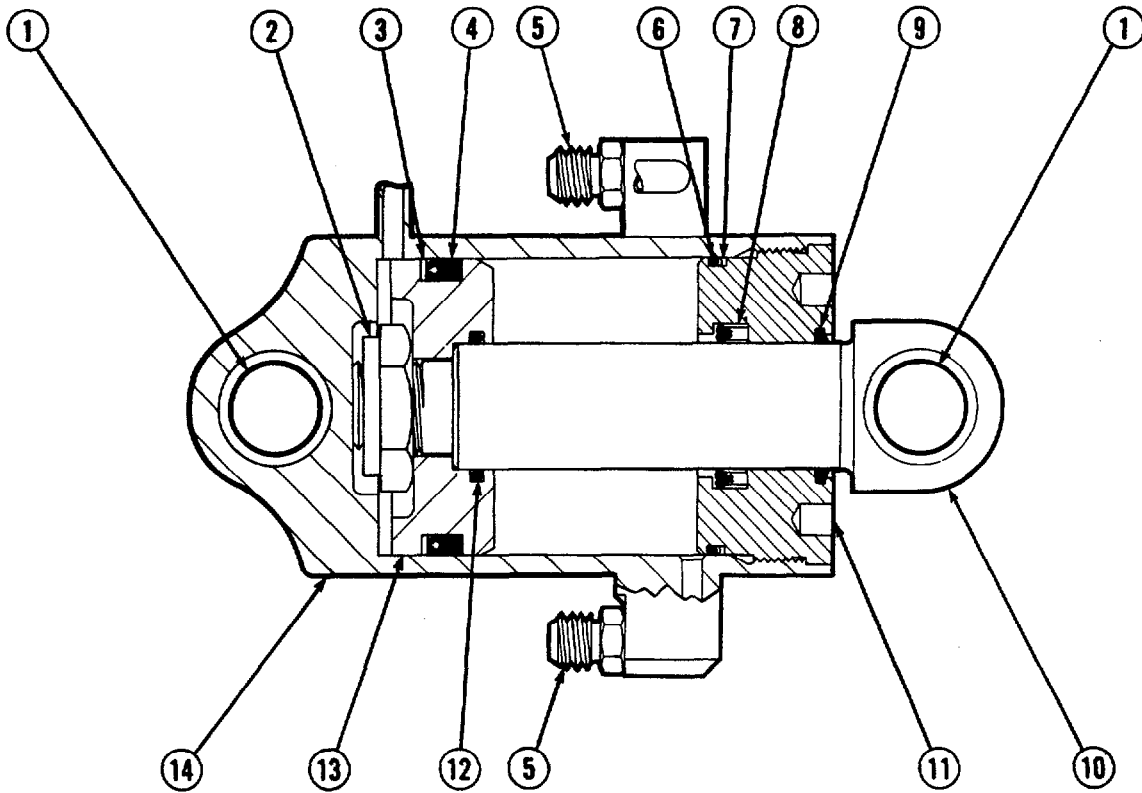


45F			
REF	QTY	PART NO.	DESCRIPTION
		555154	Cylinder Assembly
1	3	674840	Bearing
2	1	667990	Nut
●3	1	660767	Bearing
●4	1	662460	Seal
●5	2	638293	Backup Ring
6	2	604511	Fitting, 6-6
7	1	611314	Fitting, 6
8	1	554278	Check Valve
●9	1	2797	O-Ring
●10	1	615140	Backup Ring
●11	1	554598	Seal
●12	1	628047	Wiper
13	1	555236	Rod
14	1	555207	Retainer
15	1	555226	Piston
●16	1	2722	O-Ring
17	1	555235	Shell
18	1	667516	Service Kit
19	1	672909	Seal Loader
		555227	Service Kit

2063v

● Included in Service 555227.

# Swing Cylinder



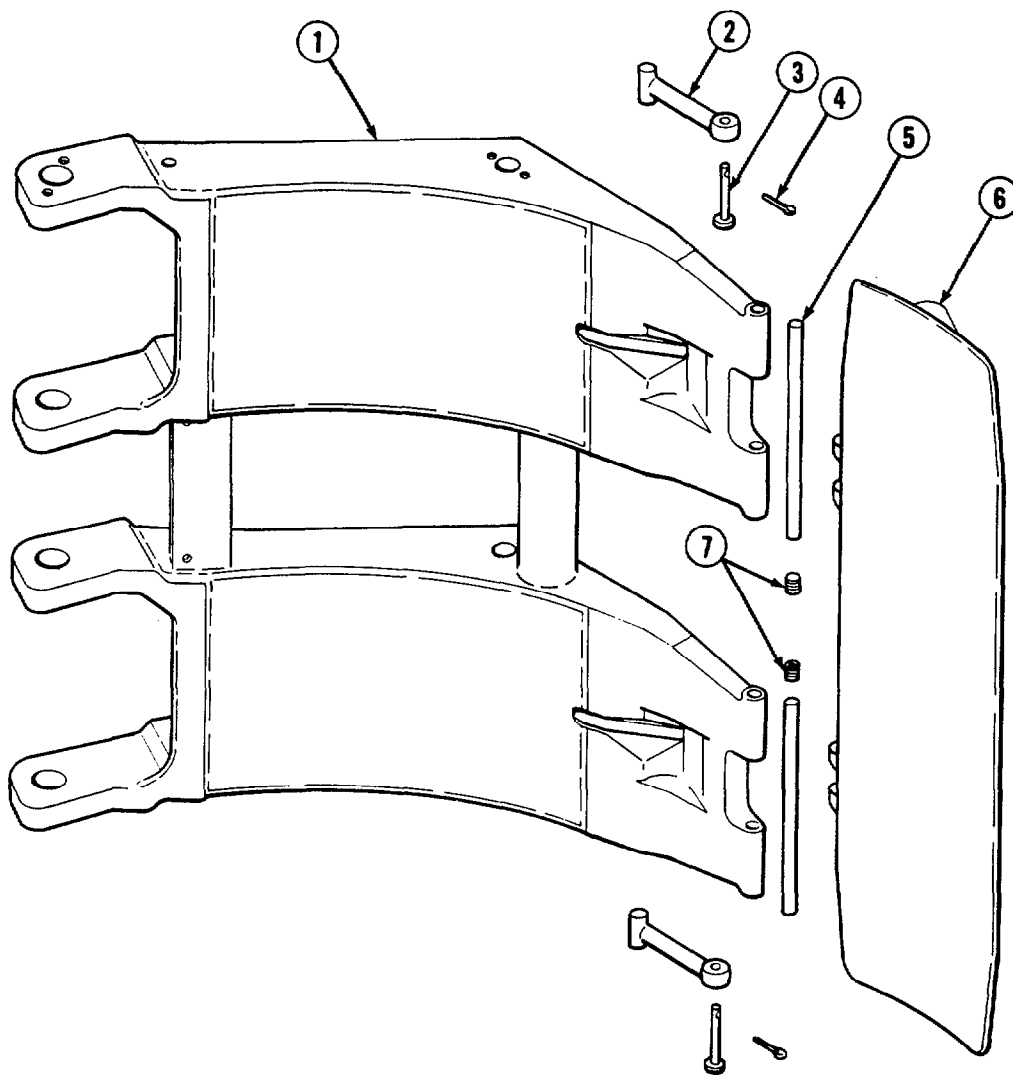
45F			
REF	QTY	PART NO.	DESCRIPTION
		555152	Cylinder Assembly
1	3	674840	Bearing
2	1	555010	Nut
●3	1	638293	Backup Ring
●4	1	662460	Seal
5	2	604511	Fitting, 6-6
●6	1	2797	O-Ring
●7	1	615140	Backup Ring
●8	1	554598	Seal
●9	1	628047	Wiper
10	1	555199	Rod
11	1	555207	Retainer
●12	1	2722	O-Ring
13	1	555205	Piston
14	1	555198	Shell
15	1	672909	Seal Loader
		555208	Service Kit

2063k

● Included in Service Kit 555208.



# Short Arm Fixed/Swing Frame

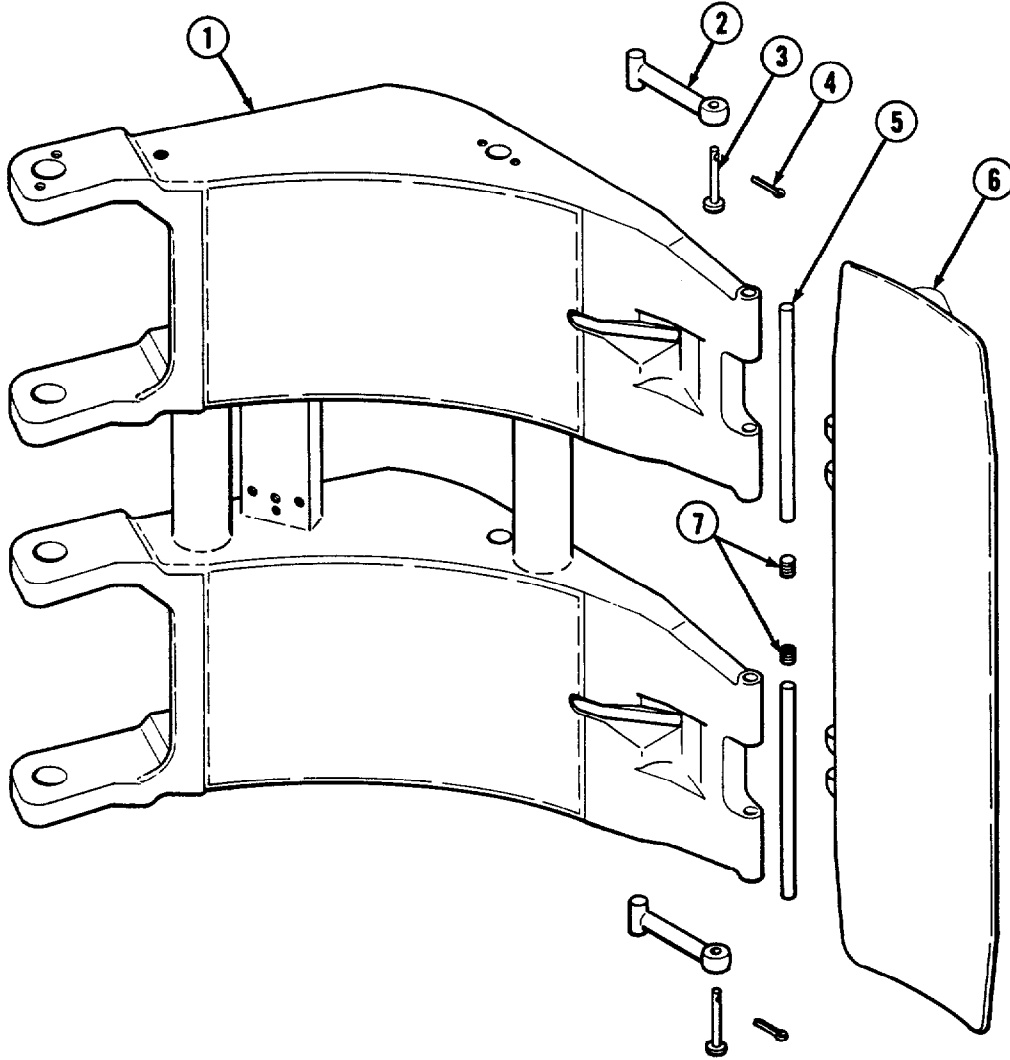


<b>45F</b>				
REF	QTY	45" Roll <sup>□</sup> PART NO.	51" Roll <sup>□</sup> PART NO.	DESCRIPTION
1	1	670704	674771	Arm Assembly
2	2	674700	674700	Link
3	2	674265	674265	Clevis Pin
4	2	6525	6525	Cotter Pin
5	2	674701	674701	Pin
6	1	674702	674702	Contact Pad
7	2	6609	6609	Plug

□ Maximum clamp handling capacity.

20630

# Long Arm Fixed/Swing Frame

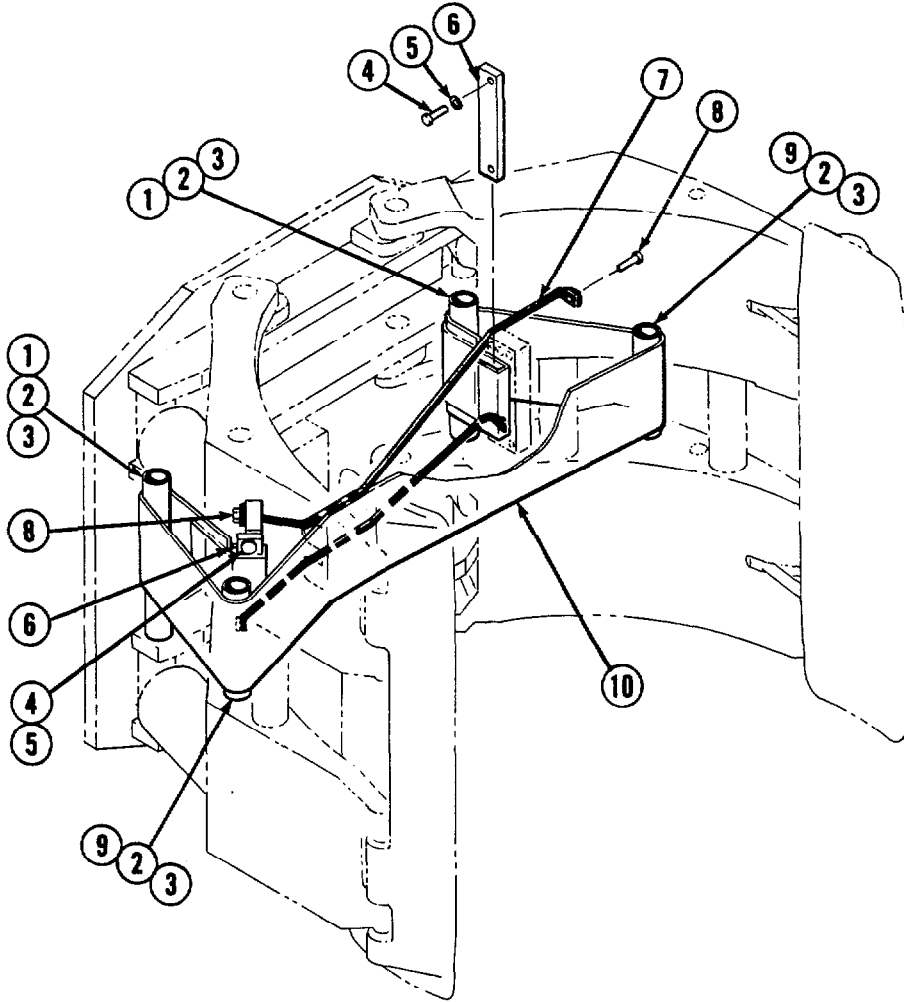


45F						
		Fixed Frame		Swing Frame		
		45" Roll □	51" Roll □	45" Roll □	51" Roll □	
REF	QTY	PART NO.	PART NO.	PART NO.	PART NO.	DESCRIPTION
		674716	674786	674725	674814	Arm Assembly
1	1	674717	674784	674727	674812	Arm
2	2	674700	674700	674700	674700	Link
3	2	674265	674265	674265	674265	Clevis Pin
4	2	6525	6525	6525	6525	Cotter Pin
5	2	674701	674701	674701	674701	Pin
6	1	674702	674702	674702	674702	Contact Pad
7	2	6609	6609	6609	6609	Plug

2063q

□ Maximum clamp handling capacity.

# Adjustable Bumper Group Fixed Frame

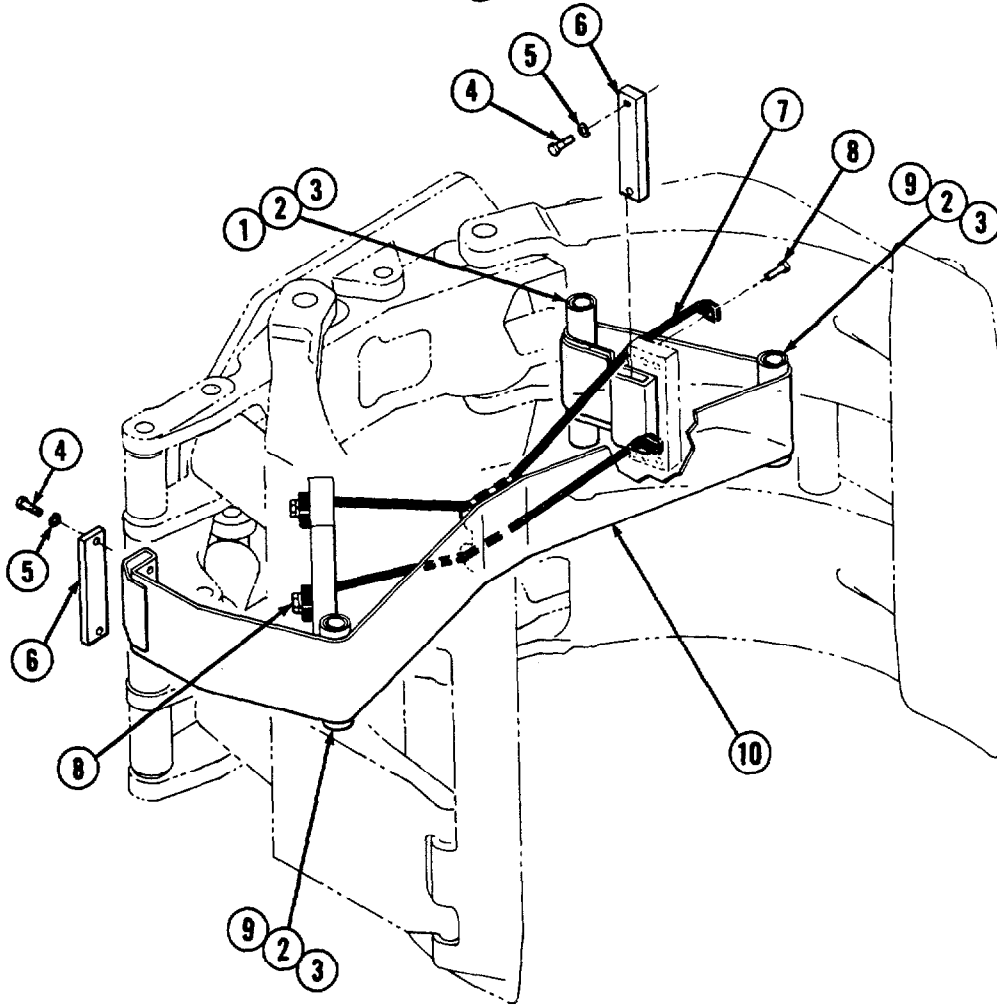


<b>45F</b>			
REF	QTY	PART NO.	DESCRIPTION
		674867	Bumper Group - 45" Roll □
		674868	Bumper Group - 51" Roll □
1	2	674846	Roller
2	8	674848	Bearing
3	12	674837	Shim
4	4	3655	Capscrew, 1/2 NC x 1.5
5	4	6455	Lockwasher
6	2	674850	Bar
7	2	674849	Tie Down
8	4	669351	Capscrew
9	2	674847	Roller
10	1	674841	Belt - 45" Roll □
	1	674842	Belt - 51" Roll □

20631

□ Maximum clamp handling capacity.

# Adjustable Bumper Group Swing Frame



<b>45F</b>			
REF	QTY	PART NO.	DESCRIPTION
		674864	Bumper Group - 45" Roll <input type="checkbox"/>
		674865	Bumper Group - 51" Roll <input type="checkbox"/>
1	1	674846	Roller
2	6	674848	Bearing
3	6	674837	Shim
4	4	3655	Capscrew, 1/2 NC x 1.5
5	4	6455	Lockwasher
6	2	674850	Bar
7	2	674849	Tie Down
8	4	669351	Capscrew
9	2	674847	Roller
10	1	674841	Belt - 45" Roll <input type="checkbox"/>
	1	674842	Belt - 51" Roll <input type="checkbox"/>

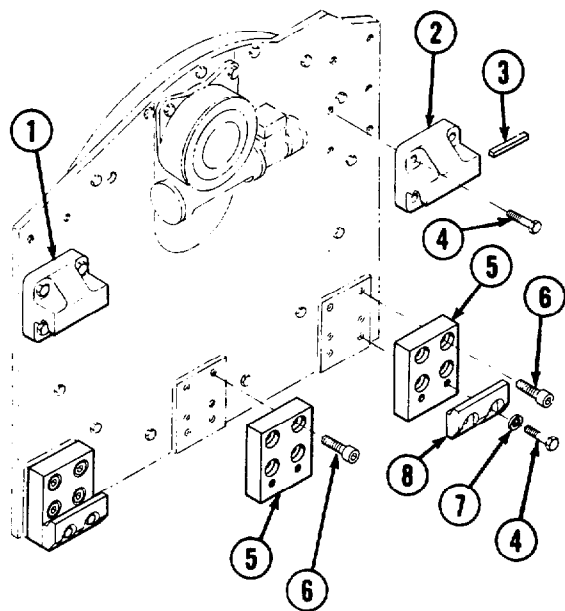
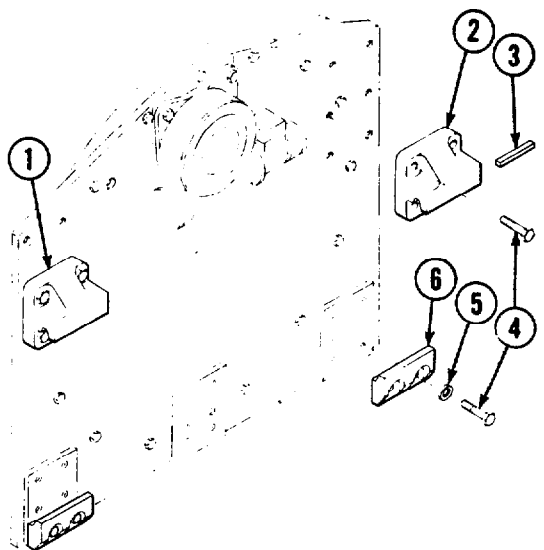
20631

Maximum clamp handling capacity.

# Mounting Groups

45F Class II, 4°			
REF	QTY	PART NO.	DESCRIPTION
		670519	Mounting Group
1	1	670523	Upper Hook - L.H.
2	1	670524	Upper Hook - R.H.
3	1	669344	Stop Kit
4	12	667765	Capscrew, 5/8 NC x 1.5 GR5
5	4	667225	Washer
6	2	667370	Lower Hook

2063m



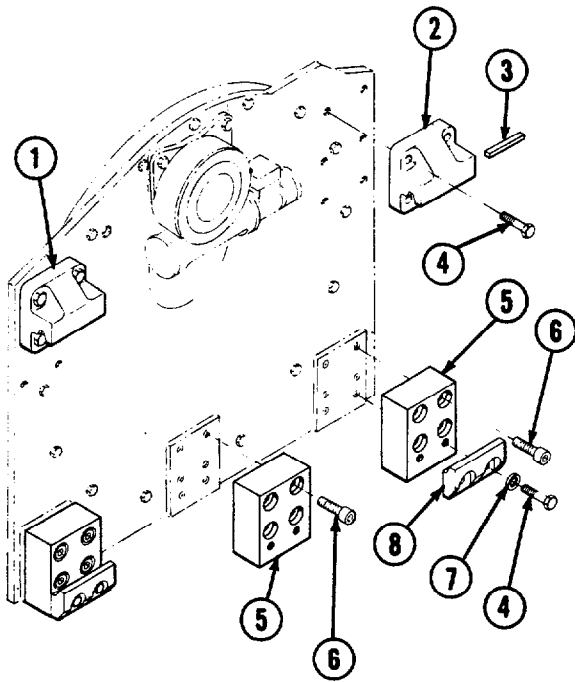
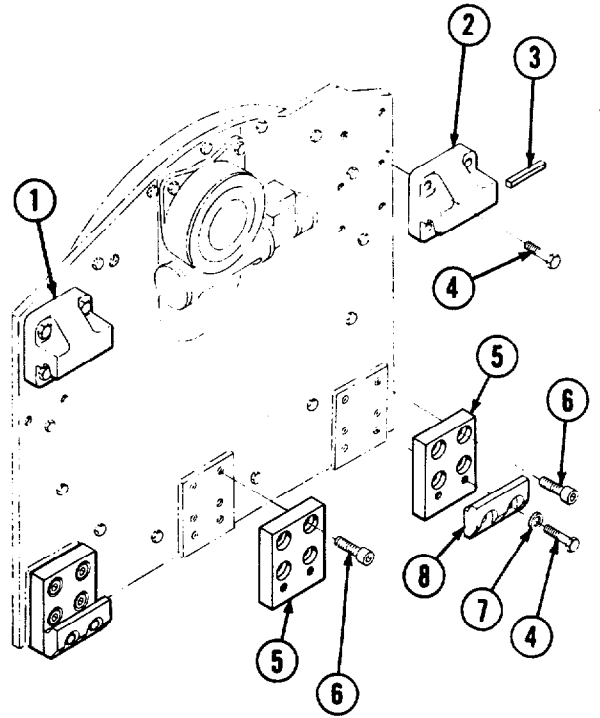
45F Class II, 0°			
REF	QTY	PART NO.	DESCRIPTION
		670520	Mounting Group
1	1	670523	Upper Hook - L.H.
2	1	670524	Upper Hook - R.H.
3	1	669344	Stop Kit
4	12	667765	Capscrew, 5/8 NC x 1.5 GR5
5	3	670526	Adapter Plate
6	12	622467	Capscrew, 5/8 NC x 1.25
7	4	667225	Washer
8	2	667370	Lower Hook

2063m

# Mounting Groups

45F Class III, 4°			
REF	QTY	PART NO.	DESCRIPTION
		670521	Mounting Group
1	1	670527	Upper Hook - L.H.
2	1	670528	Upper Hook - R.H.
3	1	669344	Stop Kit
4	12	667369	Capscrew, 5/8 NC x 1.25 GR5
5	3	670530	Adapter Plate
6	12	622467	Capscrew, 5/8 NC x 1.25
7	4	667225	Washer
8	2	667371	Lower Hook

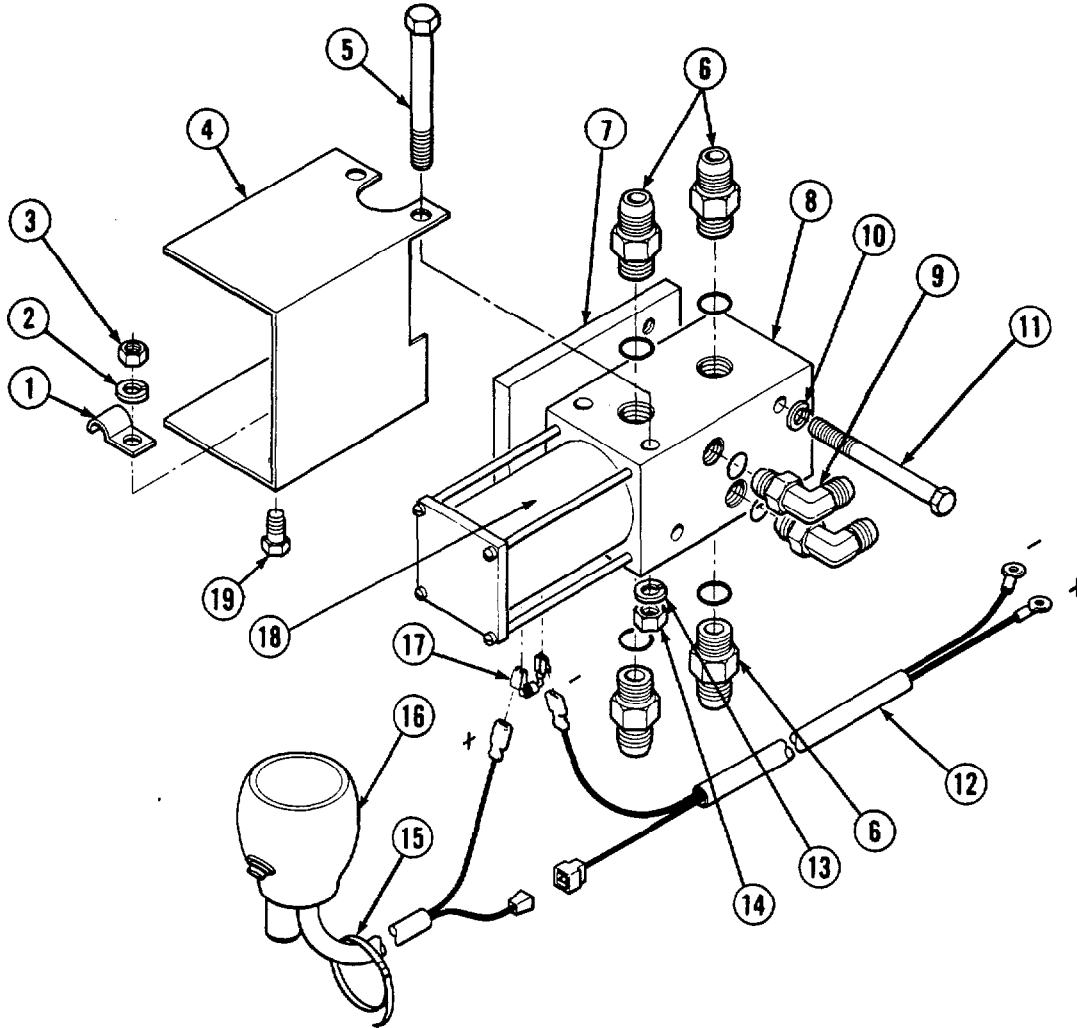
2063n



45F Class III, 0°			
REF	QTY	PART NO.	DESCRIPTION
		670522	Mounting Group
1	1	670527	Upper Hook - L.H.
2	1	670528	Upper Hook - R.H.
3	1	669344	Stop Kit
4	12	667369	Capscrew, 5/8 NC x 1.25 GR5
5	3	670532	Adapter Plate
6	12	624337	Capscrew, 5/8 NC x 2.25
7	4	667225	Washer
8	2	667371	Lower Hook

2063n

# Solenoid Valve Group



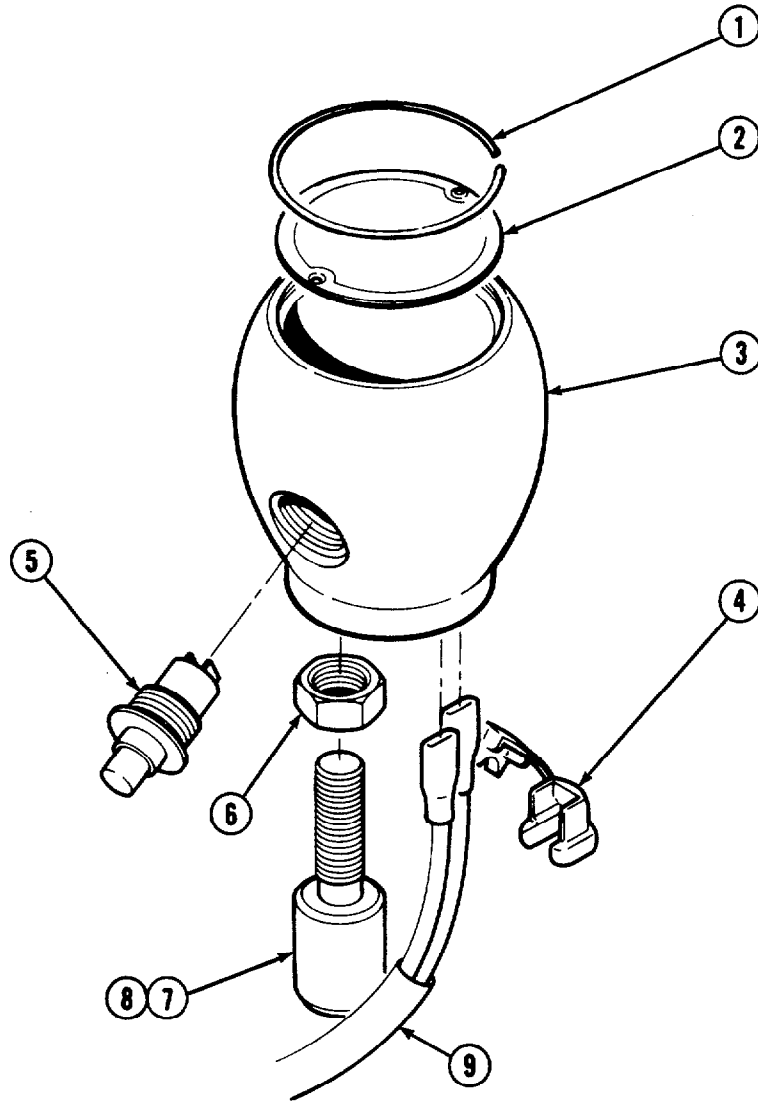
45F			
REF	QTY	PART NO.	DESCRIPTION
		674924	Solenoid Valve Group -12V
		674925	Solenoid Valve Group - 24V
		674926	Solenoid Valve Group - 36V
		674927	Solenoid Valve Group - 48V
1	1	665112	Clip
2	1	6286	Lockwasher
3	1	5900	Nut, 1/4 NC
4	1	675074	Cover
5	1	3585	Capscrew, 5/16 NC x 3.00
6	4	611288	Fittings, 6 - 8
7	1	665885	Mounting Plate
●8	1	614089	Solenoid Valve -12V
●8	1	614091	Solenoid Valve - 24V
●8	1	614092	Solenoid Valve - 36V
●8	1	614093	Solenoid Valve - 48V
9	2	601676	Fittings, 6 - 6
10	2	6257	Lockwasher
11	2	3562	Capscrew, 1/4 NC x 2.75
12	1	675077	Cord
13	2	6258	Lockwasher
14	2	5901	Nut, 5/16 NC
15	1	665249	Tie
■16	1	665075	Control Knob
17	1	669432	Diode
18	1	665044	Coil -12V
18	1	665045	Coil - 24V
18	1	665046	Coil - 48V
18	1	665047	Coil - 48V
19	1	3551	Capscrew, 1/4 NC x .50

● Includes item 18.

■ See page 23 for parts breakdown.

2063z

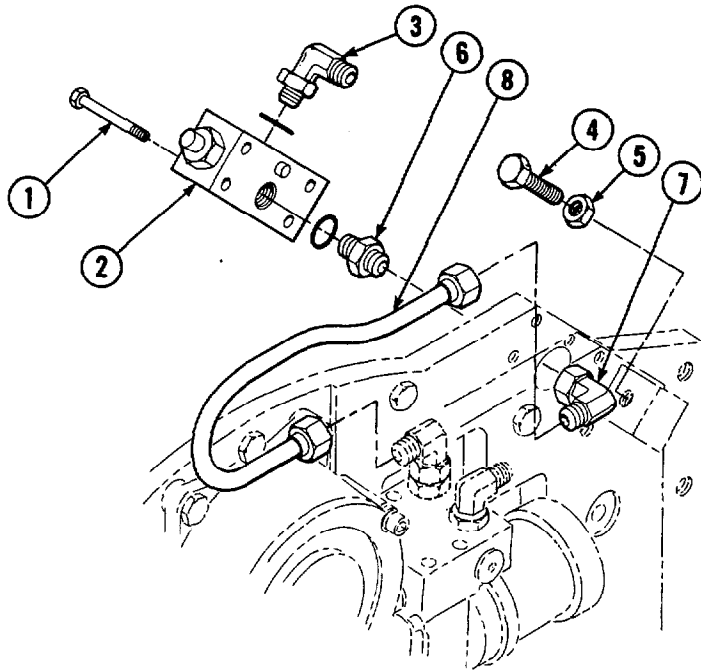
# Control Knob



45F			
REF	QTY	PART NO.	DESCRIPTION
		665075	Control Knob
1	1	665250	Snap Ring
2	1	675131	Cover
3	1	665012	Knob
4	1	665076	Strain Relief
5	1	665004	Switch
6	1	5902	Nut, 3/8 NC
7	1	665081	Adapter, 3/8 NC
8	1	672087	Adapter, 1/2 NC
9	1	665077	Cable Assembly

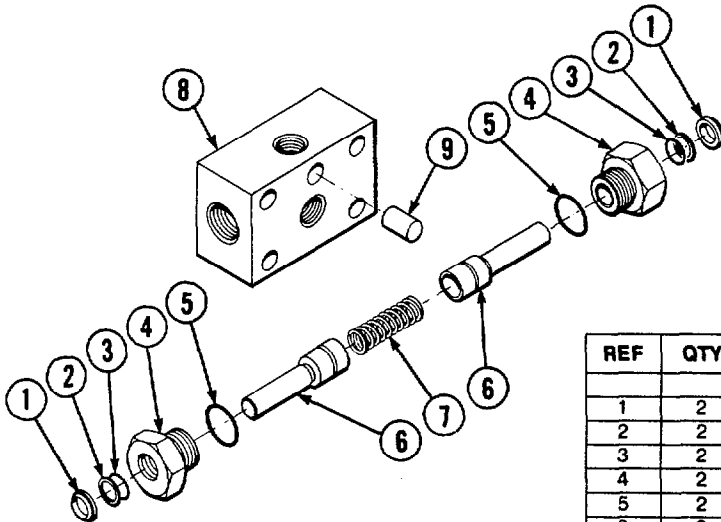
2063x

# 180° Stop Group



45F			
REF	QTY	PART NO.	DESCRIPTION
		670545	Stop Group
1	4	670544	Capscrew, 3/8 NC x 1.75
2	1	670537	Valve Assembly
3	1	651303	Fitting
4	2	3735	Capscrew, 3/4 NC x 1.75
5	2	5933	Nut, 3/4 NC
6	1	662187	Fitting
7	1	605761	Fitting
8	1	670543	Tube Assembly

2063y



REF	QTY	PART NO.	DESCRIPTION
		670537	Stop Valve Assembly
1	2	670541	Wiper Ring
2	2	615006	Back-up Ring
3	2	2702	O-Ring
4	2	670540	Gland
5	2	2841	O-Ring
6	2	670539	Plunger
7	1	670542	Spring
8	1	670538	Body
9	1	611210	Pin

2063y

# Recommended Spare Parts List

<b>45F PAPER ROLL CLAMPS</b>				
PART NO.	DESCRIPTION	ATTACHMENTS SERVICED		
		1-5	6-15	16-25
674843	<b>FRAME GROUP</b> Bushings	8	16	16
674839 674840	<b>SWING GROUP</b> Bushings Bushings	8 4	16 8	16 8
674837 674831 673385 674835 674832 660200	<b>COMMON COMPONENTS - FIXED FRAME</b> Shim Pin Drive Pin Pin Pin Shim	8 1 4 1 1 16	16 2 8 2 2 32	16 2 8 2 2 32
674759 674834 673385 674831 674833 674835 662200 674837 674832 674836	<b>COMMON COMPONENTS - SWING FRAME</b> Roller Pin Drive Pin Pin Pin Pin Shim Shim Pin Pin	2 1 5 1 1 1 16 10 1 1	4 2 10 2 2 2 32 20 2 2	4 2 10 2 2 2 32 20 2 2
674608 670506 670581 7214 643423 675329 675394 668184 675638 675637 656300	<b>DRIVE GROUP</b> Worm Pinion Bearing Snap Ring O-Ring Drive Motor Drive Motor Service Kit Sealant Bearing Service Kit Bearing Service Kit Gear Box Lube	0 0 0 2 1 0 1 1 1 1 1	1 1 1 4 2 1 2 2 2 2 2	2 2 2 4 2 1 2 2 2 2 2
674806	<b>REVOLVING CONNECTION - FIXED FRAME</b> Shaft Service Kit	1	2	2
674777 667516	<b>REVOLVING CONNECTION - SWING FRAME</b> Shaft Service Kit Check Valve Service Kit	1 2	2 4	2 4
555227 667516	<b>SHORT AND LONG ARM CYLINDER</b> Cylinder Service Kit Check Valve Service Kit	2 2	4 4	4 4
555208	<b>SWING CYLINDER</b> Cylinder Service Kit	1	2	2
674701 674702	<b>SHORT AND LONG ARM</b> Pin Contact	2 0	4 1	4 2
669344	<b>STOP KIT</b> Stop Kit	1	2	2
668209	<b>PAINT, CASCADE YELLOW</b> 12 oz. Aerosol Can	1	2	2
674512 674510 674511 674509 676268	<b>PUBLICATIONS</b> Service Manual Installation Instructions - Fixed Frame Installation Instructions - Swing Frame Operator's Guide - Fixed Frame Operator's Guide - Swing Frame	1 1 1 1 1	1 1 1 1 1	1 1 1 1 1

2063u



**Do you have questions you need answered right now?** Call your nearest Cascade Parts Department.

**Cascade Corporation**  
2501 Sheridan Avenue  
P.O. Box 360  
Springfield, Ohio 45505  
Tel.: (513)322-1199  
Telex: 205413

**Cascade Scandinavia  
Hydraulik A. B.**  
Musköetgatan 17-(E.8-9)  
252 55 Helsingborg  
Sweden  
Tel.: 042-151135  
Telex: 72565 caschbg s

**Cascade Hydraulics Ltd.**  
7615 Kimbel Street  
Mississauga, Ontario  
Canada L5S-1A8  
Tel: 416/677-9695  
Direct Parts Line:  
416/677-9686  
416/677-9684  
Te/Ac: 06-968715

**Cascade Japan Ltd.**  
4-1, 1-Chome,  
Shin Senri Higashimachi  
Toyonaka, Osaka 565  
Japan  
Tel.: 06-835-2900  
Te/Ac: 781-5287115 Cascade J  
Cable: Cascadecfe, Osaka

**Cascade N.V.  
European Headquarters**  
P.O. Box 50086  
1305 AB Almere-Haven  
Achterwerf 240  
1357 CB Almere-Haven  
The Netherlands  
Tel.: 03240-92911  
Telex: 40838 case nl

**Cascade France S.A.R.L.**  
11, rue Jean Charcot  
Zone Industrielle Sud  
B.P. 22  
91421 Morangis Cedex  
France  
Tel.: 06-9091139  
Telex: cascade 690016f

**Cascade Materials Handling  
(Aust.) Pty. Ltd.  
(Incorporated in N.S.W.)**  
P.O. Box 67  
Ermington, 2115 N.S.W.  
Australia  
Tel.: 02-648-2571  
Te/Ac: (790)24302  
Cable: Cascaus

**Cascade N.V.  
Benelux Sales and Service**  
P.O. Box 170  
1110 AD Diemen  
Weesperstraat 110  
1112 AP Diemen  
The Netherlands  
Tel.: 020-906411  
Telex: 14495 casc nl

**Cascade (Iberia) S.A.**  
Nave Industrial  
Calle Cromo 99/Nave G  
Hospitalet de Llobregat  
(Barcelona)  
Spain  
Tel.: 93-3350567  
Telex: 54018 casc e

**Cascade Materials Handling  
(Aust.) Pty. Ltd.**  
44E Winterton Road  
Clayton, Victoria 3168  
Australia  
Tel.: 03-543-4344  
Cable: Casmel

**Cascade GmbH**  
Klosterhofweg 52  
4050 Mönchengladbach 3  
B.R. Deutschland  
Tel.: 02166-602091  
Telex: 852812 casc d

**Cascade (UK) Ltd.**  
15, Orgreave Crescent  
Dore House Industrial Estate  
Handsworth  
Sheffield S13 9NQ  
England  
Tel.: 0742-697524/5/6/7  
Telex: 547254 cascs h g

**Cascade (Africa) Pty. Ltd.**  
P.O. Box 625  
15 Power Street  
Isando 1600  
South Africa  
Tel.: 011-974-5611/2/3/4/5  
Telex: 4-29718 S.A.

