



Parts Manual

Model Single-Double Pallet Handler

Serial Number 55E-FDS-229

cascade[®]

For Technical Assistance call: 800-227-2233, Fax: 888-329-8207

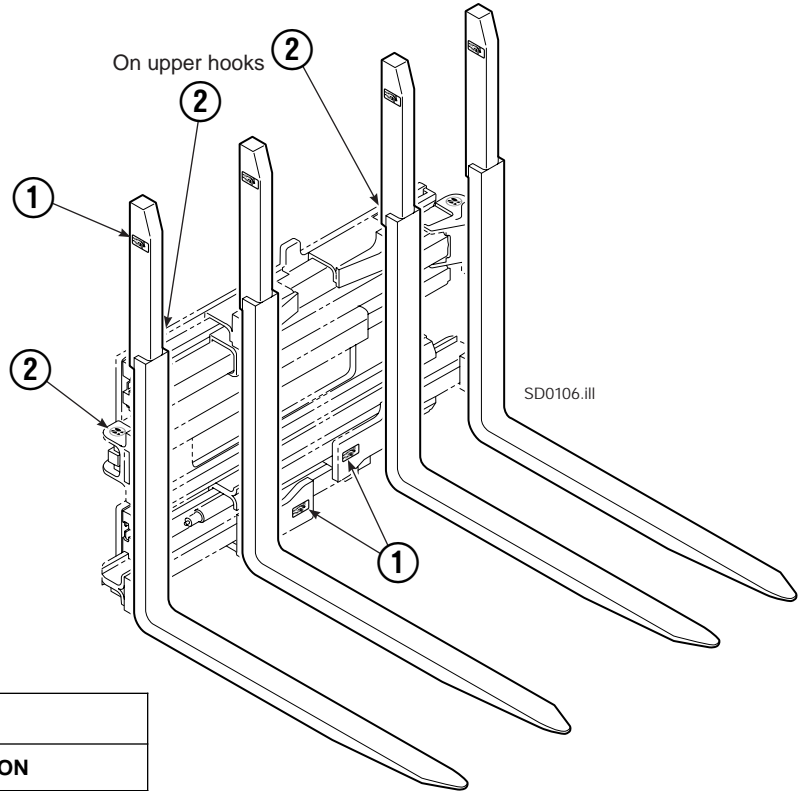
To Order Parts call: 888-227-2233, Fax: 888-329-0234

OR

Write: Cascade Corporation, P.O. Box 20187, Portland, OR 97220

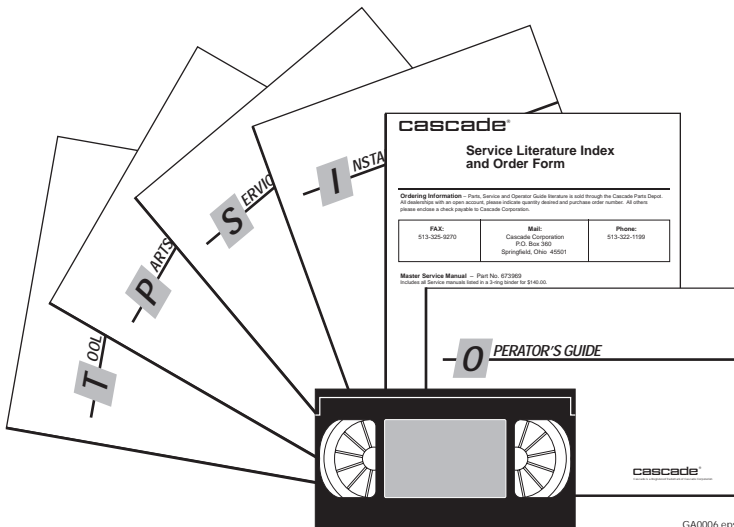
Internet: www.cascorp.com

Decals



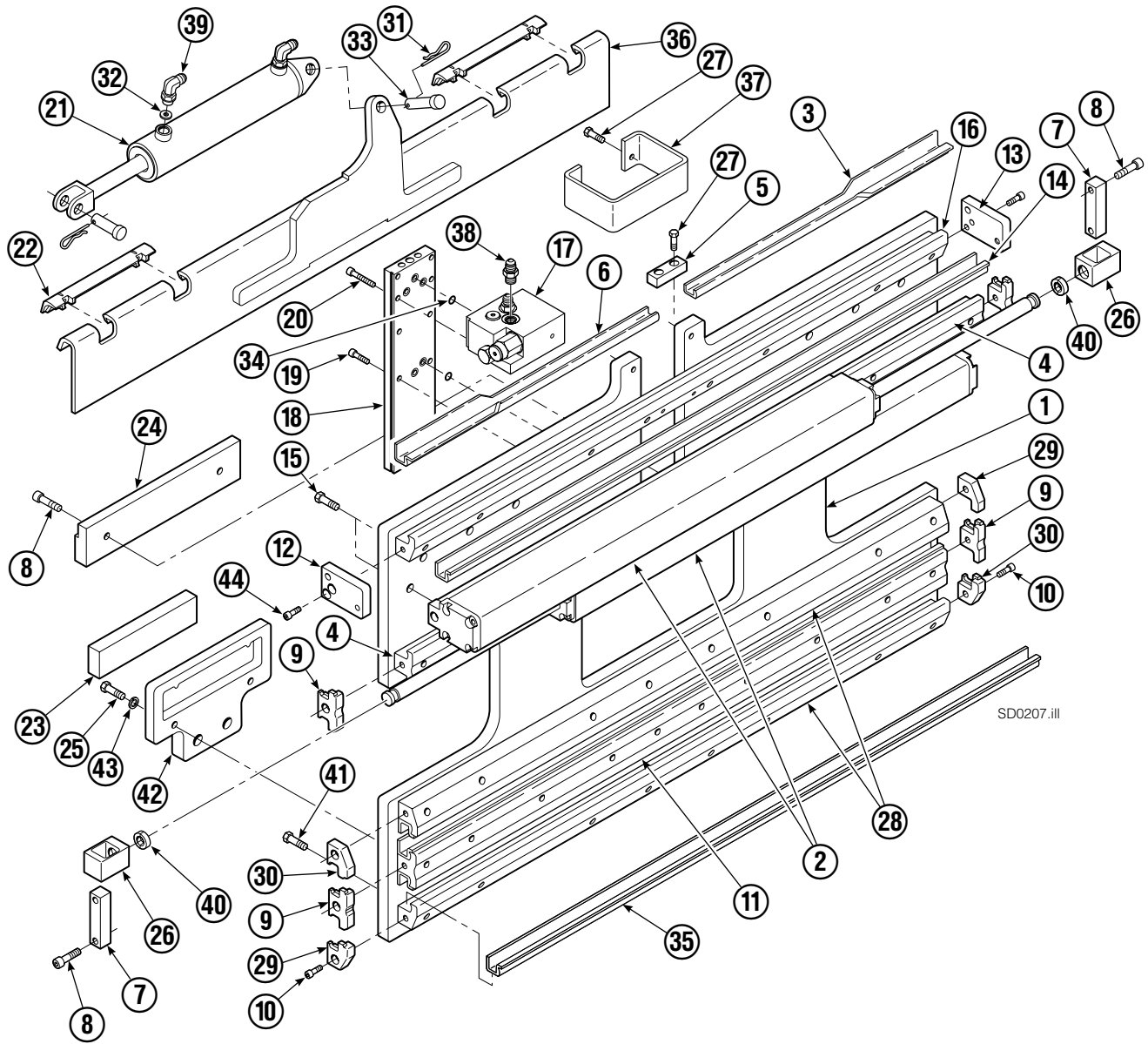
55E			
REF	QTY	PART NO.	DESCRIPTION
1	6	665595	No Hand Hold Decal
2	4	679150	No Step Decal

Publications

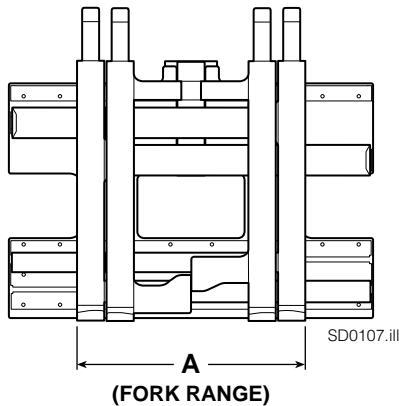


55E	
PART NO.	DESCRIPTION
214269	Parts Manual
213580	Operator's Guide
213372	Installation Instructions
679929	Tool Catalog
673964	Literature Index Order Form

Base Unit Group – ITA Class III



Base Unit Group – ITA Class III



NOTE: Position the outer forks to minimum width and measure **A** to determine minimum outer fork outside to outside (OTO) range.

55E			
		DIMENSION – A	
		MINIMUM OTO FORK RANGE	
		31.9 in. (810 mm)	
REF	QTY	PART NO.	DESCRIPTION
		3018155	Base Unit Group – Class III
1	1	220016	Baseplate
2	2	214624	Frame Cylinder ★
3	1	4786-0413	Bearing Segment – LH
4	2	214629	T-Bar – Upper
5	1	212724	Fork Stop
6	1	4787-0413	Bearing Segment – RH

Common Parts

REF	QTY	PART NO.	DESCRIPTION	REF	QTY	PART NO.	DESCRIPTION
7	2	210489	Rod End Anchor	26	2	209741	Rod End
8	4	768303	Capscrew, M10 x 35	27	4	684649	Capscrew, M10 x 25
9	4	210140	Bearing Retainer	28	2	214633	T-Bar – Lower
10	12	787375	Capscrew, M8 x 20 GR 8.8	29	2	212585	Bearing Retainer
11	1	214631	T-Bar – Lower	30	2	212586	Bearing Retainer
12	1	220009	Retainer/Stop – RH	31	2	672726	Cotter Pin
13	1	220008	Retainer/Stop – LH	32	1	675550	Washer
14	4	4730-1050	Bearing Segment	33	2	206926	Clevis Pin
15	14	211689	Capscrew, M12 x 30 GR 10.9	34	7	214053	O-Ring
16	1	220143	T-Bar – Upper	35	4	4730-1040	Bearing Segment
17	1	216838	Valve Assembly ▲	36	1	211371	Anchor Bracket
18	1	211456	Manifold	37	1	212741	Valve Guard
19	6	768208	Capscrew, M8 x 25	38	2	604511	Fitting, 6-6 ◆
20	4	768795	Capscrew, M8 x 30	39	2	601676	Fitting, 6-6 ◆
21	1	675548	Sideshift Cylinder ●	40	4	210490	Retainer Half Ring
22	2	672018	Upper Bearing	41	37	214487	Capscrew
23	2	208350	Lower Bearing	42	2	215226	Hanger
24	1	218208	Spacer Block	43	4	787383	Lockwasher, M10
25	2	767615	Capscrew, M10 x 25	44		--	Capscrew

★ See Frame Cylinder page for parts breakdown.

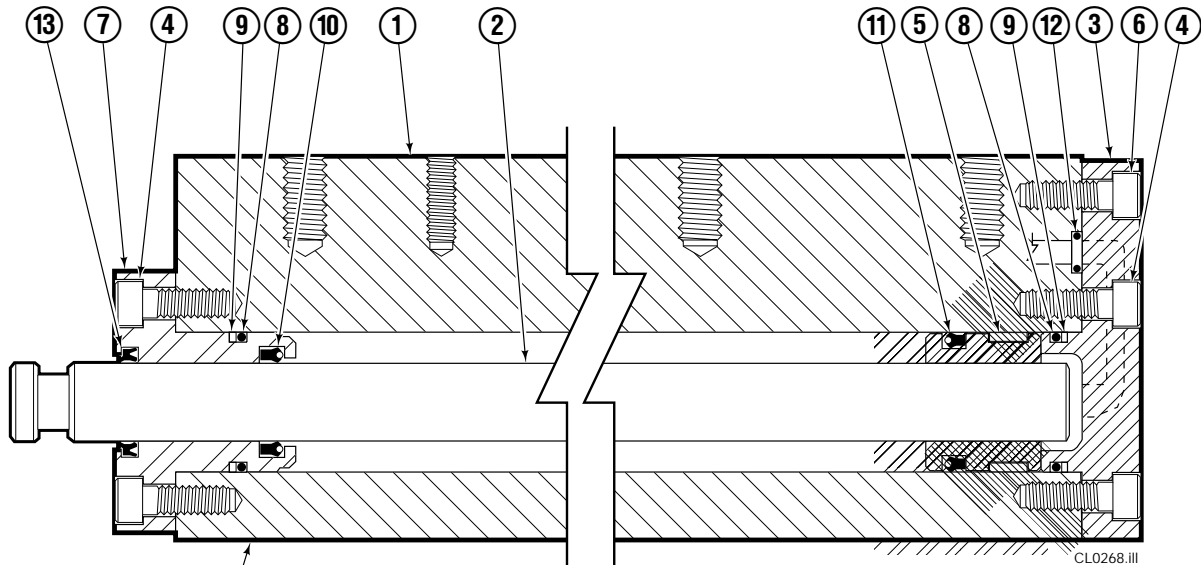
● See Sideshift Cylinder page for parts breakdown.

▲ See Valve Assembly – Class III page for parts breakdown.

◆ Included in Fitting Group 213099.

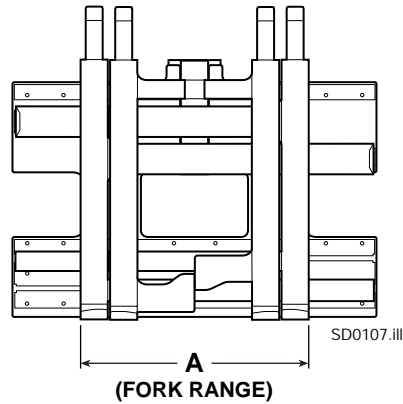
Reference: SK-6373.

Frame Cylinder



STAMPED
CYLINDER
ASSEMBLY
PART NUMBER

NOTE: Position the outer forks to minimum width and measure **A** to determine minimum outer fork outside to outside (OTO) range.



55E					
		DIMENSION - A MINIMUM OTO FORK RANGE			
		26 in. (660 mm)	27.5 in. (700 mm)	31.9 in. (810 mm)	
REF	QTY	PART NO.	PART NO.	PART NO.	DESCRIPTION
		214620	214622	214624	Cylinder Assembly
1	1	214621	214623	214625	Cylinder/Shell
2	1	4157-805	4157-825	4157-880	Rod

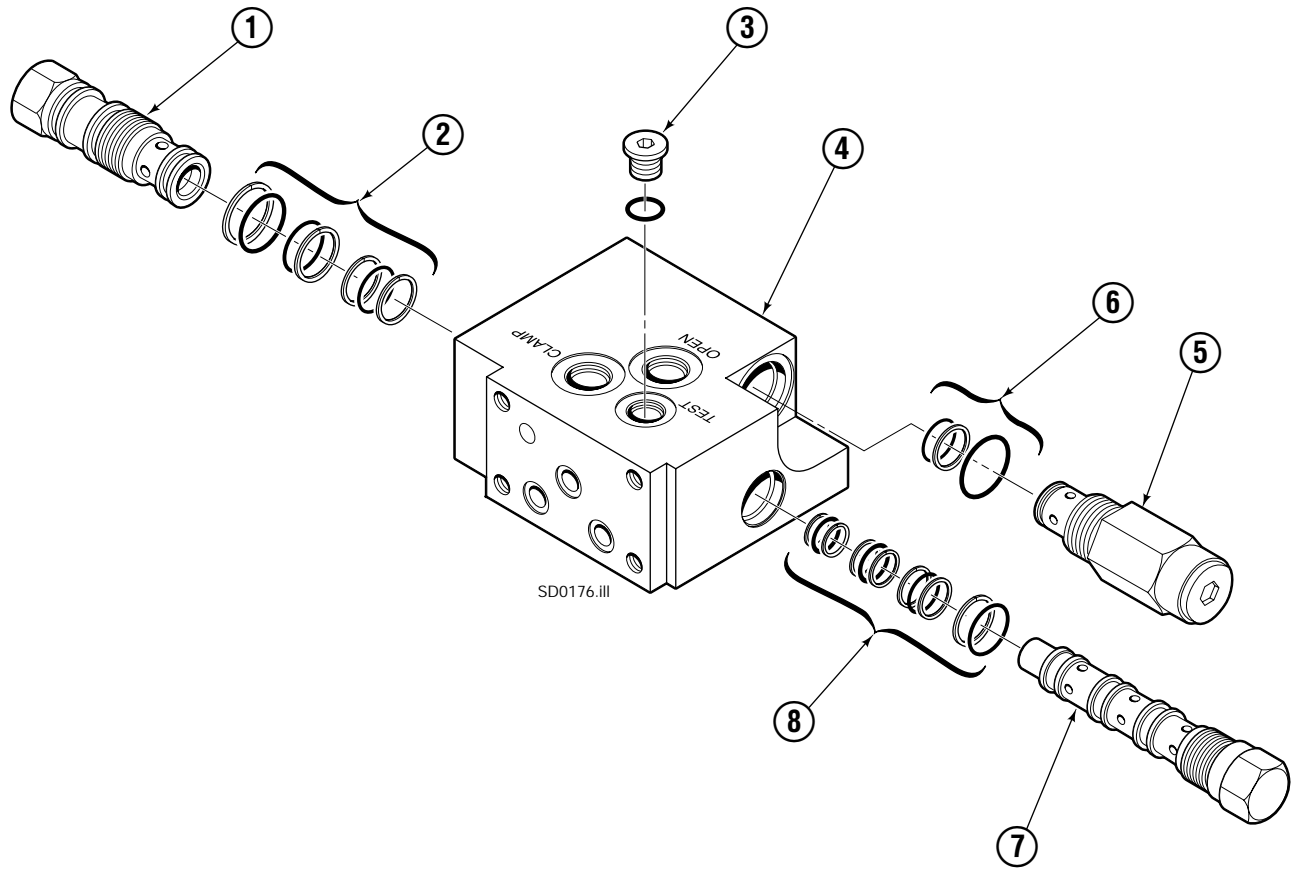
Common Parts

REF	QTY	PART NO.	DESCRIPTION	REF	QTY	PART NO.	DESCRIPTION
3	1	213783	End Cap	9	2	210050	Back-Up Ring ▲
4	8	768208	Capscrew, M8 x 25	10	1	212477	Seal ▲
5	1	209809	Bearing ▲	11	1	209808	Seal ▲
6	1	787375	Capscrew, M8 x 20	12	2	214053	O-Ring ▲
7	1	212452	Retainer	13	1	562131	Wiper ▲
8	3	643379	O-Ring ▲			210090	Service Kit

▲ Included in Service Kit 210090.

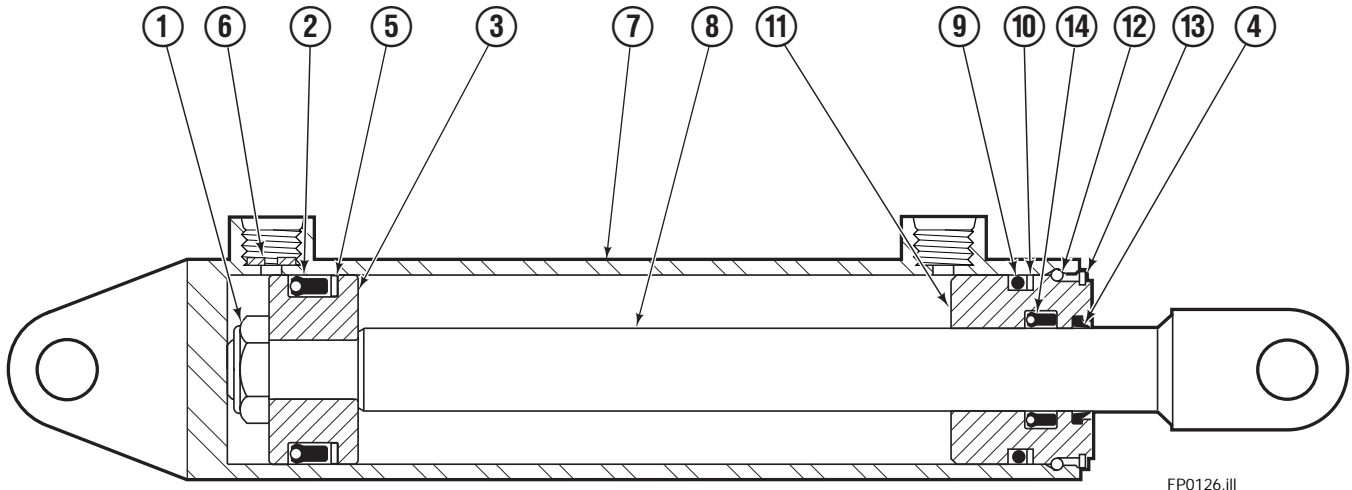
Reference: S-4643, S-4644.

Valve ITA Class III



55E			
REF	QTY	PART NO.	DESCRIPTION
		216838	Valve Assembly
1	1	219039	Check Valve
2	1	---	Service Kit
3	1	609234	Plug
4	1	216839	Valve Body
5	1	213535	Crossover Relief Valve
6	1	682170	Service Kit
7	1	219040	Flow Divider/Combiner
8	1	---	Service Kit

Sideshift Cylinder ITA Class III

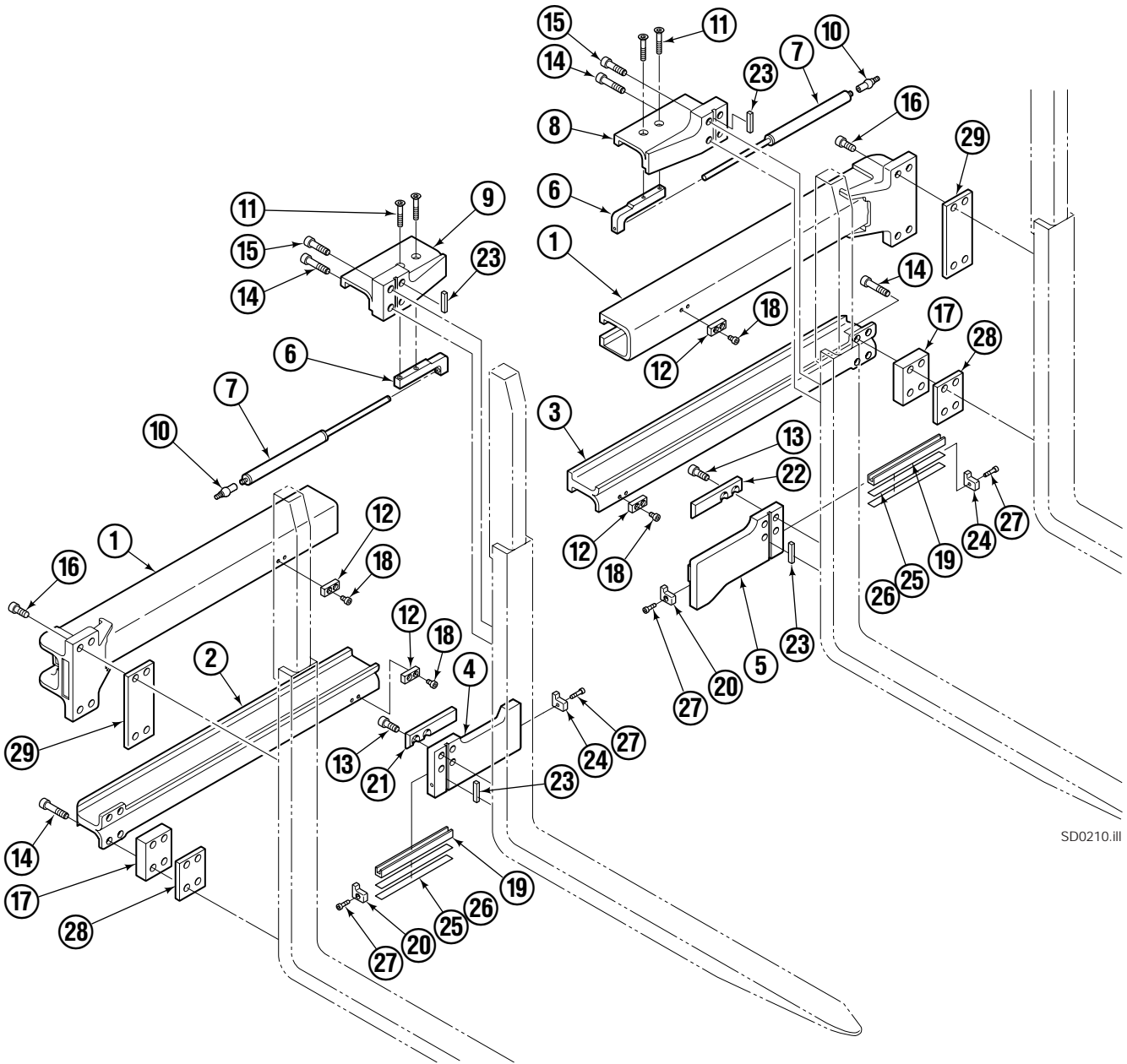


FP0126.iii

55E			
REF	QTY	PART NO.	DESCRIPTION
		675548	Cylinder Assembly
1	1	553857	Nut
■ 2	1	662452	Seal
3	1	553501	Piston
■ 4	1	636851	Wiper
■ 5	1	638247	Back-up Ring
6	1	675550	Washer (orifice .085 in.)
7	1	675549	Shell
8	1	553449	Rod
■ 9	1	2785	O-Ring
■ 10	1	615128	Back-up Ring
11	1	553500	Retainer
12	1	553856	Retaining Ring
13	1	7202	Snap Ring
■ 14	1	641835	Seal
		553861	Service Kit

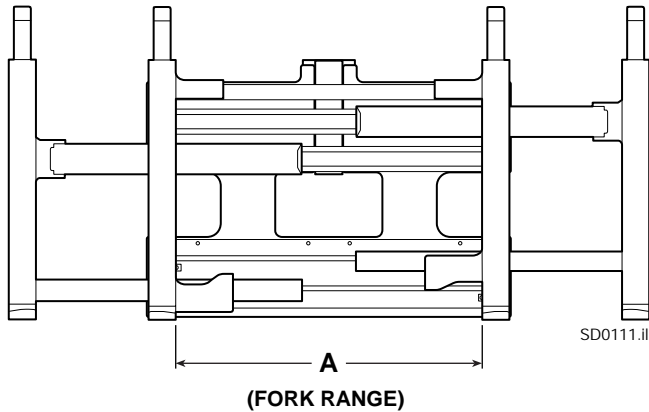
■ Included in Service Kit 553861.

Arm Group



SD0210.III

Arm Group



NOTE: Position the inner forks to maximum width and measure **A** to determine maximum inner fork inside to inside (ITI) range.

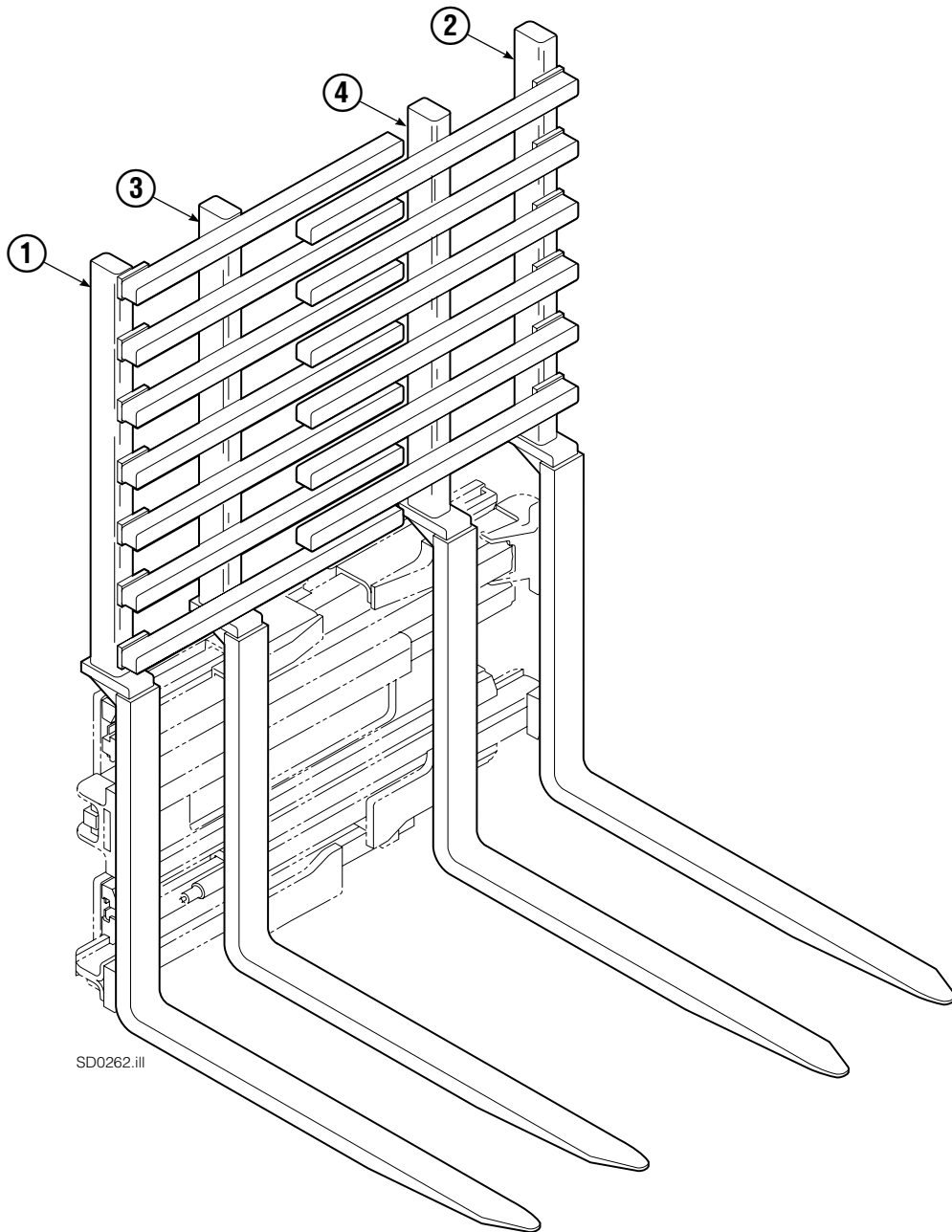
55E						
		DIMENSION – A MAXIMUM ITI FORK RANGE				
		28 in. (720 mm)	28.5 in. (730 mm)	31 in. (790 mm)	32 in. (820 mm)	
REF	QTY	PART NO.	PART NO.	PART NO.	PART NO.	DESCRIPTION
		220119	220122	220123	220120	Arm Group
1	2	220175	220176	220177	220174	Upper Arm Bar
2	1	220124	220216	220217	220213	Lower Arm Bar – RH
3	1	220204	220206	220207	220203	Lower Arm Bar – LH
4	1	220135	220136	220137	220135	Lower Hook – RH
5	1	220138	220139	220140	220138	Lower Hook – LH
6	2	10273-0243	10273-0133	10273-0178	10273-0243	Bracket
7	2	218895	219979	219979	218895	Gas Spring

Common Parts

REF	QTY	PART NO.	DESCRIPTION	REF	QTY	PART NO.	DESCRIPTION
8	1	220096	Upper Hook – LH	19	2	4501-0222	Bearing Segment
9	1	220095	Upper Hook – RH	20	2	212979	Bearing Retainer
10	2	213011	Ball Joint	21	1	212682	Bearing – RH
11	4	766646	Capscrew, M10 x 20	22	1	213899	Bearing – LH
12	4	212687	Fork Stop	23	4	213364	Key
13	8	769574	Capscrew, M16 x 35	24	2	213360	Bearing Retainer
14	12	769578	Capscrew, M16 x 60	25	4	212559	Shim, .04 in. (1 mm)
15	4	769577	Capscrew, M16 x 50	26	4	213913	Shim, .02 in. (.5 mm)
16	8	769573	Capscrew, M16 x 30	27	4	787375	Capscrew, M8 x 20
17	2	210587	Spacer	28	4	797611	Spacer
18	4	214414	Capscrew, M10 x 12	29	4	797610	Spacer

Reference: SK-6373 and 6374. Common Parts Group 220285.

Interlocking Backrest/Fork Group



SD0262.ill

REF	QTY	PART NO.	DESCRIPTION
		3018171	Fork Group
1	1	3018157	Outer Fork - RH
2	1	3018156	Outer Fork - LH
3	1	3018159	Inner Fork - RH
4	1	3018158	Inner Fork - LH

Reference: S-4555, S-4560, S-4559, S-4554, S-4563, S-4558.

Mounting Group ITA Class III



SD0224.ill

55E			
REF	QTY	ITA III PART NO.	DESCRIPTION
		212574	Upper Hook Group ▲
		211175	Bolt-On Lower Hook Group ●
1	1	218207	Upper Hook - RH
2	1	218206	Upper Hook - LH
3	6	678997	Capscrew, M16 x 65
4	2	7403	Grease Fitting
5	2	675969	Lower Hook
6	4	667225	Washer
7	4	751511	Capscrew, M16 x 55

▲ Includes items 1-3.

● Includes items 5-7.

Reference: SK-6373.

Do you have questions you need answered right now? Call your nearest Cascade Parts Department.

Cascade Corporation
2501 Sheridan Avenue
Springfield, OH 45505
Tel: 888-CASCADE (227-2233)
FAX: 888-329-0234
www.cascorp.com

Cascade Canada Inc.
5570 Timberlea Blvd.
Mississauga, Ontario
Canada L4W-4M6
Tel: 905-629-7777
FAX: 905-629-7785

Cascade GmbH
D-41199 Monchengladbach
Klosterhofweg 52
Germany
Tel: 21-66-602091
FAX: 21-66-680947

Cascade Finland
01370 Vantas
Finland
Tel: 358-0-836-1925
FAX: 358-0-836-1935

**Cascade N.V.
European Headquarters**
P.O. Box 3009
1300 El Almere
Damsluisweg 56
1332 ED Almere
The Netherlands
Tel: 31-36-5492911
FAX: 31-36-5492964

**Cascade N.V.
Benelux Sales and Service**
P.O. Box 3009
1300 El Almere
Damsluisweg 56
1332 ED Almere
The Netherlands
Tel: 31-36-5492950
FAX: 31-36-5492974

Cascade (UK) Ltd.
15, Orgreave Crescent
Dore House Industrial Estate
Handsworth
Sheffield S13 9NQ
England
Tel: 742-697524
FAX: 742-695121

**Cascade Scandinavia
Hydraulik A.B.**
Muskötgatan 19, E8-9
S25466 Helsingborg
Sweden
Tel: 42-151135
FAX: 42-152997

Cascade Norway
Østerliveien 37A
1153 Oslo
Norway
Tel: 47-22-743160
FAX: 47-22-743157

Cascade France S.A.R.L.
11, Rue Jean Charcot
Zone Industrielle Sud or
B.P. 22
91421 Morangis Cedex
France
Tel: 1- 64547501
FAX: 1-9790584

Cascade Hispania S.A.
Avenida De La Fabregada, 7
Hospitalet De Llobregat
Barcelona
Spain
Tel: 3-335-5158
FAX: 3-335-4756

Cascade Japan Ltd.
5-5-41,
Torikai Kami
Settsu, Osaka
Japan, 566
Tel: 81-726-53-3490
FAX: 81-726-53-3497

Cascade Korea
Room 508, Pum Yang Bldg.
750-14, Bang Bac-Dong
Se-Cho Ku, Seoul
Korea
Tel: 2599-7131 ext. 512
FAX: 2533-8089

HYCO-Cascade Pty. Ltd.
1445 Ipswich Road
Rocklea,
Queensland 4107
Australia
Tel: 3-274-2722
FAX: 3-274-3456

HYCO-Cascade (NZ) Ltd.
15 Ra Ora Drive, East Tamaki
P.O. Box 38-440
Howick, Auckland
New Zealand
Tel: 9-273-9136
FAX: 9-273-9137

Cascade (Africa) Pty. Ltd.
P.O. Box 625, Isando 1600
60A Steel Road
Sparton, Kempton Park
South Africa
Tel: 975-9240
FAX: 394-1147

Cascade-Xiamen
Wanshan No. 1 Workshop
Huli Road
Xiamen 361006
Fujian, PRC
Tel: 592-562-4600
FAX: 592-562-4671

**Cascade (Singapore)
Trading Co.**
Four Seasons Park
Autumn Block - Apt. 1802
12 Cascaden Walk
Singapore
Tel: 65-834-1935
FAX: 65-834-1936

