



# Parts Manual

---

Model \_\_\_\_\_ Sideshifter \_\_\_\_\_

Serial Number \_\_\_\_\_ 100E-SS-009 \_\_\_\_\_

---

**cascade**<sup>®</sup>  
corporation

**For Technical Assistance call:** 800-227-2233, Fax: 888-329-8207

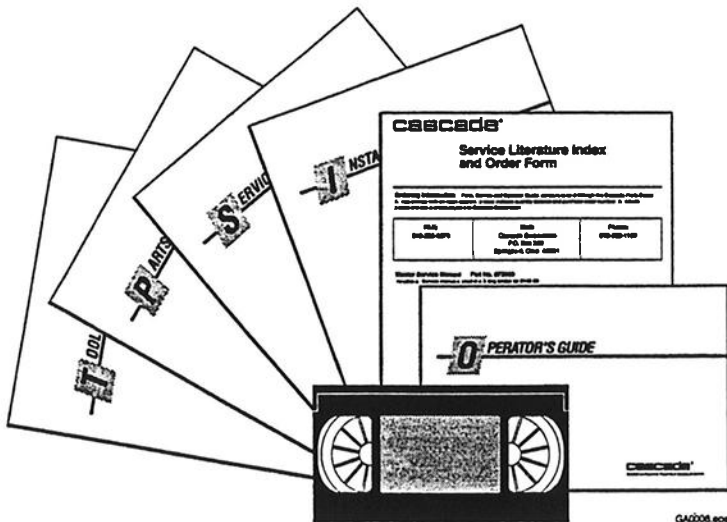
**To Order Parts call:** 888-227-2233, Fax: 888-329-0234

**OR**

**Write:** Cascade Corporation, P.O. Box 20187, Portland, OR 97220

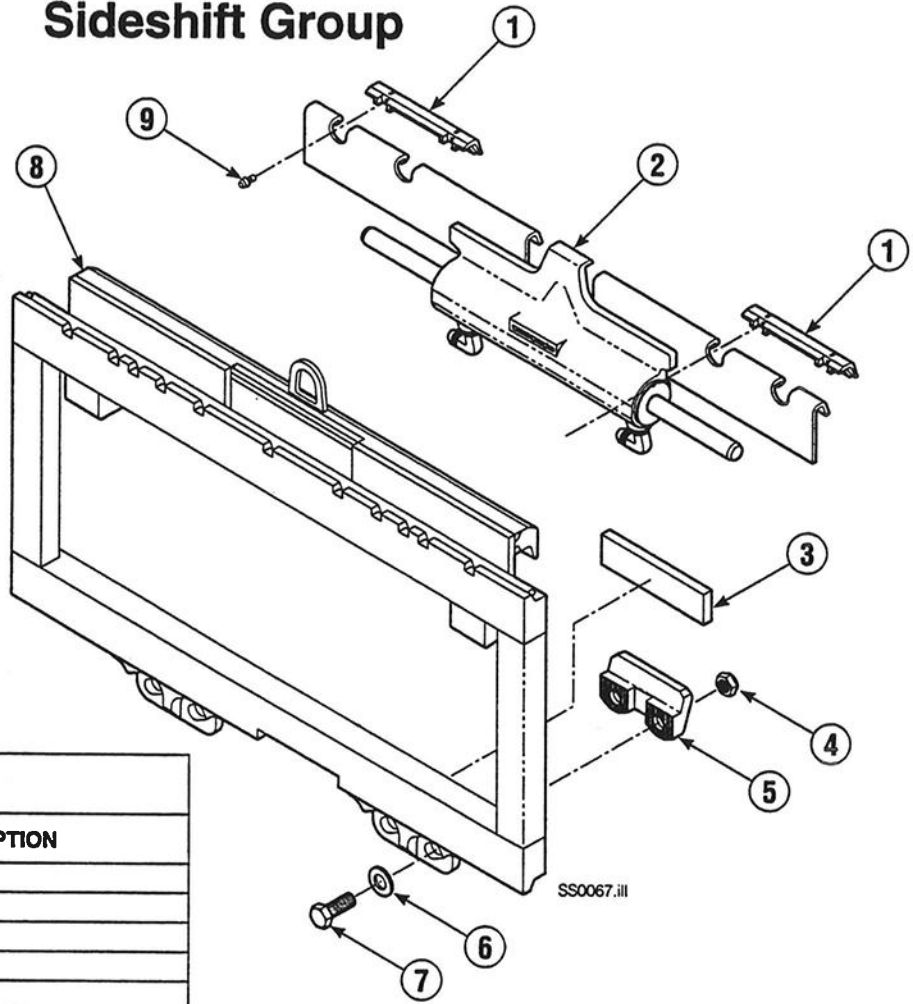
**Internet:** [www.cascorp.com](http://www.cascorp.com)

## Publications



100E Sideshifter	
PART NO.	DESCRIPTION
205849	Parts Manual
205124	Service Manual
205125	Operator Guide
679929	Installation Instruction
679929	Tool Catalog
673964	Literature Index Order Form

# Sideshift Group

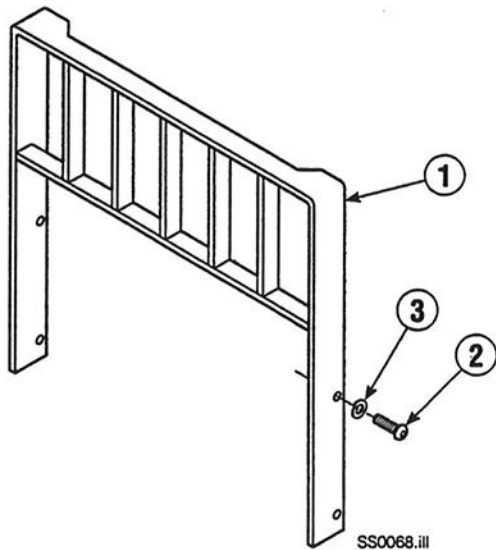


Reference:  
S-4061 Frame Group  
208367, 208368 Common Parts Group

100E			
REF	QTY	PART NO.	DESCRIPTION
1	2	672018	Upper Bearing
2	1	■	Cylinder
3	▼	208350	Lower Bearing
♣4	4	553857	Nut, 5/8NC GR5
♣5	2	204186	Lower Hook
♣6	4	667225	Washer
♣7	4	639121	Capscrew, 5/8NCx1.50 GR5
8	1	●	Frame
9	4	7403	Zerk Fitting

- If the frame needs replacing, your best value is to order the complete sideshift assembly.
- See page 2 for parts breakdown.
- ▼ Quantity as required.
- ♣ Included in Lower Hook Service Kit 204182.

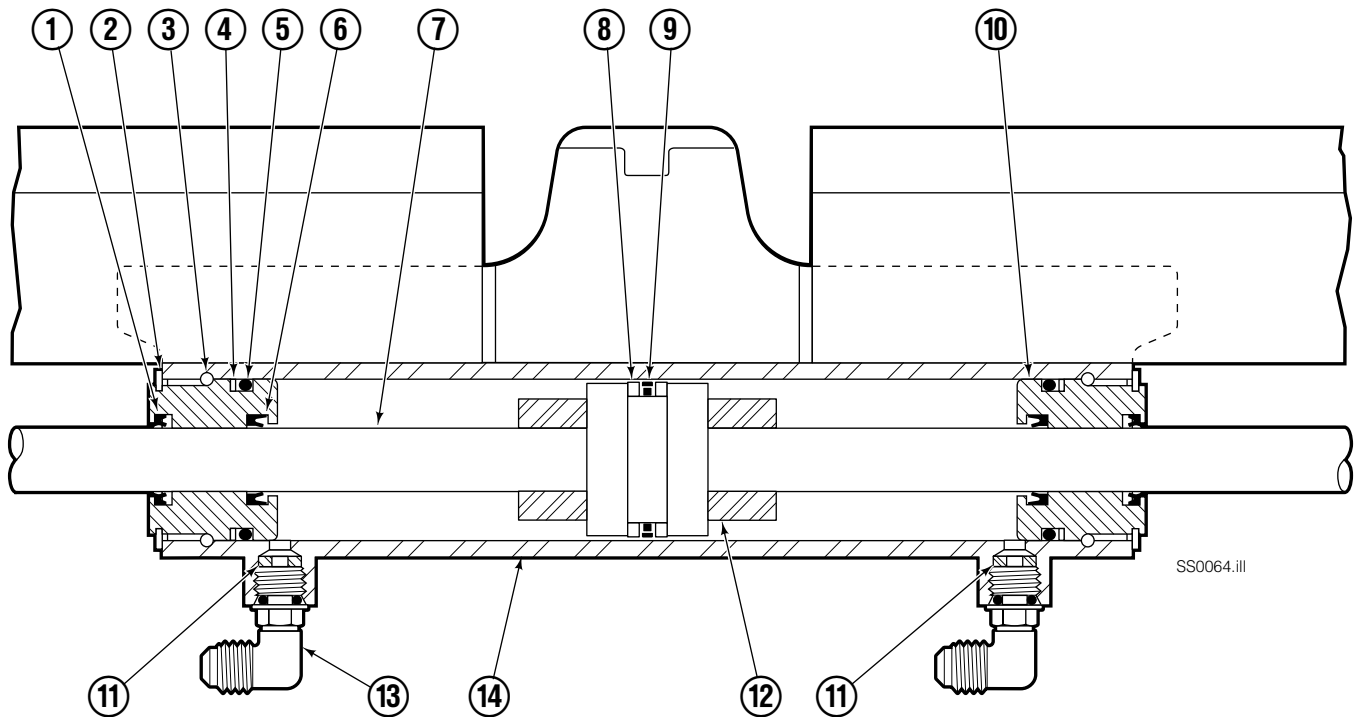
# Backrest



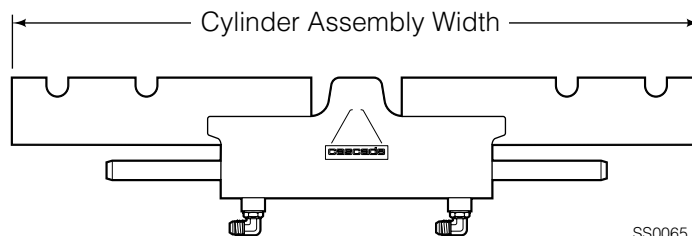
100E			
REF	QTY	PART NO.	DESCRIPTION
1	1	684784	Backrest, 37x36 in. (940x915 mm) ●
1	1	684785	Backrest, 37x48 in. (940x1219 mm) ●
1	1	684786	Backrest, 37x60 in. (940x1524 mm) ●
1	1	684787	Backrest, 41x36 in. (1041x915 mm) ●
1	1	684788	Backrest, 41x48 in. (1041x1219 mm) ●
1	1	684789	Backrest, 41x60 in. (1041x1524 mm) ●
1	1	684790	Backrest, 49x36 in. (1245x915 mm) ●
1	1	684791	Backrest, 49x48 in. (1245x1219 mm) ●
1	1	684792	Backrest, 49x60 in. (1245x1524 mm) ●
1	1	684793	Backrest, 61x36 in. (1550x915 mm) ●
1	1	684794	Backrest, 61x48 in. (1550x1219 mm) ●
1	1	684795	Backrest, 61x60 in. (1550x1524 mm) ●
2	4	200173	Capscrew, M16x2.0x35-10,9
3	4	684586	Lockwasher, M16

- Includes items 2 and 3. Width X height.

# Cylinder



SS0064.ill



SS0065.ill

## 100E

REF	QTY	PART NO.	DESCRIPTION	REF	QTY	PART NO.	DESCRIPTION
		584001	Cylinder Assembly, 36.0 in. (915 mm)	8	2	564404	● Bearing Ring
1	2	564408	● Wiper Seal	9	1	564407	● Piston Seal
2	2	7210	Snap Ring	10	2	564402	Retainer
3	2	564403	Retaining Ring	11	2	564226	Speed Control Washer
4	2	615131	● Back-Up Ring	12	2	—	Spacer
5	2	2789	● O-Ring	13	2	601676	Fitting, JIC 6-6
6	2	564406	● Rod Seal	14	—	■	Cylinder Shell
7	1	564401	Rod			564409	Service Kit

● Included in Service Kit 564409.

■ Not serviceable, order new cylinder assembly.

Reference: Fitting Group 204179, Restrictor Group 205369.



**Do you have questions you need answered right now?** Call your nearest Cascade Parts Department. Visit us online at [www.cascorp.com](http://www.cascorp.com)

**Cascade Corporation**  
2501 Sheridan Avenue  
Springfield, OH 45505  
Tel: 888-CASCADE (227-2233)  
FAX: 888-329-0234

**Cascade Canada Inc.**  
5570 Timberlea Blvd.  
Mississauga, Ontario  
Canada L4W-4M6  
Tel: 905-629-7777  
FAX: 905-629-7785

**Cascade GmbH**  
Dahlener Strasse 570  
41239 Mönchengladbach  
Germany  
Tel: 02166-68230  
FAX: 02166-682323

**Cascade Finland**  
A. Petreliuksenkatu 3  
01370 Vantaa  
Finland  
Tel: 09-8361925  
FAX: 09-8361935

**Cascade N.V.  
Benelux Sales and Service**  
Damsluisweg 56  
PO Box 3009  
1300 El Almere  
The Netherlands  
Tel: 036-5492950  
FAX: 036-5492974

**Cascade (UK) Ltd.**  
Unit 4, 12 O'Clock Court  
Attercliffe Road  
Sheffield, S4 7WW  
England  
Tel: 0870-850-8756  
FAX: 0870-850-8757

**Sales Scotland  
Macade Systems Ltd.**  
18 Melford Road  
Righead Ind. Estate  
Bellshill ML4 3LR  
Scotland  
Tel: 01698-845777  
FAX: 01698-845888

**Cascade (Africa) Pty. Ltd.**  
PO Box 625, Isando 1600  
60A Steel Road  
Sparton, Kempton Park  
South Africa  
Tel: 27-11-975-9240  
FAX: 27-11-394-1147

**Cascade Scandinavia AB**  
Hammarvägen 10  
PO Box 124  
S-56723 Vaggeryd  
Sweden  
Tel: 039-336950  
FAX: 039-336959

**Cascade France  
S.A.R.L. MHP**  
1D Rue De Charaintru BP 18,  
91360 Epinay-Sur-Orge  
France  
Tel: 01-6454-7500  
FAX: 01-6454-7501

**Cascade Hispania S.A.**  
Carrer 5, Sector C  
Zona Franca Duanera  
Poligono de la Zona Franca  
08040 Barcelona, Spain  
Tel: 93-264-07-30  
FAX: 93-264-07-31

**Cascade Roncari S.R.L.**  
Via Dell'Artigianato 1  
37050 Vago di Lavagno (VR)  
Italy  
Tel: 39-045-8989111  
FAX: 39-0458989160

**Sales Portugal FAG  
Santos Lda**  
Rua do Mercado  
Lte 6, Loja 2-Tires 2785-630  
S. Domingos De Rana  
Portugal  
Tel: 214-448-083  
FAX: 214-458-098

**Sales Switzerland  
Fahrzeugbedarf**  
8810, Horgen  
Switzerland  
Tel: 01-7279797  
FAX: 01-7279798

**Sales Poland**  
Targowa 35/61  
03-728 Warszawa  
Tel: 022-619 00 49  
FAX: 022-619 00 49  
Mobile Phone: 0501-27 29 55

**Sales Russia**  
EMCG Material Handling  
Equipment  
Moscow  
Tel: 095-795-2400  
FAX: 095-795-2475  
Email: [emcg@sovintel.ru](mailto:emcg@sovintel.ru)

**Cascade Japan Ltd.**  
5-5-41,  
Torikai Kami  
Settsu, Osaka  
Japan, 566  
Tel: 81-726-53-3490  
FAX: 81-726-53-3497

**Cascade Korea**  
121B 9L Namdong Ind.  
Complex, 691-8 Gojan-Dong  
Namdong-Ku  
Inchon, 405-310 Korea  
Tel: 82-32-821-2051  
FAX: 82-32-821-2055

**Cascade Australia**  
1445 Ipswich Road  
Rocklea, QLD 4107  
Australia  
Tel: 1-800-227-223  
FAX: 617-3373-7333

**Cascade New Zealand**  
15 Ra Ora Drive  
East Tamaki, Auckland  
New Zealand  
Tel: 64-9-273-9136  
FAX: 64-9-273-9137

**Cascade-Xiamen**  
No. 668 Yangguang Rd.  
Xinyang Industrial Zone  
Haicang, Xiamen City  
Fujian Province  
P.R. China 361026  
Tel: 86-592-651-2500  
FAX: 86-592-651-2571

**Sunstream Industries  
Pte Ltd.**  
No. 3 Tuas Link 1  
2263  
Singapore  
Tel: 65-6863-3488  
FAX: 65-6863-1368

