



Parts Manual

Model Single-Double Pallet Handler

Serial Number 70E-FDS-B001R1

cascade[®]
corporation

For Technical Assistance call: 800-227-2233, Fax: 888-329-8207

To Order Parts call: 888-227-2233, Fax: 888-329-0234

OR

Write: Cascade Corporation, P.O. Box 20187, Portland, OR 97220

Internet: www.cascorp.com

Decals



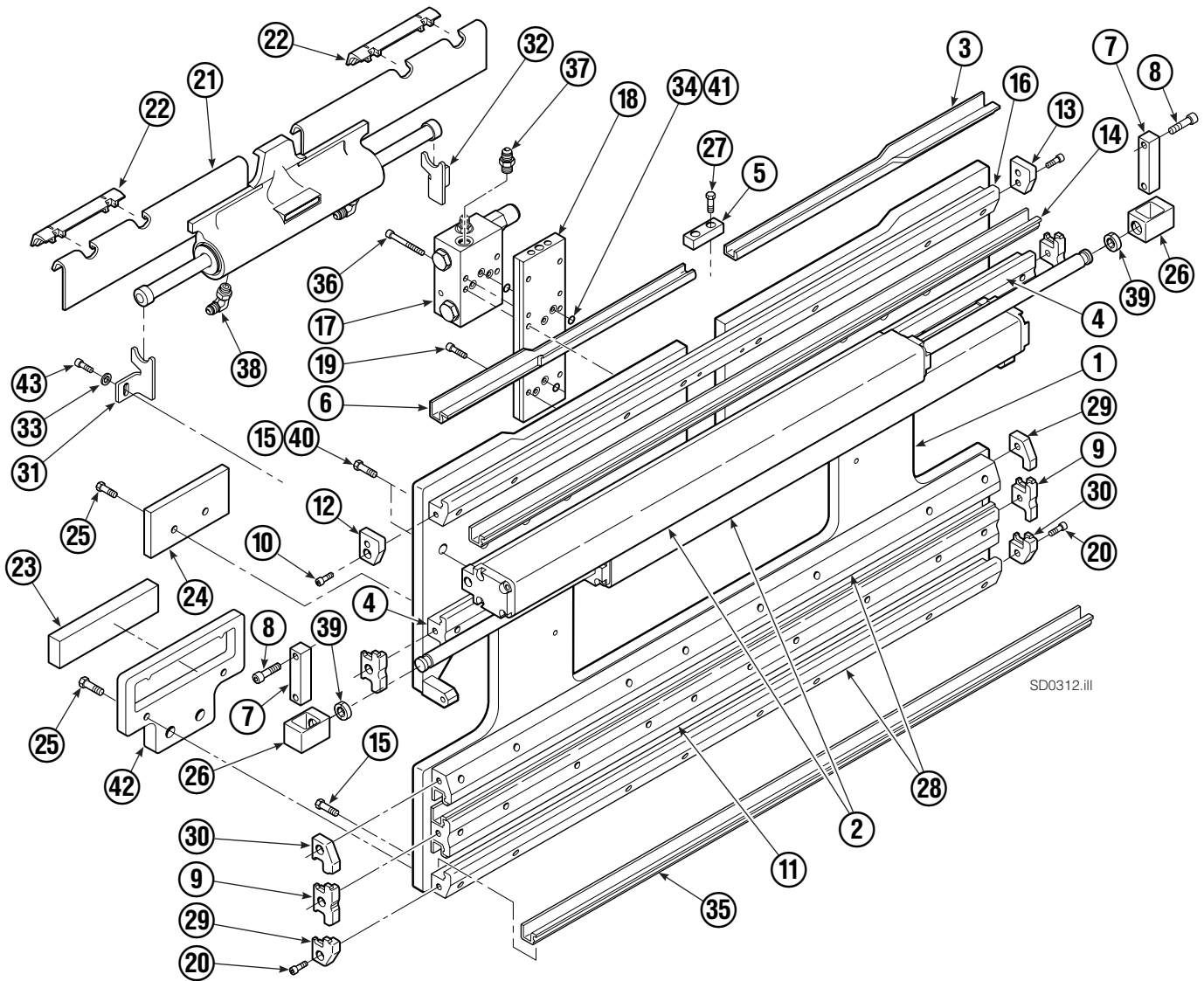
70E			
REF	QTY	PART NO.	DESCRIPTION
1	6	665595	No Hand Hold Decal
2	4	679150	No Step Decal

Publications



70E	
PART NO.	DESCRIPTION
	Parts Manual
213580	Operator's Guide
213372	Installation Instructions
679929	Tool Catalog
673964	Literature Index Order Form

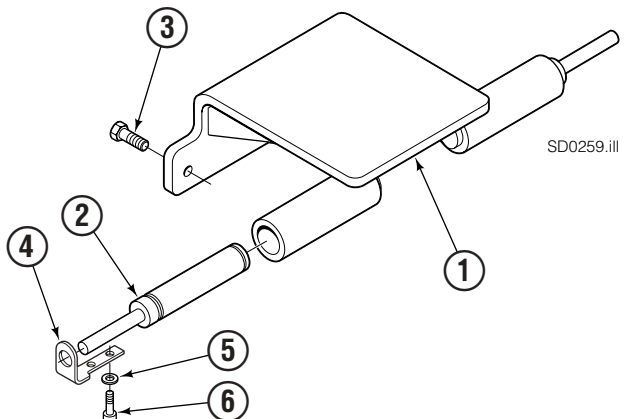
Base Unit Group



Inner Fork Control Group

70E			
REF	QTY	PART NO.	DESCRIPTION
		6102292	Inner Fork Control Group ▼
1	1	6102293	Bracket
2	2	225395	Gas Cylinder
3	3	683821	Capscrew, M12 x 20
4	2	230791	Retainer
5	4	202346	Washer, M6
6	4	768785	Capscrew, M6 x 10

▼ Included in Base Unit Group 6010192.

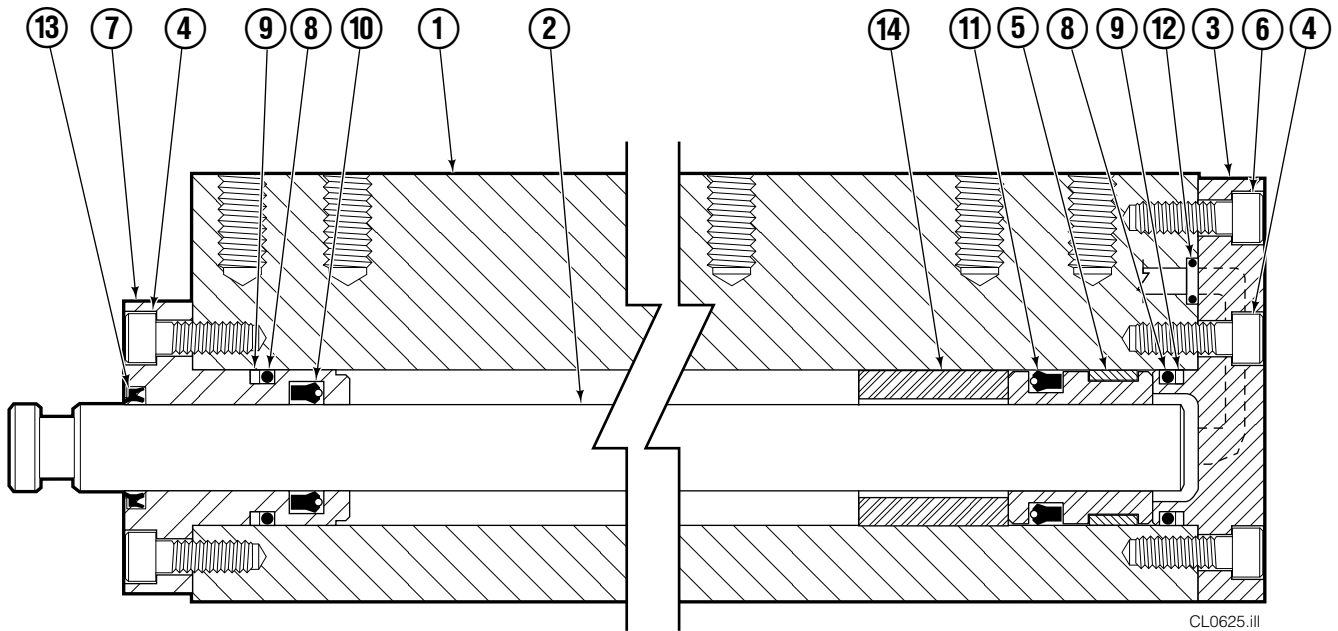


Base Unit Group

70E			
REF	QTY	PART NO.	DESCRIPTION
		6010192	Base Unit Group ▼
1	1	6009165	Baseplate
2	2	6009997	Frame Cylinder ★
3	1	4776-778	Bearing Segment – LH
4	2	6106644	T-Bar – Upper
5	1	6108551	Fork Stop
6	1	4777-778	Bearing Segment – RH
7	2	209844	Rod End Anchor
8	4	768828	Capscrew, M12 x 45
9	4	210141	Bearing Retainer
10	4	767614	Capscrew, M10 x 20
11	1	6009221	T-Bar – Lower
12	1	6005409	Retainer/Stop – RH
13	1	6005408	Retainer/Stop – LH
14	4	10603-1196	Bearing Segment
15	33	219529	Capscrew, M16 x 40
16	1	6009224	T-Bar – Upper
17	1	216835	Valve Assembly ▲
18	1	225408	Manifold
19	4	768208	Capscrew, M8 x 25
20	6	787375	Capscrew, M8 x 20
21	1	796247	Sideshift Cylinder ●
22	2	672018	Upper Bearing
23	2	6104908	Lower Bearing
24	2	212709	Spacer Block
25	8	767615	Capscrew, M10 x 25
26	2	209843	Rod End
27	2	684649	Capscrew, M10 x 25
28	2	6009225	T-Bar – Lower
29	2	223937	Bearing Retainer
30	2	223938	Bearing Retainer
31	1	225441	Bracket – RH
32	1	225440	Bracket – LH
33	2	787398	Washer, M8
34	3	214053	O-Ring
35	4	10603-1188	Bearing Segment
36	2	768804	Capscrew, M8 x 80
37	2	604511	◆ Fitting, 6-6
38	2	601676	◆ Fitting, 6-6
39	4	209850	Retainer Half Ring
40	19	211128	Capscrew, M16 x 30
41	4	564448	O-Ring
42	2	215226	Hanger
43	2	787372	Capscrew, M8 x 20

- ★ See Frame Cylinder page for parts breakdown.
- ▲ See Valve Assembly page for parts breakdown.
- See Sideshift Cylinder page for parts breakdown.
- ◆ Included in Fitting Group 213099.
- ▼ Includes Inner Fork Control Group 6102292.

Cylinder

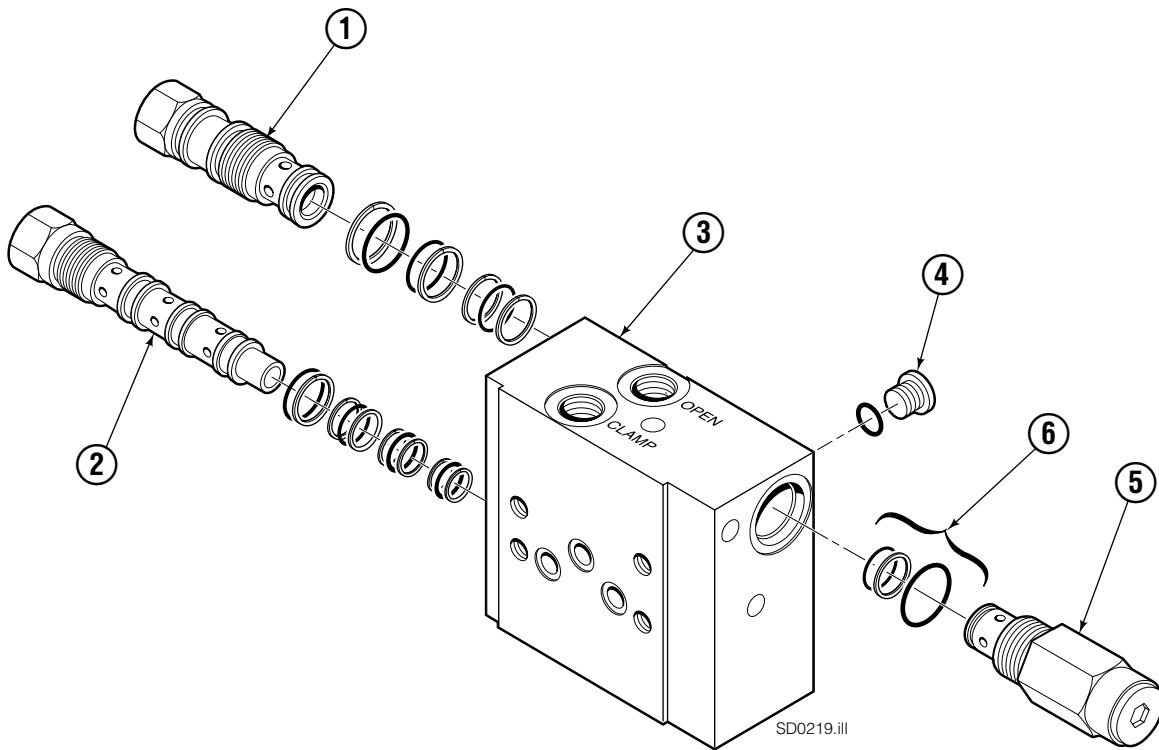


70E							
REF	QTY	PART NO.	DESCRIPTION	REF	QTY	PART NO.	DESCRIPTION
		6009997	Cylinder Assembly	8	3	210088	▲ O-Ring
1	1	6009178	Cylinder/Shell	9	2	564601	▲ Back-Up Ring
2	1	4126-0894	Rod	10	1	212478	▲ Seal
3	1	209744	Cap	11	1	564349	▲ Seal
4	8	768208	Capscrew, M8 x 25	12	2	564448	▲ O-Ring
5	1	209748	▲ Bearing	13	1	564408	▲ Wiper
6	1	787375	Capscrew, M8 x 20	14	1	4273-0041	Spacer
7	1	212449	Retainer			209771	Service Kit

▲ Included in Service Kit 209771.

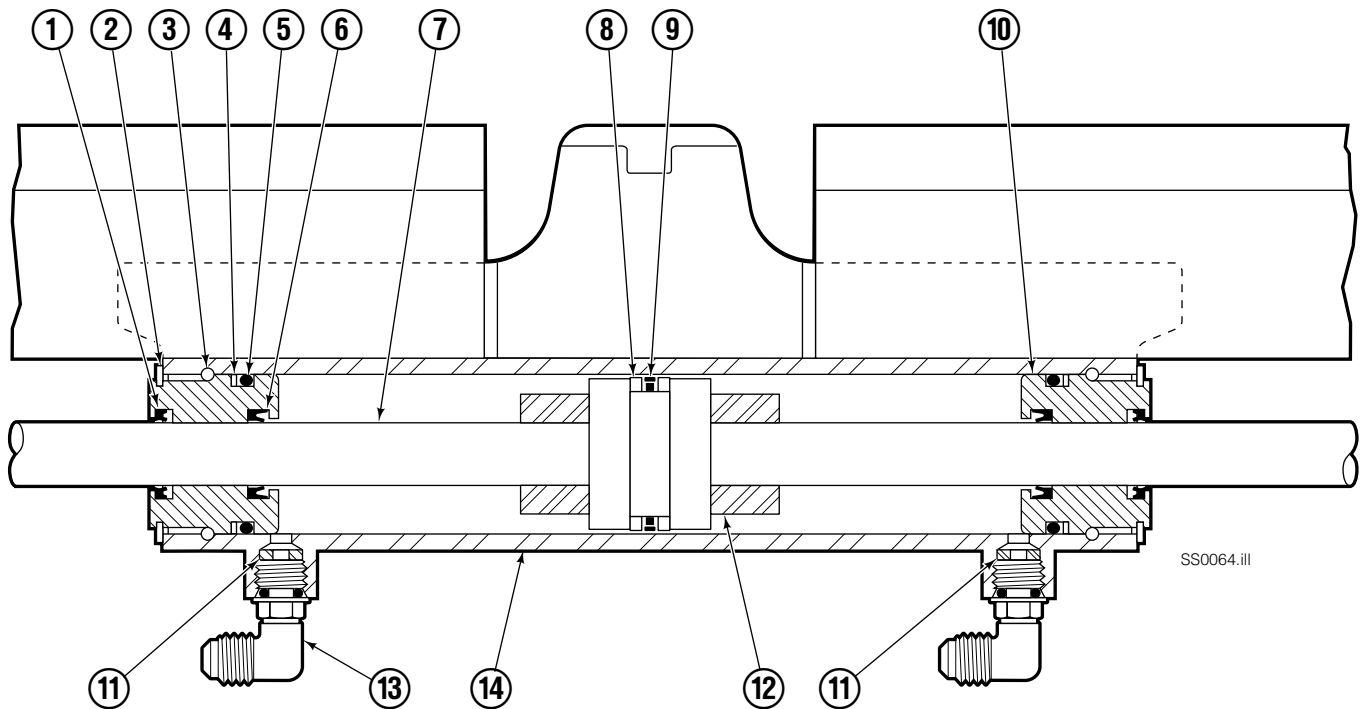
Reference: S-10607, S-4117, S-4118.

Valve ITA Class II

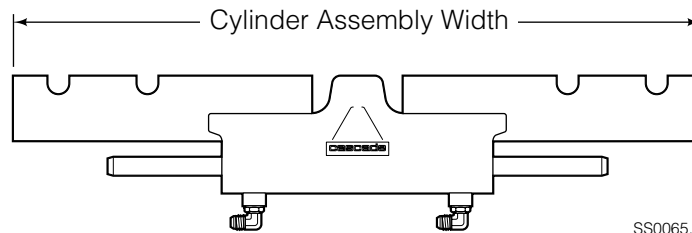


70E			
REF	QTY	PART NO.	DESCRIPTION
		216835	Valve Assembly
1	1	219039	Check Valve
2	1	219040	Flow Divider/Combiner
3	1	216836	Valve Body
4	1	609234	Plug
5	1	213535	Crossover Relief Valve
6	1	682170	Service Kit

Cylinder



SS0064.ill



SS0065.ill

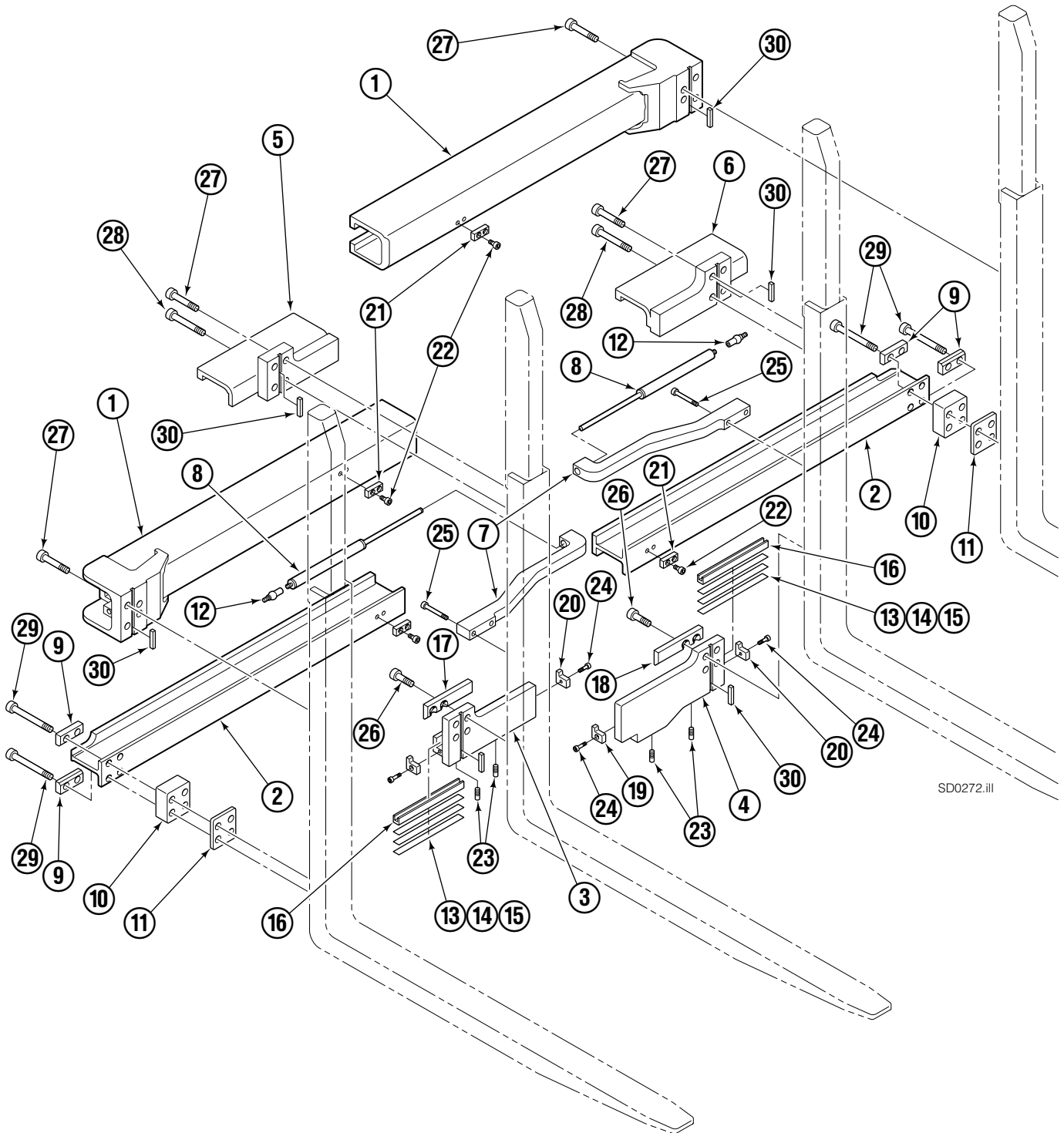
70E

REF	QTY	PART NO.	DESCRIPTION	REF	QTY	PART NO.	DESCRIPTION
		796247	Cylinder Assembly, 40 in. (1020 mm)	8	2	564404	● Bearing Ring
1	2	564408	● Wiper Seal	9	1	564407	● Piston Seal
2	2	3154	Snap Ring	10	2	564402	Retainer
3	2	564403	Retaining Ring	11	1	205369	Speed Control Washer
4	2	615131	● Back-Up Ring	12	2	—	Spacer
5	2	2789	● O-Ring	13	2	601676	Fitting, JIC 6-6
6	2	564406	● Rod Seal	14	—	■	Cylinder Shell
7	1	564401	Rod			564409	Service Kit

● Included in Service Kit 564409.

■ Not serviceable, order new cylinder assembly.

Arm Group



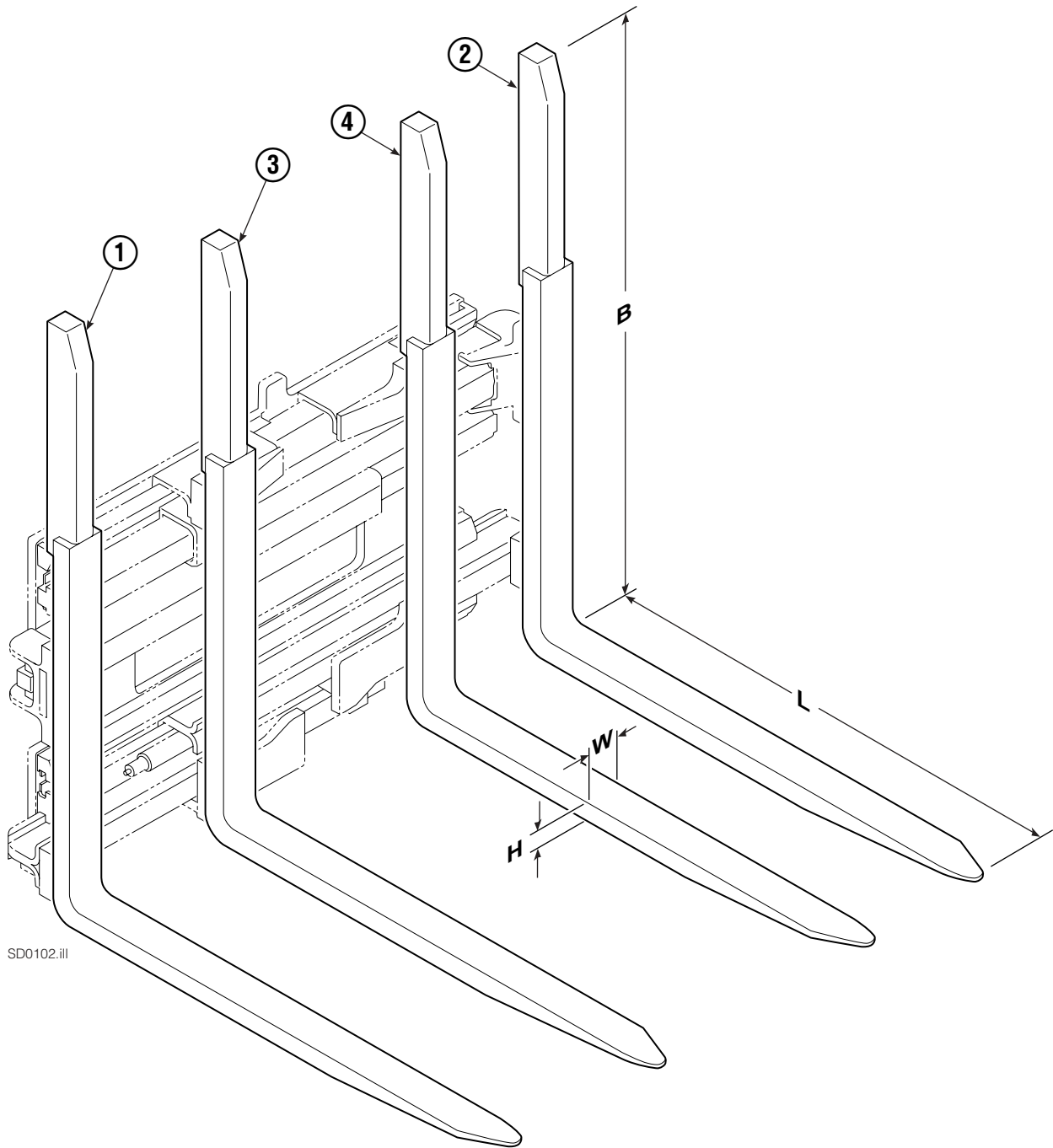
SD0272.iii

Arm Group

70E			
REF	QTY	PART NO.	DESCRIPTION
		6007722	Arm Group
1	2	6009241	Arm Bar – Upper
2	2	6009296	Arm Bar – Lower
3	1	6009304	Lower Hook – RH
4	1	6009929	Lower Hook – LH
5	1	6009286	Upper Hook – RH
6	1	6009936	Upper Hook – LH
7	2	6006068	Bracket
8	2	224175	Gas Cylinder
9	4	226948	Reinforcing Plate
10	2	226949	Spacer
11	4	228394	Spacer
12	2	224189	Ball Joint
13	2	228395	Shim, 2 mm.
14	4	212559	Shim, 1 mm.
15	4	213913	Shim, .05 mm.
16	2	4501-0222	Bearing Segment
17	1	212682	Bearing – RH
18	1	213899	Bearing – LH
19	2	212979	Bearing Retainer
20	2	213360	Bearing Retainer
21	4	212687	Fork Stop
22	8	214414	Capscrew, M10 x 12
23	4	768755	Setscrew, M12 x 16
24	4	787375	Capscrew, M8 x 20
25	4	768813	Capscrew, M10 x 55
26	8	769574	Capscrew, M16 x 35
27	12	769577	Capscrew, M16 x 50
28	4	769578	Capscrew, M16 x 60
29	8	228400	Capscrew, M16 x 80
30	6	213364	Key

Reference: Common Parts Group 228397.

Tube Backrest/Fork Group

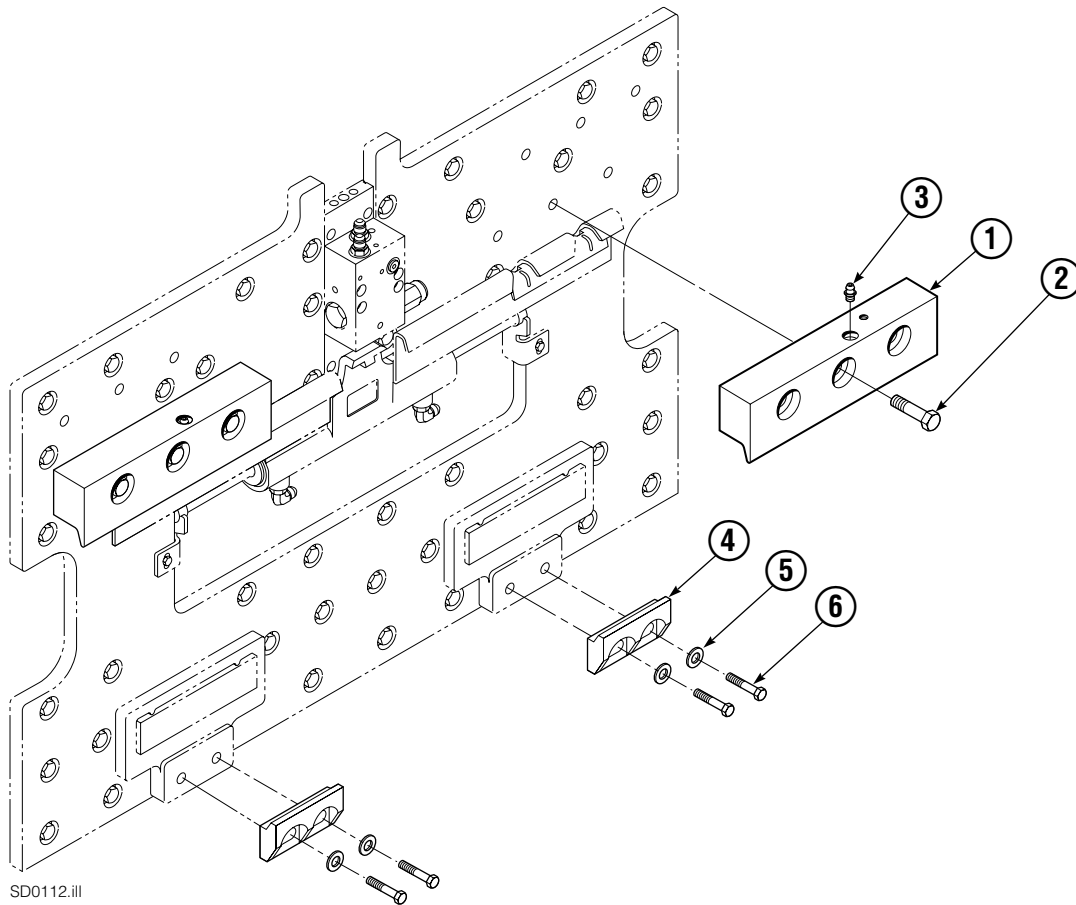


SD0102.iii

70E			
REF	QTY	PART NO.	DESCRIPTION
		6102803	Backrest and Fork Group
1	1	6102532	Outer Fork - RH
2	1	6102531	Outer Fork - LH
3	1	229179	Inner Fork - RH
4	1	229178	Inner Fork - LH

Reference: S-28077, 28078, 28081.

Mounting Group ITA Class III



SD0112.iii

70E			
REF	QTY	ITA III	DESCRIPTION
		PART NO.	
		224158	Upper Hook Group ▲
		220744	Lower Hook Group ★
1	2	229186	Upper Hook
2	6	229187	Capscrew, M16 x 70
3	2	7403	Grease Fitting
4	2	675969	Lower Hook
5	4	667225	Washer
6	4	751511	Capscrew, M16 x 55

▲ Includes items 1 and 2.

★ Includes items 4, 5 and 6.

Reference: SK-6116.

Do you have questions you need answered right now? Call your nearest Cascade Parts Department. Visit us online at www.cascorp.com

Cascade Corporation
2501 Sheridan Avenue
Springfield, OH 45505
Tel: 888-CASCADE (227-2233)
FAX: 888-329-0234

Cascade Canada Inc.
5570 Timberlea Blvd.
Mississauga, Ontario
Canada L4W-4M6
Tel: 905-629-7777
FAX: 905-629-7785

Cascade GmbH
D-41199 Monchengladbach
Klosterhofweg 52
Germany
Tel: 49-216-668230
FAX: 49-216-6682323

Cascade Finland
Albert Petreliuksenkatu 3
01370 Vantaa
Finland
Tel: 358-9-836-1925
FAX: 358-9-836-1935

**Cascade N.V.
European Headquarters**
P.O. Box 3009
1300 El Almere
Damsluisweg 56
1332 ED Almere
The Netherlands
Tel: 31-36-5492911
FAX: 31-36-5492964

**Cascade N.V.
Benelux Sales and Service**
P.O. Box 3009
1300 El Almere
Damsluisweg 56
1332 ED Almere
The Netherlands
Tel: 31-36-5492950
FAX: 31-36-5492974

Cascade (UK) Ltd.
15, Orgreave Crescent
Dore House Industrial Estate
Handsworth
Sheffield S13 9NQ
England
Tel: 742-697524
FAX: 742-695121

Cascade Scandinavia AB
Box 124
Hammarvägen 10
567 23 Vaggeryd
Sweden
Tel: 42-0-393-36950
FAX: 46-0-393-36959

Cascade Norway
Østerliveien 37A
1153 Oslo
Norway
Tel: 47-22-743160
FAX: 47-22-743157

Cascade France S.A.R.L.
1D Rue De Charaintru
BP 18, 91360 Epinay-Sur-Orge
Morangis Cedex, France
Tel: 33-1- 64547500
FAX: 33-1-64547501

Cascade Hispania S.A.
Carrer 5 Sector C
Zona Franca Duanera
Poligono de la Zon Franca
08040 Barcelona, Spain
Office No. 256
Tel: 93-264-07-30
FAX: 93-264-07-31

Cascade Japan Ltd.
5-5-41,
Torikai Kami
Settsu, Osaka
Japan, 566
Tel: 81-726-53-3490
FAX: 81-726-53-3497

Cascade Korea
108B, Namdong Ind Complex
658-3 Gojan-Dong
Namdong-Gu
Inchon, 405-310 Korea
Tel: 82-32-821-2051
FAX: 82-32-821-2055

Cascade Australia
1445 Ipswich Road
Rocklea, QLD 4106
Australia
Tel: 1-800227-223
FAX: (07) 3373-7333

Cascade New Zealand
15 Ra Ora Drive
East Tamaki, Auckland
New Zealand
Tel: 9-273-9136
FAX: 9-273-9137

Cascade (Africa) Pty. Ltd.
P.O. Box 625, Isando 1600
60A Steel Road
Sparton, Kempton Park
South Africa
Tel: 27-11-975-9240
FAX: 27-11-394-1147

Cascade-Xiamen
No. 668 Yangguang Rd.
Xinyang Industrial Zone
Haicang, Xiamen City
Fujian Province
P.R. China 361026
Tel: 86-592-651-2500
FAX: 86-592-651-2571

**Cascade (Singapore)
Trading Co.**
Four Seasons Park
Autumn Block - Apt. 1802
12 Cuscaden Walk
Singapore
Tel: 65-834-1935
FAX: 65-834-1936

