



# Parts Manual

---

Model 300J Produce Handler

Serial Number SELP-40161

---

**cascade**<sup>®</sup>  
**corporation**

**For Technical Assistance call:** 800-227-2233, Fax: 888-329-8207

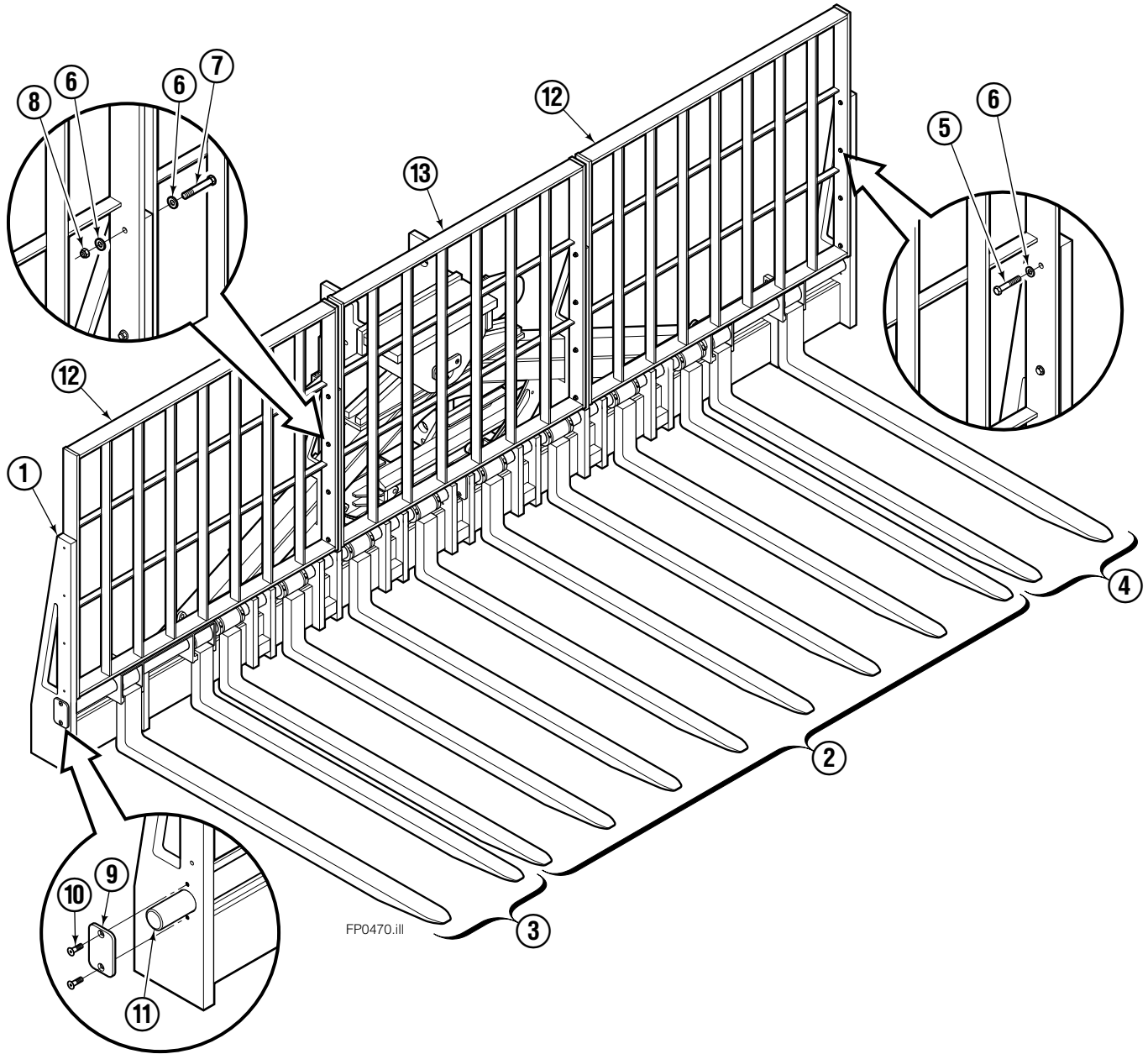
**To Order Parts call:** 888-227-2233, Fax: 888-329-0234

**OR**

**Write:** Cascade Corporation, P.O. Box 20187, Portland, OR 97220

**Internet:** [www.cascorp.com](http://www.cascorp.com)

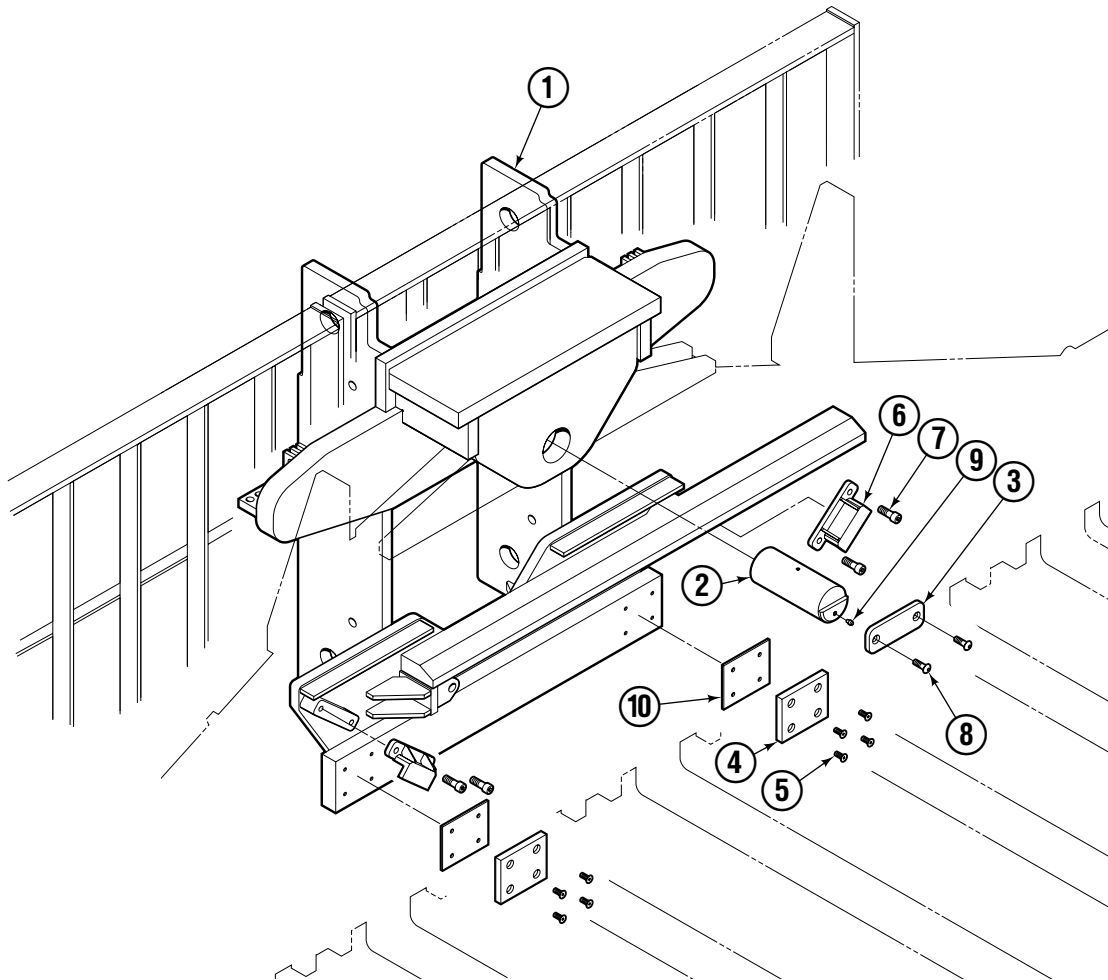
# Integral Assembly



300J							
REF	QTY	PART NO.	DESCRIPTION	REF	QTY	PART NO.	DESCRIPTION
		6104660	Integral Assembly	7	8	205205	Capscrew, M12 x 90
1	1	6104661	Frame	8	8	205979	Nut, M12
2	1	6104824	Inner Fork Group ♦	9	4	6010501	Retainer
3	1	6104845	Outer Fork Group – RH ♦	10	8	755028	Capscrew, M12 x 50
4	1	6104846	Outer Fork Group – LH ♦	11	2	6104677	Fork Pin
5	8	768557	Capscrew, M12 x 50	12	2	6104685	Backrest
6	24	202348	Washer, M12	13	1	6104699	Backrest

♦ Not included in Integral Assembly.  
See Fork Group page for parts breakdown.

# Integral Assembly

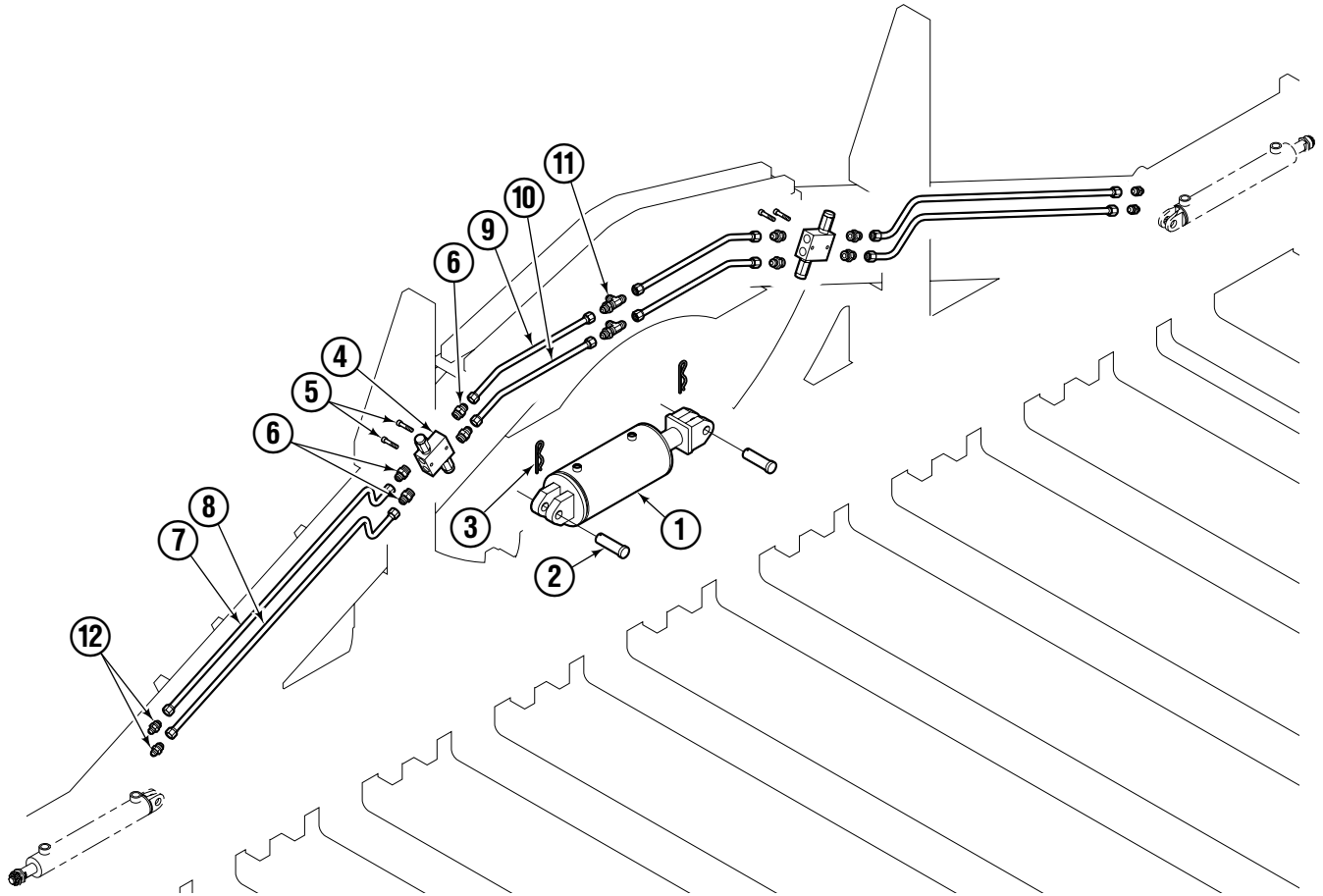


FP0465.ill

300J			
REF	QTY	PART NO.	DESCRIPTION
1	1	6104671	Carriage
2	1	6104682	Pivot Pin
3	1	6010690	Pivot Pin Retainer
4	2	6104676	Lower Bearing
5	8	766646	Capscrew, M10 x 20
6	2	6011250	Retainer Weldment
7	4	794996	Capscrew, M16 x 50
8	2	755028	Capscrew, M12 x 50
9	1	7401	Lube Fitting
10	2	6106412	Shim

Reference: Integral Assembly 6104660.

# Integral Assembly



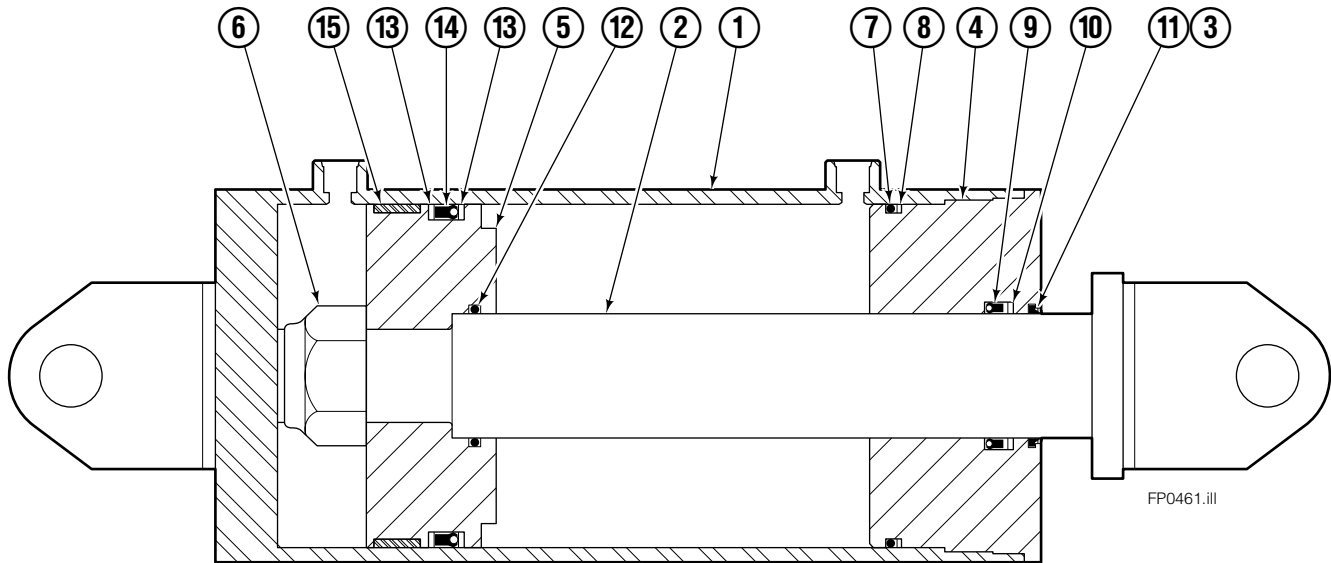
FP0471.III

300J			
REF	QTY	PART NO.	DESCRIPTION
1	1	6011053	Cylinder ♦
2	2	6011511	Clevis Pin
3	2	686217	Cotter Pin
4	2	6104570	Cross-over Relief Valve
5	4	768798	Capscrew, M8 x 45
6	8	611289	Fitting, 8-10
7	2	6104892	Tube
8	2	6104895	Tube
9	2	6104897	Tube
10	2	6104899	Tube
11	2	6104896	Fitting, 8-8
12	4	674294	Fitting, 8-6

♦ See Cylinder page for parts breakdown.

Reference: Integral Assembly 6104660.

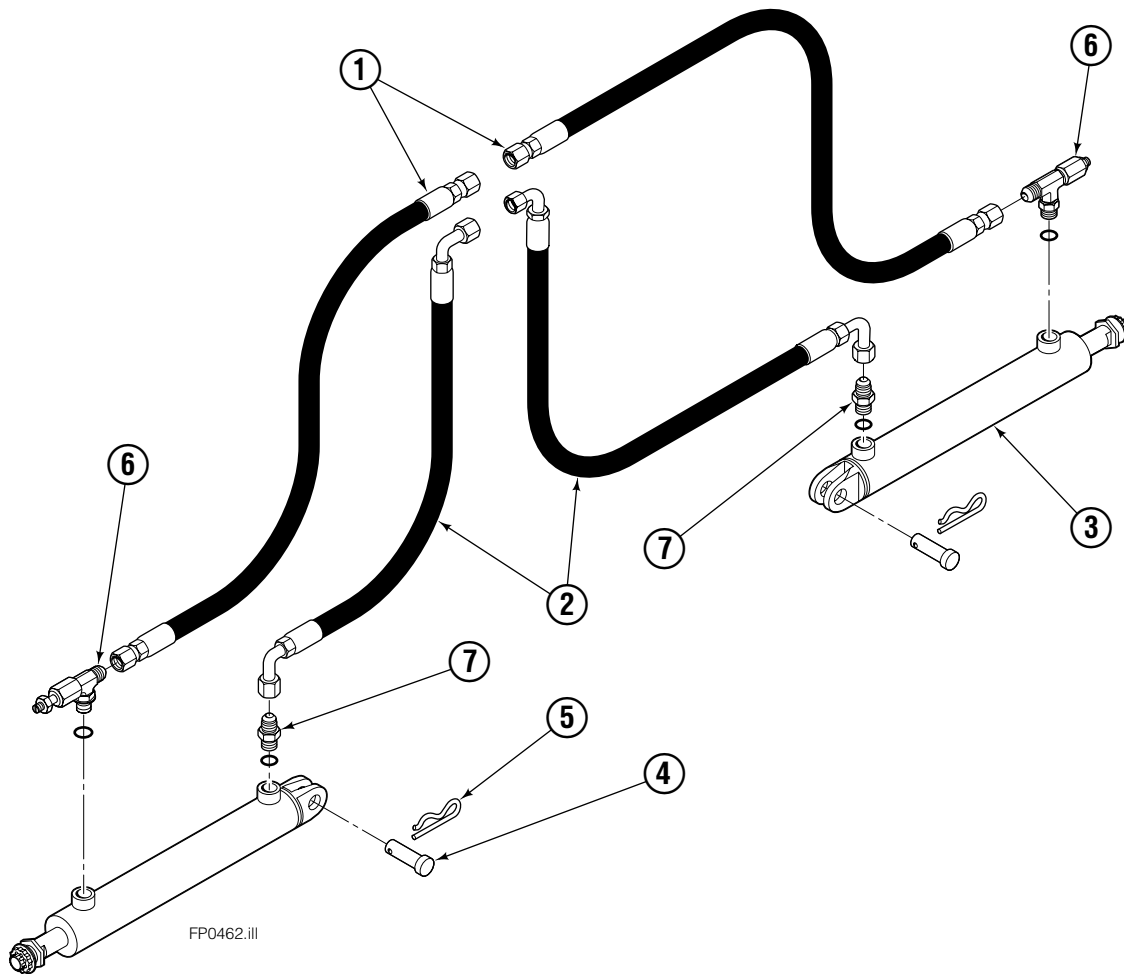
# Cylinder



300J			
REF	QTY	PART NO.	DESCRIPTION
		6011053	Cylinder
1	1	6011055	Shell
2	1	6011057	Rod
3	1	563432	Paint Protector
4	1	558322	Retainer
5	1	558321	Piston
6	1	562060	Nut
7	1	2813	O-Ring ♦
8	1	615156	Backup Ring ♦
9	1	553520	Seal ♦
10	1	636701	Nylon Ring ♦
11	1	624572	Rod Wiper ♦
12	1	2787	O-Ring ♦
13	2	638299	Nylon Ring ♦
14	1	662468	Seal ♦
15	1	660787	Wear Ring ♦
		558930	Service Kit

♦ Included in Service Kit 558930.

# Hose Group

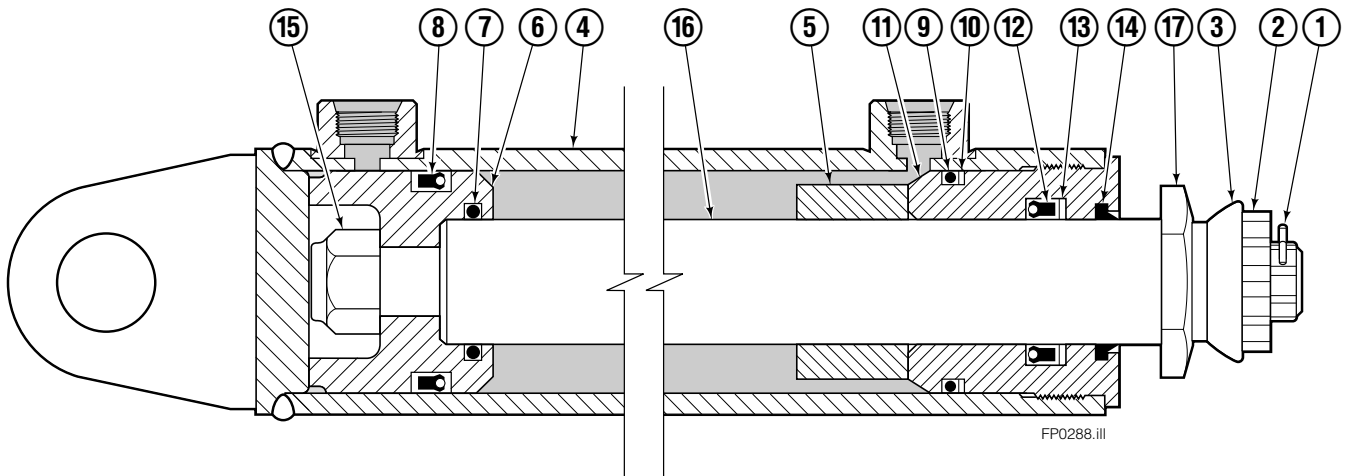


FP0462.ill

300J			
REF	QTY	PART NO.	DESCRIPTION
		6104904	Hose Group ◆
1	2	6010447	Hose, 43 in.
2	2	3009549	Hose, 37 in.
3	2	6104875	Cylinder ■
4	2	678528	Clevis Pin
5	2	672726	Cotter Pin
6	2	617487	Restrictor Tee ●
7	2	604511	Fitting, 6-6

- ◆ Includes items 1 and 2 only.
- See Cylinder page for parts breakdown.
- See Restrictor page for parts breakdown.

# Cylinder

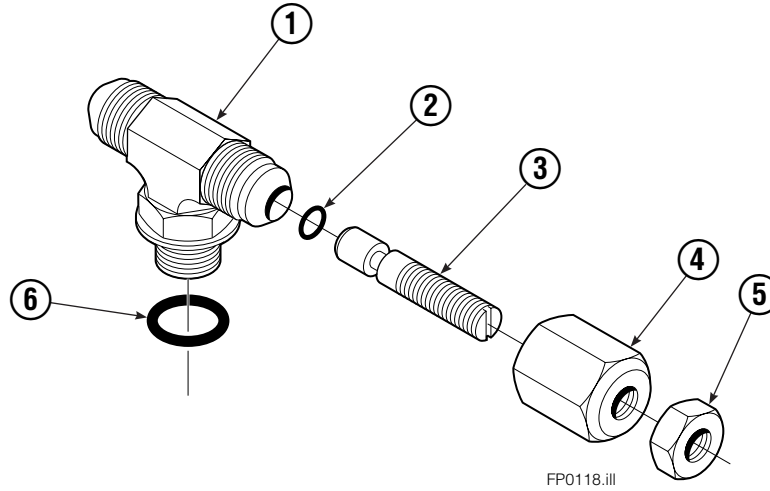


300J			
REF	QTY	PART NO.	DESCRIPTION
		6104875	Cylinder Assembly
1	2	6510	Cotter Pin
2	2	667624	Nut Retainer
3	2	667625	Nut
4	1	6103116	Shell
5	1	6104880	Spacer
6	1	558200	Piston
7	1	2716	O-Ring ▲
8	1	662452	Seal ▲
9	1	2785	O-Ring ▲
10	1	615128	Back-Up Ring ▲
11	1	563906	Retainer
12	1	662448	Seal ▲
13	1	638243	Nylon Ring ▲
14	1	636853	Wiper ▲
15	1	667623	Nut
16	1	6103115	Rod
17	1	667626	Washer
	1	671047	Seal Loader, Piston ▲
	1	671051	Seal Loader, Retainer ▲
		668021	Service Kit

▲ Included in Service Kit 668021.

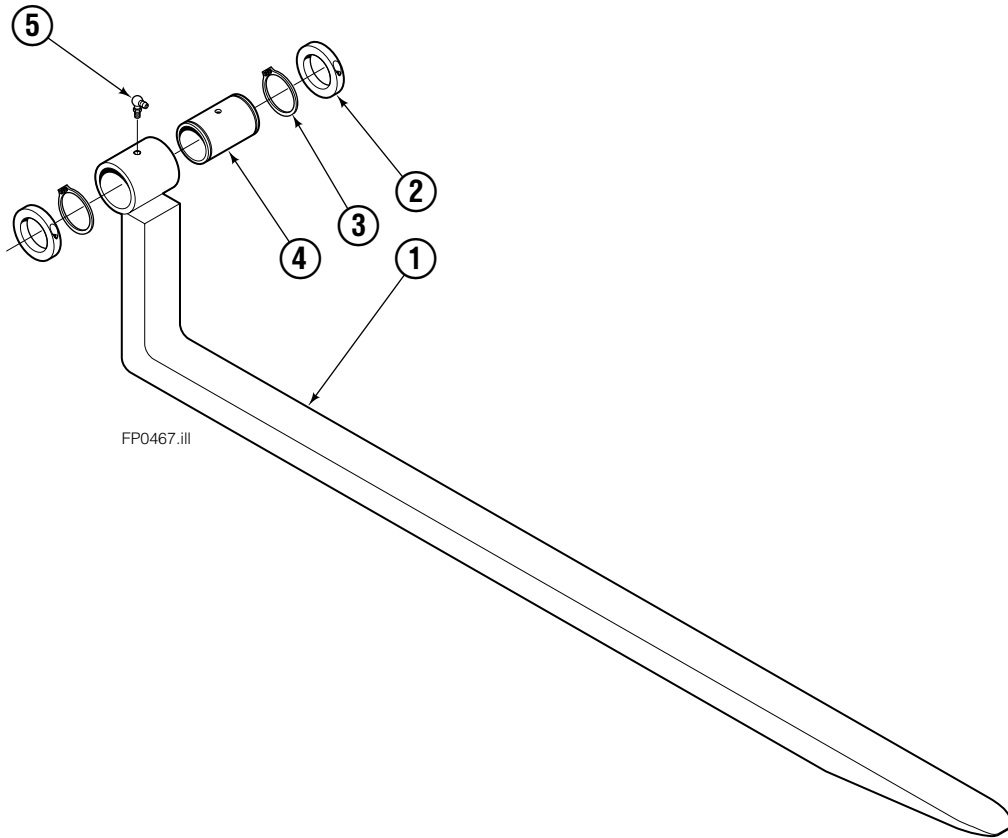
Reference: S-20040, S-20101.

# Restrictor Fitting



REF	QTY	PART NO.	DESCRIPTION
		617487	Restrictor Assembly
1	1	617486	Tee
2	1	2698	O-Ring
3	1	11100	Setscrew
4	1	11099	Cap
5	1	5715	Jam Nut
6	1	2840	O-Ring

# Inner Fork Group

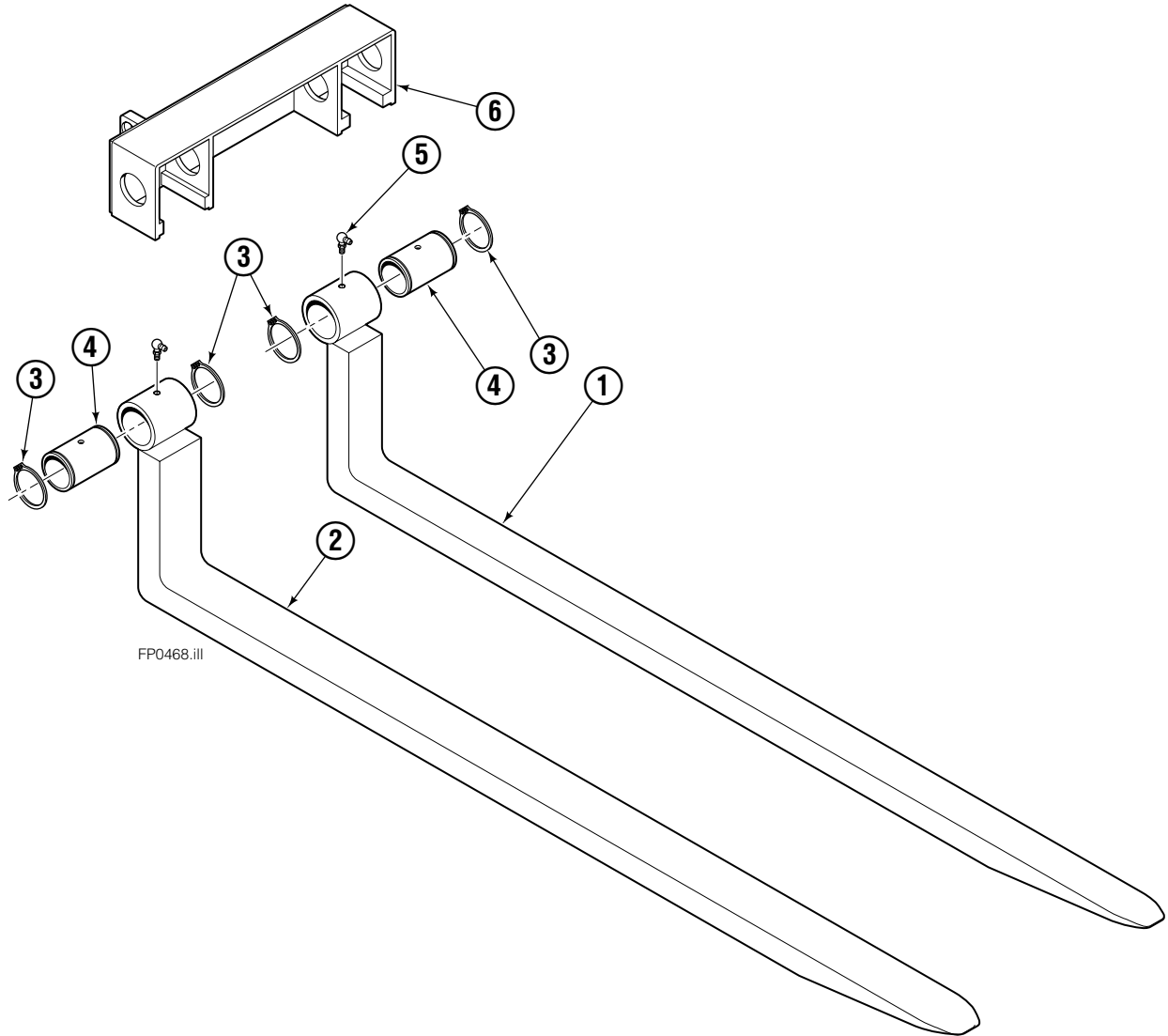


FP0467.iii

300J			
REF	QTY	PART NO.	DESCRIPTION
		6104824	Inner Fork Group
1	8	6104825	Fork Assembly
2	16	6009854	Shaft Collar
3	16	7227	Retaining Ring ◆
4	8	6104835	Bushing ◆
5	8	828470	Grease Fitting ◆

◆ Included in Fork Assembly 6104825.

# RH Outer Fork Group

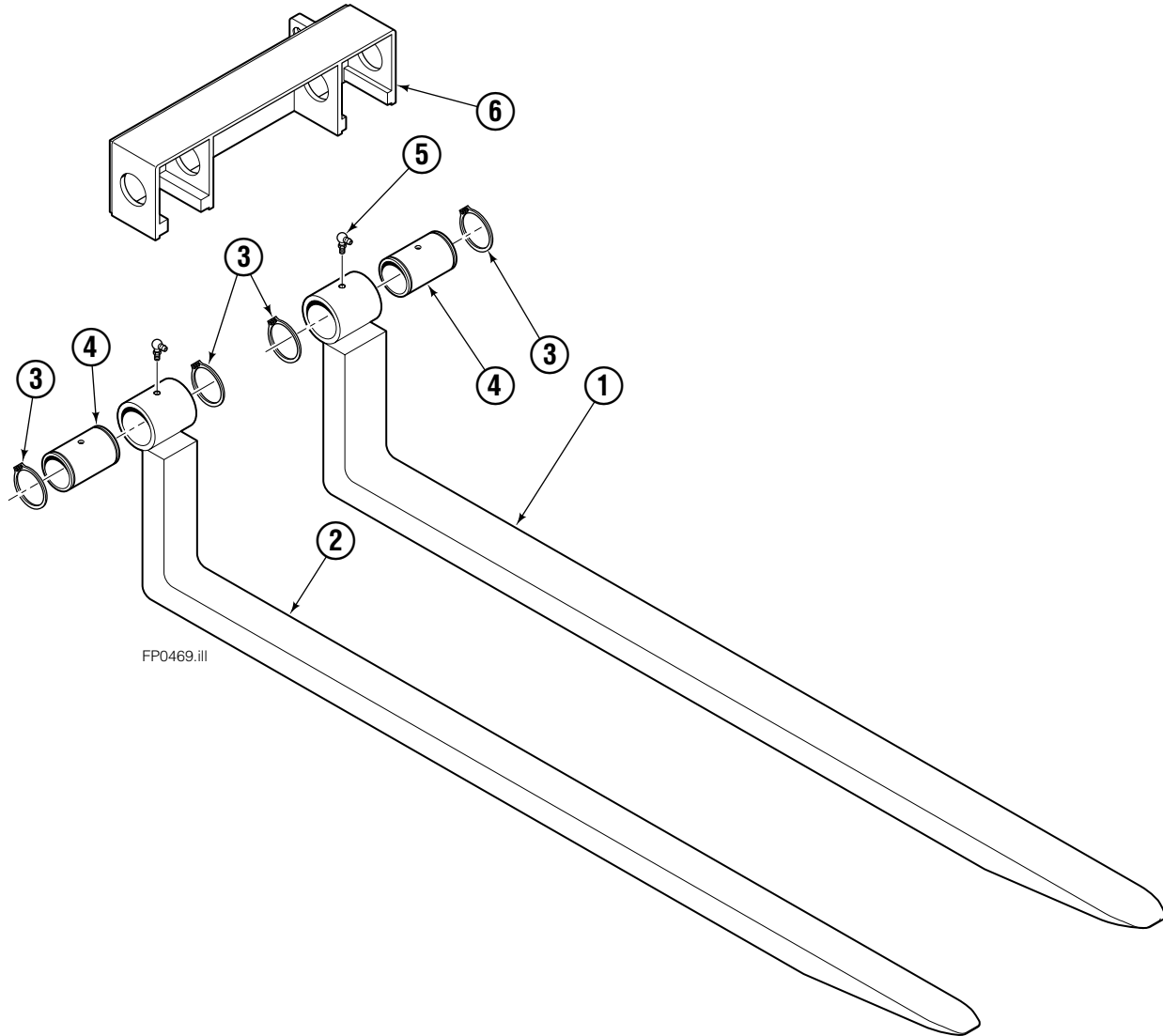


FP0468.iii

300J			
REF	QTY	PART NO.	DESCRIPTION
		6104845	Outer Fork Group – RH
1	1	6104825	Fork Assembly
2	1	6104670	Fork Assembly
3	4	7227	Retaining Ring ◆
4	2	6104835	Bushing ◆
5	2	828470	Grease Fitting ◆
6	1	6009839	Fork Carrier – RH ●

- ◆ Included in Fork Assemblies 6104825 and 6104670.
- Not included in Fork Group.

# LH Outer Fork Group



FP0469.ill

300J			
REF	QTY	PART NO.	DESCRIPTION
		6104846	Outer Fork Group – LH
1	1	6104670	Fork Assembly
2	1	6104825	Fork Assembly
3	4	7227	Retaining Ring ◆
4	2	6104835	Bushing ◆
5	2	828470	Grease Fitting ◆
6	1	6104873	Fork Carrier – LH ●

- ◆ Included in Fork Assemblies 6104825 and 6104670.
- Not included in Fork Group.





**Do you have questions you need answered right now?** Call your nearest Cascade Parts Department.

**Cascade Corporation**  
2501 Sheridan Avenue  
Springfield, OH 45505  
Tel: 888-CASCADE (227-2233)  
FAX: 888-329-0234  
www.cascorp.com

**Cascade Canada Inc.**  
5570 Timberlea Blvd.  
Mississauga, Ontario  
Canada L4W-4M6  
Tel: 905-629-7777  
FAX: 905-629-7785

**Cascade GmbH**  
D-41199 Monchengladbach  
Klosterhofweg 52  
Germany  
Tel: 21-66-602091  
FAX: 21-66-680947

**Cascade Finland**  
01370 Vantas  
Finland  
Tel: 358-0-836-1925  
FAX: 358-0-836-1935

**Cascade N.V.  
European Headquarters**  
P.O. Box 3009  
1300 El Almere  
Damsluisweg 56  
1332 ED Almere  
The Netherlands  
Tel: 31-36-5492911  
FAX: 31-36-5492964

**Cascade N.V.  
Benelux Sales and Service**  
P.O. Box 3009  
1300 El Almere  
Damsluisweg 56  
1332 ED Almere  
The Netherlands  
Tel: 31-36-5492950  
FAX: 31-36-5492974

**Cascade (UK) Ltd.**  
15, Orgreave Crescent  
Dore House Industrial Estate  
Handsworth  
Sheffield S13 9NQ  
England  
Tel: 742-697524  
FAX: 742-695121

**Cascade Scandinavia  
Hydraulik A.B.**  
Muskötgatan 19, E8-9  
S25466 Helsingborg  
Sweden  
Tel: 42-151135  
FAX: 42-152997

**Cascade Norway**  
Østerliveien 37A  
1153 Oslo  
Norway  
Tel: 47-22-743160  
FAX: 47-22-743157

**Cascade France S.A.R.L.**  
11, Rue Jean Charcot  
Zone Industrielle Sud or  
B.P. 22  
91421 Morangis Cedex  
France  
Tel: 1- 64547501  
FAX: 1-9790584

**Cascade Hispania S.A.**  
Avenida De La Fabregada, 7  
Hospitalet De Llobregat  
Barcelona  
Spain  
Tel: 3-335-5158  
FAX: 3-335-4756

**Cascade Japan Ltd.**  
5-5-41,  
Torikai Kami  
Settsu, Osaka  
Japan, 566  
Tel: 81-726-53-3490  
FAX: 81-726-53-3497

**Cascade Korea**  
Room 508, Pum Yang Bldg.  
750-14, Bang Bac-Dong  
Se-Cho Ku, Seoul  
Korea  
Tel: 2599-7131 ext. 512  
FAX: 2533-8089

**HYCO-Cascade Pty. Ltd.**  
1445 Ipswich Road  
Rocklea,  
Queensland 4107  
Australia  
Tel: 3-274-2722  
FAX: 3-274-3456

**HYCO-Cascade (NZ) Ltd.**  
15 Ra Ora Drive, East Tamaki  
P.O. Box 38-440  
Howick, Auckland  
New Zealand  
Tel: 9-273-9136  
FAX: 9-273-9137

**Cascade (Africa) Pty. Ltd.**  
P.O. Box 625, Isando 1600  
60A Steel Road  
Sparton, Kempton Park  
South Africa  
Tel: 975-9240  
FAX: 394-1147

**Cascade-Xiamen**  
No. 668 Yangguang Rd.  
Xinyang Industrial Zone  
Haicang, Xiamen  
Fujian Province  
P.R. China 361026  
Tel: 592-651-2500  
FAX: 592-651-2571

**Cascade (Singapore)  
Trading Co.**  
Four Seasons Park  
Autumn Block - Apt. 1802  
12 Cascaden Walk  
Singapore  
Tel: 65-834-1935  
FAX: 65-834-1936

