



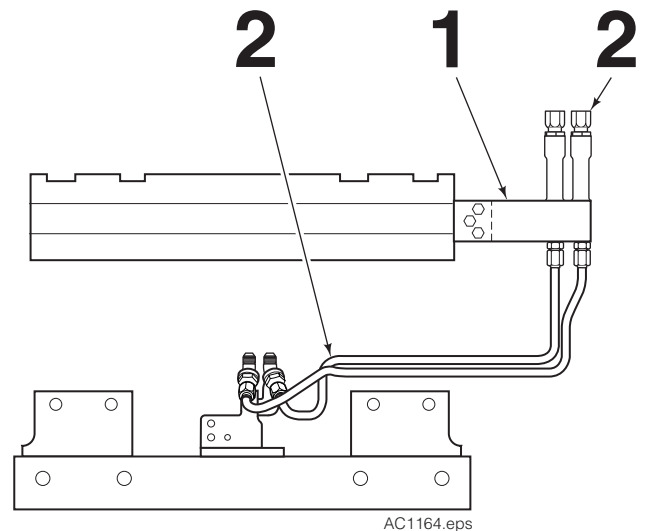
Installation Instructions

C-Series Integral Sideshifter & K-Series Fork Positioner Installation Kits for Toyota Masts

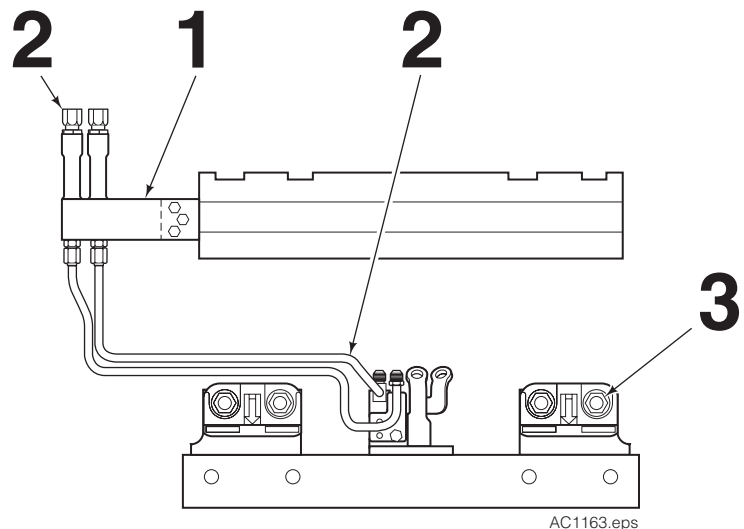
This sheet provides installation instructions for Cascade Installation Kits. Each kit provides hoses and tubes to connect a Cascade Integral Sideshifter or Fork Positioner to a Toyota truck.

High Termination Installation Kits

- 1** Install the port weldment to the upper carriage bracket. Tighten the capscrews to a torque of 15 ft.-lbs. (20 Nm).
- 2** Connect the tubes and fittings to the port weldment and hose terminal fittings. **4th Function Kits** – Tighten the tube bracket capscrews to a torque of 15 ft.-lbs. (20 Nm).
- 3** **4th Function Kits** – Install lower hooks. Adjust hooks to .09 in. (1.2 mm) clearance with sideshifter lower carriage bar. Tighten capscrews to a torque of 120 ft.-lbs. (163 Nm).



3rd Function Kits



4th Function Kits

Part No. 6058610-R2

cascade[®]
corporation

For Technical Support . . .

Call: 1-800-227-2233 Fax: 1-888-329-8207
Internet: www.cascorp.com
Write: Cascade Corporation, PO Box 20187, Portland, OR 97294

To Order Parts . . .

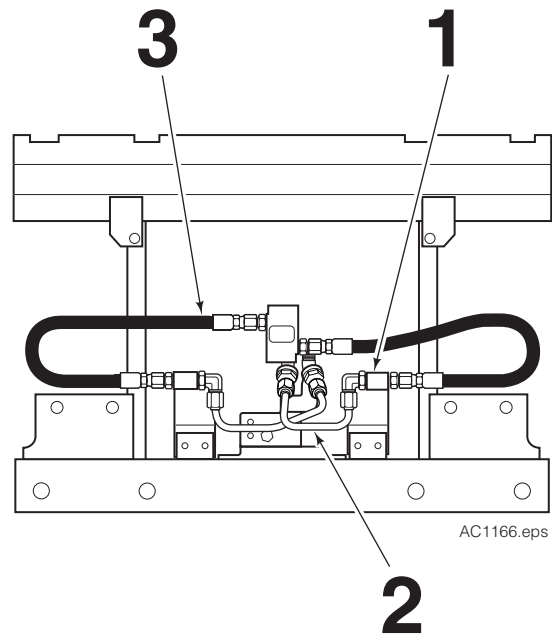
Call: 1-888-227-2233 Fax: 1-888-329-0234
Internet: www.cascorp.com
Write: Cascade Corporation, 2501 Sheridan Ave., Springfield, OH 45505

Fork Positioner Installation Kits

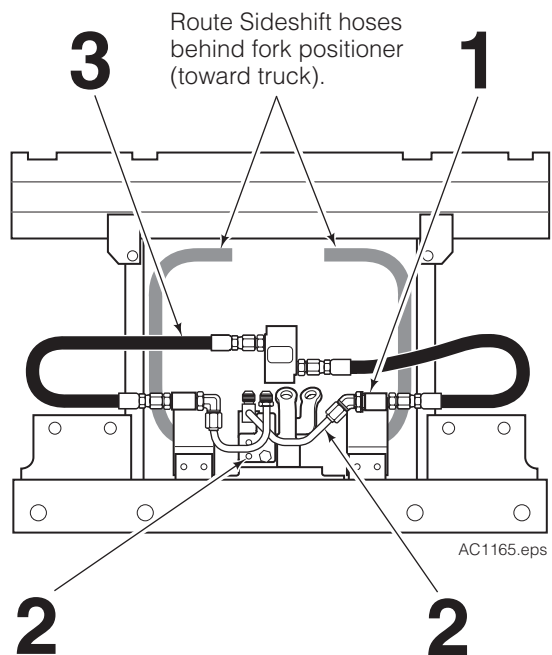
- 1** Install the brackets and fittings to the carriage brackets. Tighten the capscrews to a torque of 15 ft.-lbs. (20 Nm).
- 2** Connect the tubes to the bracket fittings and carriage hose terminal fittings. **4th Function Kits** – Tighten the tube bracket capscrews to a torque of 15 ft.-lbs. (20 Nm).
- 3** Install hoses to the bracket fittings and fork positioner supply fittings. Position hoses to track smoothly without kinking or fore/aft movement.

IMPORTANT: 4th Function Kits – Route the sideshift hoses behind the fork positioner (toward truck).

3rd Function Kits

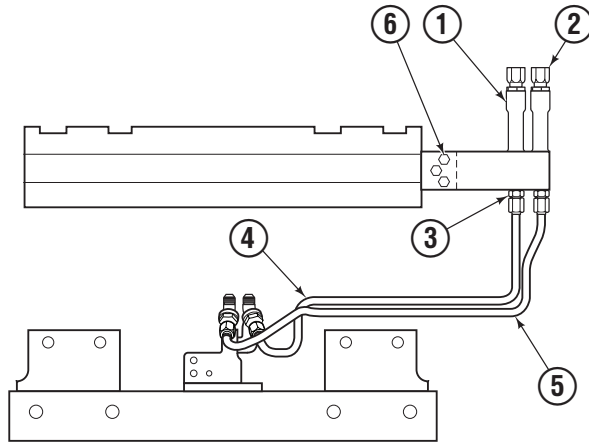


4th Function Kits



High Termination Installation Kits

3rd Function



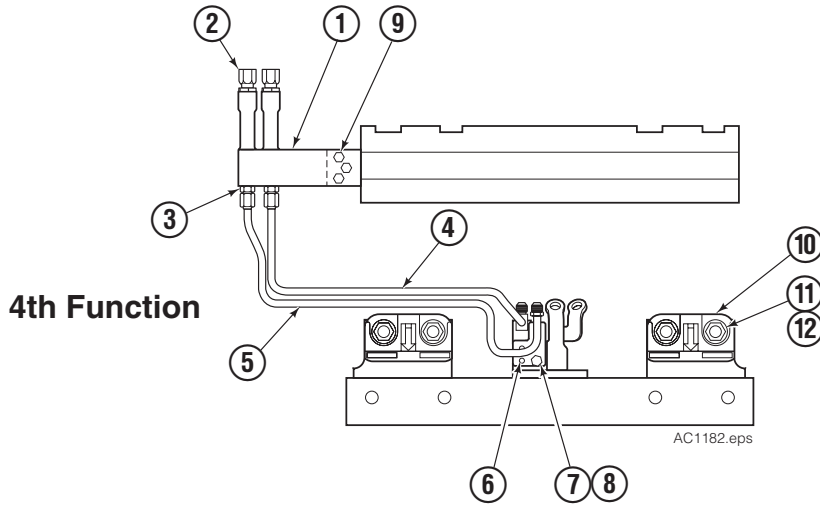
AC1183.eps

REF	QTY	35C-ISS-A087	35C-ISS-A090	DESCRIPTION
		PART NO.	PART NO.	
		6058645	6071952	High Termination Kit
1	1	6058621	6078828	Port Weldment
2	2	6043723	6043723	Fitting, 8
3	2	604511	604511	Fitting, 6-6
4	1	6058646	6078831	Tube
5	1	6058647	6078830	Tube
6	3	787372	787372	Capscrew, M8 x 20

REF	QTY	55C-ISS-A086	55C-ISS-A087	55C-ISS-A094	55C-ISS-A096	55C-ISS-A098	DESCRIPTION
		PART NO.	PART NO.	PART NO.	PART NO.	PART NO.	
		6058620	6058564	6071953	6071954	6071955	High Termination Kit
1	1	6058621	6058500	6058621	6078870	6058500	Port Weldment
2	2	6043723	6043723	6043723	6043723	6043723	Fitting, 8
3	2	604511	604511	604511	604511	604511	Fitting, 6-6
4	1	6058537	6058537	6078864	6078831	6078864	Tube
5	1	6058520	6058520	6078863	6078830	6078863	Tube
6	3	787372	787372	787372	787372	787372	Capscrew, M8 x 20

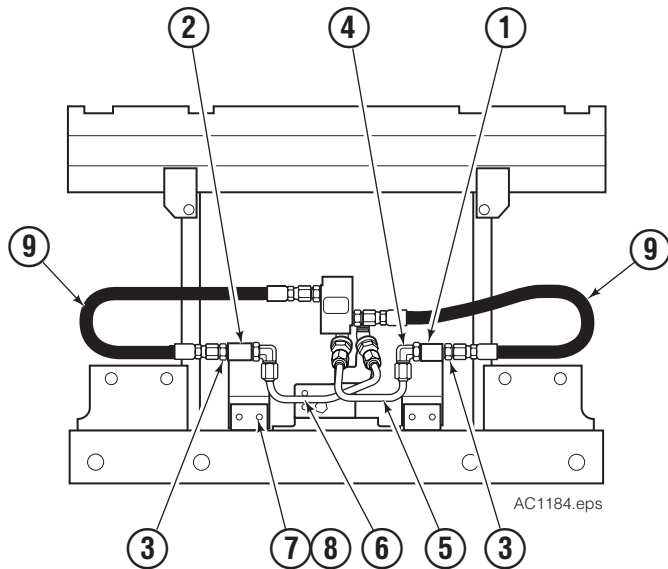
REF	QTY	70C-ISS-B086	70C-ISS-B087	70C-ISS-B093	70C-ISS-B096	DESCRIPTION
		PART NO.	PART NO.	PART NO.	PART NO.	
		6058655	6058716	6071957	6071958	High Termination Kit
1	1	6058656	6058717	6058656	6058717	Port Weldment
2	2	6043723	6043723	6043723	6043723	Fitting, 8
3	2	604511	604511	604511	604511	Fitting, 6-6
4	1	6058658	6058658	6078920	6078920	Tube
5	1	6058657	6058657	6078919	6078919	Tube
6	3	787372	787372	787372	787372	Capscrew, M8 x 20

High Termination Installation Kits

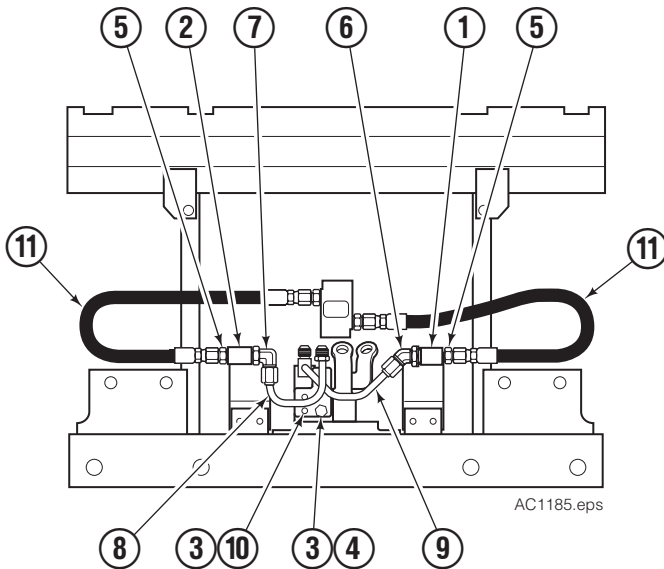


REF	QTY	35C-ISS-A087	55C-ISS-A086	55C-ISS-A087	70C-ISS-B086	70C-ISS-B087	DESCRIPTION
		PART NO.	PART NO.	PART NO.	PART NO.	PART NO.	
		6058625	6058615	6058543	6058649	6058670	High Termination Kit
1	1	6058616	6058616	6058455	6058650	6058671	Port Weldment
2	2	6043723	6043723	6043723	6043723	6043723	Fitting, 8
3	2	604511	604511	604511	604511	604511	Fitting, 6-6
4	1	6058644	6058494	6058494	6058653	6058653	Tube
5	1	6058643	6058493	6058493	6058652	6058652	Tube
6	2	787375	787375	787375	787375	787375	Capscrew, M8 x 20
7	1	787389	787389	787389	787389	787389	Lockwasher, M8
8	1	767961	767961	767961	767961	767961	Capscrew, M8 x 16
9	3	787372	787372	787372	787372	787372	Capscrew, M8 x 20
10	2	8515168	8515168	8515168	8515168	8515168	Lower Hook-Bronze
11	4	667225	667225	667225	667225	667225	Washer, .625
12	4	684295	684295	684295	684295	684295	Capscrew, M16 x 35

K-Series Fork Positioner Installation Kits



3rd Function Kit			
REF	QTY	PART NO.	DESCRIPTION
		6058734	Installation Kit
1	1	6056879	Bracket
2	1	6056878	Bracket
3	2	617915	Fitting, 4-4
4	2	601676	Fitting, 6-6
5	1	6058735	Tube
6	1	6058736	Tube
7	4	787389	Lockwasher, M8
8	4	767961	Capscrew, M8 x 16
9	2	6054403	Hose



4th Function Kit			
REF	QTY	PART NO.	DESCRIPTION
		6058795	Installation Kit
1	1	6056879	Bracket
2	1	6056878	Bracket
3	4	787389	Lockwasher, M8
4	4	767961	Capscrew, M8 x 16
5	2	617915	Fitting, 4-4
6	1	611302	Fitting, 6-6
7	1	601676	Fitting, 6-6
8	1	6058134	Tube
9	1	6058133	Tube
10	2	787375	Capscrew, M8 x 20
11	4	6054403	Hose

Do you have questions you need answered right now? Call your nearest Cascade Service Department. Visit us online at www.cascorp.com

AMERICAS

**Cascade Corporation
Parts Sales**
2501 Sheridan Ave.
Springfield, OH 45505
Tel: 888-CASCADE (227-2233)
Fax: 888-329-0234

Cascade Canada Inc.
5570 Timberlea Blvd.
Mississauga, Ontario
Canada L4W-4M6
Tel: 905-629-7777
Fax: 905-629-7785

Cascade do Brasil
Rua João Guerra, 134
Macuco, Santos - SP
Brasil 11015-130
Tel: 55-13-2105-8800
Fax: 55-13-2105-8899

EUROPE-AFRICA

**Cascade Italia S.R.L.
European Headquarters**
Via Dell'Artigianato 1
37050 Vago di Lavagno (VR)
Italy
Tel: 39-045-8989111
Fax: 39-045-8989160

Cascade (Africa) Pty. Ltd.
PO Box 625, Isando 1600
60A Steel Road
Sparton, Kempton Park
South Africa
Tel: 27-11-975-9240
Fax: 27-11-394-1147

ASIA-PACIFIC

Cascade Japan Ltd.
2-23, 2-Chome,
Kukuchi Nishimachi
Amagasaki, Hyogo
Japan, 661-0978
Tel: 81-6-6420-9771
Fax: 81-6-6420-9777

Cascade Korea
121B 9L Namdong Ind.
Complex, 691-8 Gojan-Dong
Namdong-Ku
Inchon, Korea
Tel: +82-32-821-2051
Fax: +82-32-821-2055

Cascade-Xiamen
No. 668 Yangguang Rd.
Xinyang Industrial Zone
Haicang, Xiamen City
Fujian Province
P.R. China 361026
Tel: 86-592-651-2500
Fax: 86-592-651-2571

**Cascade India Material
Handling Private Limited**
No 34, Global Trade Centre
1/1 Rambaugh Colony
Lal Bahadur Shastri Road,
Navi Peth, Pune 411 030
(Maharashtra) India
Phone: +91 020 2432 5490
Fax: +91 020 2433 0881

Cascade Australia Pty. Ltd.
1445 Ipswich Road
Rocklea, QLD 4107
Australia
Tel: 1-800-227-223
Fax: +61 7 3373-7333

Cascade New Zealand
15 Ra Ora Drive
East Tamaki, Auckland
New Zealand
Tel: +64-9-273-9136
Fax: +64-9-273-9137

**Sunstream Industries
Pte. Ltd.**
18 Tuas South Street 5
Singapore 637796
Tel: +65-6795-7555
Fax: +65-6863-1368

