



# Parts Manual

---

Model 25D Carton Clamp

Serial Number 25D-CCS-166

---

**cascade**<sup>®</sup>

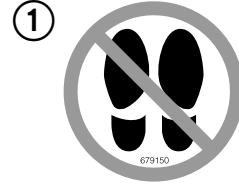
For Technical Assistance call: 800-227-2233, Fax: 888-329-8207

To Order Parts call: 888-227-2233, Fax: 888-329-0234

OR

Write: Cascade Corporation, P.O. Box 20187, Portland, OR 97220

# Safety Decals



| REF | QTY | PART NO. | DESCRIPTION             |
|-----|-----|----------|-------------------------|
| 1   | 1   | 679150   | No Step Decal           |
| 2   | 2   | 665595   | No Hand Hold Decal      |
| 3   | 1   | 679059   | Quick Change Hook Decal |

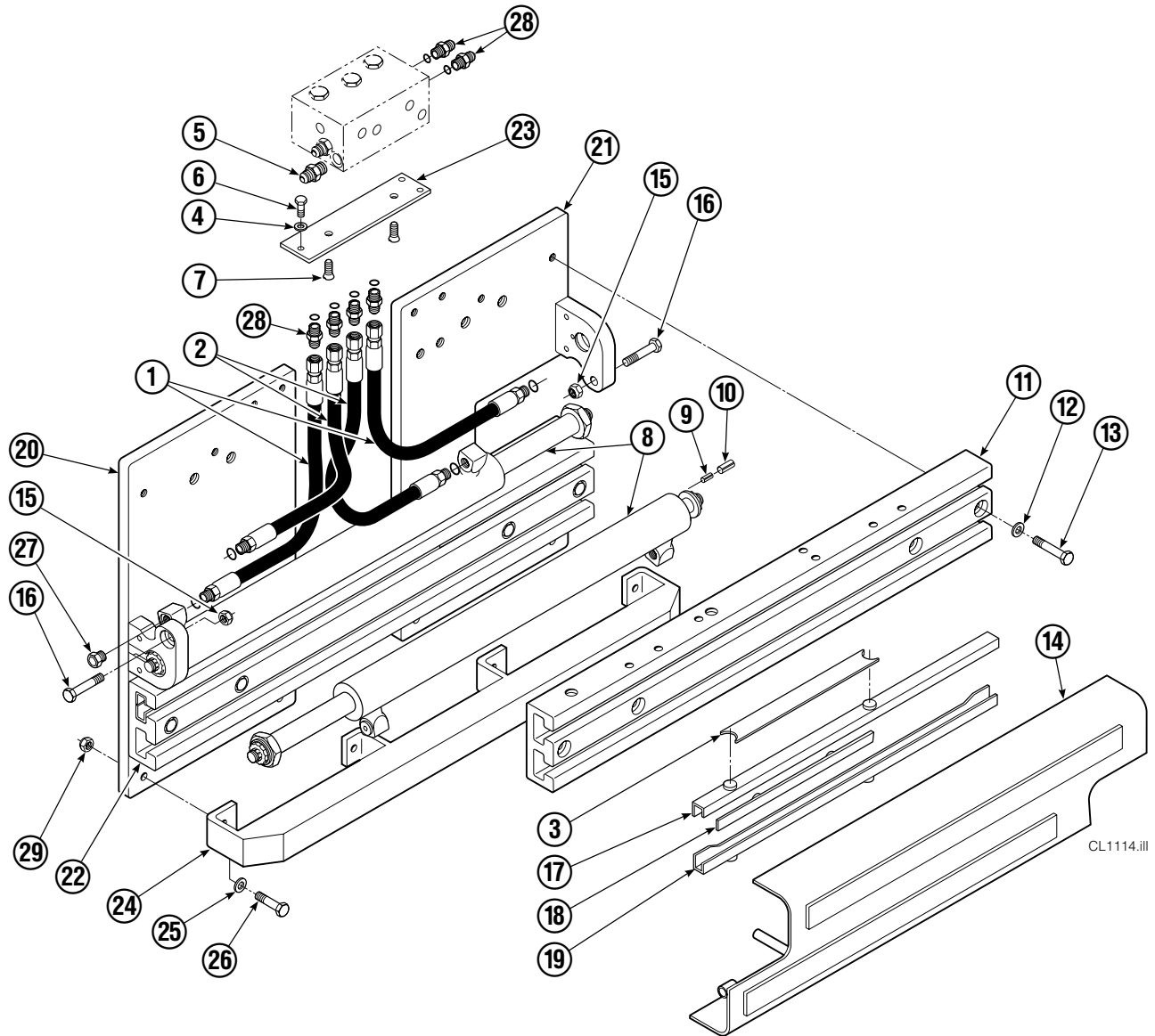
# Publications



GA0006.eps

| PART NO. | DESCRIPTION                     |
|----------|---------------------------------|
| 670487   | Service Manual                  |
| 670834   | Operators Guide                 |
| 670488   | Installation Instructions       |
| 680664   | Servicing Cascade Cylinders-VHS |
| 679929   | Tool Catalog                    |
| 673964   | Literature Index Order Form     |

# Base Unit Group



CL1114.iii

## 25D

| REF | QTY | PART NO. | DESCRIPTION      | REF | QTY | PART NO. | DESCRIPTION         |
|-----|-----|----------|------------------|-----|-----|----------|---------------------|
| 1   | 2   | 688700   | Hose, 26.6 in.   | 16  | 2   | 768414   | Capscrew, M12x65    |
| 2   | 2   | 688696   | Hose, 19.1 in.   | 17  | 4   | 208857   | Bearing             |
| 3   | 1   | 675326   | Shim Kit ■       | 18  | 4   | 667663   | Bearing             |
| 4   | 2   | 209021   | Washer, M10      | 19  | 4   | 208858   | Bearing             |
| 5   | 1   | 601377   | Fitting, 8-8     | 20  | 1   | 3009048  | Mounting Plate - RH |
| 6   | 2   | 684594   | Capscrew, M10x20 | 21  | 1   | 3009047  | Mounting Plate - LH |
| 7   | 2   | 766646   | Capscrew, M10x20 | 22  | 1   | 3010752  | Frame - Lower       |
| 8   | 2   | 386989   | Cylinder ▲       | 23  | 1   | 669957   | Plate               |
| 9   | 2   | 768953   | Roll Pin - Inner | 24  | 1   | 671545   | Bumper - Lower      |
| 10  | 2   | 769009   | Roll Pin - Outer | 25  | 4   | 683001   | Washer              |
| 11  | 1   | 3010751  | Frame - Upper    | 26  | 4   | 768556   | Capscrew, M12x45    |
| 12  | 16  | 202251   | Washer           | 27  | 2   | 602580   | Fitting, 8          |
| 13  | 8   | 684659   | Capscrew, M12x75 | 28  | 6   | 611288   | Fitting, 6-8        |
| 14  | 1   | 326795   | Bumper           | 29  | 4   | 688387   | Nut                 |
| 15  | 2   | 763025   | Nut, M12         |     |     |          |                     |

■ Includes two .015 Shims, and eight .020 Shims.

▲ See Cylinder page or parts breakdown.

Reference: Base Unit 3014931.

# Cylinder



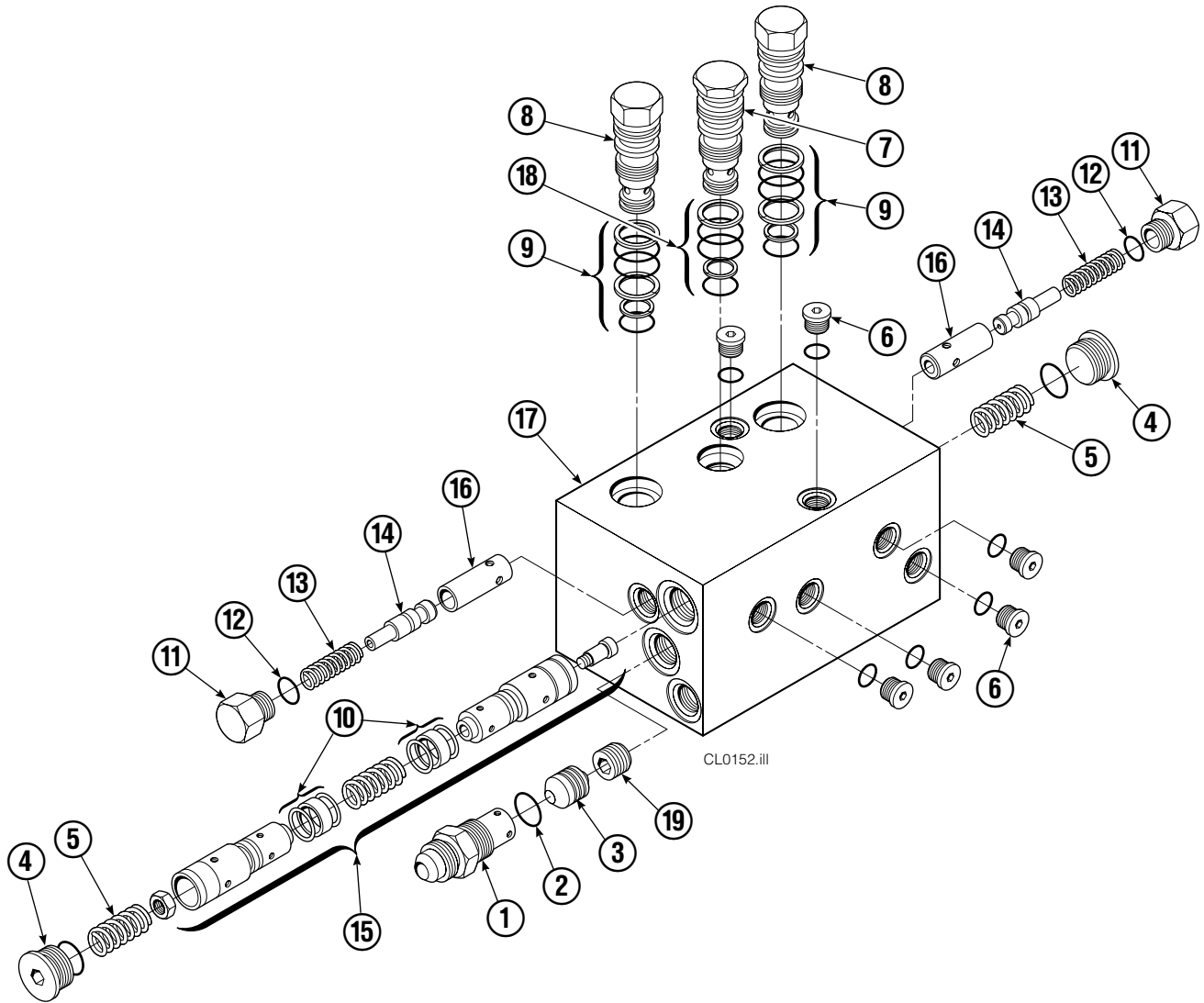
| 25D |     |          |                         |
|-----|-----|----------|-------------------------|
| REF | QTY | PART NO. | DESCRIPTION             |
|     |     | 386989   | Cylinder Assembly       |
| 1   | 2   | 6510     | Cotter Pin ■            |
| 2   | 2   | 667624   | Nut Retainer ■          |
| 3   | 2   | 667625   | Nut ■                   |
| 4   | 1   | 565069   | Shell                   |
| 5   | 1   | 602580   | Fitting                 |
| 6   | 1   | 558200   | Piston                  |
| 7   | 1   | 2716     | O-Ring ▲                |
| 8   | 1   | 662452   | Seal ▲                  |
| 9   | 1   | 2785     | O-Ring ▲                |
| 10  | 1   | 615128   | Back-Up Ring ▲          |
| 11  | 1   | 563906   | Retainer                |
| 12  | 1   | 662448   | Seal ▲                  |
| 13  | 1   | 638243   | Nylon Ring ▲            |
| 14  | 1   | 636853   | Wiper ▲                 |
| 15  | 1   | 667623   | Nut                     |
| 16  | 1   | 565070   | Rod                     |
| 17  | 1   | 667626   | Washer                  |
| 18  | 1   | —        | Spacer                  |
| 19  | 1   | 671047   | Seal Loader, Piston ▲   |
| 20  | 1   | 671051   | Seal Loader, Retainer ▲ |
|     |     | 668021   | Service Kit             |

▲ Included in Service Kit 668021.

■ Included in Nut Service Kit 668926.

Reference: S-7605, S-7658

# Check Valve



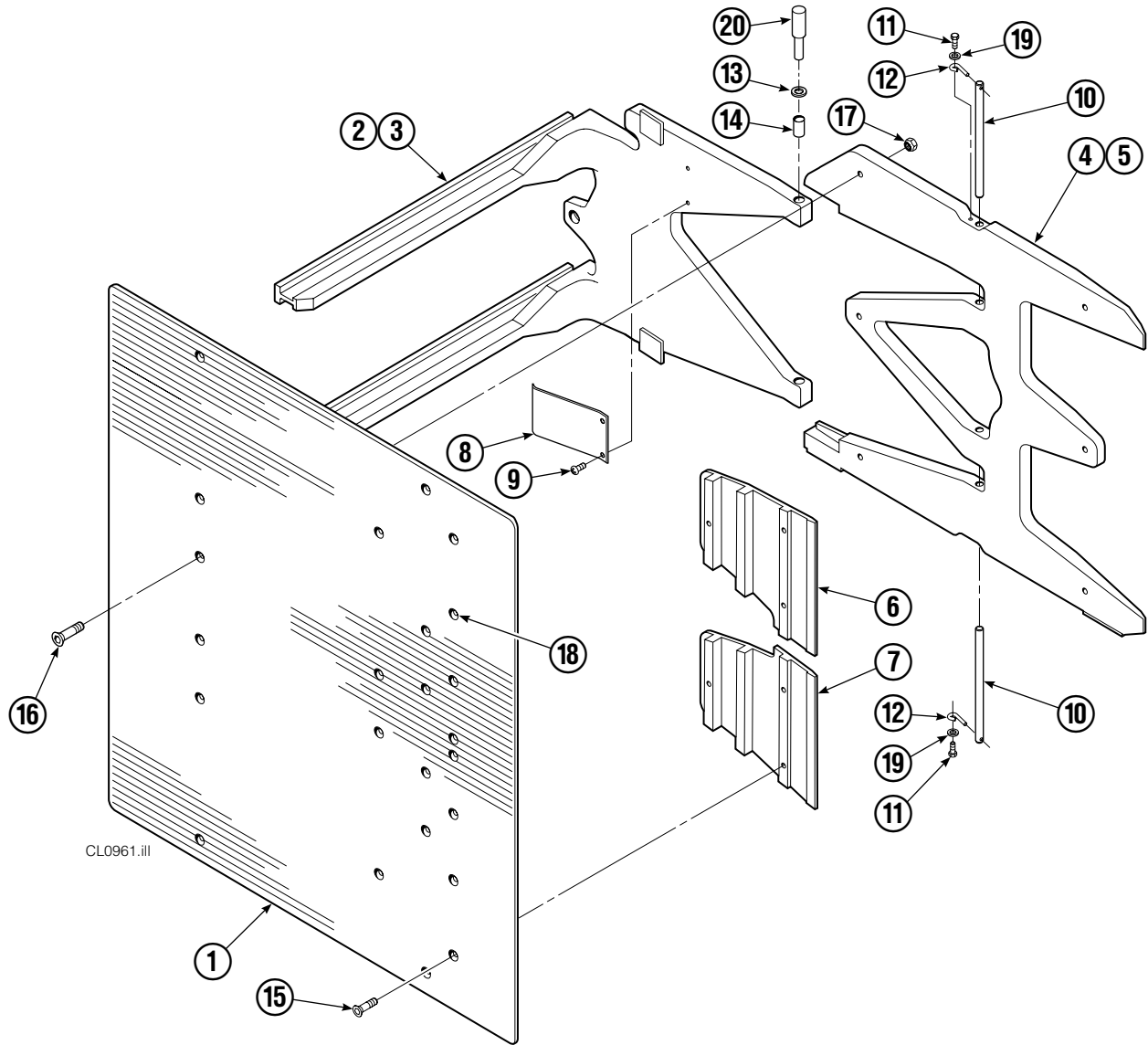
| REF | QTY | PART NO. | DESCRIPTION                | REF | QTY | PART NO. | DESCRIPTION                     |
|-----|-----|----------|----------------------------|-----|-----|----------|---------------------------------|
|     |     | 669762   | Check Valve – Flow Divider | 11  | 2   | 667494   | Fitting                         |
| 1   | 1   | 667490   | Special Fitting            | 12  | 2   | 2840     | O-Ring ●                        |
| 2   | 1   | 2841     | O-Ring ●                   | 13  | 2   | 673098   | Spring                          |
| 3   | 1   | 667471   | Spool                      | 14  | 2   | 667492   | Poppet                          |
| 4   | 2   | 609453   | Fitting, 10                | 15  | 1   | 673089   | Spool Assembly                  |
| 5   | 2   | 667487   | Spring                     | 16  | 2   | 667491   | Sleeve                          |
| 6   | 6   | 604510   | Fitting, 6                 | 17  | 1   | 669763   | Valve Body                      |
| 7   | 1   | 678270   | Check Valve – VPO          | 18  | 1   | 661347   | Service Kit ●                   |
| 8   | 2   | 659058   | Check Valve – PO           | 19  | 1   | 676343   | Regeneration Elimination Plug ■ |
| 9   | 2   | 667516   | Service Kit ●              |     |     | 667513   | Service Kit                     |
| 10  | 1   | 679846   | Low Flow Spool Kit         |     |     |          |                                 |

● Included in Service Kit 667513.

■ For eliminating regeneration circuit only. See Tech. Bulletin 121.

Reference: SK-5302.

# Arms and Pads



| 25D |     |          |                                  |     |     |          |                        |
|-----|-----|----------|----------------------------------|-----|-----|----------|------------------------|
| REF | QTY | PART NO. | DESCRIPTION                      | REF | QTY | PART NO. | DESCRIPTION            |
| 1   | 2   | 3012147  | Contact Pad                      | 10  | 4   | 210161   | Pin                    |
| 2   | 1   | 3012144  | Arm – LH                         | 11  | 4   | 787372   | Capscrew, M8 x 20      |
| 3   | 1   | 3012145  | Arm – RH                         | 12  | 4   | 682999   | Eye Pin                |
| 4   | 1   | 393839   | Stabilizer – LH                  | 13  | 8   | 675620   | Washer, M10            |
| 5   | 1   | 393856   | Stabilizer – RH                  | 14  | 8   | 200590   | Bushing                |
| 6   | 2   | 210180   | Filler Block – LH Upper/RH Lower | 15  | 12  | 766646   | Capscrew, M10 x 20     |
| 7   | 2   | 210179   | Filler Block – RH Lower/RH Upper | 16  | 12  | 768706   | Capscrew, M12 x 35     |
| 8   | 2   | 210154   | Spring                           | 17  | 12  | 773842   | Nut, M12               |
| 9   | 4   | 203405   | Capscrew, M10 x 16               | 18  | ▲   | 676841   | Contact Pad Repair Kit |
| 10  | 4   | 210161   | Pin                              | 19  | 4   | 787398   | Washer, M8             |
| 11  | 4   | 787372   | Capscrew, M8 x 20                | 20  | 1   | 675626   | Tool – Bushing Driver  |

Reference: 210495, 393822, SK-6390.

▲ Repairs one hole.

# Quick-Change Mounting Group



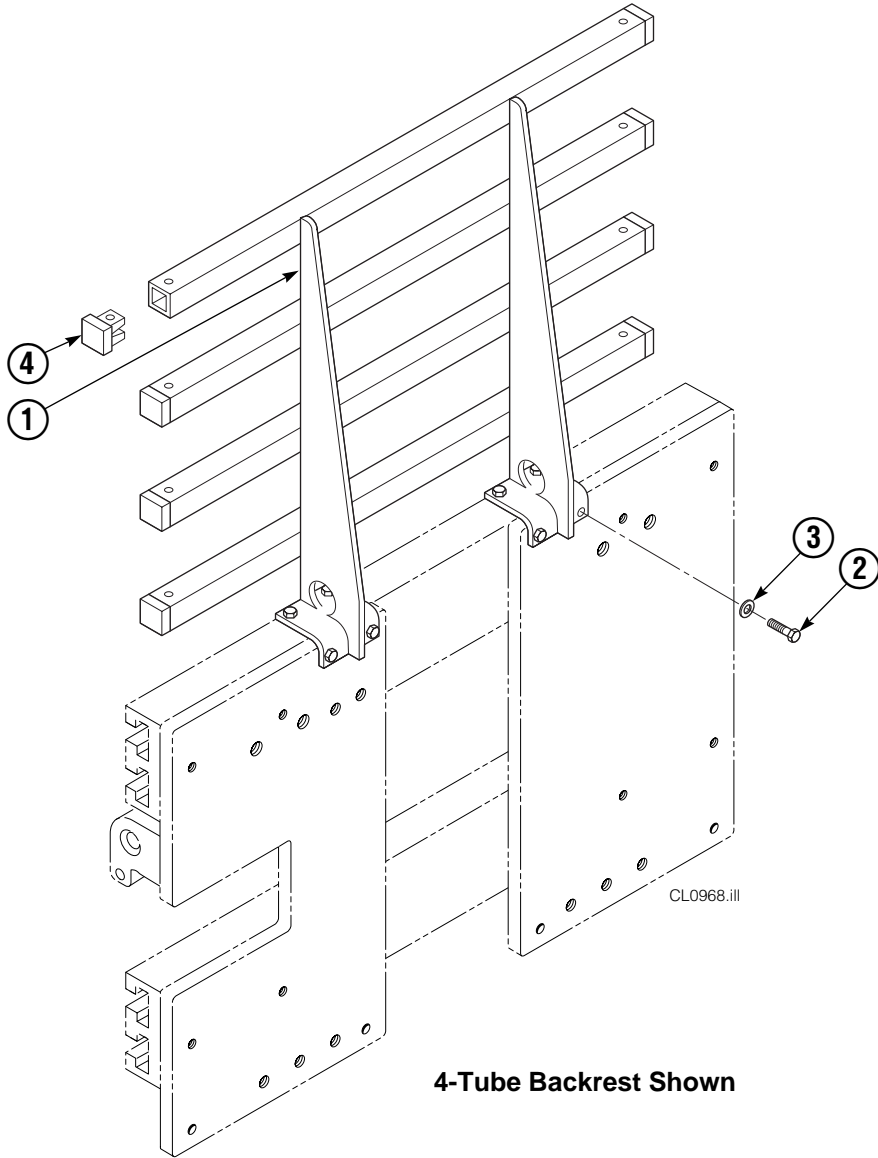
| REF | QTY | ITA II   | DESCRIPTION            |
|-----|-----|----------|------------------------|
|     |     | PART NO. |                        |
|     |     | 211162   | Upper Mounting Group ▲ |
|     |     | 211174   | Lower Mounting Group ● |
| 1   | 2   | 210491   | Upper Hook             |
| 2   | 4   | 768577   | Capscrew, M20 x 35     |
| 3   | 1   | 212999   | Center Key             |
| 4   | 2   | 211129   | Capscrew, M16 x 35     |
| 5   | 2   | 675514   | Lower Hook             |
| 6   | 2   | 675515   | Guide                  |
| 7   | 2   | 678832   | Pin                    |
| 8   | 4   | 211180   | Capscrew, M16 x 30     |

▲ Includes items 1–4.

● Includes items 5–8.

Reference: SK-6390.

# Backrest Group



| 25D |     |          |                  |
|-----|-----|----------|------------------|
| REF | QTY | PART NO. | DESCRIPTION      |
|     |     | 221578   | Backrest Group   |
| 1   | 1   | 669898   | Backrest         |
| 2   | 8   | 768810   | Capscrew, M10x30 |
| 3   | 8   | 667910   | Washer, M10      |
| 4   | 10  | 674356   | Tube End         |

Reference: SK-6390.

**Do you have questions you need answered right now?** Call your nearest Cascade Parts Department.

**Cascade Corporation**  
2501 Sheridan Avenue  
Springfield, OH 45505  
Tel: 888-CASCADE (227-2233)  
FAX: 888-329-0234

**Cascade Canada Inc.**  
5570 Timberlea Blvd.  
Mississauga, Ontario  
Canada L4W-4M6  
Tel: 905-629-7777  
FAX: 905-629-7785

**Cascade GmbH**  
D-41 199 Monchengladbach  
Klosterhofweg 52  
Germany  
Tel: 21-66-602091  
FAX: 21-66-680947

**Cascade Finland**  
01370 Vantas  
Finland  
Tel: 358-0-836-1925  
FAX: 358-0-836-1935

**Cascade N.V.  
European Headquarters**  
P.O. Box 3009  
1300 El Almere  
Damsluisweg 56  
1332 ED Almere  
The Netherlands  
Tel: 31-36-5492911  
FAX: 31-36-5492964

**Cascade N.V.  
Benelux Sales and Service**  
P.O. Box 3009  
1300 El Almere  
Damsluisweg 56  
1332 ED Almere  
The Netherlands  
Tel: 31-36-5492950  
FAX: 31-36-5492974

**Cascade (UK) Ltd.**  
15, Orgreave Crescent  
Dore House Industrial Estate  
Handsworth  
Sheffield S13 9NQ  
England  
Tel: 742-697524  
FAX: 742-695121

**Cascade Scandinavia  
Hydraulik A.B.**  
Muskötgatan 19, E8-9  
S25466 Helsingborg  
Sweden  
Tel: 42-151135  
FAX: 42-152997

**Cascade Norway**  
Østerliveien 37A  
1153 Oslo  
Norway  
Tel: 47-22-743160  
FAX: 47-22-743157

**Cascade France S.A.R.L.**  
11, Rue Jean Charcot  
Zone Industrielle Sud or  
B.P. 22  
91421 Morangis Cedex  
France  
Tel: 1- 64547501  
FAX: 1-9790584

**Cascade Hispania S.A.**  
Avenida De La Fabregada, 7  
Hospitalet De Llobregat  
Barcelona  
Spain  
Tel: 3-335-5158  
FAX: 3-335-4756

**Cascade Japan Ltd.**  
5-5-41,  
Torikai Kami  
Settsu, Osaka  
Japan, 566  
Tel: 81-726-53-3490  
FAX: 81-726-53-3497

**Cascade Korea**  
Room 508, Pum Yang Bldg.  
750-14, Bang Bac-Dong  
Se-Cho Ku, Seoul  
Korea  
Tel: 2599-7131 ext. 512  
FAX: 2533-8089

**HYCO-Cascade Pty. Ltd.**  
1445 Ipswich Road  
Rocklea,  
Queensland 4107  
Australia  
Tel: 3-274-2722  
FAX: 3-274-3456

**HYCO-Cascade (NZ) Ltd.**  
15 Ra Ora Drive, East Tamaki  
P.O. Box 38-440  
Howick, Auckland  
New Zealand  
Tel: 9-273-9136  
FAX: 9-273-9137

**Cascade (Africa) Pty. Ltd.**  
P.O. Box 625, Isando 1600  
60A Steel Road  
Sparton, Kempton Park  
South Africa  
Tel: 975-9240  
FAX: 394-1147

**Cascade-Xiamen**  
Wanshan No. 1 Workshop  
Huli Road  
Xiamen 361006  
Fujian, PRC  
Tel: 592-562-4600  
FAX: 592-562-4671

**Cascade (Singapore)  
Trading Co.**  
Four Seasons Park  
Autumn Block - Apt. 1802  
12 Cascaden Walk  
Singapore  
Tel: 65-834-1935  
FAX: 65-834-1936

