



Parts Manual

Model Single-Double Pallet Handler

Catalog Number 22G-FDS-A221 R6

cascade®
corporation

For Technical Assistance call: 800-227-2233, Fax: 888-329-8207

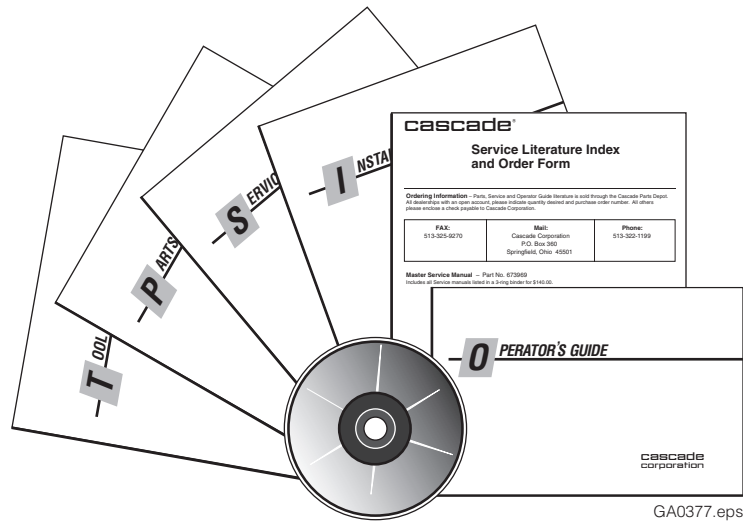
To Order Parts call: 888-227-2233, Fax: 888-329-0234

OR

Write: Cascade Corporation, P.O. Box 20187, Portland, OR 97220

Internet: www.cascorp.com

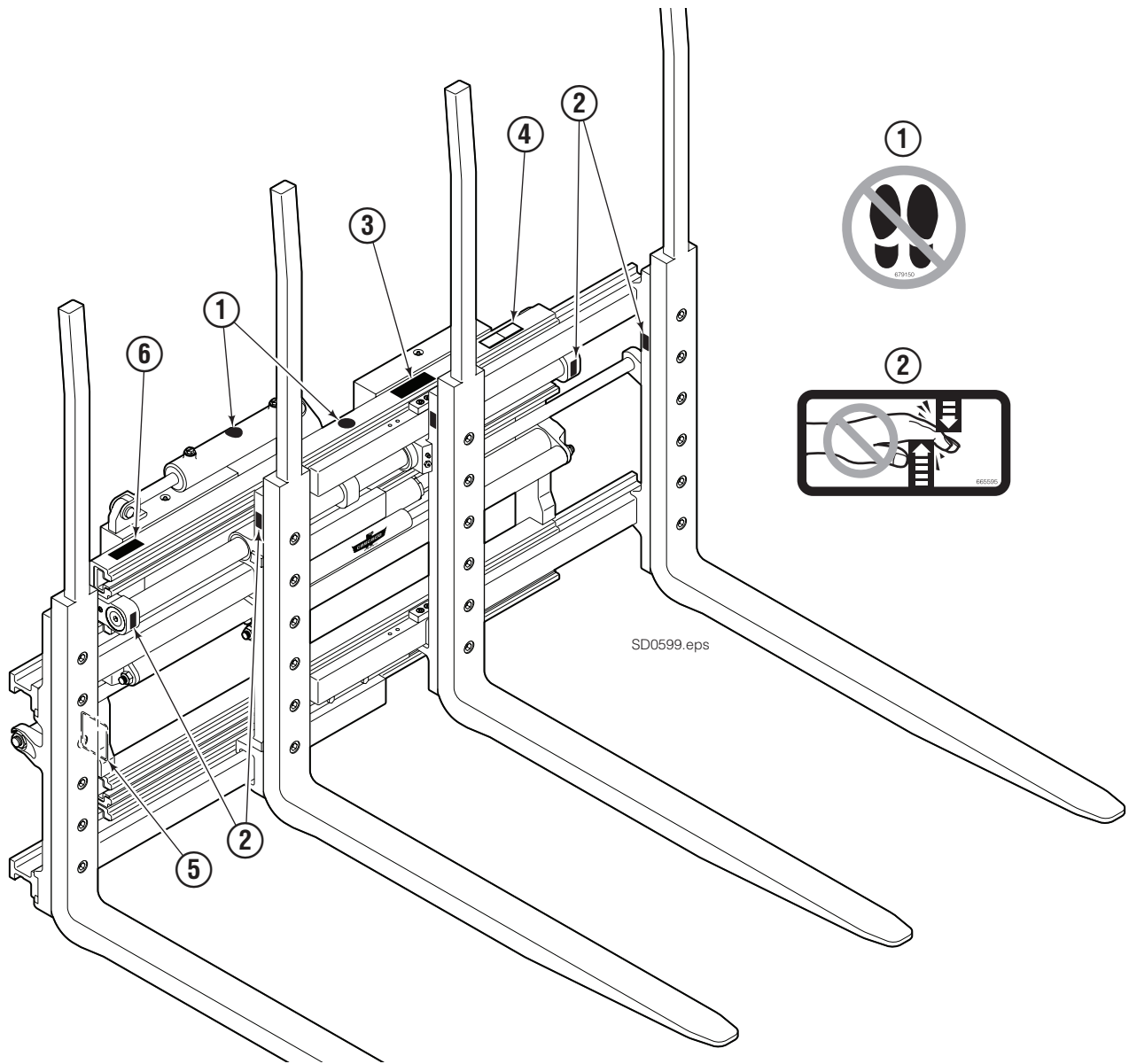
Publications



GA0377.eps

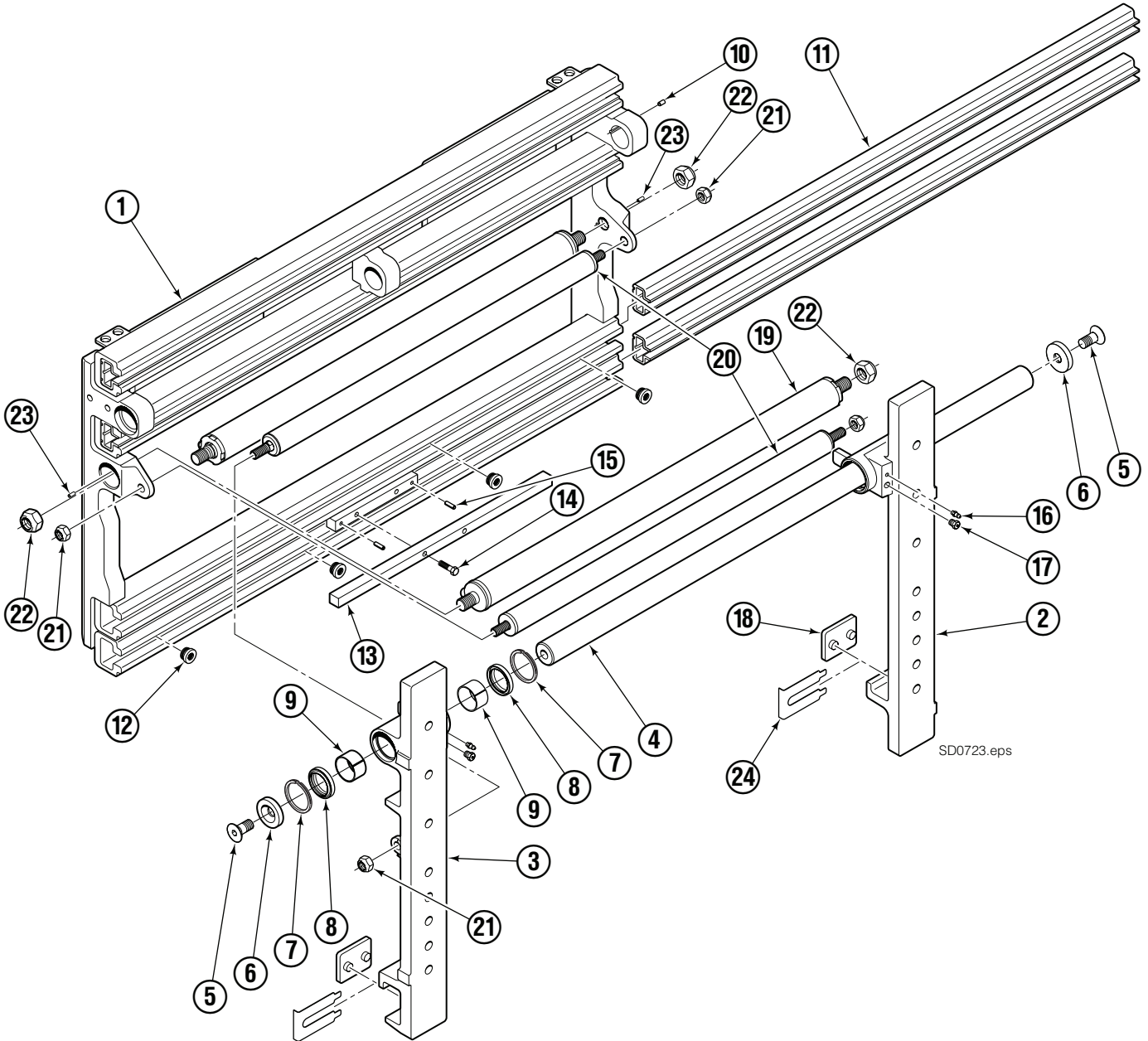
G Single-Double	
6070971	Installation Instructions
6130934	Operator Guide
6072517	Service Manual
6036696	Driver Training Video – CD
679929	Tool Catalog
673964	Literature Index Order Form

Safety Decals



G Single-Double			
REF	QTY	PART NO.	DESCRIPTION
1	2	679150	No Step Decal
2	8	665595	No Hand Hold Decal
3	1	6229149	Nameplate
4	1	6229145	Nameplate – Single Capacity
5	1	655268	Patent Plate
6	1	6071983	Close Forks Decal

Base Unit



SD0723.eps

22G							
REF	QTY	PART NO.	DESCRIPTION	REF	QTY	PART NO.	DESCRIPTION
		6076059	Base Unit	12	8	6028433	Bearing Retainer Plug
	1	6076058	Frame Assembly ♦	13	1	6066883	Fork Stop
1	1	6076057	Frame	14	2	765352	Capscrew, M8 x 30
2	1	6071859	Inner Fork Carrier – LH	15	2	767811	Roll Pin
3	1	6071858	Inner Fork Carrier – RH	16	2	424115	Lube Fitting
4	1	6138136	Bar	17	2	6069835	Relief Fitting
5	2	388348	Capscrew, M16 x 35	18	2	6069530	Pad Assembly
6	2	6069483	Upper Pin Retainer	19	2	6138137	Cylinder ●
7	4	6070661	Retaining Ring	20	2	6138142	Spring Cylinder
8	4	6066832	Seal	21	4	6066555	Nut, M14
9	4	6066556	Bushing	22	4	783800	Nut, M20
10	2	209776	Dowel Pin	23	2	768992	Roll Pin
11	4	6138135	Arm Bearing	24	1	6088014	Shim Kit ■

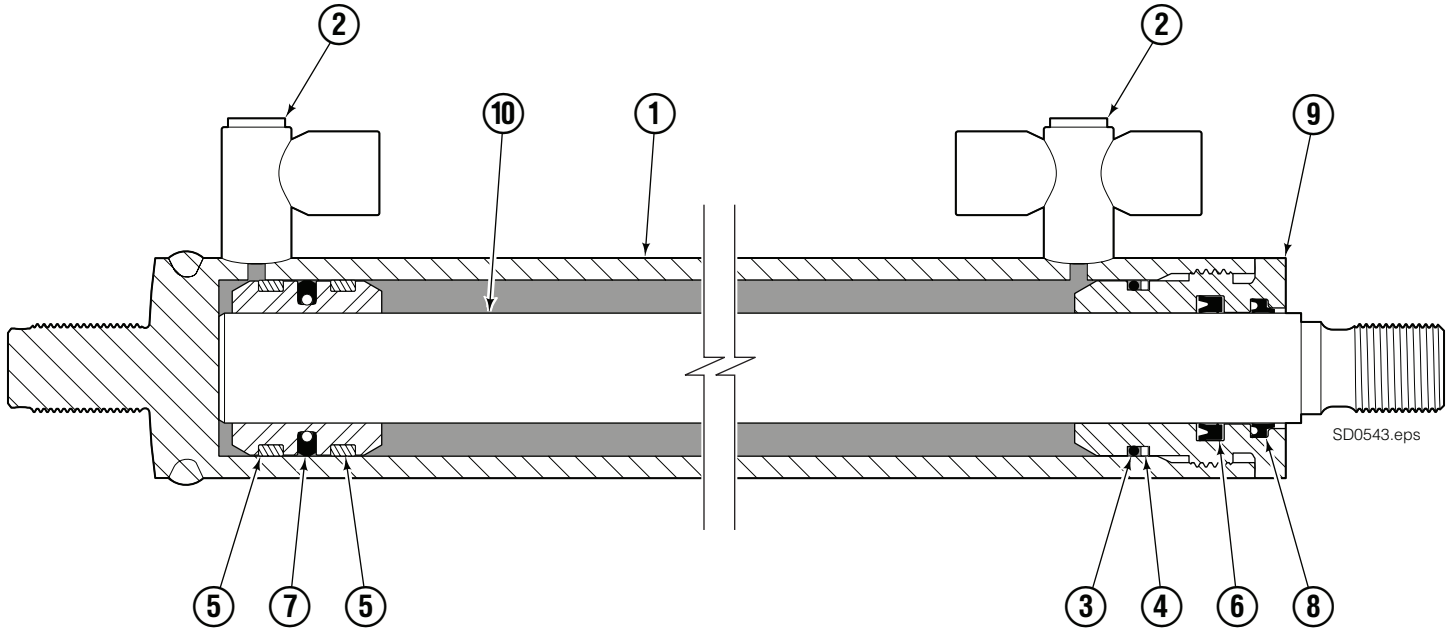
♦ Includes items 1-17.

● See Cylinder page for parts breakdown.

■ If required for Fork tip alignment. Not included in Base Unit.

Reference: Fastener Kit 6067507, SK-10050, S-10051.

Cylinder

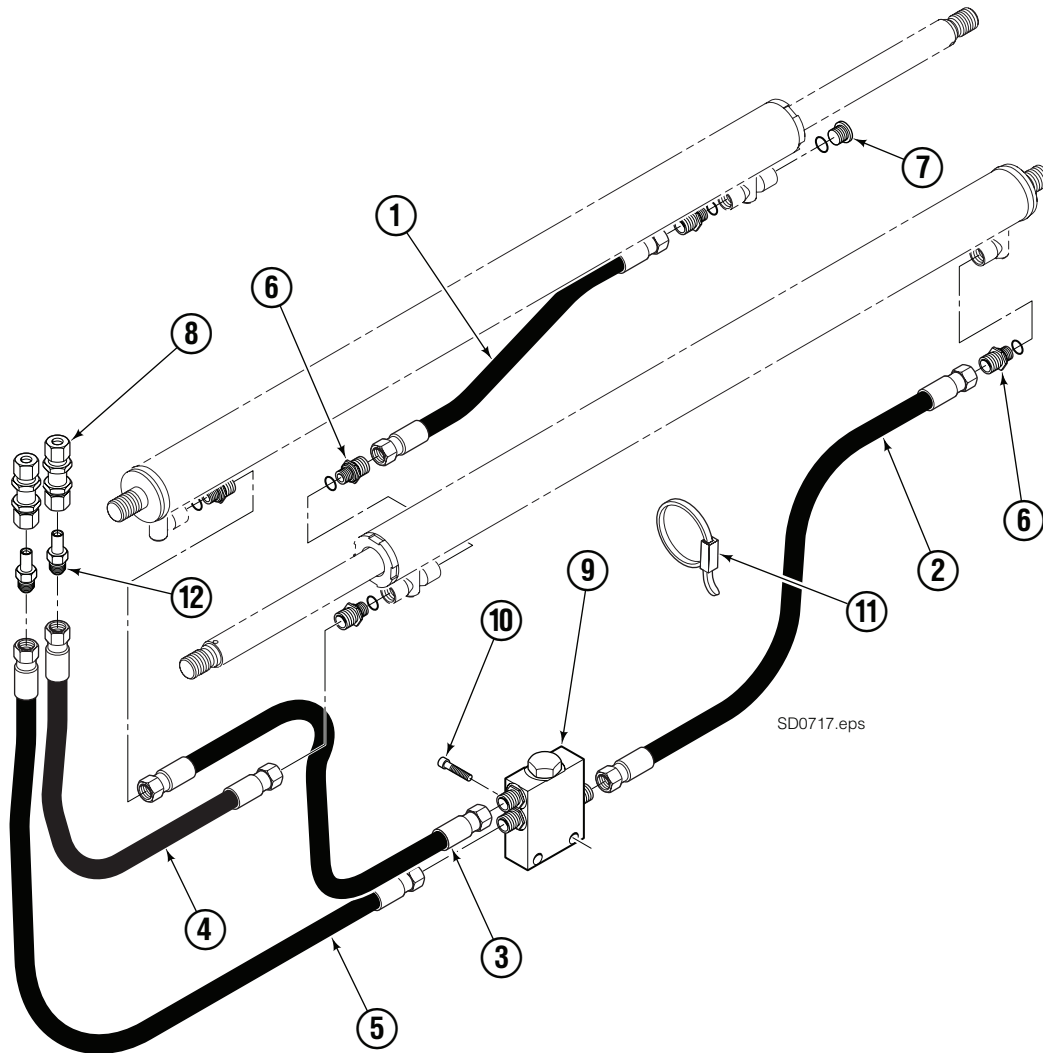


22G			
REF	QTY	PART NO.	DESCRIPTION
		6138137	Cylinder
1	1	6138140	Shell
2	2	663694	Plug, 3
3	1	6066334	O-Ring ◆
4	1	6066370	Backup Ring ◆
5	2	6066318	Piston Ring ◆
6	1	6066303	Rod Seal ◆
7	1	6066320	Piston Seal ◆
8	1	6066280	Rod Wiper ◆
9	1	6065874	Retainer
10	1	6138138	Piston/Rod Assembly
		6068008	Service Kit

◆ Included in Service Kit 6068008.

Reference: S-22885.

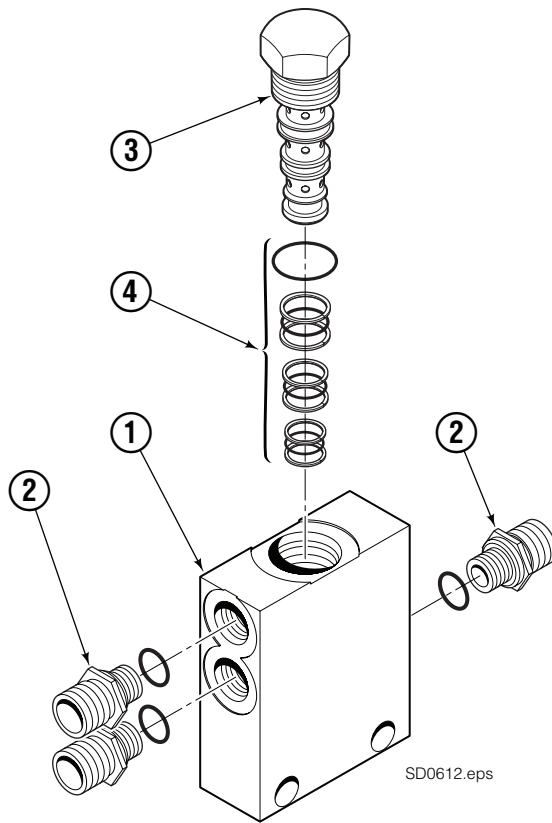
Hydraulic Group



22G			
REF	QTY	PART NO.	DESCRIPTION
		6138149	Hydraulic Group (R3)
1	1	6086551	Hose, 455 mm
2	1	6138170	Hose, 575 mm
3	1	6137924	Hose, 610 mm
4	1	6076995	Hose, 455 mm
5	1	6076989	Hose, 890 mm
6	5	778100	Fitting, 6 SAE – M10 L Series
7	1	604510	Plug, 6
8	2	6072245	Fitting
9	1	6072308	Valve Assembly ♦
10	2	768787	Capscrew, M6 x 30
11	4	200008	Cable Tie
12	2	6076514	Adapter Fitting

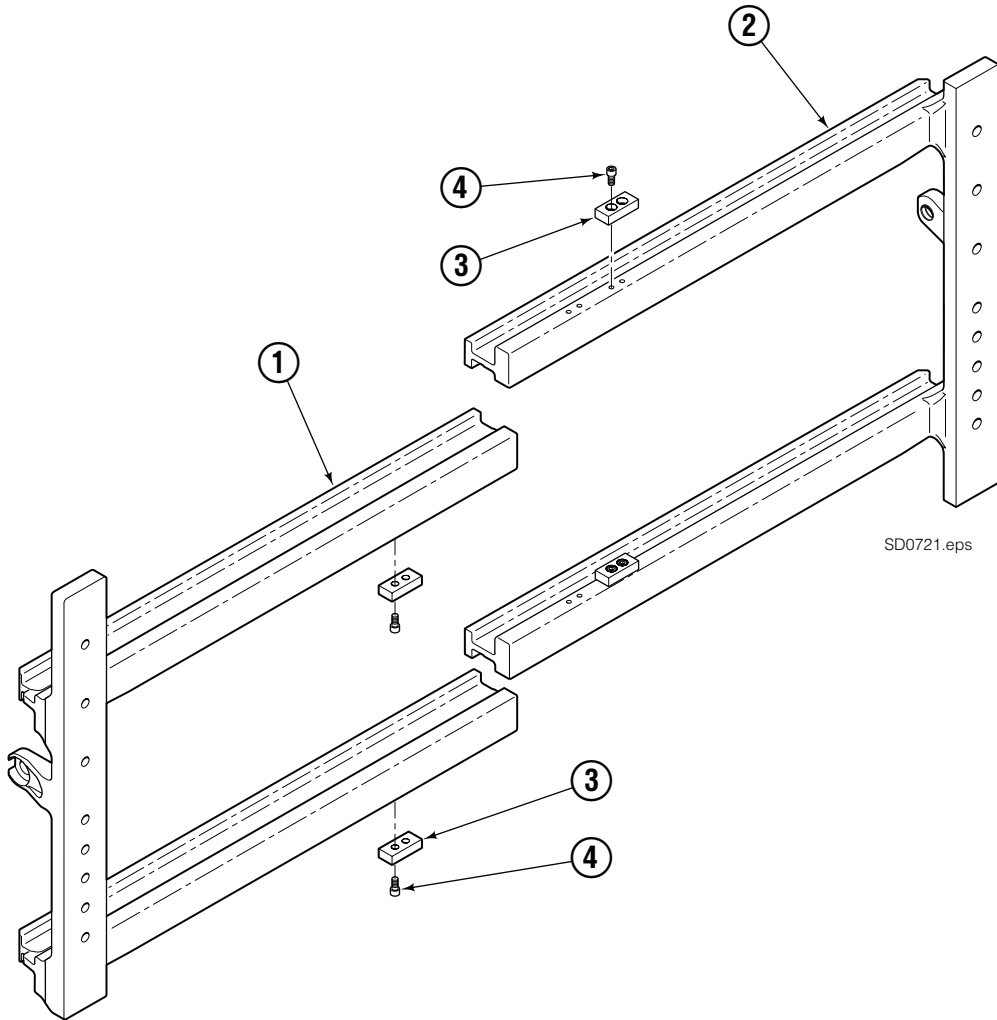
♦ See Valve page for parts breakdown.
Reference: S-23086, Fitting Group 6076518.

Valve Assembly



22G			
REF	QTY	PART NO.	DESCRIPTION
		6072308	Valve Assembly
1	1	6072310	Valve Body
2	3	752555	Fitting, 6 SAE – M10 L-Series
3	1	210266	Flow Divider/Combiner
4	1	6071170	Seal Kit

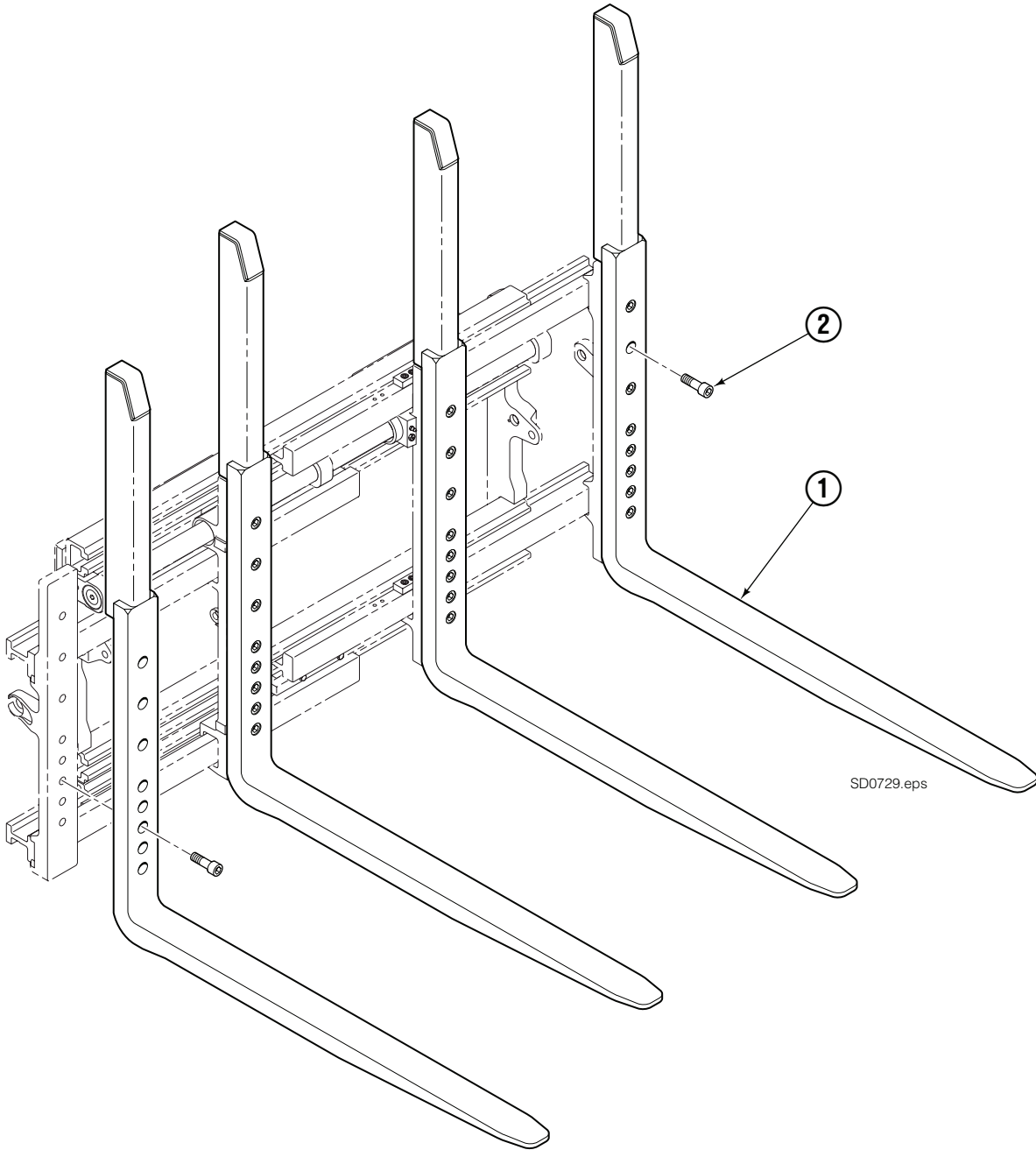
Fork Carrier Group



22G			
REF	QTY	PART NO.	DESCRIPTION
		6138145	Fork Carrier Group
1	1	6082005	Fork Carrier, RH
2	1	6082095	Fork Carrier, LH
3	4	6066470	Fork Stop
4	8	219596	Capscrew, M8 x 16

Reference: Fastener Kit 6067507, SK-9720, S-23332, S-23334.

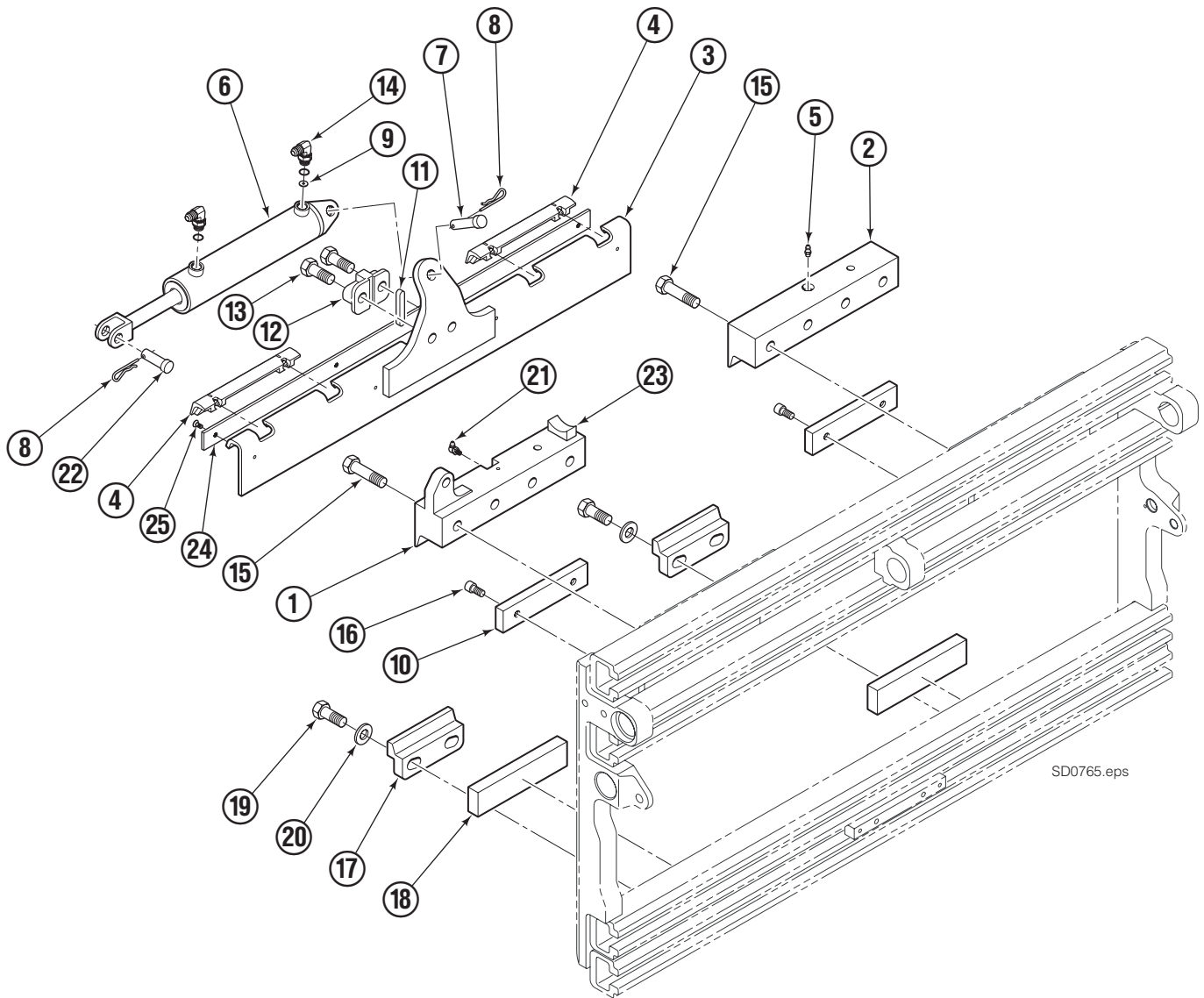
Forks



22G			
REF	QTY	PART NO.	DESCRIPTION
1	4	6076713	Fork
2	32	769576	Capscrew, M16 x 45

Reference: Fastener Kit 6072887, SK-9261, S-23198.

Sideshift Mounting Group



SD0765.eps

Class II

REF	QTY	PART NO.	DESCRIPTION	REF	QTY	PART NO.	DESCRIPTION
		6067466	Sideshift Group (R13) ▲	13	2	219529	◆ Capscrew, M16 x 40
		6071856	Lower Hook Group (R4) ▼	14	2	601676	Fitting, 6-6
1	1	6081063	Upper Mounting Hook, RH	15	8	6040801	Capscrew, M16 x 60
2	1	6081143	Upper Mounting Hook, LH	16	4	768809	Capscrew, M10 x 16
3	1	6081563	Anchor Bracket	17	2	6066574	Lower Hook
4	2	6127049	Upper Bearing	18	2	6070838	Lower Bearing
5	1	7403	Grease Fitting	19	4	214991	Capscrew, M16 x 45
6	1	675548	Sideshift Cylinder ●	20	4	667225	Washer
7	1	678525	Clevis Pin	21	1	6082821	Grease Fitting
8	2	672726	Cotter Pin	22	1	671176	Clevis Pin
9	1	675550	Restrictor Washer	23	1	6085314	Cylinder Support Pad
10	2	6066570	Spacer	24	1	6125861	Spacer Plate
11	1	209542	◆ Key	25	4	768684	Capscrew, M6 x 10
12	1	6131029	◆ Key				

▲ Includes items 1-13 & 21-23.

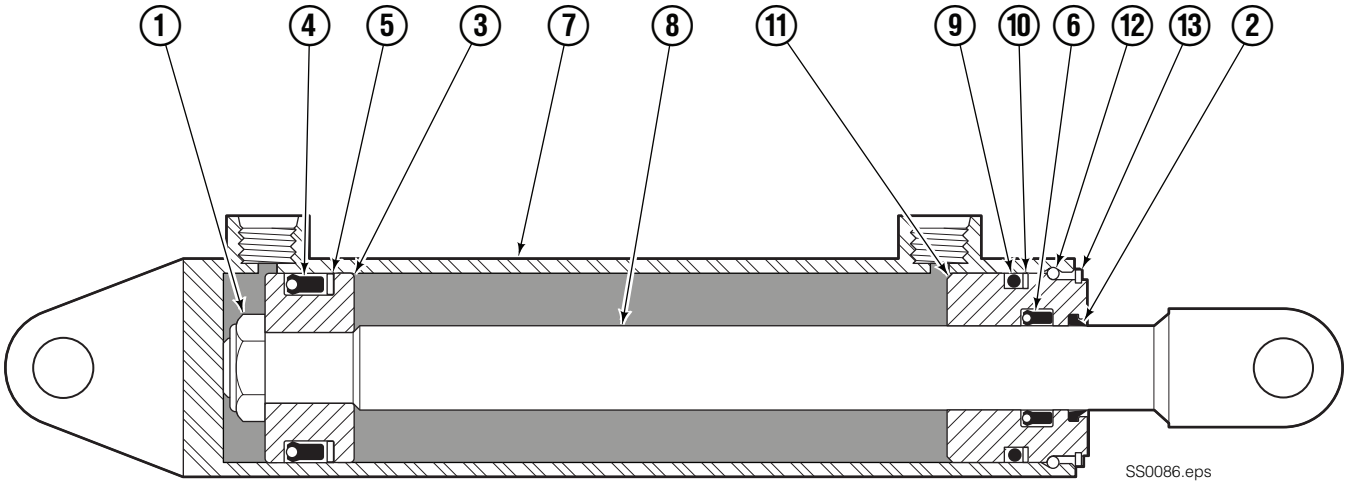
▼ Includes items 17-20.

● See Sideshift Cylinder page for parts breakdown.

◆ Included with Anchor Bracket 6081563.

Reference: Fitting Group 6076518, Fastener Kit 6067507.

Sideshift Cylinder

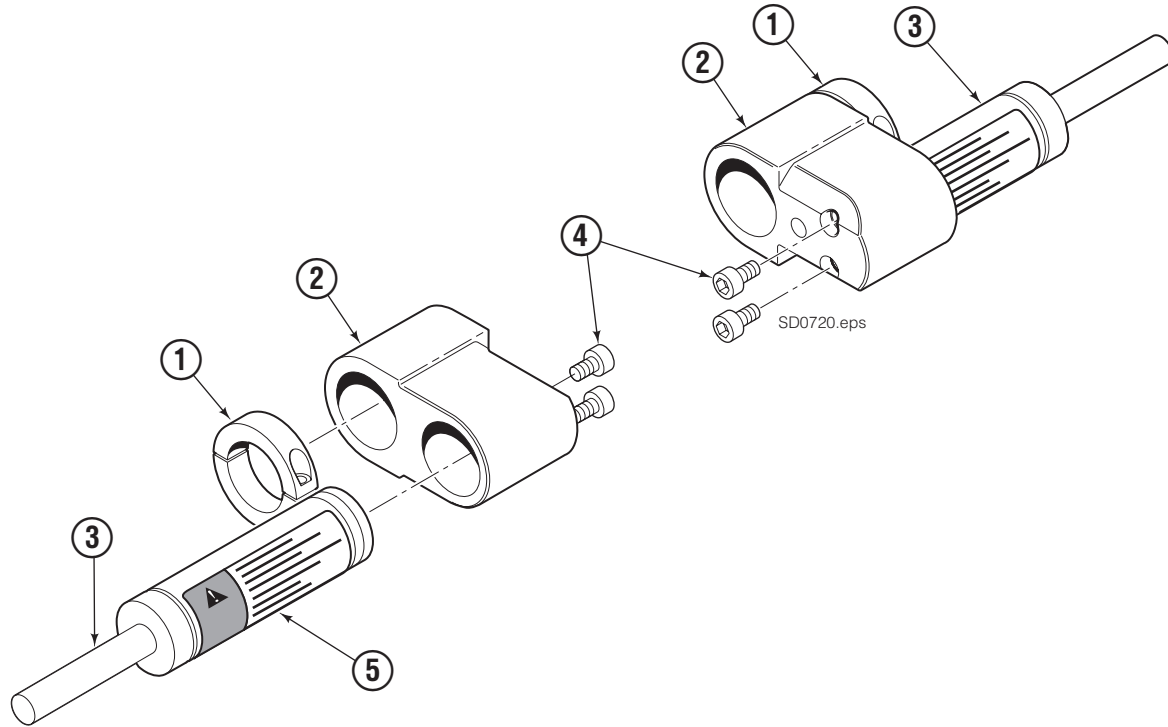


SS0086.eps

REF	QTY	PART NO.	DESCRIPTION
		675548	Cylinder Assembly
1	1	553857	Nut
2	1	636851	■ Wiper
3	1	553501	Piston
4	1	662452	■ Seal
5	1	638247	■ Back-up Ring
6	1	641835	■ Seal
7	1	675549	Shell
8	1	553499	Rod
9	1	2785	■ O-Ring
10	1	615128	■ Back-up Ring
11	1	553500	Retainer
12	1	553856	Retaining Ring
13	1	7202	Snap Ring
		553861	Service Kit

■ Included in Service Kit 553861.

Inner Fork Control Group



22G			
REF	QTY	PART NO.	DESCRIPTION
		6135608	Inner Fork Control Group
1	2	6066892	Collar - Split
2	2	6082541	Bracket
3	2	6146611	Gas Cylinder
4	4	6405504	Capscrew, M6 x 12
5	2	6074935	Safety Decal

Do you have questions you need answered right now? Call your nearest Cascade Parts Department. Visit us online at www.cascorp.com

**Cascade Corporation
U.S. Headquarters**
2201 NE 201st
Fairview, OR 97024-9718
Tel: 800-CASCADE (227-2233)
FAX: 888-329-8207

Cascade Canada Inc.
5570 Timberlea Blvd.
Mississauga, Ontario
Canada L4W-4M6
Tel: 905-629-7777
FAX: 905-629-7785

Cascade GmbH
Niederwippekühl 1
58579 Schalksmühle
Germany
Tel: 02355-50900
FAX: 02355-509020

Cascade Finland
A. Petreliuksenkatu 3
01370 Vantaa
Finland
Tel: 09-8361925
FAX: 09-8361935

**Cascade N.V.
Benelux Sales and Service**
Damsluisweg 56
PO Box 3009
1300 El Almere
The Netherlands
Tel: 036-5492950
FAX: 036-5492974

Cascade Kenhar Ltd.
3 Kelbrook Road
Parkhouse Ind. Estate
Openshaw,
Manchester M11 2DD
England
Tel: 0800-243015
FAX: 0161-4384055

**Sales Scotland
Macade Systems Ltd.**
18 Melford Road
Righead Ind. Estate
Bellshill ML4 3LR
Scotland
Tel: 01698-845777
FAX: 01698-845888

Cascade (Africa) Pty. Ltd.
PO Box 625, Isando 1600
60A Steel Road
Sparton, Kempton Park
South Africa
Tel: 27-11-975-9240
FAX: 27-11-394-1147

Cascade Scandinavia AB
Hammarvägen 10
PO Box 124
S-56723 Vaggeryd
Sweden
Tel: 039-336950
FAX: 039-336959

**Cascade France
S.A.R.L. MHP**
1D Rue De Charaintru BP 18,
91360 Epinay-Sur-Orge
France
Tel: 01-6454-7500
FAX: 01-6454-7501

Cascade Hispania S.A.
Carrer 5, Sector C
Zona Franca Duanera
Poligono de la Zona Franca
08040 Barcelona, Spain
Tel: 93-264-07-30
FAX: 93-264-07-31

Cascade Italia S.R.L.
Via Dell'Artigianato 1
37050 Vago di Lavagno (VR)
Italy
Tel: 39-045-8989111
FAX: 39-045-8989160

Movimenta Lda.
Parque Industrial
Vale do Alecrim, Lote 108
2950-403 Palmela
Portugal
Tel: 351-212387340
FAX: 351-212387349

**Sales Switzerland
Fahrzeugbedarf**
8810, Horgen
Switzerland
Tel: 01-7279797
FAX: 01-7279798

Sales Poland
Targowa 35/61
03-728 Warszawa
Tel: 022-619 00 49
FAX: 022-619 00 49
Mobile Tel: 0501-27 29 55

Sales Russia
EMCG Material Handling
Equipment
Moscow
Tel: 095-795-2400
FAX: 095-795-2475
Email: emcg@emcg.ru

Cascade Japan Ltd.
5-5-41,
Torikai Kami
Settsu, Osaka
Japan, 566
Tel: 81-726-53-3490
FAX: 81-726-53-3497

Cascade Korea
121B 9L Namdong Ind.
Complex, 691-8 Gojan-Dong
Namdong-Ku
Inchon, 405-310 Korea
Tel: 82-32-821-2051
FAX: 82-32-821-2055

Cascade Australia
1445 Ipswich Road
Rocklea, QLD 4107
Australia
Tel: 1-800-227-223
FAX: 617-3373-7333

Cascade New Zealand
15 Ra Ora Drive
East Tamaki, Auckland
New Zealand
Tel: 64-9-273-9136
FAX: 64-9-273-9137

Cascade-Xiamen
No. 668 Yangguang Rd.
Xinyang Industrial Zone
Haicang, Xiamen City
Fujian Province
P.R. China 361026
Tel: 86-592-651-2500
FAX: 86-592-651-2571

**Sunstream Industries
Pte Ltd.**
No. 3 Tuas Link 1
2263
Singapore
Tel: 65-6863-3488
FAX: 65-6863-1368

**Cascade do Brasil
Distribuidora de Garras
e Garfos LTDA**
Rua João Guerra, 134
Macuco, Santos - SP
Brasil 11015-130
Tel: 55-13-2105-8800
Fax: 55-13-2105-8899

