



Parts Manual

Model Rotator - No Forks

Serial Number 150D-RRB-20C R0

cascade®
corporation

For Technical Assistance call: 800-227-2233, Fax: 888-329-8207

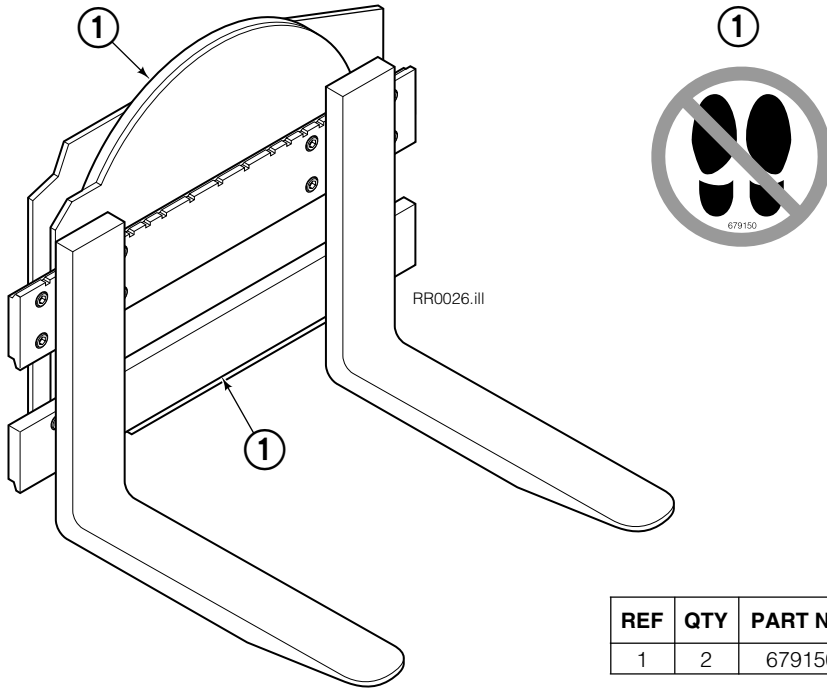
To Order Parts call: 888-227-2233, Fax: 888-329-0234

OR

Write: Cascade Corporation, P.O. Box 20187, Portland, OR 97220

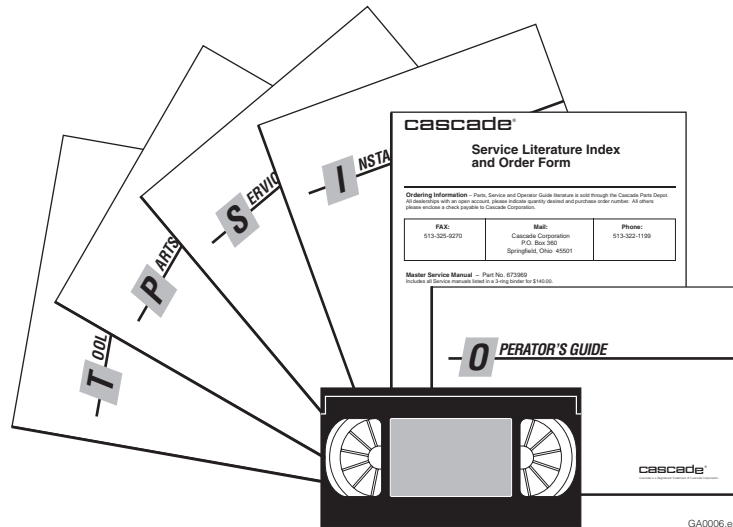
Internet: www.cascorp.com

Safety Decals



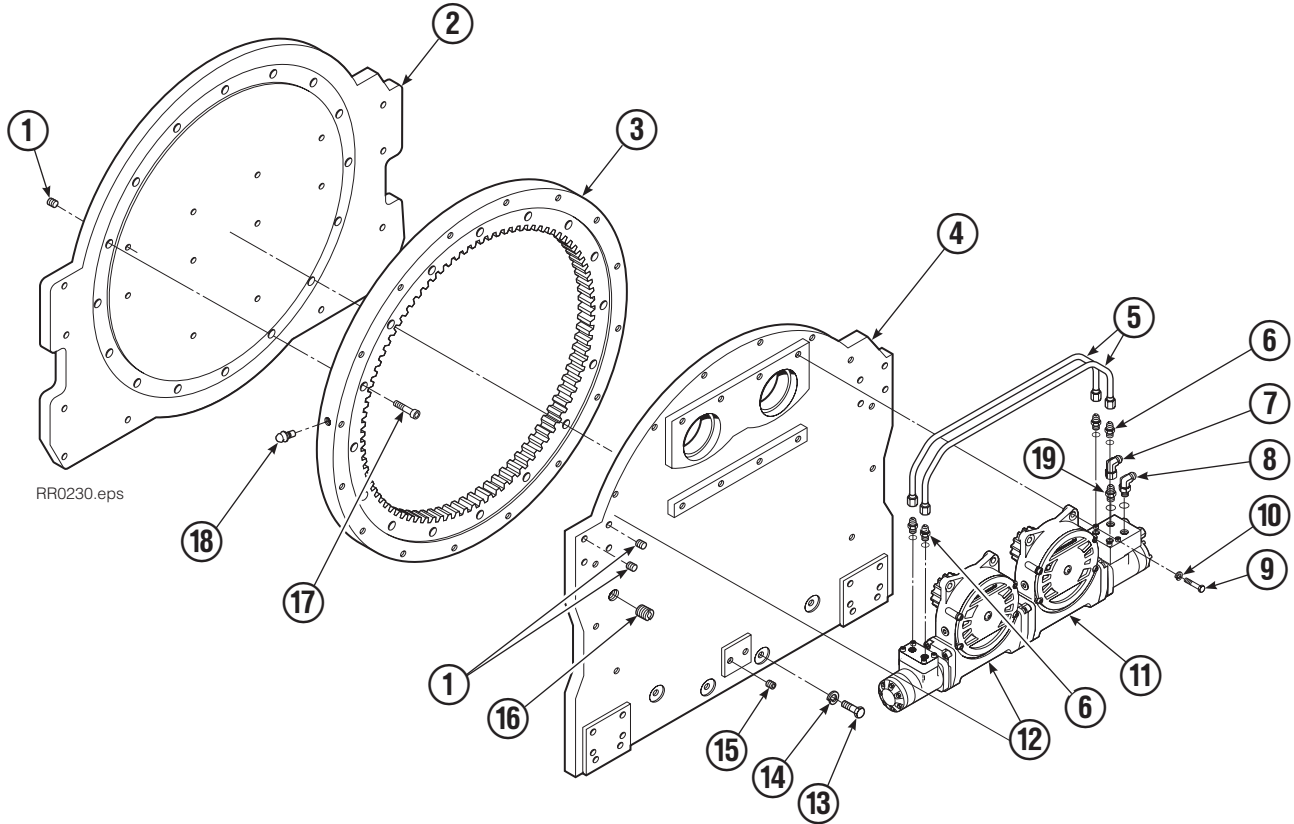
REF	QTY	PART NO.	DESCRIPTION
1	2	679150	No Step Decal

Publications



PART NO.	DESCRIPTION
	Parts Manual
672946	Service Manual
672714	Operators Guide
672327	Installation Instructions
679929	Tool Catalog
673964	Literature Index Order Form

Base Unit Group



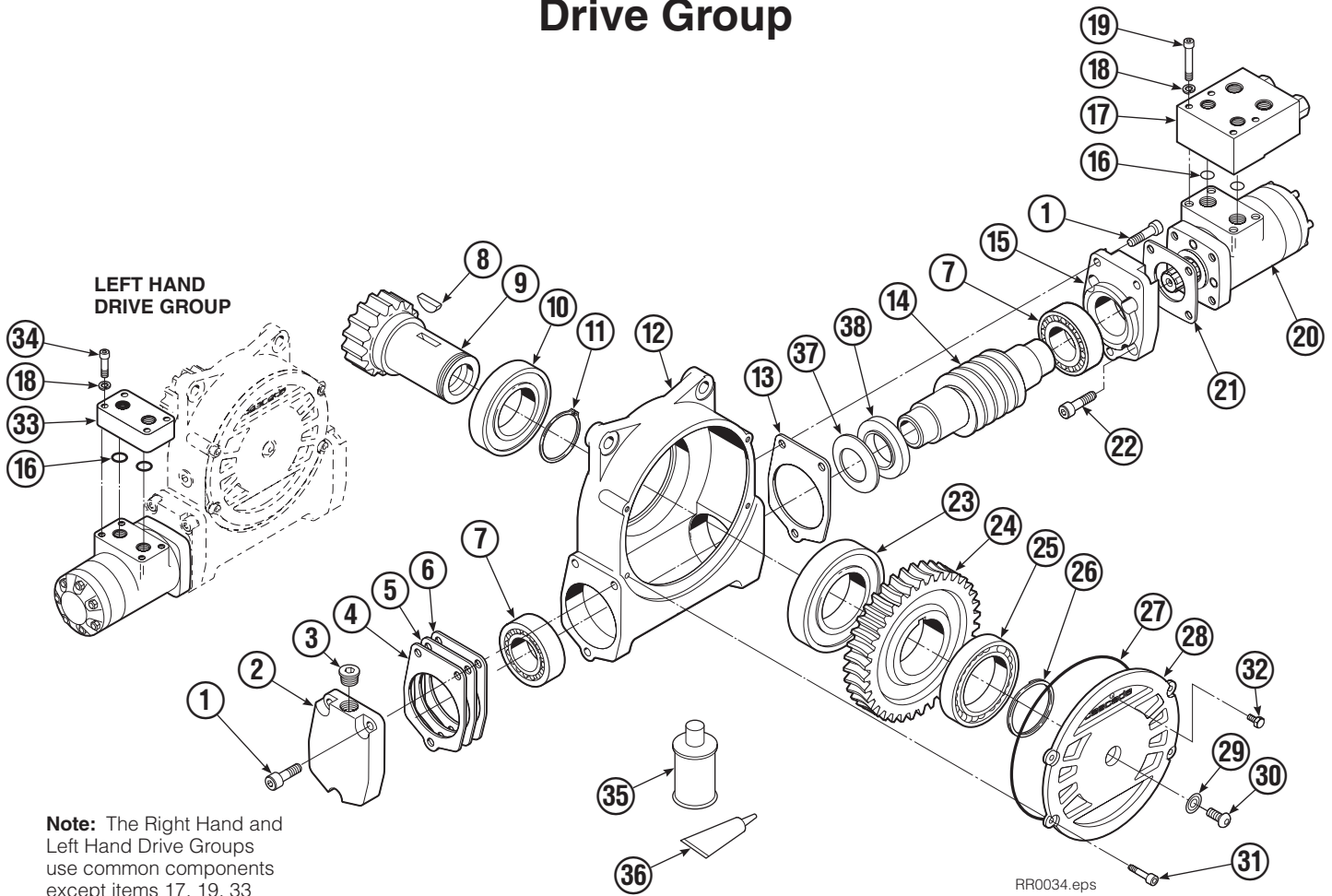
RR0230.eps

150D			
REF	QTY	PART NO.	DESCRIPTION
		684607	Base Unit Group
1	18	631428	Plug
2	1	670773	Faceplate
3	1	670782	Bearing Assembly
4	1	684611	Baseplate
5	2	670786	Tube Assembly
6	4	662187	Fitting, 8-6
7	1	605761	Fitting, 8-8
8	1	601250	Fitting, 8-8
9	8	661742	Capscrew, 1/2 x 1.25
10	8	6290	Lockwasher
11	1	222378	Drive Group – RH ♦
12	1	222379	Drive Group – LH ♦
13	16	643574	Capscrew, 3/4 x 2.25
14	16	6294	Lockwasher
15	2	631427	Plug
16	1	6612	Plug
17	16	607105	Capscrew, 3/4 x 2.00
18	1	7401	Grease Fitting
19	1	601377	Fitting, 8-8
		672483	Bearing Service Kit

♦ See Drive Group page for parts breakdown.

Reference: Common Parts Group 670781, SK-5382.

Drive Group



Note: The Right Hand and Left Hand Drive Groups use common components except items 17, 19, 33 & 34.

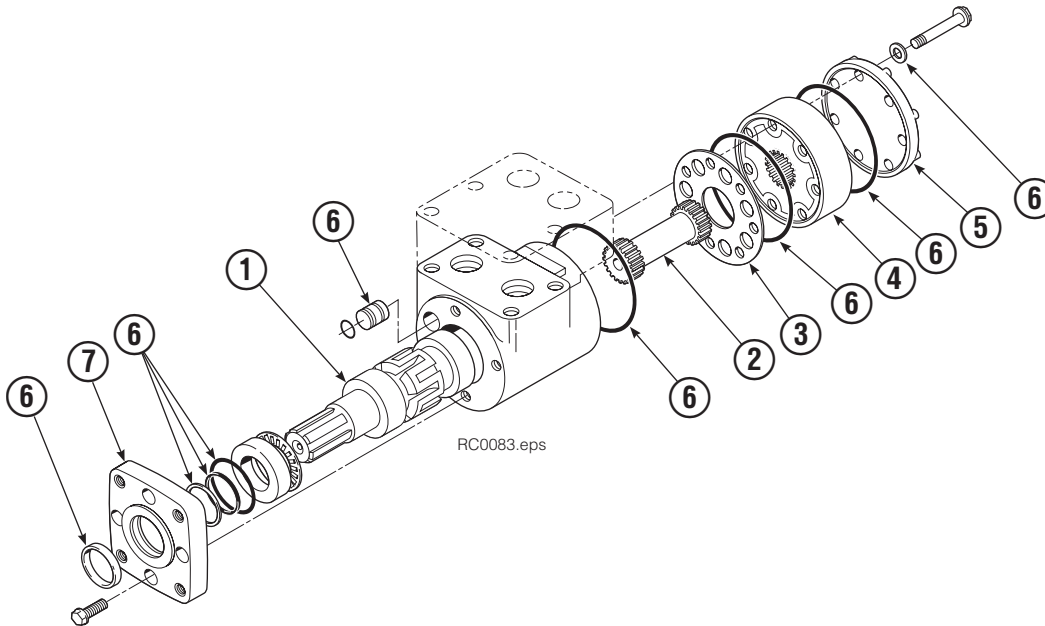
RR0034.eps

REF	QTY	PART NO.	DESCRIPTION	REF	QTY	PART NO.	DESCRIPTION
		222378	Drive Group – RH	21	1	670575	Gasket
		222379	Drive Group – LH	22	4	4468	Capscrew, 3/8 x .75
1	6	769570	Capscrew, M12 x 25	23	1	670580	Bearing
2	1	211774	Cover	24	1	676448	Worm Gear
3	1	604510	Plug	25	1	670581	Bearing
4	●	670574	Shim – .010" (brown)	26	1	7214	Snap Ring
5	●	671757	Shim – .015" (pink)	27	1	643423	O-Ring
6	●	671758	Shim – .020" (yellow)	28	1	775552	Cover
7	2	670579	Bearing	29	1	783609	Seal
8	1	670582	Key	30	1	783608	Capscrew, M10 x 16
9	1	670559	Pinion	31	4	200882	Capscrew, M8 x 20
10	1	670560	Bearing	32	1	644010	Relief Fitting
11	1	3160	Snap Ring	33	1	670563	Manifold – LH
12	1	211773	Housing	34	4	607054	Capscrew, 5/16 x .75 – LH
13	1	686465	Gasket	35	1	656300	Gear Box Lube, 48 oz.
14	1	676447	Worm	36	1	668184	Sealant
15	1	775553	Adapter	37	1	672449	Washer Spring
16	2	2705	O-Ring	38	1	672448	Washer
17	1	670561	Check Valve – RH ■			670578	Shim Service Kit
18	4	6444	Lockwasher			206394	Drive Motor Kit
19	4	607060	Capscrew, 5/16 x 2.00 – RH			675637	Bearing Service Kit (for item 23)
20	1	206392	Drive Motor ◆			675638	Bearing Service Kit (for item 7)

■ See Check Valve page for parts breakdown.
◆ See Drive Motor page for parts breakdown.

● Quantity as required.

Drive Motor

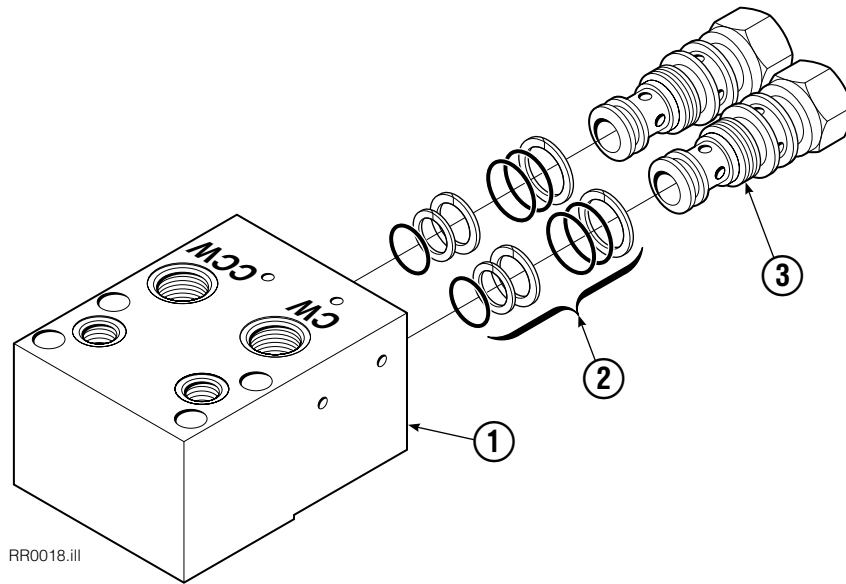


REF	QTY	PART NO.	DESCRIPTION
		206392	Drive Motor – 2.8 c.i.
1	1	675478	Shaft
2	1	675477	Drive
3	1	675479	Spacer Plate
4	1	675480	Gerotor Set (101-1768-007) ■
	1	685075	Gerotor Set (101-1768-009) ■
5	1	675482	End Cap
6	1	206405	Service Kit ●
7	1	685089	Flange (101-1768-007) ■
	1	685090	Flange (101-1768-009) ■

Cascade provides service replacement parts for the listed parts only. Due to cost, if other parts need replacement, the complete drive motor should be replaced.

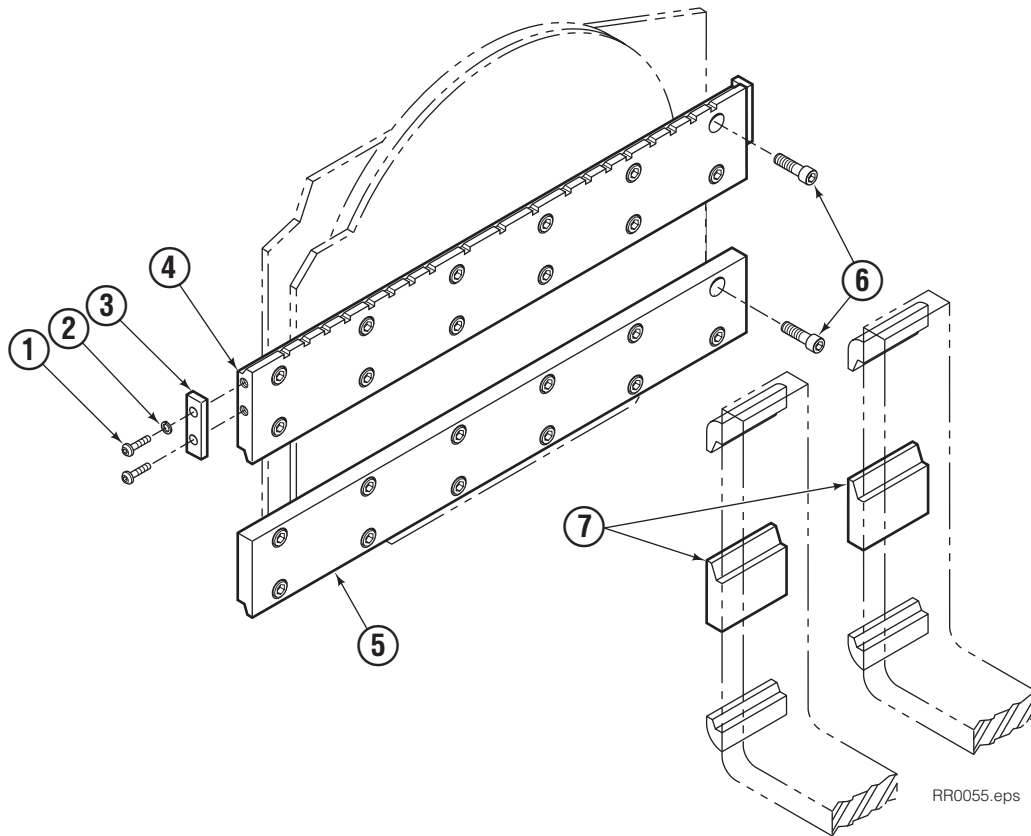
- See Nameplate under valve for correct part number of Gerotor Set and Flange.
- Compatible with water glycol based hydraulic fluids.

Check Valve



REF	QTY	PART NO.	DESCRIPTION
		670561	Check Valve Assembly
1	1	670583	Body
2	2	656223	Seal Kit
3	2	665097	Check Valve

Fork Bar Group

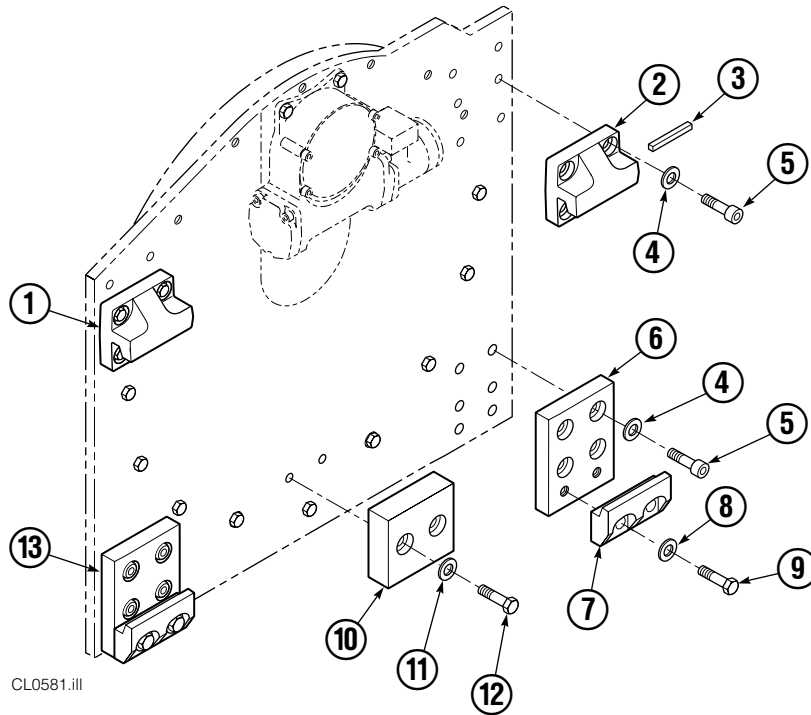


RR0055.eps

150D			
REF	QTY	PART NO.	DESCRIPTION
		681240	Fork Bar Group
1	4	4880	Capscrew, 1/2 x 1.00
2	4	6290	Lockwasher, 1/2
3	2	622148	Keeper
4	1	681243	Upper Bar
5	1	681246	Lower Bar
6	24	681249	Capscrew, 3/4 x 2.00
7	2	633671	Hook

Reference: S-3304, S-3305, SK-4684.

Bolt-On Mounting Group



CL0581.iii

Class IV, 0°			
REF	QTY	PART NO.	DESCRIPTION
		682384	Mounting Group
1	1	670690	Upper Hook – LH
2	1	670691	Upper Hook – RH
3	1	670704	Stop Kit
4	14	6448	Lockwasher, 3/4 in. ID
5	14	607104	Capscrew, 3/4 NC x 1.75
6	1	682665	Adapter Plate – RH
7	2	679832	Lower Hook
8	4	670692	Washer, 3/4 in. ID
9	4	670693	Capscrew, 3/4 NC x 1.75
10	1	670695	Bumper
11	2	6290	Lockwasher, 1/2 in
12	2	3657	Capscrew, 1/2 x 2.00 in.
13	1	682664	Adapter Plate – LH

Do you have questions you need answered right now? Call your nearest Cascade Parts Department. Visit us online at www.cascorp.com

**Cascade Corporation
U.S. Headquarters**
2201 NE 201st
Fairview, OR 97024-9718
Tel: 800-CASCADE (227-2233)
FAX: 888-329-8207

Cascade Canada Inc.
5570 Timberlea Blvd.
Mississauga, Ontario
Canada L4W-4M6
Tel: 905-629-7777
FAX: 905-629-7785

Cascade GmbH
Niederwippekühl 1
58579 Schalksmühle
Germany
Tel: 02355-50900
FAX: 02355-509020

Cascade Finland
A. Petreliuksenkatu 3
01370 Vantaa
Finland
Tel: 09-8361925
FAX: 09-8361935

**Cascade N.V.
Benelux Sales and Service**
Damsluisweg 56
PO Box 3009
1300 El Almere
The Netherlands
Tel: 036-5492950
FAX: 036-5492974

Cascade (UK) Ltd.
Unit 4, 12 O'Clock Court
Attercliffe Road
Sheffield, S4 7WW
England
Tel: 0870-850-8756
FAX: 0870-850-8757

**Sales Scotland
Macade Systems Ltd.**
18 Melford Road
Righead Ind. Estate
Bellshill ML4 3LR
Scotland
Tel: 01698-845777
FAX: 01698-845888

Cascade (Africa) Pty. Ltd.
PO Box 625, Isando 1600
60A Steel Road
Sparton, Kempton Park
South Africa
Tel: 27-11-975-9240
FAX: 27-11-394-1147

Cascade Scandinavia AB
Hammarvägen 10
PO Box 124
S-56723 Vaggeryd
Sweden
Tel: 039-336950
FAX: 039-336959

**Cascade France
S.A.R.L. MHP**
1D Rue De Charaintru BP 18,
91360 Epinay-Sur-Orge
France
Tel: 01-6454-7500
FAX: 01-6454-7501

Cascade Hispania S.A.
Carrer 5, Sector C
Zona Franca Duanera
Poligono de la Zona Franca
08040 Barcelona, Spain
Tel: 93-264-07-30
FAX: 93-264-07-31

Cascade Italia S.R.L.
Via Dell'Artigianato 1
37050 Vago di Lavagno (VR)
Italy
Tel: 39-045-8989111
FAX: 39-045-8989160

Movimenta Lda.
Parque Industrial
Vale do Alecrim, Lote 108
2950-403 Palmela
Portugal
Tel: 351-212387340
FAX: 351-212387349

**Sales Switzerland
Fahrzeugbedarf**
8810, Horgen
Switzerland
Tel: 01-7279797
FAX: 01-7279798

Sales Poland
Targowa 35/61
03-728 Warszawa
Tel: 022-619 00 49
FAX: 022-619 00 49
Mobile Tel: 0501-27 29 55

Sales Russia
EMCG Material Handling
Equipment
Moscow
Tel: 095-795-2400
FAX: 095-795-2475
Email: emcg@emcg.ru

Cascade Japan Ltd.
5-5-41,
Torikai Kami
Settsu, Osaka
Japan, 566
Tel: 81-726-53-3490
FAX: 81-726-53-3497

Cascade Korea
121B 9L Namdong Ind.
Complex, 691-8 Gojan-Dong
Namdong-Ku
Inchon, 405-310 Korea
Tel: 82-32-821-2051
FAX: 82-32-821-2055

Cascade Australia
1445 Ipswich Road
Rocklea, QLD 4107
Australia
Tel: 1-800-227-223
FAX: 617-3373-7333

Cascade New Zealand
15 Ra Ora Drive
East Tamaki, Auckland
New Zealand
Tel: 64-9-273-9136
FAX: 64-9-273-9137

Cascade-Xiamen
No. 668 Yangguang Rd.
Xinyang Industrial Zone
Haicang, Xiamen City
Fujian Province
P.R. China 361026
Tel: 86-592-651-2500
FAX: 86-592-651-2571

**Sunstream Industries
Pte Ltd.**
No. 3 Tuas Link 1
2263
Singapore
Tel: 65-6863-3488
FAX: 65-6863-1368

**Cascade do Brasil
Distribuidora de Garras
e Garfos LTDA**
Av. General Valdomiro
de Lima 43
Jabaquara - Sao Paulo - S.P.
Brasil CEP 04344-070
Tel: 55-11-5016-2484
Fax: 55-11-5013-2809

