

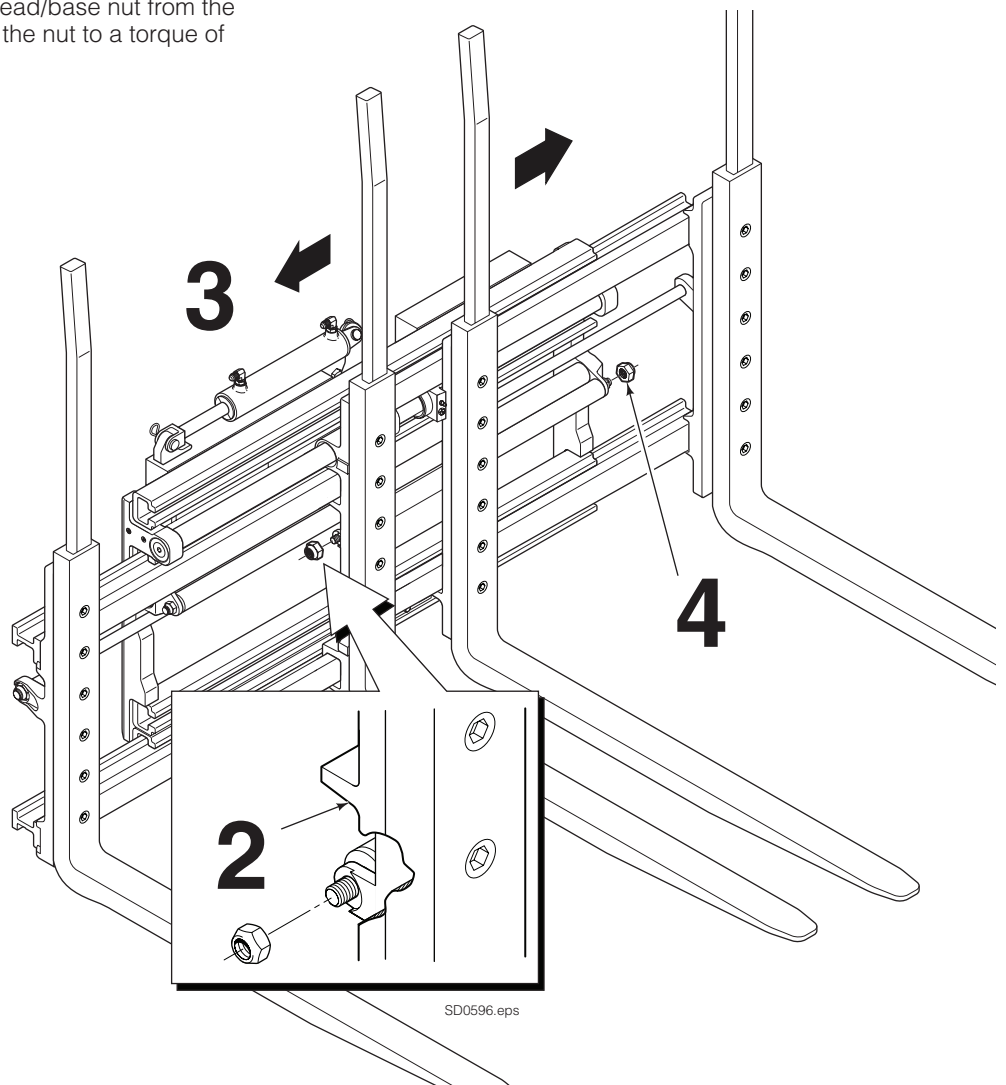


Installation Instructions

G-Series Multi-Load Handler Arm Bearing Replacement

This sheet describes the installation of Arm Bearing Service Kits for G-Series Multi-Load Handlers. Bearings can be installed with the attachment mounted on the truck.

- 1 Position forks about 12 mm above the floor.
- 2 Open forks about 300 mm to access the inner fork carrier. Remove the spring cylinder rod end nut from the carrier. For reassembly tighten the nut to a torque of 145 N-m.
- 3 Fully spread forks.
- 4 Remove nut from the cylinder head/base nut from the frame. For reassembly, tighten the nut to a torque of 145 N-m.
- 5 Slide spring cylinders out.



NOTE: This information should not be interpreted as the basis for warranty claims unless so designated.

cascade[®]
corporation

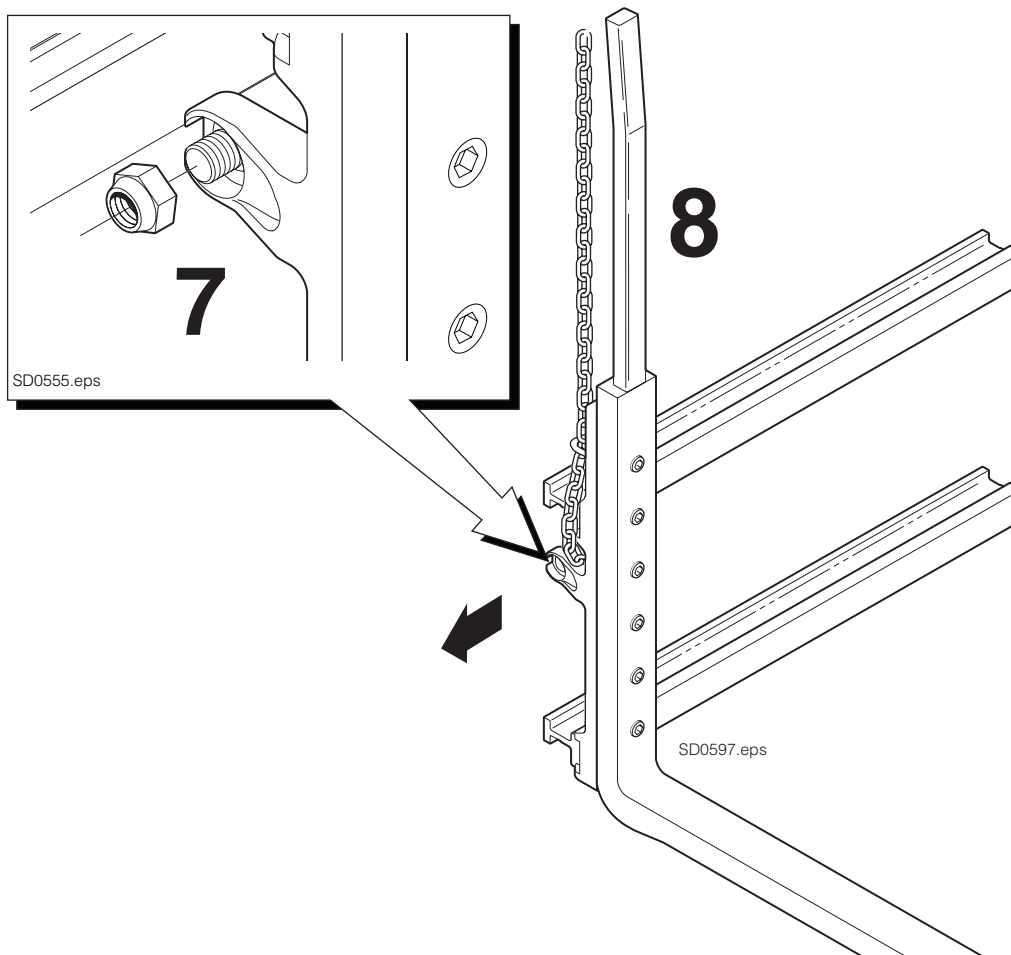
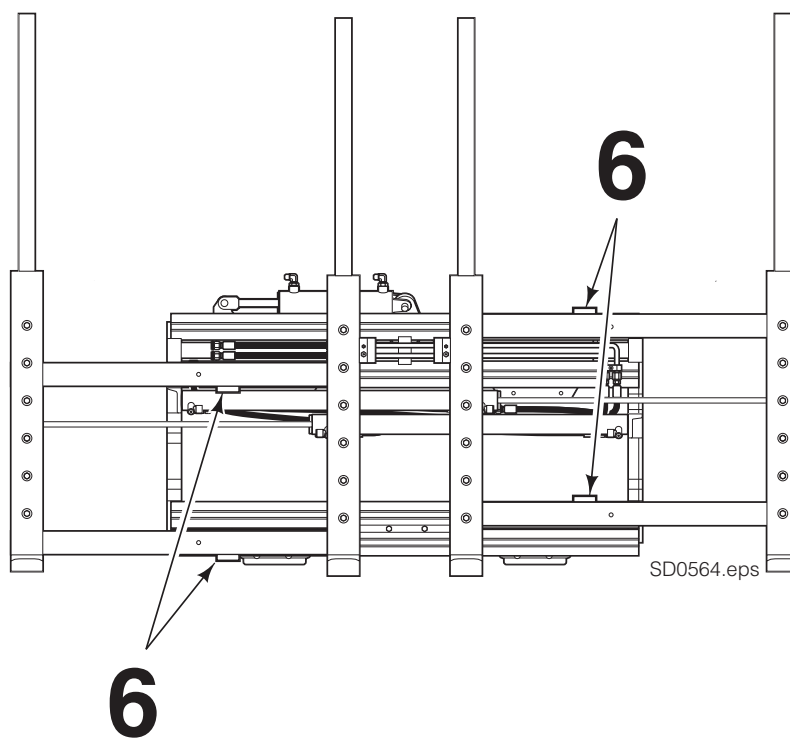
For Technical Support . . .

Call: 1-800-227-2233 Fax: 1-888-329-8207
Internet: www.cascorp.com
Write: Cascade Corporation, PO Box 20187, Portland, OR 97294

To Order Parts . . .

Call: 1-888-227-2233 Fax: 1-888-329-0234
Internet: www.cascorp.com
Write: Cascade Corporation, 2501 Sheridan Ave., Springfield, OH 45505

- 6 Remove the bolt-on stops from the outer fork arms. For reassembly, tighten the capscrews to a torque of 32 N·m.
- 7 Remove nut from the cylinder rod end. Support the cylinder with a cable tie. For reassembly, tighten the nut to a torque of 145 N·m.
- 8 Attach a suitable overhead hoist around the fork. Pull the fork assembly out of the frame.

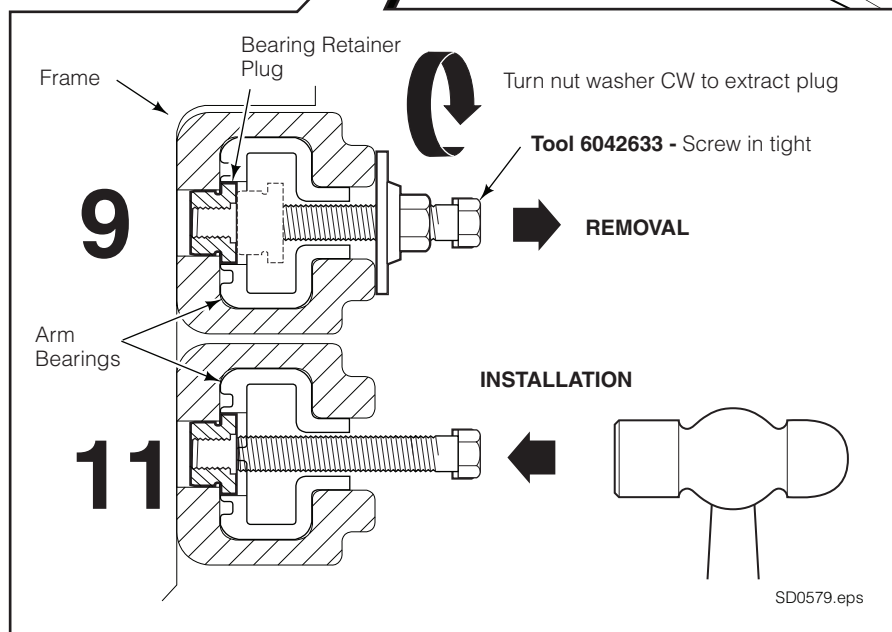
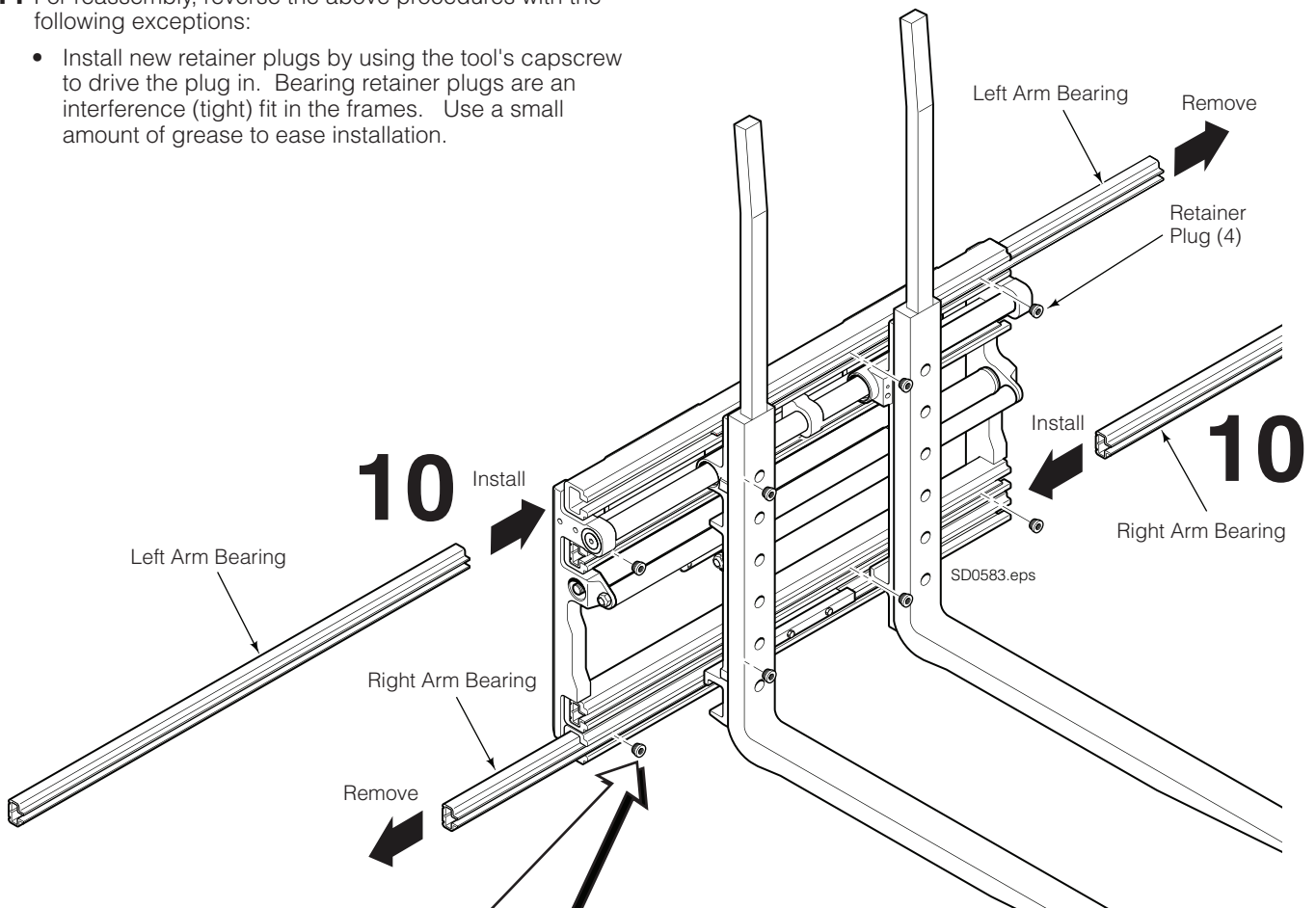


- 9** Remove the bearing retainer plugs using Cascade Tool 6042633 (see illustration). **NOTE:** An M8 x 80L capscrew and 40 mm OD fender washer can also be used to remove the retainer plug.
- 10** Replace the old bearing by tapping a new one into the frame, displacing the old bearing. The following bearing service kits are available:

Model	Frame Width	Bearing Service Kit
22G, 25G	1200 mm	6073031
28G, 32G	1150 mm	6073032

IMPORTANT: Remove the left arm bearings out the left side. Remove the right arm bearings out the right side.

- 11** For reassembly, reverse the above procedures with the following exceptions:
- Install new retainer plugs by using the tool's capscrew to drive the plug in. Bearing retainer plugs are an interference (tight) fit in the frames. Use a small amount of grease to ease installation.



Do you have questions you need answered right now? Call your nearest Cascade Service Department. Visit us online at www.cascorp.com

AMERICAS

**Cascade Corporation
Parts Sales**
2501 Sheridan Ave.
Springfield, OH 45505
Tel: 888-CASCADE (227-2233)
Fax: 888-329-0234

Cascade Canada Inc.
5570 Timberlea Blvd.
Mississauga, Ontario
Canada L4W-4M6
Tel: 905-629-7777
Fax: 905-629-7785

Cascade do Brasil
Rua João Guerra, 134
Macuco, Santos - SP
Brasil 11015-130
Tel: 55-13-2105-8800
Fax: 55-13-2105-8899

EUROPE-AFRICA

**Cascade Italia S.R.L.
European Headquarters**
Via Dell'Artigianato 1
37050 Vago di Lavagno (VR)
Italy
Tel: 39-045-8989111
Fax: 39-045-8989160

Cascade (Africa) Pty. Ltd.
PO Box 625, Isando 1600
60A Steel Road
Sparton, Kempton Park
South Africa
Tel: 27-11-975-9240
Fax: 27-11-394-1147

ASIA-PACIFIC

Cascade Japan Ltd.
2-23, 2-Chome,
Kukuchi Nishimachi
Amagasaki, Hyogo
Japan, 661-0978
Tel: 81-6-6420-9771
Fax: 81-6-6420-9777

Cascade Korea
121B 9L Namdong Ind.
Complex, 691-8 Gojan-Dong
Namdong-Ku
Inchon, Korea
Tel: +82-32-821-2051
Fax: +82-32-821-2055

Cascade-Xiamen
No. 668 Yangguang Rd.
Xinyang Industrial Zone
Haicang, Xiamen City
Fujian Province
P.R. China 361026
Tel: 86-592-651-2500
Fax: 86-592-651-2571

**Cascade India Material
Handling Private Limited**
No 34, Global Trade Centre
1/1 Rambaugh Colony
Lal Bahadur Shastri Road,
Navi Peth, Pune 411 030
(Maharashtra) India
Phone: +91 020 2432 5490
Fax: +91 020 2433 0881

Cascade Australia Pty. Ltd.
1445 Ipswich Road
Rocklea, QLD 4107
Australia
Tel: 1-800-227-223
Fax: +61 7 3373-7333

Cascade New Zealand
15 Ra Ora Drive
East Tamaki, Auckland
New Zealand
Tel: +64-9-273-9136
Fax: +64-9-273-9137

**Sunstream Industries
Pte. Ltd.**
18 Tuas South Street 5
Singapore 637796
Tel: +65-6795-7555
Fax: +65-6863-1368

