



Parts Manual

Model 40D Turn-A-Fork

Serial Number 40D-CTS-13AR0

cascade[®]
corporation

For Technical Assistance call: 800-227-2233, Fax: 888-329-8207

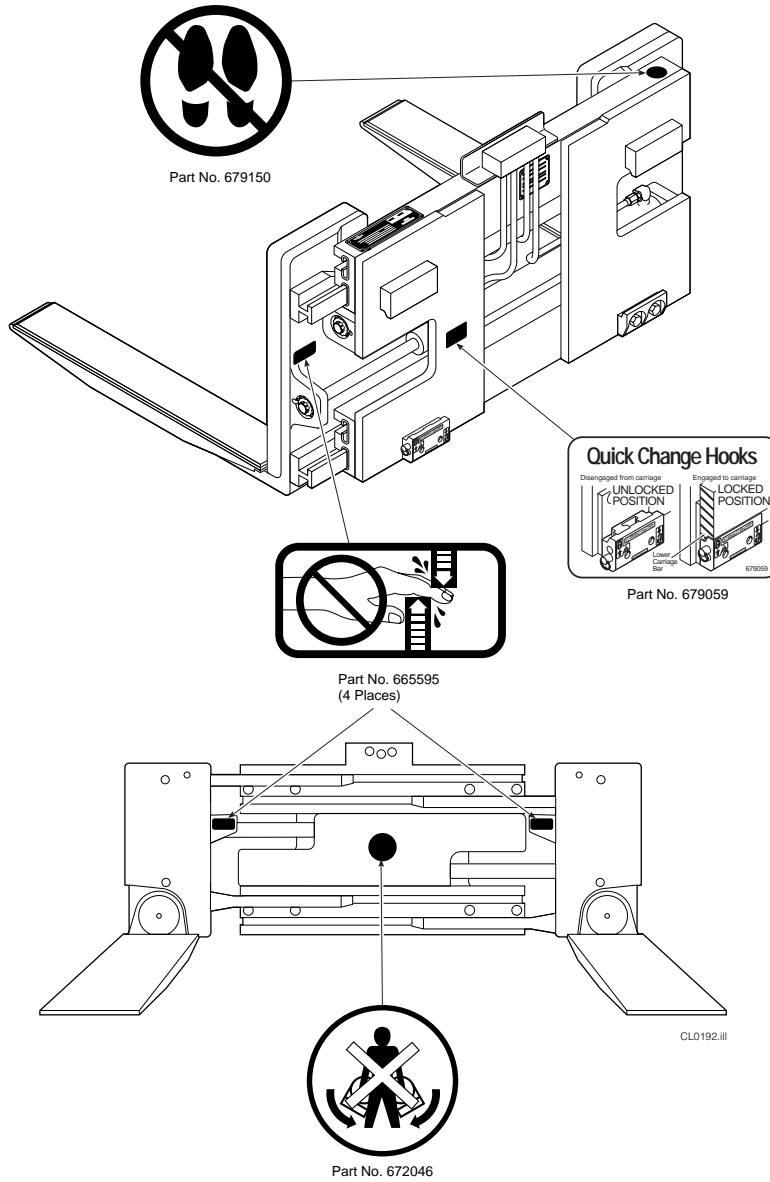
To Order Parts call: 888-227-2233, Fax: 888-329-0234

OR

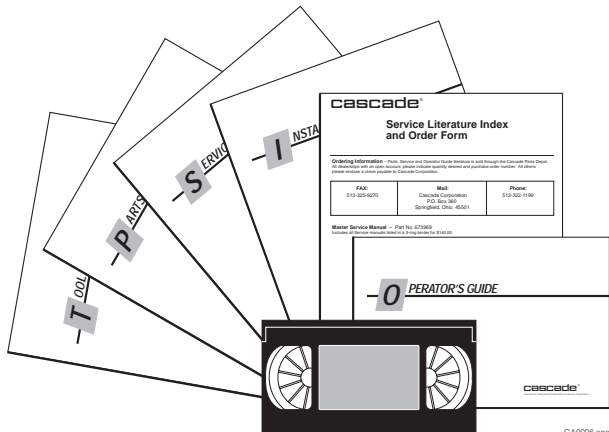
Write: Cascade Corporation, P.O. Box 20187, Portland, OR 97220

Internet: www.cascorp.com

Safety Decals

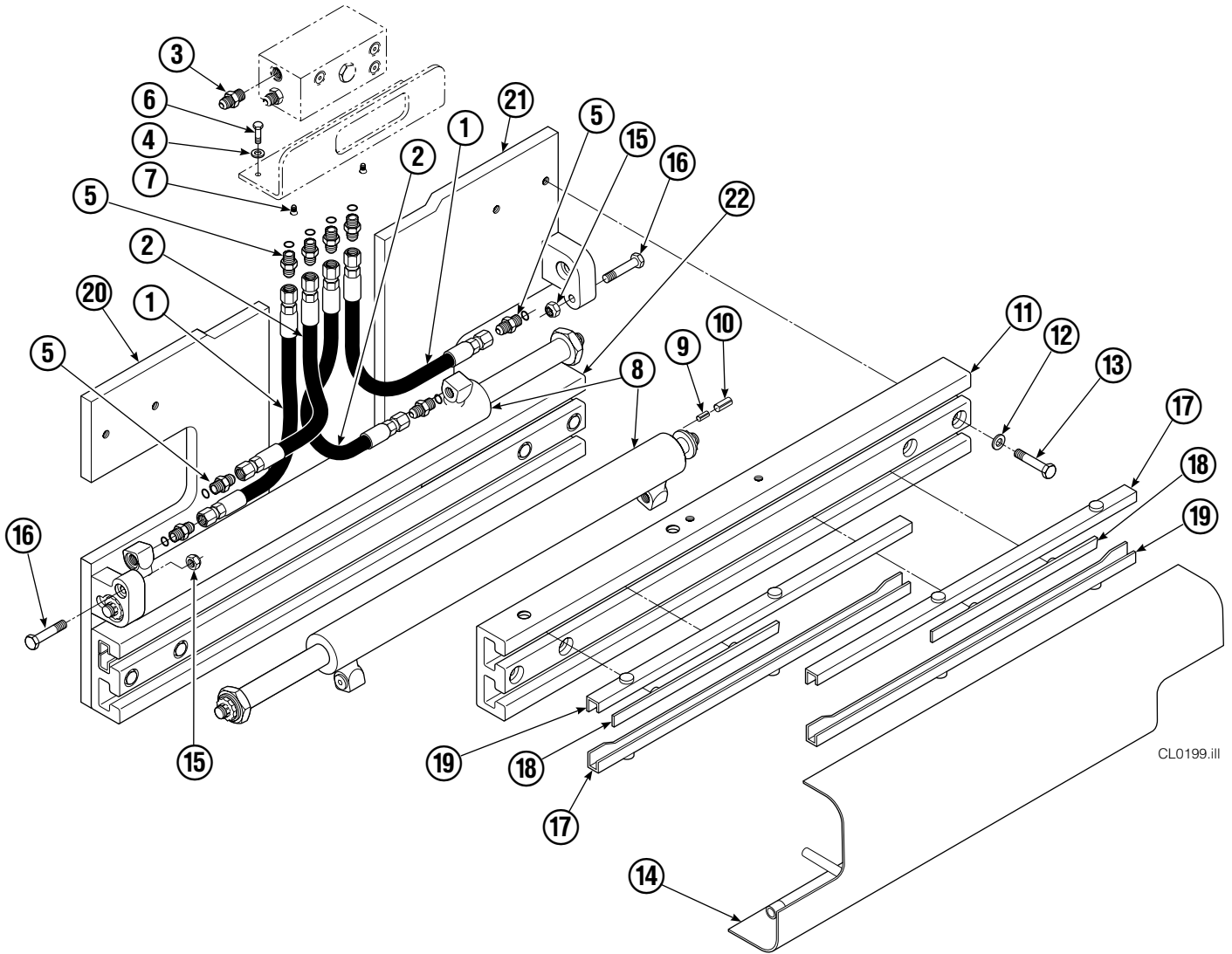


Publications



40D	
PART NO.	DESCRIPTION
669224	Service Manual
672944	Operator's Guide
680664	Servicing Cascade Cylinders-VHS
679929	Tool Catalog
673964	Literature Index Order Form

Base Unit Group

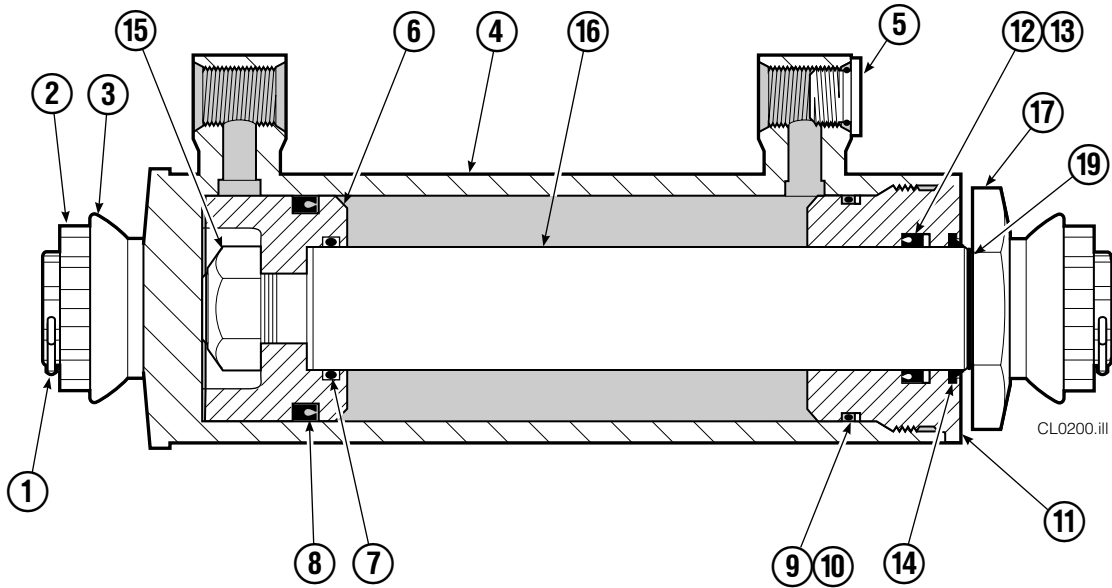


40D							
REF	QTY	PART NO.	DESCRIPTION	REF	QTY	PART NO.	DESCRIPTION
		681596	Base Unit Group – ITA II	12	8	667225	Washer
1	2	210436	Hose - 24.75 in.	13	8	667644	Capscrew
2	2	210449	Hose - 18.25 in.	14	1	678679	Bumper
3	1	601377	Fitting, 8-8	15	2	665707	Nut, 1/2 NC
4	2	6230	Washer	16	2	640699	Capscrew
5	8	611288	Fitting, 6-8	17	4	667661	Bearing
6	2	671222	Capscrew	18	4	667663	Bearing
7	2	4749	Capscrew	19	4	667662	Bearing
8	2	555435	Cylinder ▼	20	1	680626	Mounting Plate - RH ITA II
9	2	7882	Roll Pin - Inner	21	1	680625	Mounting Plate - LH ITA II
10	2	7961	Roll Pin - Outer	22	1	674167	Frame – Lower
11	1	667659	Frame				

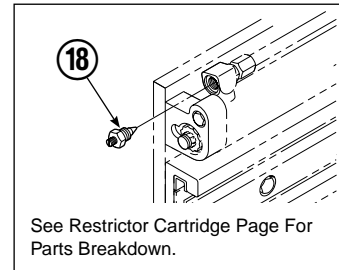
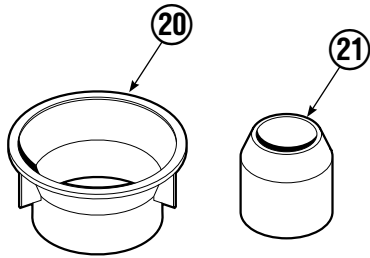
▼ See Cylinder page for parts breakdown.

Reference: Common Parts Group 675282.

Cylinder



CL0200.iii

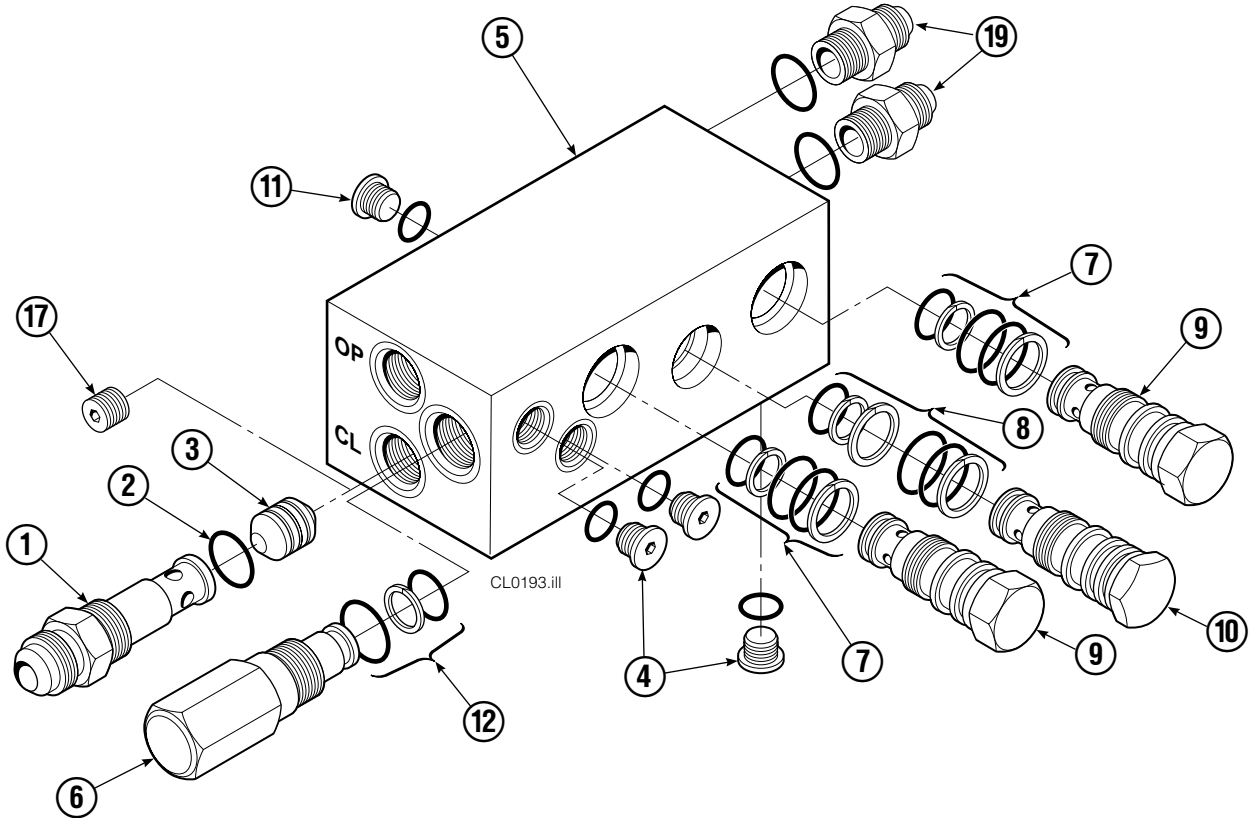
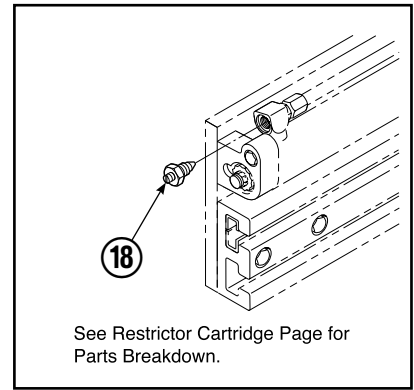
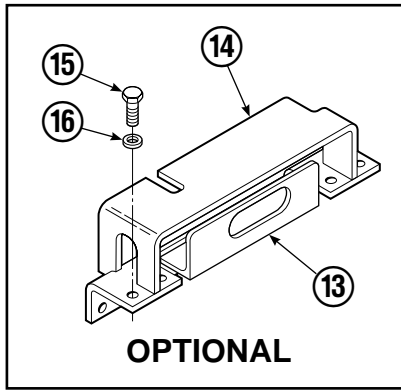


40D

REF	QTY	PART NO.	DESCRIPTION
		555435	Cylinder Assembly
1	2	6511	■ Cotter Pin
2	2	667667	■ Nut Retainer
3	2	667668	■ Nut
4	1	555436	Shell
5	1	602580	Fitting
6	1	558400	Piston
7	1	2716	▲ O-Ring
8	1	662454	▲ Seal
9	1	2787	▲ O-Ring
10	1	615130	▲ Back-Up Ring
11	1	667917	Retainer
12	1	662448	▲ Seal
13	1	638243	▲ Nylon Ring
14	1	636853	▲ Wiper
15	1	667623	Nut
16	1	555437	Rod
17	1	555439	Washer
18	1	667609	Restrictor Cartridge ●
19	1	555440	Retaining Ring
20	1	671048	▲ Seal Loader, Piston
21	1	671051	▲ Seal Loader, Retainer
		667995	Service Kit

- ▲ Included in Service Kit 667995.
 - Included in Nut Service Kit 668925.
 - Not included in Cylinder Assembly.
- Ref: S-6055, S-6056.

Check Valve Sideshift



40D							
REF	QTY	PART NO.	DESCRIPTION	REF	QTY	PART NO.	DESCRIPTION
		676428	Valve Group - Sideshift	10	1	678270	Check Valve - V.P.O.
		667475	Check Valve - Sideshift ★	11	1	604510	Fitting, 6
1	1	667470	Special Fitting	12	1	667510	Seal Kit
2	1	2841	● O-Ring	13	1	669999	Bracket
3	1	667471	Spool	14	1	670000	Guard
4	3	609455	Fitting	15	4	670004	Capscrew, .5 NC x 1.25
5	1	667476	Valve Body	16	4	6232	Washer
6	1	667078	Relief Valve – 2000 PSI	17	1	676343	Regeneration Plug ■
7	2	667516	● Service Kit	18	2	667609	Restrictor Cartridge
8	1	661347	● Service Kit	19	2	604511	Fitting
9	2	659058	Check Valve - P.O.				

● Included in Service Kit 668868.

★ Contains items 1-12 only.

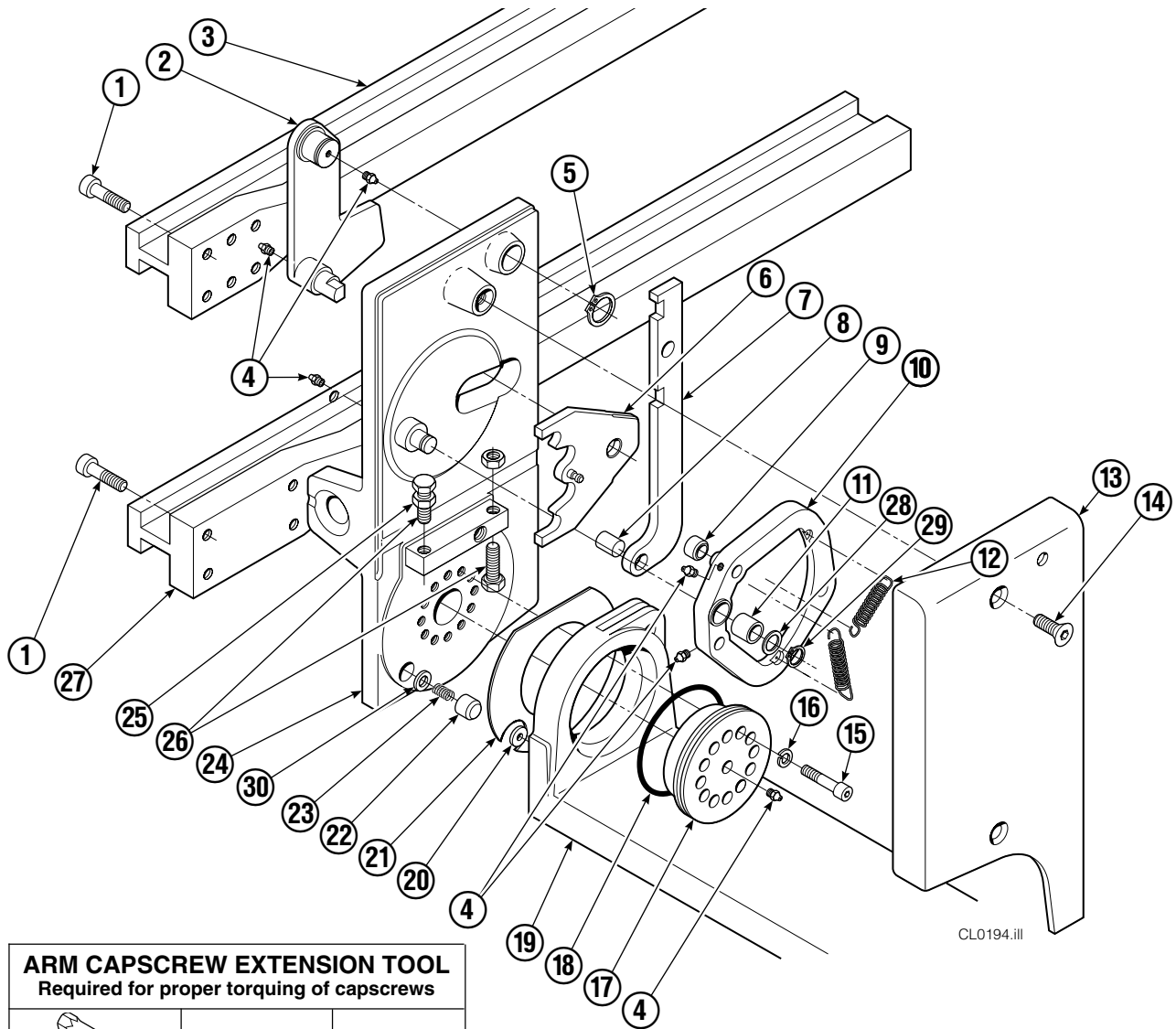
■ For eliminating regeneration circuit only.

Restrictor Cartridge



REF	QTY	PART NO.	DESCRIPTION
		667609	Restrictor Cartridge
1	1	2701	O-Ring
2	1	667611	Plunger
3	1	2841	O-Ring
4	1	667610	Plug - Special
5	1	5716	Jam Nut

Arm Group



CL0194.ill

ARM CAPSCREW EXTENSION TOOL Required for proper torquing of capscrews



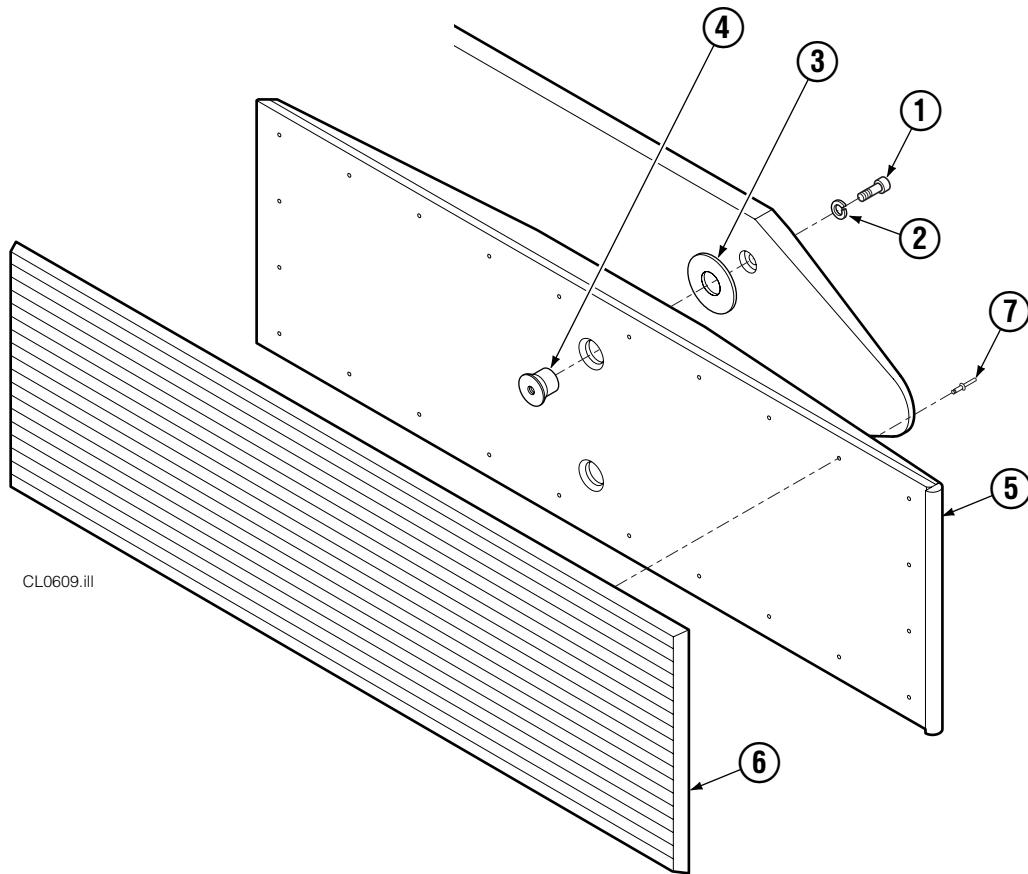
40D

667699

40D

REF	QTY	PART NO.	DESCRIPTION	REF	QTY	PART NO.	DESCRIPTION
		672033	Arm Group – RH	15	12	4309	Capscrew, 1/2 NF x 2.25
		672032	Arm Group – LH	16	12	6374	Lockwasher
1	10	607105	Capscrew, 3/4 NC x 2.00 GR8	17	1	669205	Bearing
2	1	672041	Actuator – RH	18	1	2815	O-Ring
	1	672040	Actuator – LH	19	1	622674	Arm – RH
3	1	669197	Arm Bar – Upper		1	622675	Arm – LH
4	6	7401	Grease Fitting	20	1	621248	Bushing
5	1	7192	Snap Ring	21	1	602025	Wear Plate
6	1	600305	Selector	22	1	600318	Detent Pin
7	1	600315	Crank	23	1	600319	Detent Spring
8	1	600316	Pin		1	672037	Arm Carrier – RH
9	1	600313	Bushing	24	1	672034	Arm Carrier – LH
10	1	672043	Bell Crank Assembly	25	2	5721	Nut
11	1	600312	Bushing	26	2	3385	Capscrew, 3/4 NF x 1.75
12	2	672047	Spring	27	1	669200	Arm Bar – Lower
	1	672051	Cover – RH	28	1	672045	Washer
13	1	672050	Cover – LH	29	1	3128	Snap Ring
14	2	4780	Capscrew, 5/8 NC x 1.25 GR8	30	2	201816	Washer

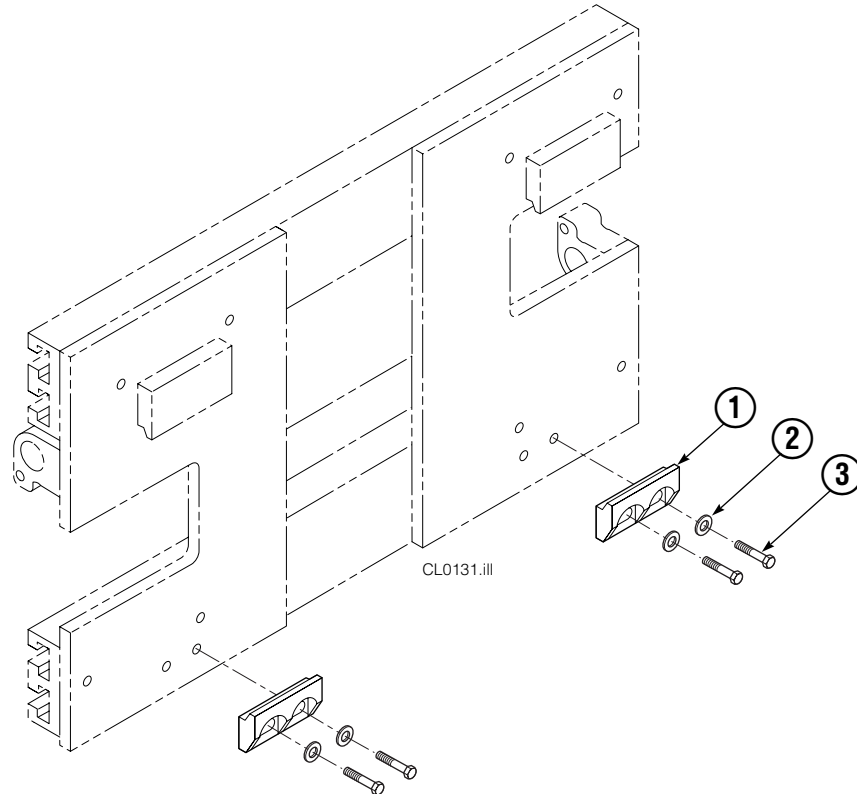
Contact Pad Group



CL0609.iii

40D			
REF	QTY	PART NO.	DESCRIPTION
		669709	Contact Pad Group – 10 x 48 in.
1	4	4305	Capscrew, 1/2 NC x 1.25 GR8
2	4	6374	Lockwasher
3	4	15797	Pad
4	4	15809	Pin
5	1	669711	Contact Plate – R.H.
5	1	669710	Contact Plate – L.H.
6	2	669712	Contact Pad
7	44	667843	Rivet

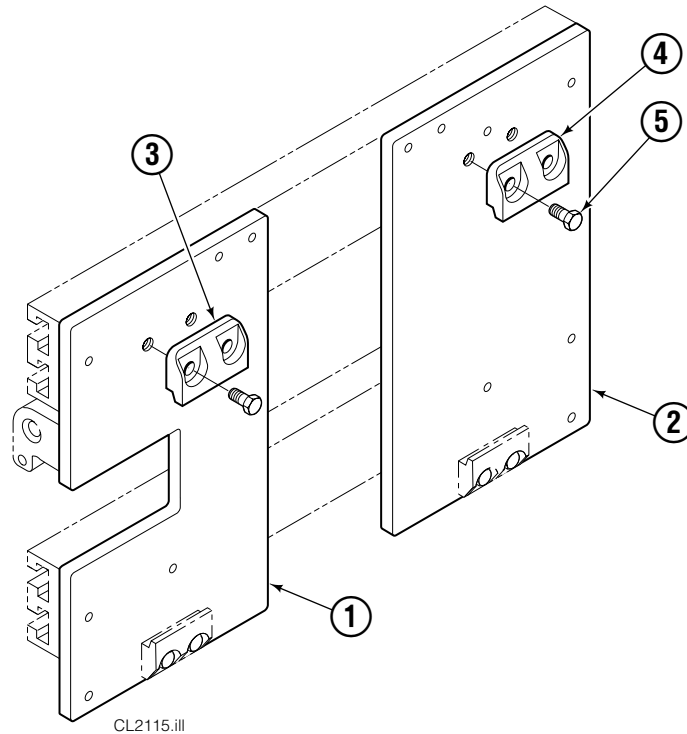
Bolt-On Mounting Group



Class II			
REF	QTY	PART NO.	DESCRIPTION
		678934	Lower Hook Group
1	2	675968	Lower Hook
2	4	667225	Washer, 5/8 in. ID
3	4	667369	Capscrew, 5/8 NC x 1.25 GR 5

Reference: S-3197.

Mounting Plates with Bolt-On Upper Hooks



REF	QTY	PART NO.	DESCRIPTION
1	1	680625	Mounting Plate Assembly-LH ●
2	1	680626	Mounting Plate Assembly-RH ■
3	1	6002330	Upper Hook-LH
4	1	210491	Upper Hook-RH
5	4	768577	Capscrew, M20 x 35

● Includes items 3 and 5.

■ Includes items 4 and 5.

Do you have questions you need answered right now? Call your nearest Cascade Parts Department. Visit us online at www.cascorp.com

Cascade Corporation
2501 Sheridan Avenue
Springfield, OH 45505
Tel: 888-CASCADE (227-2233)
FAX: 888-329-0234

Cascade Canada Inc.
5570 Timberlea Blvd.
Mississauga, Ontario
Canada L4W-4M6
Tel: 905-629-7777
FAX: 905-629-7785

Cascade GmbH
D-41199 Monchengladbach
Klosterhofweg 52
Germany
Tel: 49-216-668230
FAX: 49-216-6682323

Cascade Finland
Albert Petreliuksenkatu 3
01370 Vantaa
Finland
Tel: 358-9-836-1925
FAX: 358-9-836-1935

**Cascade N.V.
European Headquarters**
P.O. Box 3009
1300 El Almere
Damluisweg 56
1332 ED Almere
The Netherlands
Tel: 31-36-5492911
FAX: 31-36-5492964

**Cascade N.V.
Benelux Sales and Service**
P.O. Box 3009
1300 El Almere
Damluisweg 56
1332 ED Almere
The Netherlands
Tel: 31-36-5492950
FAX: 31-36-5492974

Cascade (UK) Ltd.
15, Orgreave Crescent
Dore House Industrial Estate
Handsworth
Sheffield S13 9NQ
England
Tel: 742-697524
FAX: 742-695121

Cascade Scandinavia AB
Box 124
Hammarvägen 10
567 23 Vaggeryd
Sweden
Tel: 42-0-393-36950
FAX: 46-0-393-36959

Cascade Norway
Østerliveien 37A
1153 Oslo
Norway
Tel: 47-22-743160
FAX: 47-22-743157

Cascade France S.A.R.L.
1D Rue De Charaintru
BP 18, 91360 Epinay-Sur-Orge
Morangis Cedex, France
Tel: 33-1- 64547500
FAX: 33-1-64547501

Cascade Hispania S.A.
Carrer 5 Sector C
Zona Franca Duanera
Poligono de la Zon Franca
08040 Barcelona, Spain
Office No. 256
Tel: 93-264-07-30
FAX: 93-264-07-31

Cascade Japan Ltd.
5-5-41,
Torikai Kami
Settsu, Osaka
Japan, 566
Tel: 81-726-53-3490
FAX: 81-726-53-3497

Cascade Korea
108B, Namdong Ind Complex
658-3 Gojan-Dong
Namdong-Gu
Inchon, 405-310 Korea
Tel: 82-32-821-2051
FAX: 82-32-821-2055

Cascade Australia
1445 Ipswich Road
Rocklea, QLD 4106
Australia
Tel: 1-800227-223
FAX: (07) 3373-7333

Cascade New Zealand
15 Ra Ora Drive
East Tamaki, Auckland
New Zealand
Tel: 9-273-9136
FAX: 9-273-9137

Cascade (Africa) Pty. Ltd.
P.O. Box 625, Isando 1600
60A Steel Road
Sparton, Kempton Park
South Africa
Tel: 27-11-975-9240
FAX: 27-11-394-1147

Cascade-Xiamen
No. 668 Yangguang Rd.
Xinyang Industrial Zone
Haicang, Xiamen City
Fujian Province
P.R. China 361026
Tel: 86-592-651-2500
FAX: 86-592-651-2571

**Cascade (Singapore)
Trading Co.**
Four Seasons Park
Autumn Block - Apt. 1802
12 Cuscaden Walk
Singapore
Tel: 65-834-1935
FAX: 65-834-1936

