



Parts Manual

Model Single-Double Pallet Handler

Serial Number 55E-FDS-978

cascade[®]
corporation

For Technical Assistance call: 800-227-2233, Fax: 888-329-8207

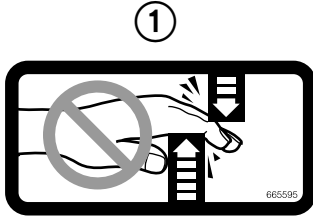
To Order Parts call: 888-227-2233, Fax: 888-329-0234

OR

Write: Cascade Corporation, P.O. Box 20187, Portland, OR 97220

Internet: www.cascorp.com

Decals



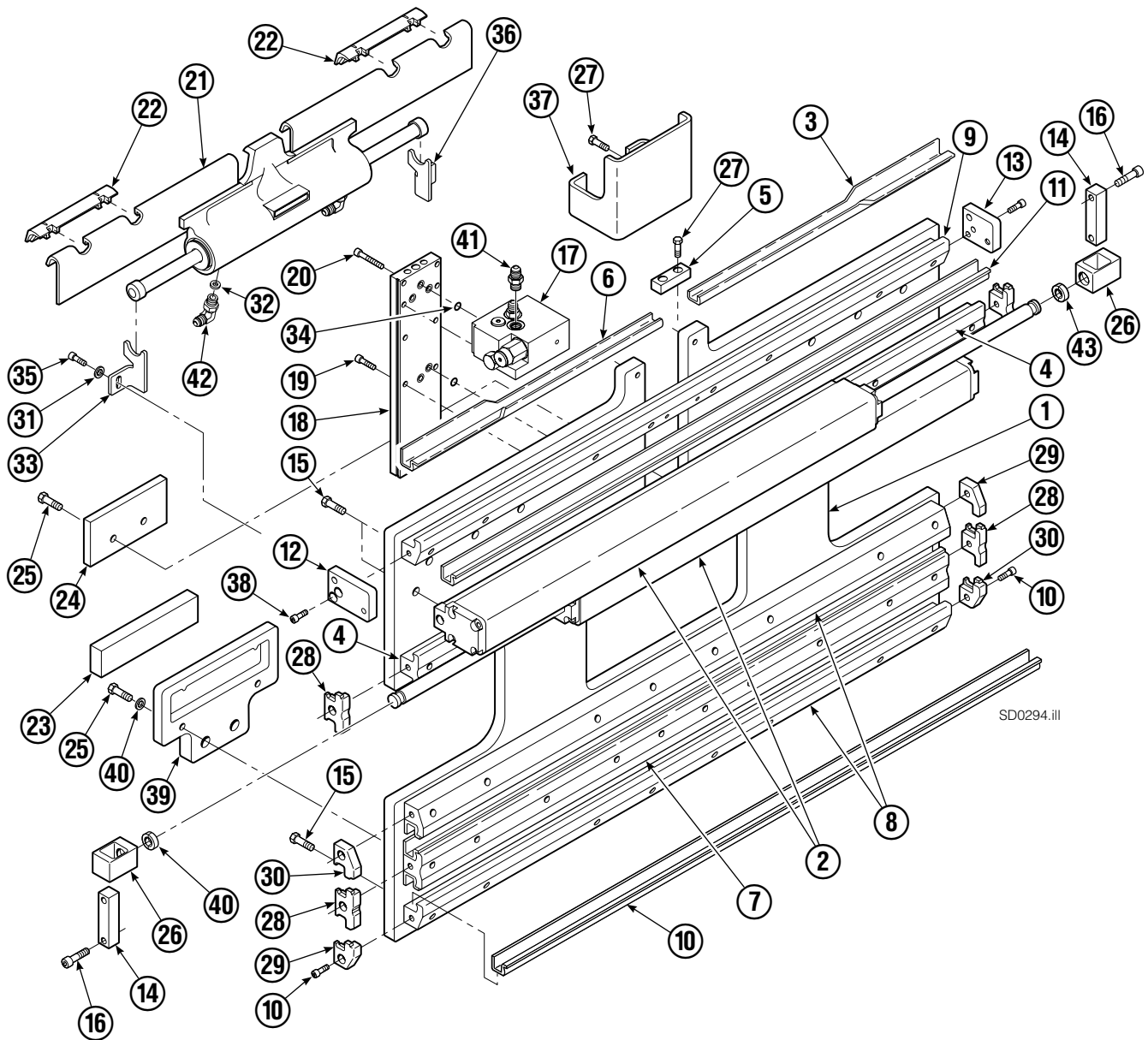
| 55E | | | |
|-----|-----|----------|--------------------|
| REF | QTY | PART NO. | DESCRIPTION |
| 1 | 6 | 665595 | No Hand Hold Decal |
| 2 | 4 | 679150 | No Step Decal |

Publications



| 55E | |
|----------|-----------------------------|
| PART NO. | DESCRIPTION |
| 215793 | Service Manual |
| 213580 | Operator's Guide |
| 213372 | Installation Instructions |
| 679929 | Tool Catalog |
| 673964 | Literature Index Order Form |

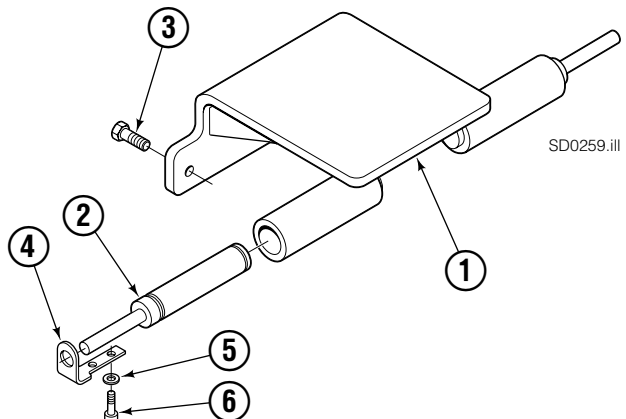
Base Unit Group – ITA Class II



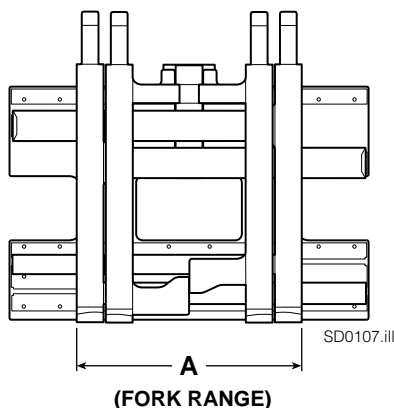
Inner Fork Control Group

| 55E | | | |
|-----|-----|----------|----------------------------|
| REF | QTY | PART NO. | DESCRIPTION |
| | | 225394 | Inner Fork Control Group ▼ |
| 1 | 1 | 225396 | Bracket |
| 2 | 2 | 225395 | Gas Cylinder |
| 3 | 3 | 623821 | Capscrew, M12 x 20 |
| 4 | 2 | 230791 | Retainer |
| 5 | 4 | 202346 | Washer, M6 |
| 6 | 4 | 768785 | Capscrew, M6 x 10 |

▼ Included in Base Unit Group 6104006.



Base Unit Group – ITA Class II



NOTE: Position the outer forks to minimum width and measure **A** to determine minimum outer fork outside to outside (OTO) range.

| 55E | | | |
|-----|-----|-----------|------------------------------|
| REF | QTY | PART NO. | DESCRIPTION |
| | | 6104006 | Base Unit Group – Class II ▲ |
| 1 | 1 | 3003738 | Baseplate |
| 2 | 2 | 214622 | Frame Cylinder ★ |
| 3 | 1 | 4786-0468 | Bearing Segment – LH |
| 4 | 2 | 214629 | T-Bar – Upper |
| 5 | 1 | 212723 | Fork Stop |
| 6 | 1 | 4787-0468 | Bearing Segment – RH |
| 7 | 1 | 214631 | T-Bar – Lower |
| 8 | 2 | 214633 | T-Bar – Lower |
| 9 | 1 | 220143 | T-Bar – Upper |
| 10 | 4 | 4730-1040 | Bearing Segment |
| 11 | 4 | 4730-1050 | Bearing Segment |

▲ Includes Inner Fork Control Group 225394.

Common Parts

| REF | QTY | PART NO. | DESCRIPTION | REF | QTY | PART NO. | DESCRIPTION |
|-----|-----|----------|----------------------|-----|-----|----------|--------------------------|
| | | 6105187 | Common Parts Group | 28 | 4 | 210140 | Bearing Retainer |
| 12 | 1 | 220009 | Retainer/Stop – RH | 29 | 2 | 212585 | Bearing Retainer |
| 13 | 1 | 6101490 | Retainer/Stop – LH | 30 | 2 | 212586 | Bearing Retainer |
| 14 | 2 | 210489 | Rod End Anchor ■ | 31 | 2 | 787398 | Washer |
| 15 | 15 | 211689 | Capscrew | 32 | 1 | 564226 | Washer |
| 16 | 4 | 768303 | Capscrew, M10 x 35 ■ | 33 | 1 | 213737 | Bracket – RH |
| 17 | 1 | 216838 | Valve Assembly ▲ | 34 | 7 | 214053 | O-Ring |
| 18 | 1 | 211456 | Manifold | 35 | 14 | 787375 | Capscrew, M8 x 20 GR 8.8 |
| 19 | 10 | 768208 | Capscrew, M8 x 25 | 36 | 1 | 213736 | Bracket – LH |
| 20 | 2 | 768810 | Capscrew, M8 x 30 | 37 | 1 | 6007050 | Valve Guard |
| 21 | 1 | 205842 | Sideshift Cylinder ● | 38 | 37 | 214487 | Capscrew, M12 x 40 |
| 22 | 2 | 204187 | Upper Bearing | 39 | 2 | 215226 | Hanger |
| 23 | 2 | 208350 | Lower Bearing | 40 | 4 | 787383 | Lockwasher, M10 |
| 24 | 2 | 212709 | Spacer Block | 41 | 2 | 604511 | Fitting, 6-6 ◆ |
| 25 | 8 | 767615 | Capscrew, M10 x 25 | 42 | 2 | 601676 | Fitting, 6-6 ◆ |
| 26 | 2 | 209741 | Rod End ■ | 43 | 4 | 210490 | Retainer Half Ring ■ |
| 27 | 2 | 684649 | Capscrew, M10 x 25 | | | | |

★ See Frame Cylinder page for parts breakdown.

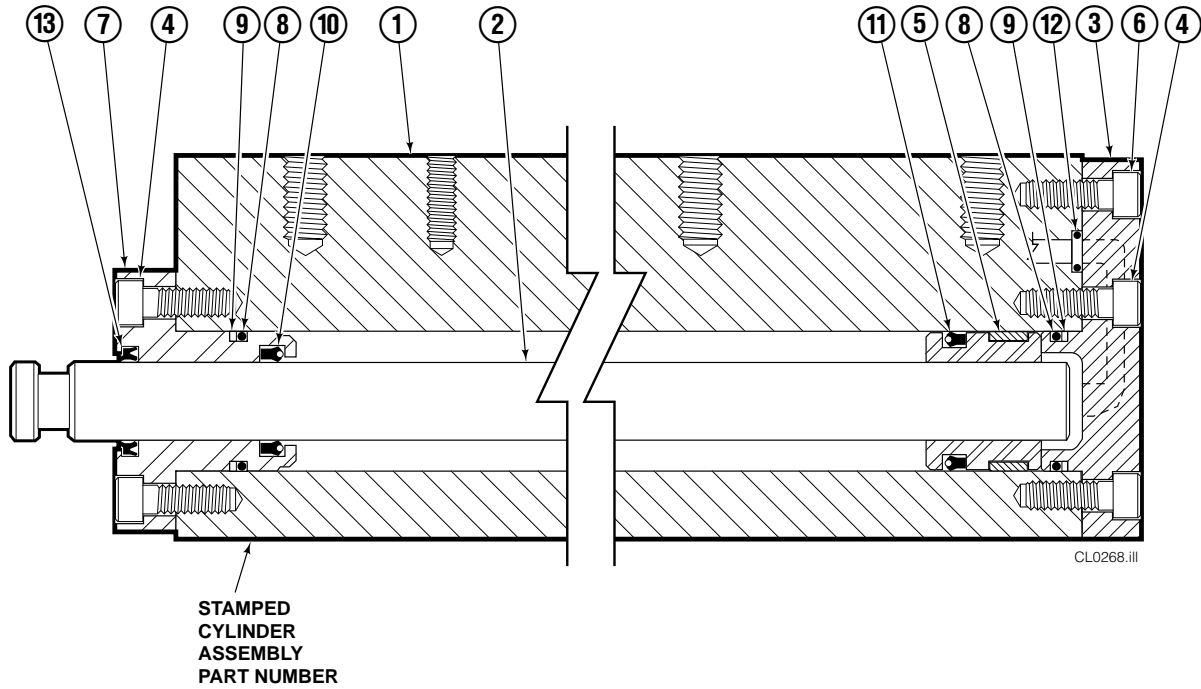
● See Sideshift Cylinder page for parts breakdown.

▲ See Valve Assembly page for parts breakdown.

◆ Included in Fitting Group 213099.

■ Included in Cylinder Rod Anchor Kit 213856.

Frame Cylinder

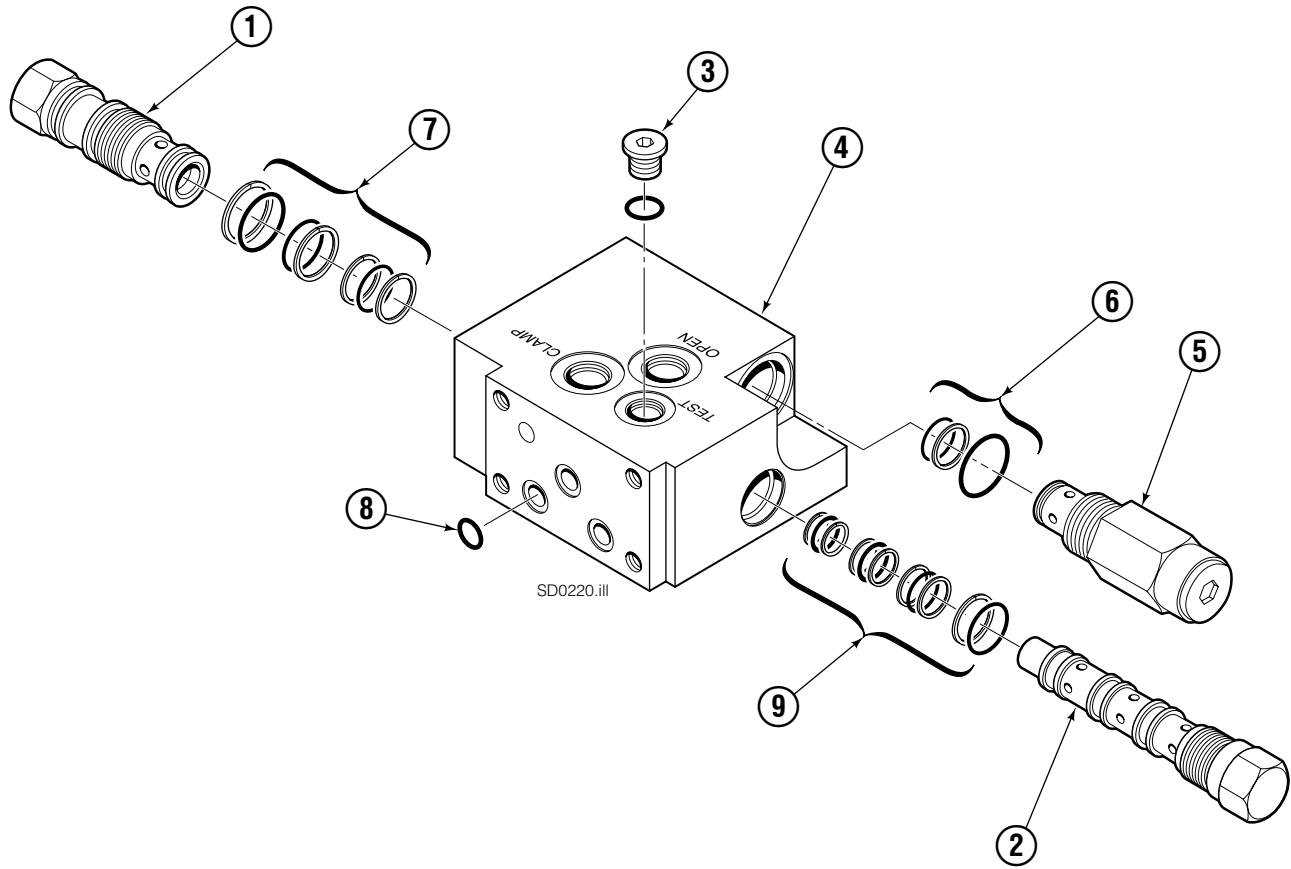


| 55E | | | |
|-----|-----|----------|-------------------|
| REF | QTY | PART NO. | DESCRIPTION |
| | | 214622 | Cylinder Assembly |
| 1 | 1 | 214623 | Cylinder/Shell |
| 2 | 1 | 4157-825 | Rod |
| 3 | 1 | 213783 | End Cap |
| 4 | 8 | 768208 | Capscrew, M8 x 25 |
| 5 | 1 | 209809 | Bearing ▲ |
| 6 | 1 | 787375 | Capscrew, M8 x 20 |
| 7 | 1 | 212452 | Retainer |
| 8 | 3 | 643379 | O-Ring ▲ |
| 9 | 2 | 210050 | Back-Up Ring ▲ |
| 10 | 1 | 212477 | Seal ▲ |
| 11 | 1 | 209808 | Seal ▲ |
| 12 | 2 | 214053 | O-Ring ▲ |
| 13 | 1 | 562131 | Wiper ▲ |
| | | 210090 | Service Kit |

▲ Included in Service Kit 210090.

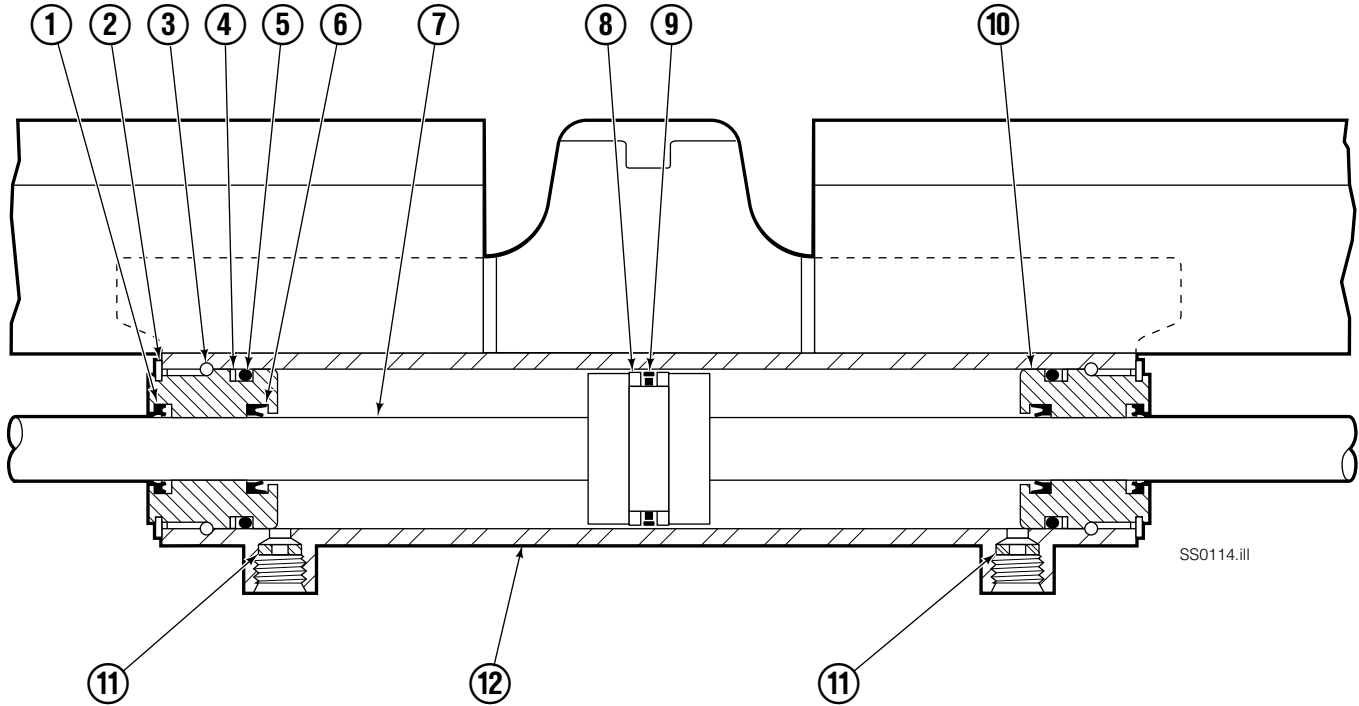
Reference: S-4643, S-4644.

Valve ITA Class II & III



| REF | QTY | PART NO. | DESCRIPTION |
|-----|-----|----------|------------------------|
| | | 216838 | Valve Assembly |
| 1 | 1 | 219039 | Check Valve |
| 2 | 1 | 219040 | Flow Divider/Combiner |
| 3 | 1 | 609234 | Plug |
| 4 | 1 | 216839 | Valve Body |
| 5 | 1 | 213535 | Crossover Relief Valve |
| 6 | 1 | 220151 | Service Kit |
| 7 | 1 | 222996 | Service Kit |
| 8 | 3 | 214053 | O-Ring |
| 9 | 1 | 220148 | Service Kit |

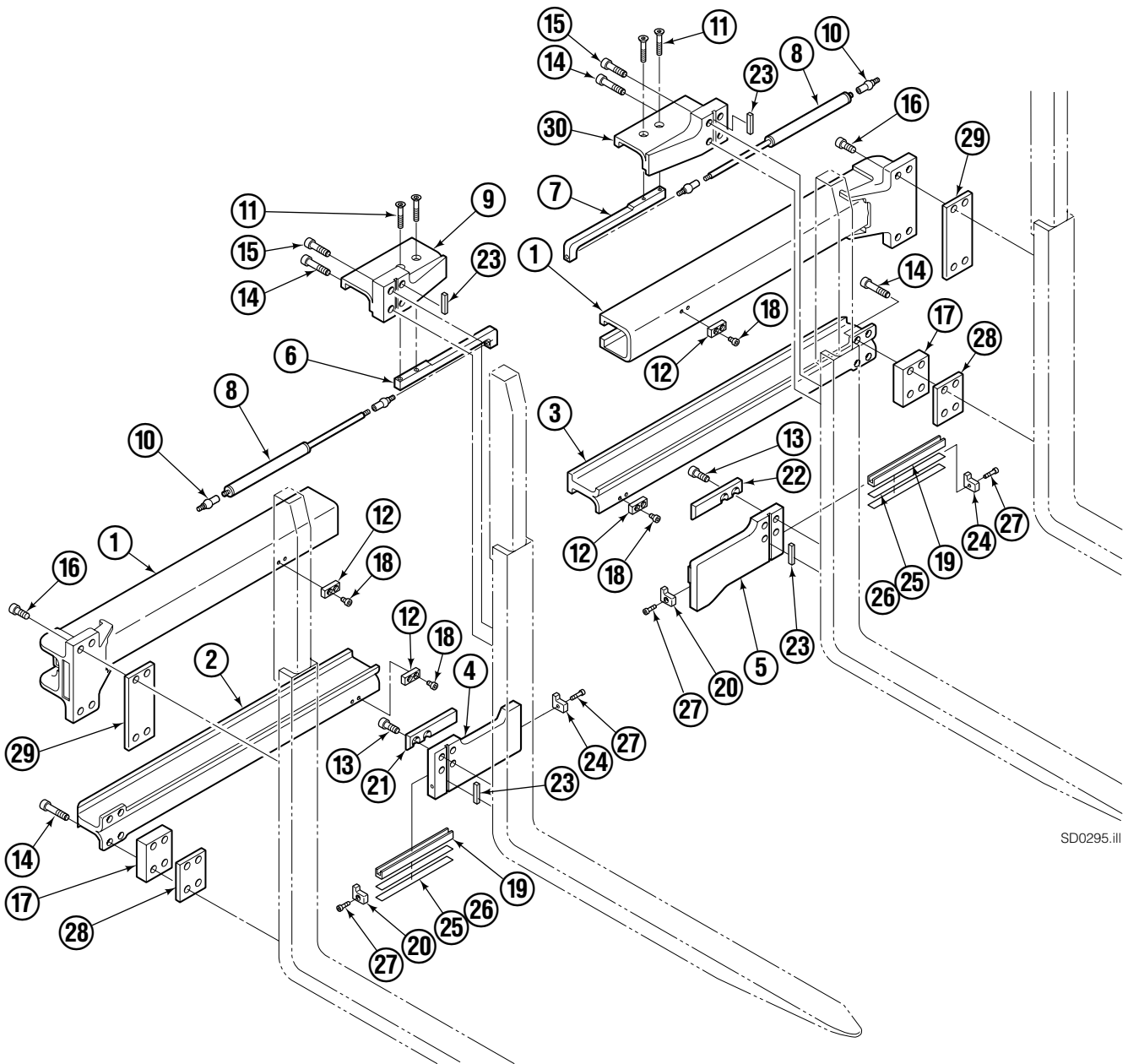
Sideshift Cylinder ITA Class II



| 55E | | | |
|-----|-----|----------|------------------------|
| REF | QTY | PART NO. | DESCRIPTION |
| | | 205842 | Cylinder Assembly |
| ● 1 | 2 | 562131 | Wiper Seal |
| 2 | 2 | 562951 | Snap Ring |
| 3 | 2 | 562942 | Retaining Ring |
| ● 4 | 2 | 563388 | Back-Up Ring |
| ● 5 | 2 | 562127 | O-Ring |
| ● 6 | 2 | 562132 | Rod Seal |
| 7 | 1 | 562055 | Rod |
| ● 8 | 2 | 563278 | Bearing Ring |
| ● 9 | 1 | 564141 | Piston Seal |
| 10 | 2 | 562792 | Retainer |
| 11 | 2 | 564226 | Speed Control Washer ▲ |
| 12 | - | ■ | Cylinder Shell |
| | | 563487 | Service Kit |

- Included in Service Kit 563487.
- Not serviceable, order new cylinder assembly.
- ▲ Reference: Restrictor Group 205369.

Arm Group



SD0295.iii

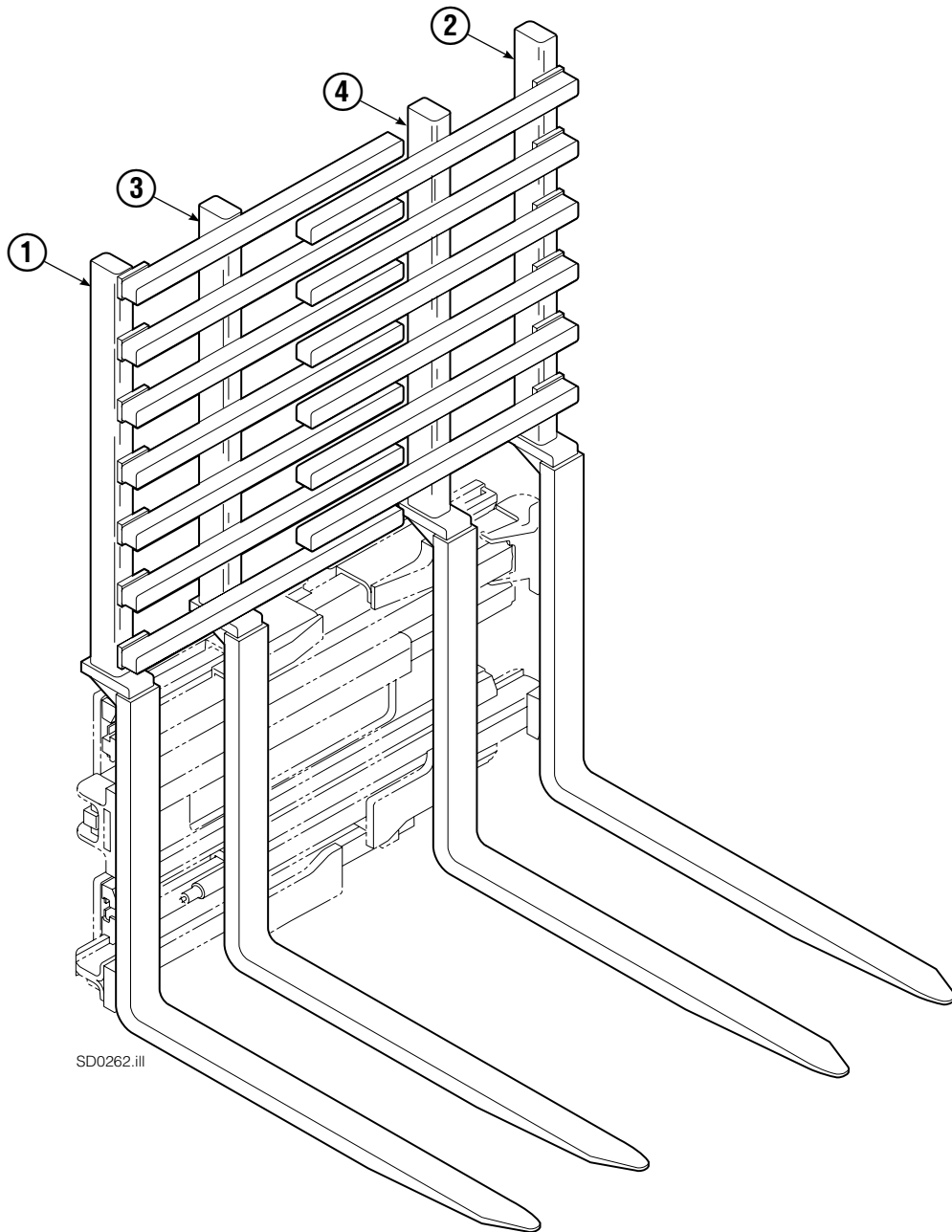
Arm Group

| 55E | | | |
|-----|-----|------------|--------------------|
| REF | QTY | PART NO. | DESCRIPTION |
| | | 6104472 | Arm Group |
| 1 | 2 | 220176 | Upper Arm Bar |
| 2 | 1 | 220216 | Lower Arm Bar – RH |
| 3 | 1 | 220206 | Lower Arm Bar – LH |
| 4 | 1 | 220136 | Lower Hook – RH |
| 5 | 1 | 220139 | Lower Hook – LH |
| 6 | 1 | 28088-0354 | Bracket – RH |
| 7 | 1 | 28087-0354 | Bracket – LH |
| 8 | 2 | 6104267 | Gas Spring |

| REF | QTY | PART NO. | DESCRIPTION | REF | QTY | PART NO. | DESCRIPTION |
|-----|-----|-----------|--------------------|-----|-----|----------|-----------------------|
| 9 | 1 | 220095 | Upper Hook – RH | 20 | 2 | 225345 | Bearing Retainer |
| 10 | 4 | 213011 | Ball Joint | 21 | 1 | 213899 | Bearing – RH |
| 11 | 4 | 766646 | Capscrew, M10 x 20 | 22 | 1 | 213899 | Bearing – LH |
| 12 | 4 | 212687 | Fork Stop | 23 | 4 | 213364 | Key |
| 13 | 8 | 769574 | Capscrew, M16 x 35 | 24 | 2 | 225345 | Bearing Retainer |
| 14 | 12 | 769578 | Capscrew, M16 x 60 | 25 | 6 | 212559 | Shim, .04 in. (1 mm) |
| 15 | 4 | 769577 | Capscrew, M16 x 50 | 26 | – | — | Shim, .02 in. (.5 mm) |
| 16 | 8 | 769574 | Capscrew, M16 x 35 | 27 | 4 | 787375 | Capscrew, M8 x 20 |
| 17 | 2 | 210587 | Spacer | 28 | – | — | Spacer |
| 18 | 8 | 214414 | Capscrew, M10 x 12 | 29 | 4 | 797610 | Spacer |
| 19 | 2 | 4501-0222 | Bearing Segment | 30 | 1 | 6101471 | Upper Hook – LH |

Reference: SK-6373, SK-6374, Common Parts Group 6105251.

Interlocking Backrest/Fork Group

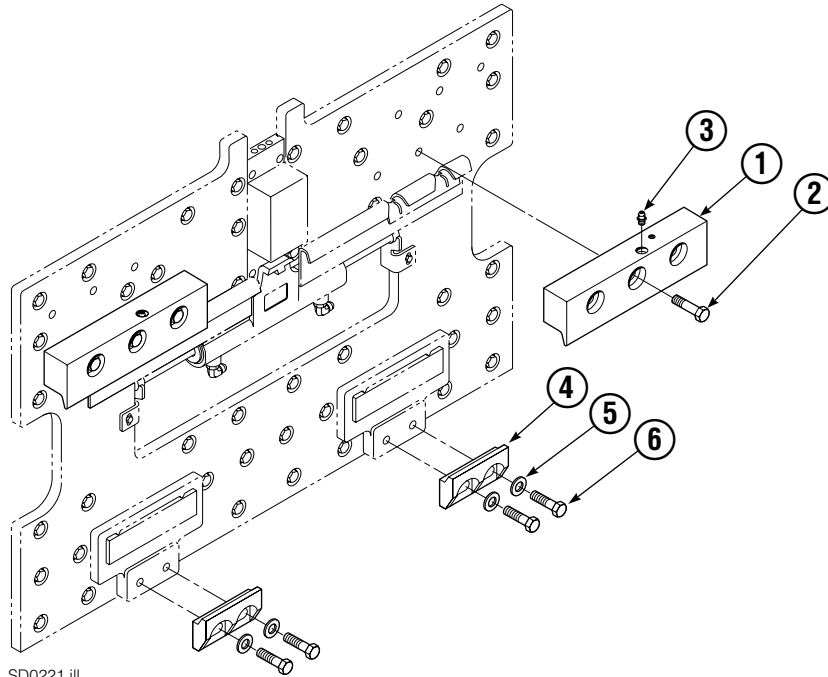


SD0262.ill

| REF | QTY | PART NO. | DESCRIPTION |
|-----|-----|----------|-----------------|
| | | 6104343 | Fork Group |
| 1 | 1 | 6104345 | Outer Fork – RH |
| 2 | 1 | 6104344 | Outer Fork – LH |
| 3 | 1 | 6104347 | Inner Fork – RH |
| 4 | 1 | 6104346 | Inner Fork – LH |

Reference: S-4563, S-4558.

Mounting Group ITA Class II



SD0221.ill

| 55E | | | |
|-----|-----|----------|--------------------|
| REF | QTY | PART NO. | DESCRIPTION |
| | | 212569 | Upper Hook Group ▲ |
| | | 211173 | Lower Hook Group ★ |
| 1 | 2 | 210591 | Upper Hook |
| 2 | 6 | 751511 | Capscrew, M16 x 55 |
| 3 | 2 | 7403 | Grease Fitting |
| 4 | 2 | 675968 | Lower Hook |
| 5 | 4 | 667225 | Washer |
| 6 | 4 | 751511 | Capscrew, M16 x 55 |

▲ Includes items 1 & 2.

★ Includes items 4-6.

Reference: SK-6373.

Do you have questions you need answered right now? Call your nearest Cascade Parts Department.

Cascade Corporation

2501 Sheridan Avenue
Springfield, OH 45505
Tel: 888-CASCADE (227-2233)
FAX: 888-329-0234
www.cascorp.com

Cascade Canada Inc.

5570 Timberlea Blvd.
Mississauga, Ontario
Canada L4W-4M6
Tel: 905-629-7777
FAX: 905-629-7785

Cascade GmbH

D-41199 Monchengladbach
Klosterhofweg 52
Germany
Tel: 49-216-668230
FAX: 49-216-6682323

Cascade Finland

Albert Petreliuksenkatu 3
01370 Vantaa
Finland
Tel: 358-9-836-1925
FAX: 358-9-836-1935

**Cascade N.V.
European Headquarters**

P.O. Box 3009
1300 El Almere
Damluisweg 56
1332 ED Almere
The Netherlands
Tel: 31-36-5492911
FAX: 31-36-5492964

**Cascade N.V.
Benelux Sales and Service**

P.O. Box 3009
1300 El Almere
Damluisweg 56
1332 ED Almere
The Netherlands
Tel: 31-36-5492950
FAX: 31-36-5492974

Cascade (UK) Ltd.

15, Orgreave Crescent
Dore House Industrial Estate
Handsworth
Sheffield S13 9NQ
England
Tel: 742-697524
FAX: 742-695121

Cascade Scandinavia AB

Box 124
Hammarvägen 10
567 23 Vaggeryd
Sweden
Tel: 42-0-393-36950
FAX: 46-0-393-36959

Cascade Norway

Østerliveien 37A
1153 Oslo
Norway
Tel: 47-22-743160
FAX: 47-22-743157

Cascade France S.A.R.L.

1D Rue De Charaintru
BP 18, 91360 Epinay-Sur-Orge
Morangis Cedex, France
Tel: 33-1- 64547500
FAX: 33-1-64547501

Cascade Hispania S.A.

Carrer 5 Sector C
Zona Franca Duanera
Poligono de la Zon Franca
08040 Barcelona, Spain
Office No. 256
Tel: 93-264-07-30
FAX: 93-264-07-31

Cascade Japan Ltd.

5-5-41,
Torikai Kami
Settsu, Osaka
Japan, 566
Tel: 81-726-53-3490
FAX: 81-726-53-3497

Cascade Korea

108B, Namdong Ind Complex
658-3 Gojan-Dong
Namdong-Gu
Inchon, 405-310 Korea
Tel: 82-32-821-2051
FAX: 82-32-821-2055

Cascade Australia

1445 Ipswich Road
Rocklea, QLD 4106
Australia
Tel: 1-800227-223
FAX: (07) 3373-7333

Cascade New Zealand

15 Ra Ora Drive
East Tamaki, Auckland
New Zealand
Tel: 9-273-9136
FAX: 9-273-9137

Cascade (Africa) Pty. Ltd.

P.O. Box 625, Isando 1600
60A Steel Road
Sparton, Kempton Park
South Africa
Tel: 27-11-975-9240
FAX: 27-11-394-1147

Cascade-Xiamen

No. 668 Yangguang Rd.
Xinyang Industrial Zone
Haicang, Xiamen City
Fujian Province
P.R. China 361026
Tel: 86-592-651-2500
FAX: 86-592-651-2571

**Cascade (Singapore)
Trading Co.**

Four Seasons Park
Autumn Block - Apt. 1802
12 Cuscaden Walk
Singapore
Tel: 65-834-1935
FAX: 65-834-1936

