



Parts Manual

Model _____ **Paper Roll Clamp**

Serial Number _____ **60G-RCP-B005R0**

cascade[®]
corporation

For Technical Assistance call: 800-227-2233, Fax: 888-329-8207

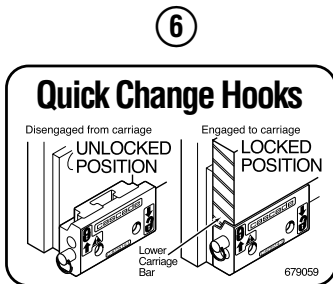
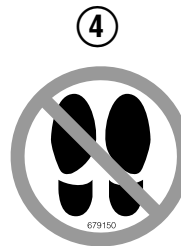
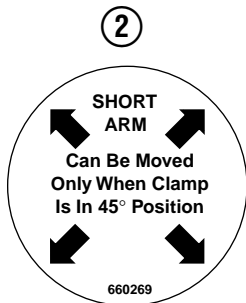
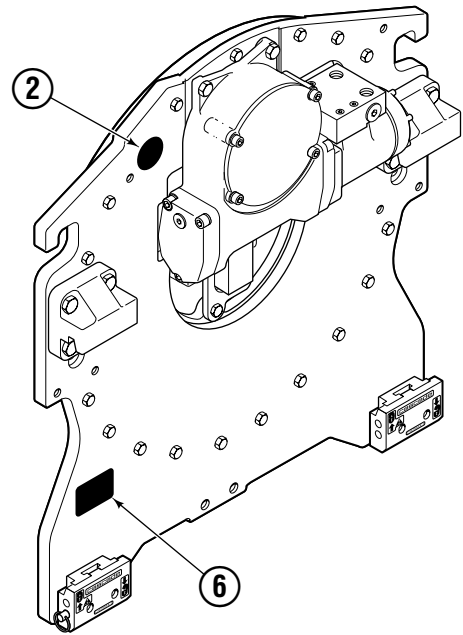
To Order Parts call: 888-227-2233, Fax: 888-329-0234

OR

Write: Cascade Corporation, P.O. Box 20187, Portland, OR 97220

Internet: www.cascorp.com

Decals



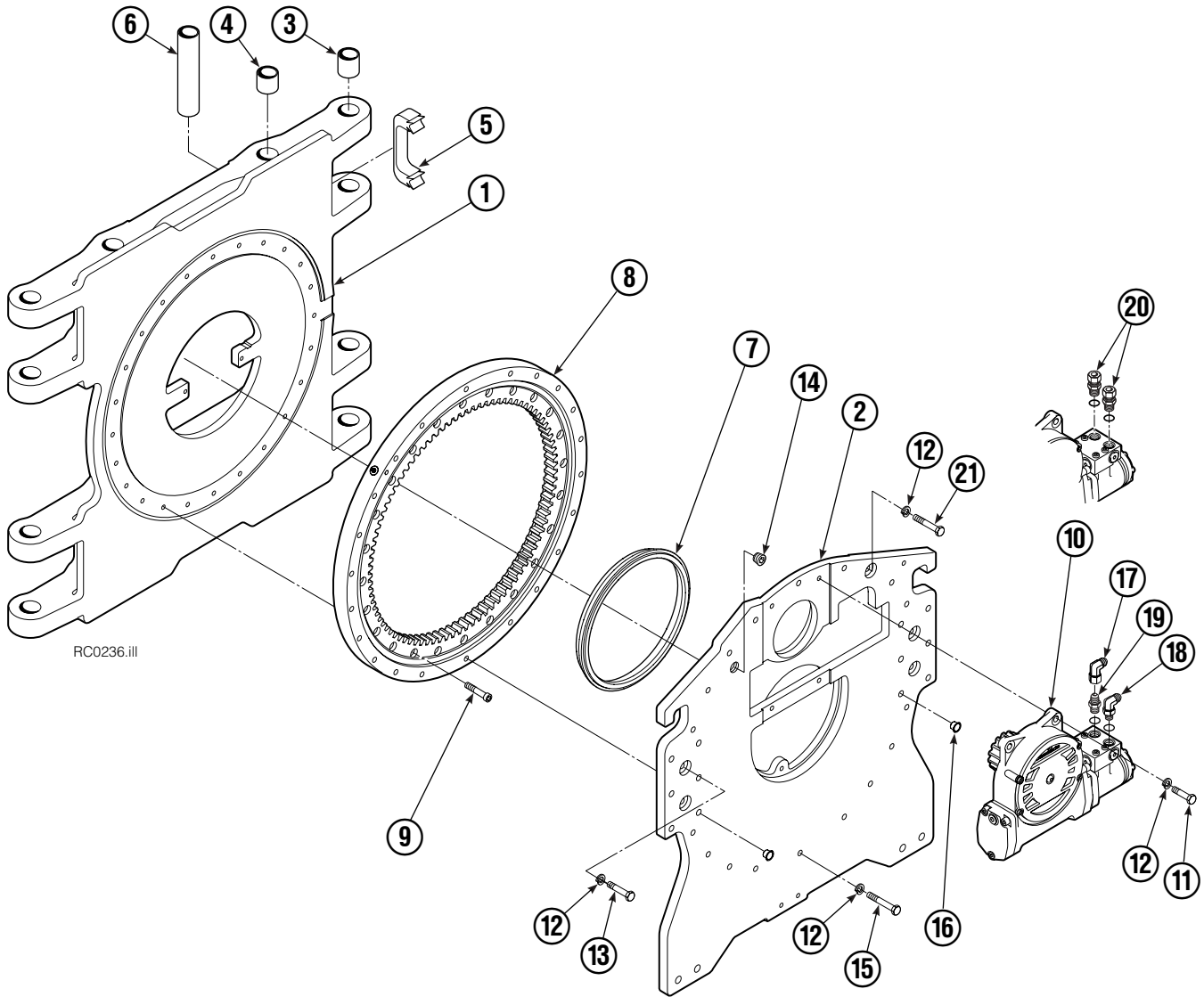
60G			
REF	QTY	PART NO.	DESCRIPTION
1	6	665595	No Hand Hold Decal
2	1	660269	Short Arm Rotation Position Decal
3	4	656038	Caution Decal
4	4	679150	No Step Decal
5	4	665677	Trapped Pressure Decal
6	1	679059	Quick-Change Hook Decal

Publications



60G	
PART NO.	DESCRIPTION
213550	Parts Manual
213744	Service Manual
210135	Operator's Guide
212420	Installation Instructions - Fixed Frame
677555	Driver Training Video - VHS
678363	Troubleshooting Video - VHS
680664	Servicing Cascade Cylinders - VHS
679929	Tool Catalog
673964	Literature Index Order Form

Frame Group

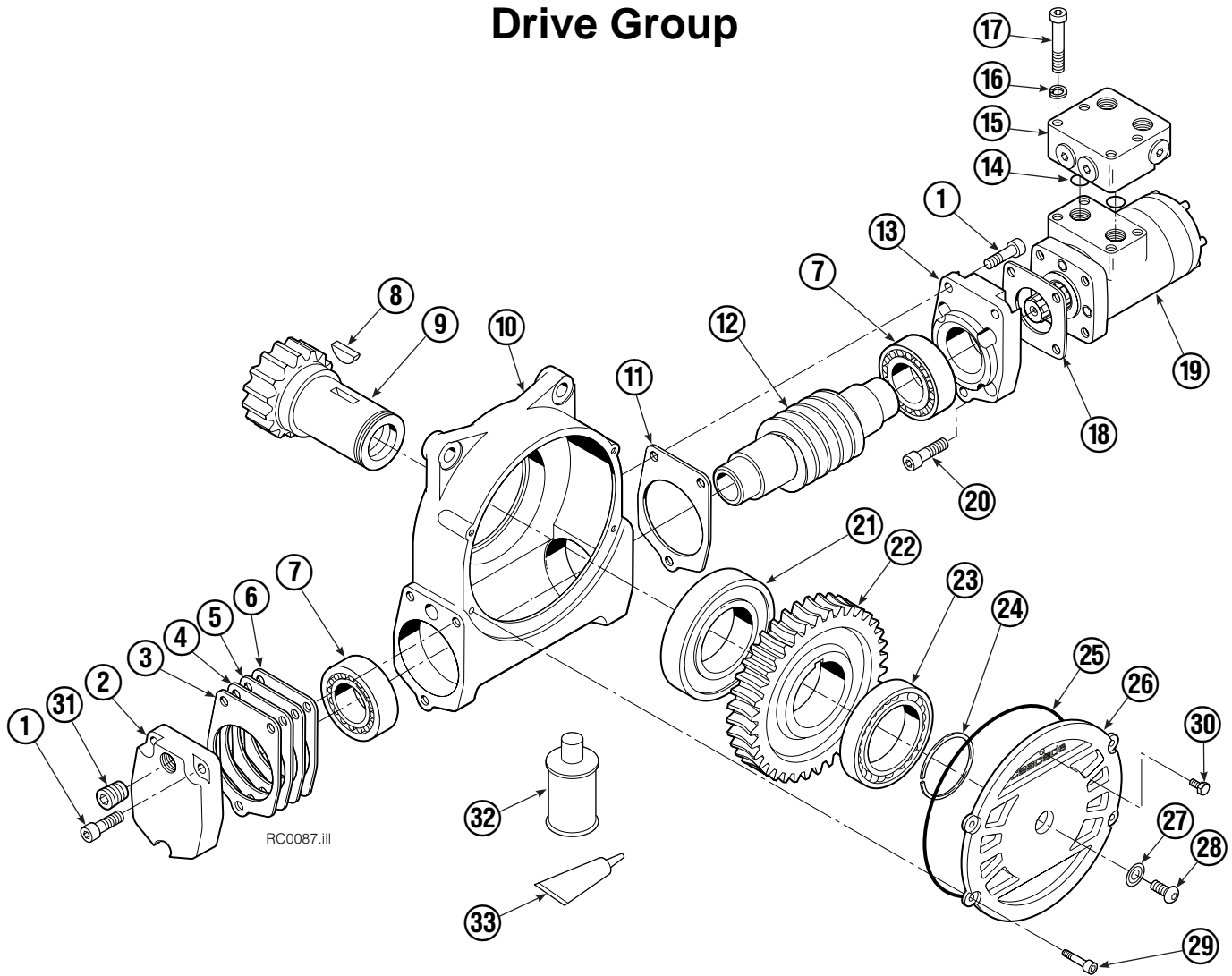


60G							
REF	QTY	PART NO.	DESCRIPTION	REF	QTY	PART NO.	DESCRIPTION
		213807	Frame Group w/o Stop – 72 in. ▲	11	4	211689	Capscrew, M12 x 30
1	1	213808	Frame w/o Stop – 72 in.	12	26	683822	Lockwasher, M12
2	1	209940	Baseplate w/o Stop	13	4	206174	Capscrew, M12 x 45
3	8	211718	Bearing	14	1	6605	Fitting, 3/4 in.
4	8	211717	Bearing	15	18	213633	Capscrew, M12 x 55
5	4	211712	Hose Guard	16	2	631428	Plug
6	4	209987	Spacer	17	1	605761	Fitting, 8-8 SAE
7	1	209944	Seal	18	1	601250	Fitting, 8-8 SAE
8	1	213761	Bearing Assembly	19	1	601377	Fitting, 8-8 SAE
9	24	767596	Capscrew, M12 x 40	20	2	765492	Fitting, 8 SAE – M10 L-Series
10	1	212308	Drive Group – 2.2 c.i. Motor ●		2	765493	Fitting, 8 SAE – M12 L-Series
10	1	795491	Drive Group – 2.8 c.i. Motor ●		2	756920	Fitting, 8 SAE – M12 S-Series

▲ Maximum roll handling capacity.
 ● See Drive Group page for parts breakdown.
 Reference: S-4165, S-4506, S-4189, S-4159.

Baseplate & Rotator Group 213763.
 Fitting Group 212367.
 Common Parts 211975, 213762.

Drive Group

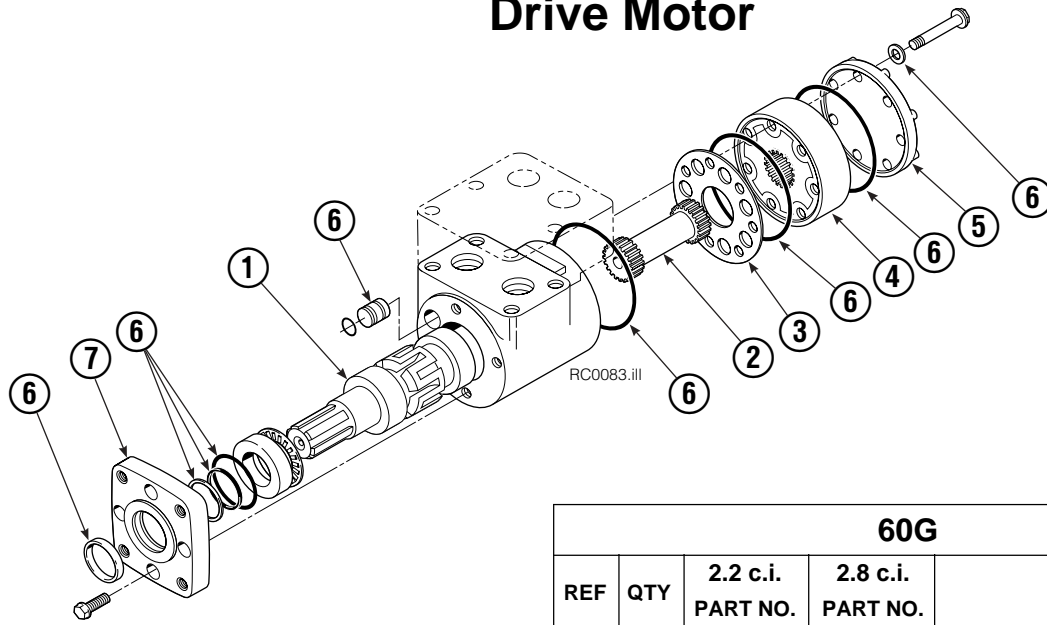


60G							
REF	QTY	PART NO.	DESCRIPTION	REF	QTY	PART NO.	DESCRIPTION
		212308	Drive Group with 2.2 c.i. Motor	19	1	670575	Gasket
		795491	Drive Group with 2.8 c.i. Motor	20	4	4468	Capscrew, 3/8 NC x .75 GR8
1	6	768826	Capscrew, M12 x 25	21	1	670580	Bearing
2	1	795258	Cover	22	1	675609	Worm Gear
3	●	674513	Shim - .005" (blue)	23	1	670581	Bearing
4	●	670574	Shim - .010" (brown)	24	1	7214	Snap Ring
5	●	671757	Shim - .015" (pink)	25	1	204970	Gasket
6	●	671758	Shim - .020" (yellow)	26	1	775552	Cover
7	2	670579	Bearing	27	1	783609	Seal
8	1	670582	Key	28	1	783608	Capscrew, M12 x 16
9	1	670506	Pinion	29	4	775639	Capscrew, M8 x 20
10	1	775551	Housing	30	1	644010	Relief Fitting
11	1	686465	Gasket	31	1	602580	Fitting, 8
12	1	675608	Worm	32	1	656300	Gear Box Lube - 48 oz.
13	1	775553	Adapter	33	1	668184	Sealant
14	2	2705	O-Ring			670578	Shim Service Kit (items 3-6,11,25,33)
15	1	670549	Check Valve			675637	Bearing Service Kit (items 21 & 33)
16	4	6444	Lockwasher			675638	Bearing Service Kit (items 3-7,11,25)
17	4	607059	Capscrew, 5/16 NC x 1.75 GR8			212919	Motor Kit-2.2 (items 11,14,18,19,20,33)
18	1	210139	Drive Motor - 2.2 c.i. ▲			206394	Motor Kit-2.8 (items 11,14,18,19,20,33)
18	1	206392	Drive Motor - 2.8 c.i. ▲				

● Quantity as required.

▲ See Drive Motor page for parts breakdown.

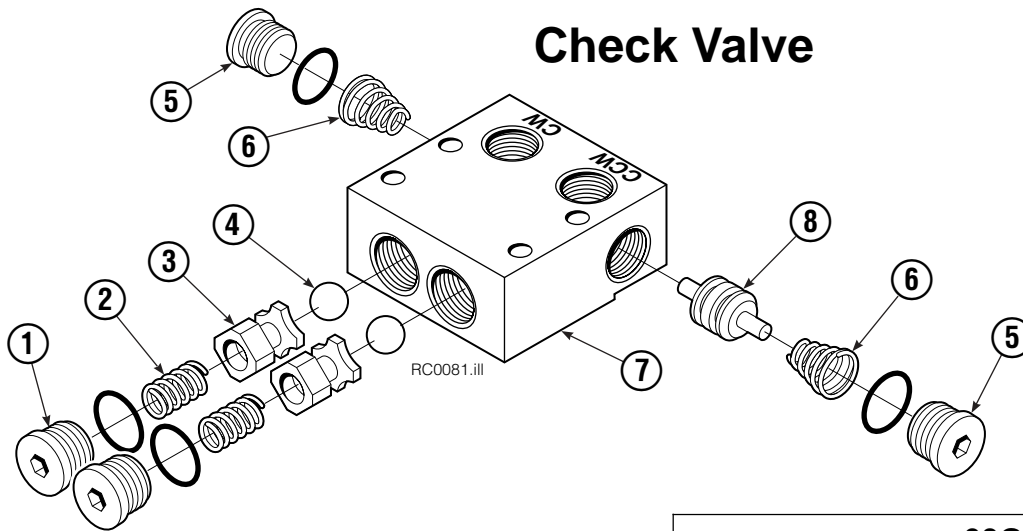
Drive Motor



60G				
REF	QTY	2.2 c.i. PART NO.	2.8 c.i. PART NO.	DESCRIPTION
		210139	206392	Drive Motor
1	1	675478	675478	Shaft
2	1	675477	675477	Drive Link
3	1	211528	675479	Spacer Plate
4	1	210137	675480	Geroler/Gerotor Set
5	1	211527	675482	End Cap
6	1	206405	206405	Service Kit ●
7	1	685090	685090	Flange

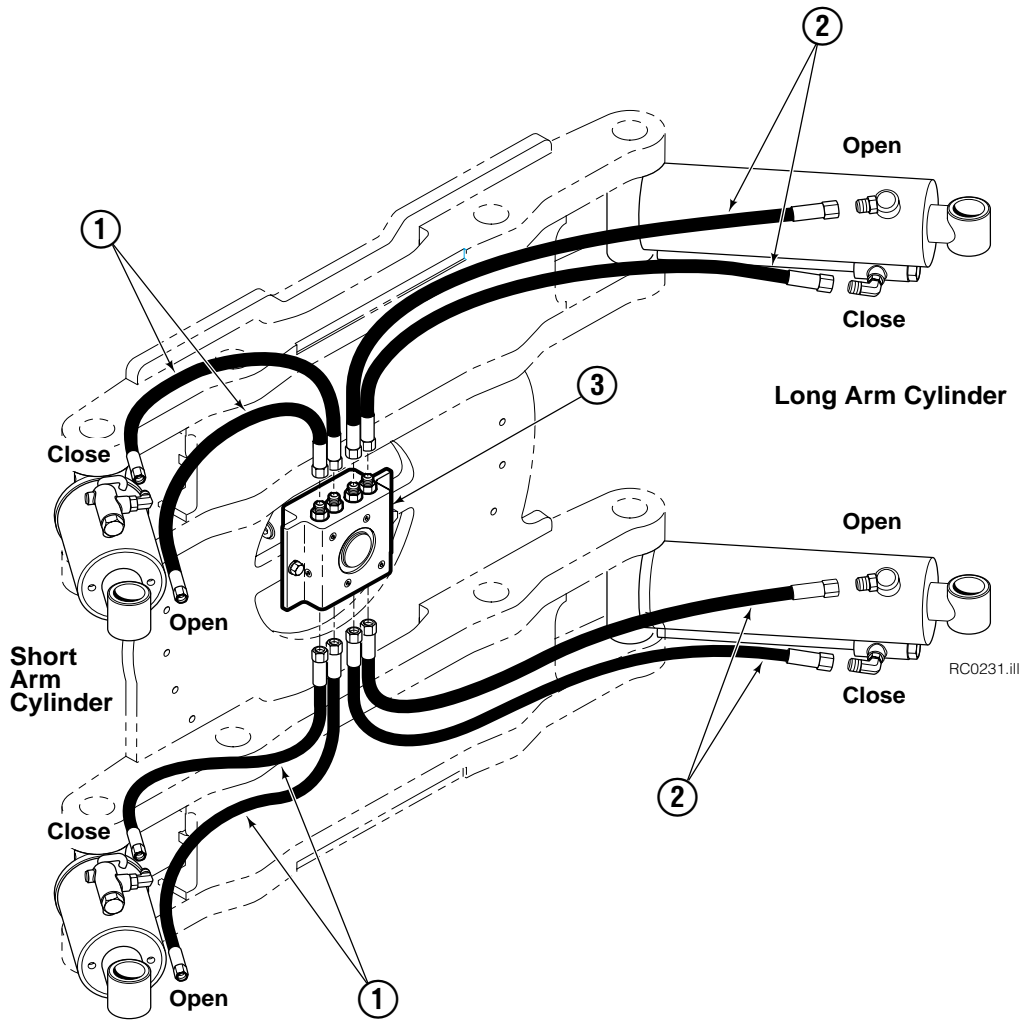
Cascade provides service replacement parts for the listed parts only. Due to cost, if others parts need replacement, the complete Drive Motor should be replaced.

Check Valve



60G			
REF	QTY	PART NO.	DESCRIPTION
		670549	Check Valve Assembly
1	2	609453	Fitting, 10
2	2	670552	Spring
3	2	670551	Guide
4	2	7020	Ball
5	2	602580	Fitting, 8
6	2	673989	Spring
7	1	670550	Body
8	1	670553	Spool

Hosing Group Positioned Short Arm



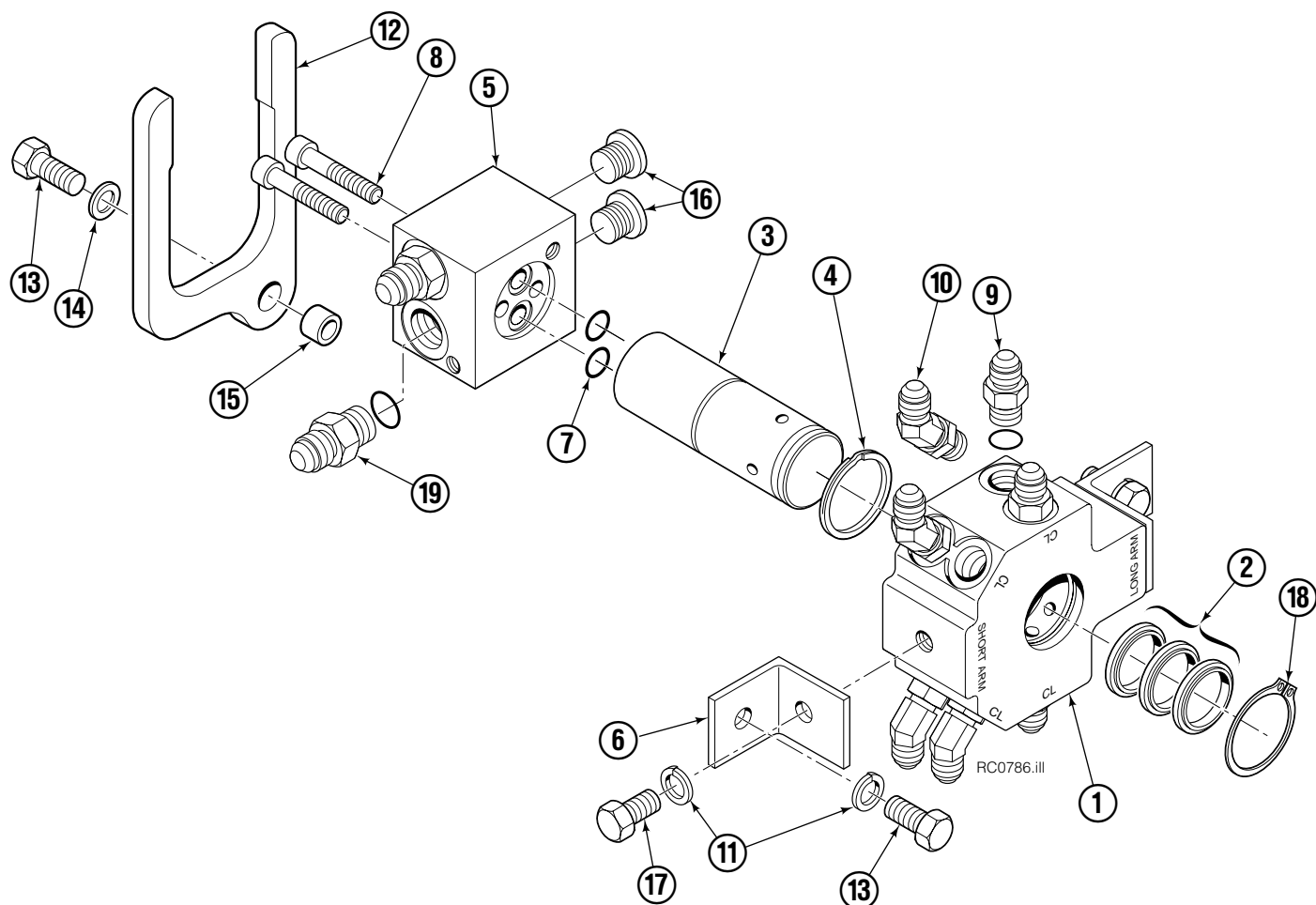
60G			
REF	QTY	72 in. ■ PART NO.	DESCRIPTION
		210016	Hose Group
1	4	210024	Hose
2	4	210025	Hose
3	1	▲	Revolving Connection

■ Maximum roll handling capacity.

▲ See Revolving Connection page for part number.

Reference: S-4192, S-4193.

Revolving Connection



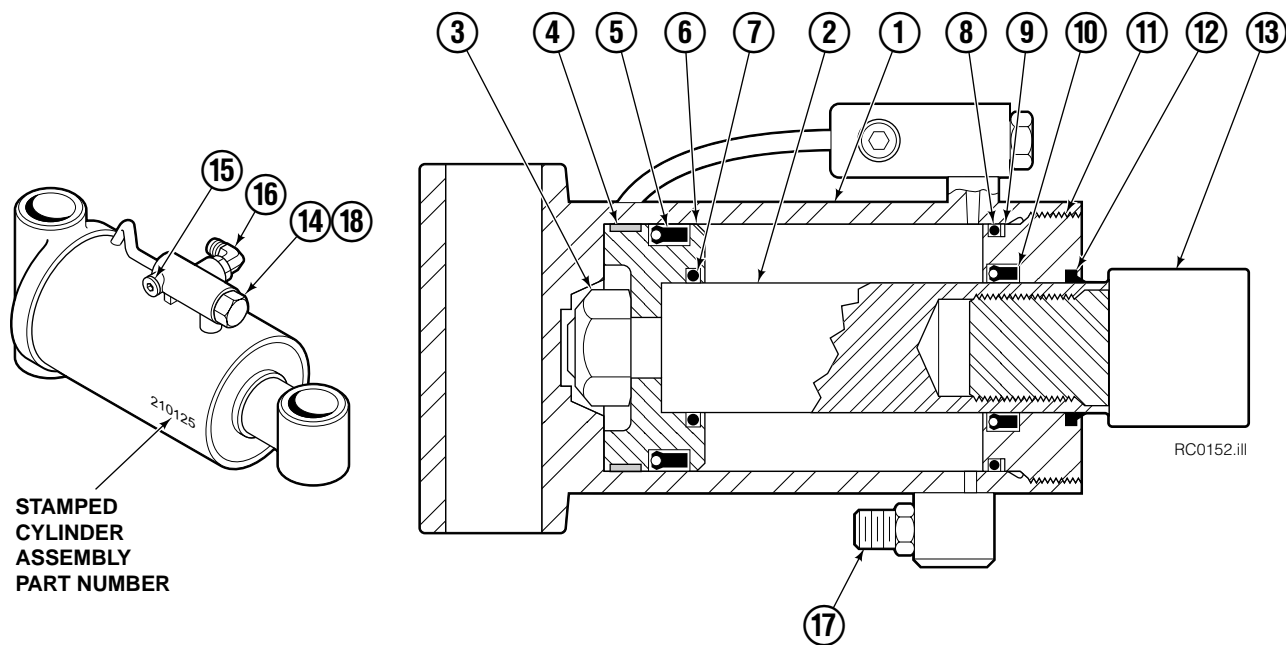
60G			
REF	QTY	PART NO.	DESCRIPTION
		222188	Revolving Connection
1	1	222192	Valve Body
2	3	214649	◆ Seal
3	1	222191	Shaft
4	1	7341	◆ Retaining Ring
5	1	222190	End Block
6	2	222189	Bracket
7	2	564448	◆ O-Ring
8	2	766123	◆ Capscrew, M8 x 50
9	4	604511	Fitting, 6-6
10	4	611302	Fitting, 6-6
11	4	681238	Lockwasher, M10
12	1	211909	End Block Retainer
13	3	215480	Capscrew, M10 x 25
14	1	209021	Washer, M10
15	1	212725	Spacer
16	2	602580	Fitting, 8
17	2	212632	Capscrew, M10 x 20
18	1	3138	◆ Retaining Ring
19	2	601377	● Fitting, 8-8

◆ Included in Service Kit 222223.

● Included in Fitting Group 212367.

Reference: SK-6113.

Cylinders



60G				
REF	QTY	Short Arm	Long Arm	DESCRIPTION
		72 in. ■	72 in. ■	
		PART NO.	PART NO.	
		210128	210132	Cylinder Assembly
1	1	4195-185	4195-395	Shell
2	1	4130-335	4130-500	Rod

■ Maximum roll handling capacity.

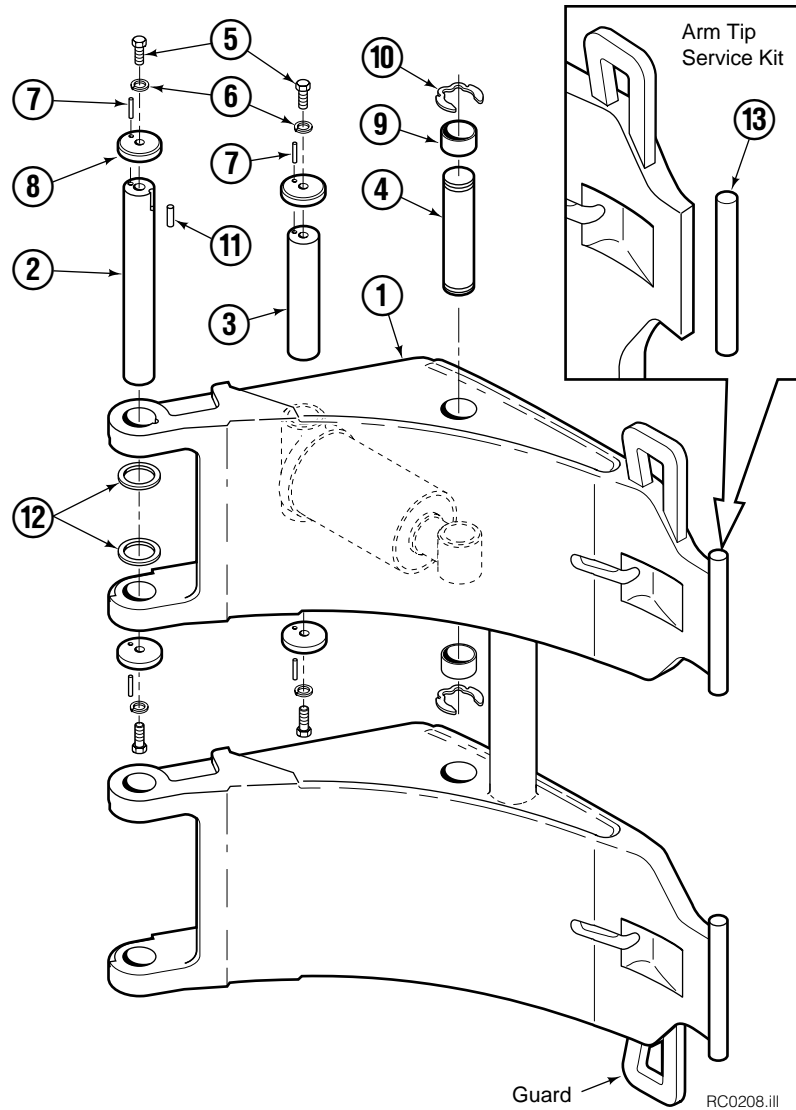
Common Parts

REF	QTY	PART NO.	DESCRIPTION	REF	QTY	PART NO.	DESCRIPTION
3	1	560997	Nut	12	1	564443	▲ Wiper
4	1	211295	▲ Wear Ring	13	1	209764	Rod Eye
5	1	564902	▲ Seal	14	1	659058	Check Valve
6	1	211292	Piston	15	1	609234	Fitting, 4
7	1	210087	▲ O-Ring	16	1	601676	Fitting, 6-6
8	1	564445	▲ O-Ring	17	1	604511	Fitting, 6-6
9	1	564446	▲ Back-Up Ring	18	1	667516	Check Valve Service Kit
10	1	564442	▲ Seal			210133	Cylinder Service Kit
11	1	209763	Retainer				

▲ Included In Service Kit 210133.

Reference: S-4454, S-4460.

Short Arm



60G			
REF	QTY	72 in. ■	DESCRIPTION
		PART NO.	
		212037	Arm Group w/o Guard
1	1	213322	Arm w/o Guard

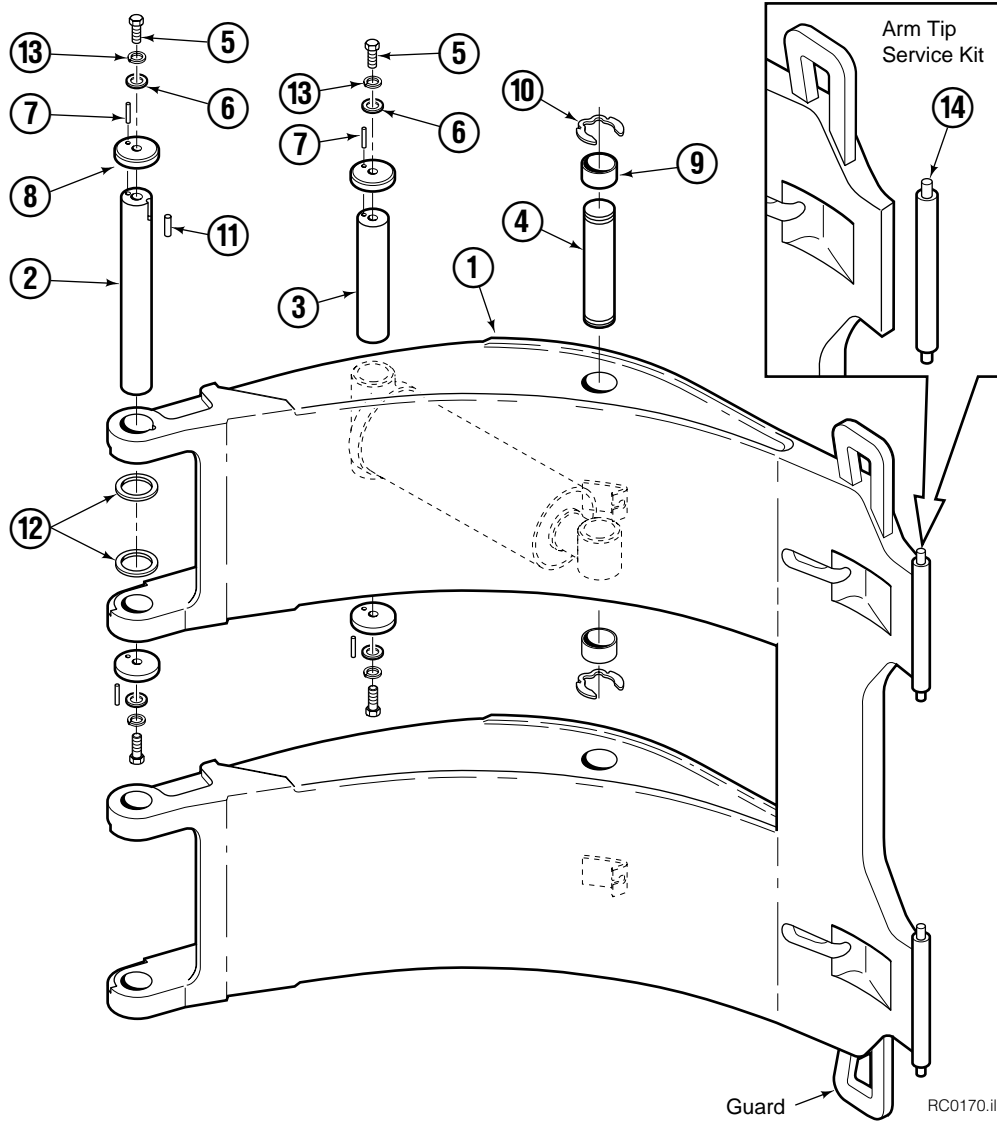
■ Maximum roll handling capacity.

Common Parts

REF	QTY	PART NO.	DESCRIPTION	REF	QTY	PART NO.	DESCRIPTION
		212933	Common Parts Group	8	8	209985	Cap
2	2	209982	Arm Pivot Pin	9	4	210080	Bearing
3	2	209983	Cylinder Pivot Pin	10	4	209986	Retaining Ring
4	2	4175-150	Cylinder Rod Pivot Pin	11	2	212382	Dowel Pin, 8x16 mm
5	8	212632	Capscrew, M10x1.5x20	12	16	209941	Shim - .062 in.
6	8	209021	Washer, M10	13	1	212902	Arm Tip Service Kit
7	8	769009	Roll Pin				

Reference: S-4173.

Long Arm



60G			
REF	QTY	72 in. ■	DESCRIPTION
		PART NO.	
		212564	Arm Group w/o Guard
1	1	213352	Arm w/o Guard

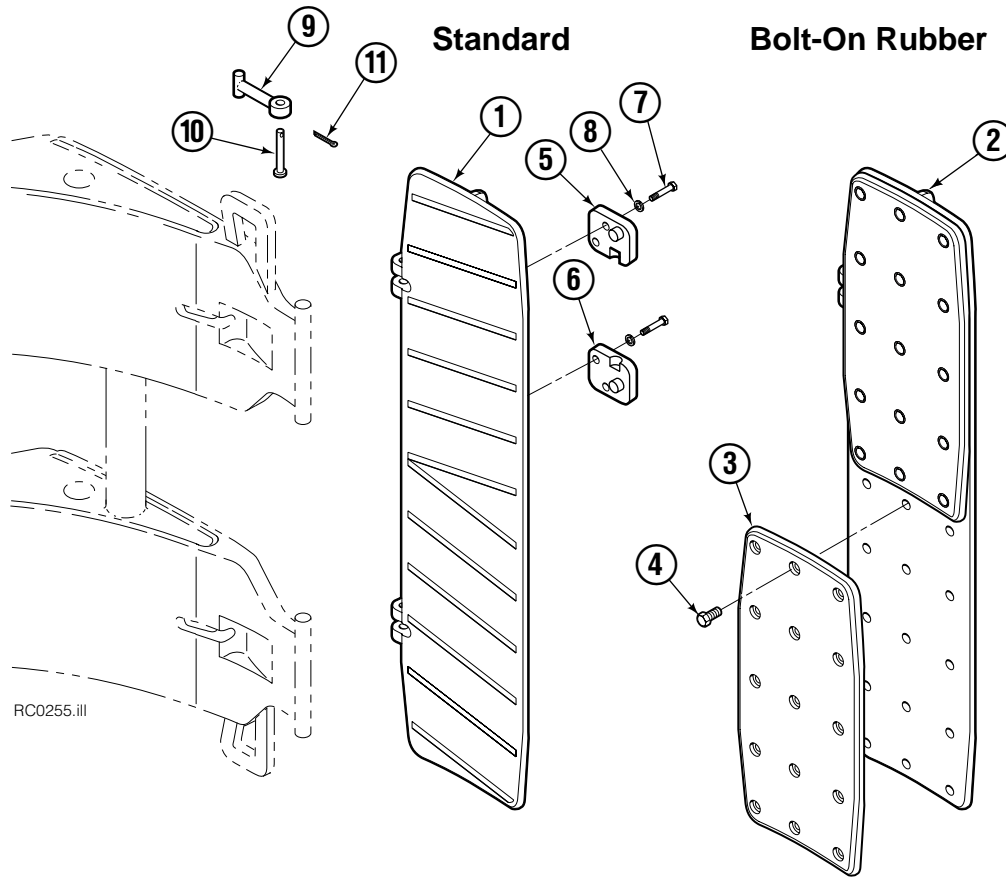
■ Maximum roll handling capacity.

Common Parts

REF	QTY	PART NO.	DESCRIPTION	REF	QTY	PART NO.	DESCRIPTION
		212933	Common Parts Group	8	8	209985	Cap
2	2	209982	Arm Pivot Pin	9	4	210080	Bearing
3	2	209983	Cylinder Pivot Pin	10	4	209986	Retaining Ring
4	2	4175-150	Cylinder Rod Pivot Pin	11	2	212382	Dowel Pin, 8x16 mm
5	8	212632	Capscrew, M10x1.5x20	12	16	209941	Shim - .062 in.
6	8	209021	Washer, M10	13	1	212903	Arm Tip Service Kit
7	8	769009	Roll Pin				

Reference: S-4171.

Pad Groups – Short Arm



RC0255.ill

60G			
REF	QTY	72 in. ■	DESCRIPTION
		PART NO.	
		209888	Standard Pad Group
		—	Bolt-On Rubber Pad Group
1	1	209898	Pad, Standard
2	1	—	Pad, Bolt-On Rubber
3	2	—	Bolt-On Rubber
4	30	—	Capscrew, M8

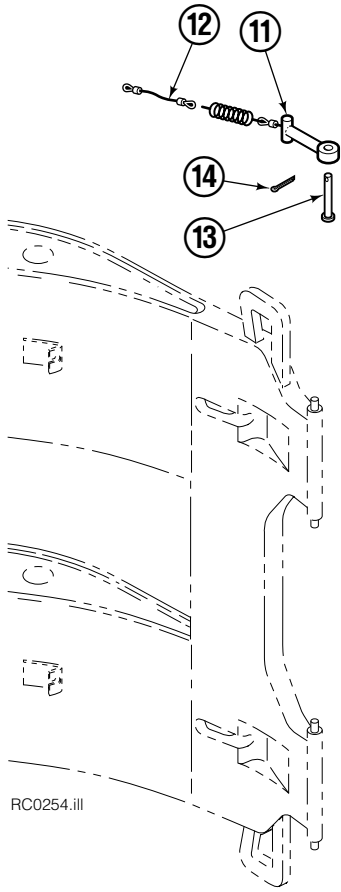
■ Maximum roll handling capacity.

Common Parts

REF	QTY	PART NO.	DESCRIPTION	REF	QTY	PART NO.	DESCRIPTION
		212935	Common Parts Group – Short Arm	8	8	681473	Lockwasher, M12
5	2	209904	Retainer, R.H. ▲	9	2	209909	Link
6	2	209905	Retainer, L.H. ▲	10	2	674265	Clevis Pin
7	8	763021	Capscrew, M12	11	2	6525	Cotter Pin

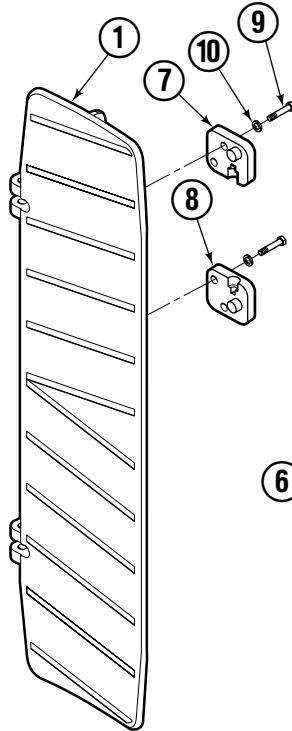
▲ Driver's view, clamp in horizontal position, Short Arm up.
Reference: S-4176, S-4177.

Pad Groups – Long Arm

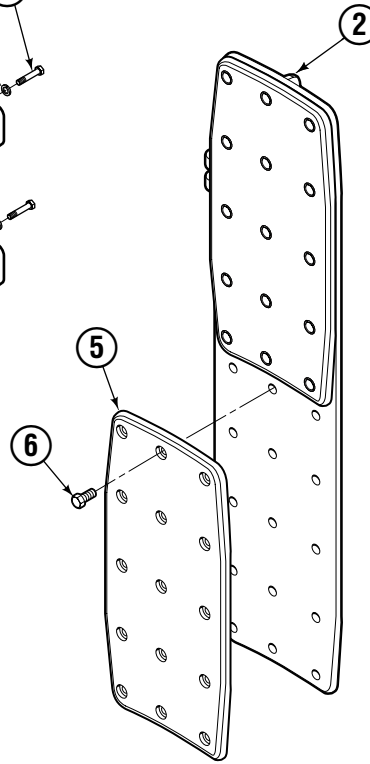


RC0254.ill

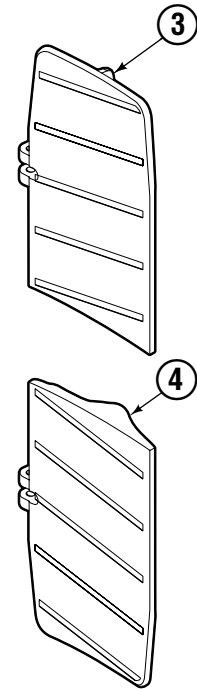
Standard



Bolt-On Rubber



Split



60G			
REF	QTY	72 in. ■ PART NO.	DESCRIPTION
		209887	Standard Pad Group
		—	Bolt-On Rubber Pad Group
		209889	Split Pad Group
1	1	209898	Pad, Standard
2	1	—	Pad, Bolt-On Rubber
3	1	213658	Pad, Split, R.H. ▲
4	1	213659	Pad, Split, L.H. ▲
5	2	—	Bolt-On Rubber
6	30	—	Capscrew, M8

■ Maximum roll handling capacity.

▲ Driver's view, clamp in horizontal position, Long Arm up.

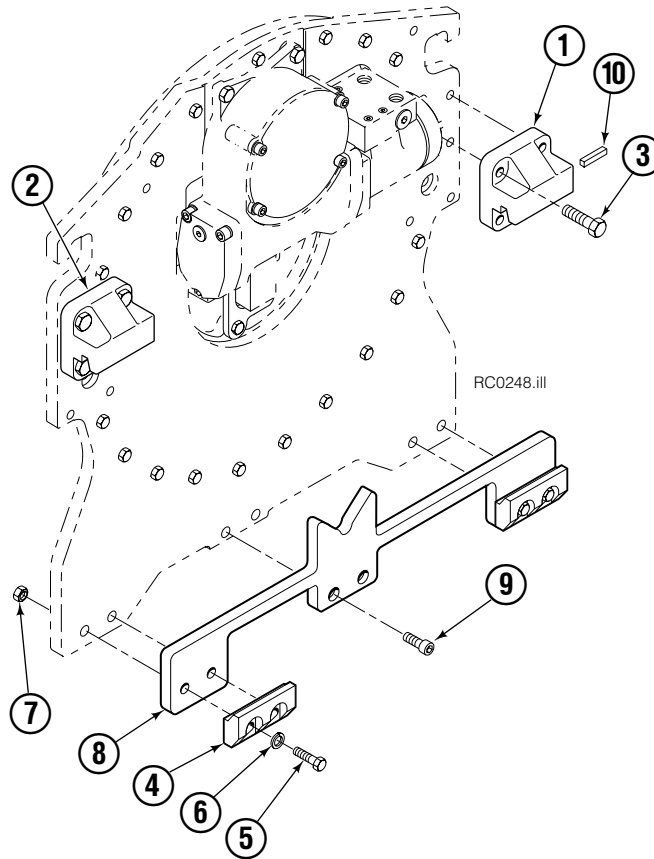
Common Parts

REF	QTY	PART NO.	DESCRIPTION	REF	QTY	PART NO.	DESCRIPTION
		212934	Common Parts Group – Long Arm		2	4182-40	Cable – 51 in. ■
7	2	211997	Retainer, R.H. ▲	12	2	4182-110	Cable – 60 in. ■
8	2	211998	Retainer, L.H. ▲		2	4182-245	Cable – 72 in. ■
9	8	763021	Capscrew, M12	13	2	674265	Clevis Pin
10	8	681473	Lockwasher, M12	14	2	6525	Cotter Pin
11	2	209916	Link Assembly				

▲ Driver's view, clamp in horizontal position, Long Arm up.

Reference: S-4176, S-4177.

Mounting Group



Class III, 2°

REF	QTY	PART NO.	DESCRIPTION
		209926	Mounting Group
1	1	209932	Upper Hook – RH
2	1	209933	Upper Hook – LH
3	4	779010	Capscrew, M16 x 35
4	2	675969	Lower Hook
5	4	678997	Capscrew, M16 x 70
6	4	667225	Washer, .625 in. I.D.
7	4	781534	Nut, M16
8	1	209936	Spacer
9	2	213771	Capscrew, M12 x 25
10	1	669344	Stop Kit

Do you have questions you need answered right now? Call your nearest Cascade Parts Department. Visit us online at www.cascorp.com

Cascade Corporation
2501 Sheridan Avenue
Springfield, OH 45505
Tel: 888-CASCADE (227-2233)
FAX: 888-329-0234

Cascade Canada Inc.
5570 Timberlea Blvd.
Mississauga, Ontario
Canada L4W-4M6
Tel: 905-629-7777
FAX: 905-629-7785

Cascade GmbH
D-41199 Monchengladbach
Klosterhofweg 52
Germany
Tel: 49-216-668230
FAX: 49-216-6682323

Cascade Finland
Albert Petreliuksenkatu 3
01370 Vantaa
Finland
Tel: 358-9-836-1925
FAX: 358-9-836-1935

**Cascade N.V.
European Headquarters**
P.O. Box 3009
1300 El Almere
Damsluisweg 56
1332 ED Almere
The Netherlands
Tel: 31-36-5492911
FAX: 31-36-5492964

**Cascade N.V.
Benelux Sales and Service**
P.O. Box 3009
1300 El Almere
Damsluisweg 56
1332 ED Almere
The Netherlands
Tel: 31-36-5492950
FAX: 31-36-5492974

Cascade (UK) Ltd.
15, Orgreave Crescent
Dore House Industrial Estate
Handsworth
Sheffield S13 9NQ
England
Tel: 742-697524
FAX: 742-695121

Cascade Scandinavia AB
Box 124
Hammarvägen 10
567 23 Vaggeryd
Sweden
Tel: 42-0-393-36950
FAX: 46-0-393-36959

Cascade Norway
Østerliveien 37A
1153 Oslo
Norway
Tel: 47-22-743160
FAX: 47-22-743157

Cascade France S.A.R.L.
1D Rue De Charaintru
BP 18, 91360 Epinay-Sur-Orge
Morangis Cedex, France
Tel: 33-1- 64547500
FAX: 33-1-64547501

Cascade Hispania S.A.
Carrer 5 Sector C
Zona Franca Duanera
Poligono de la Zon Franca
08040 Barcelona, Spain
Office No. 256
Tel: 93-264-07-30
FAX: 93-264-07-31

Cascade Japan Ltd.
5-5-41,
Torikai Kami
Settsu, Osaka
Japan, 566
Tel: 81-726-53-3490
FAX: 81-726-53-3497

Cascade Korea
108B, Namdong Ind Complex
658-3 Gojan-Dong
Namdong-Gu
Inchon, 405-310 Korea
Tel: 82-32-821-2051
FAX: 82-32-821-2055

Cascade Australia
1445 Ipswich Road
Rocklea, QLD 4106
Australia
Tel: 1-800227-223
FAX: (07) 3373-7333

Cascade New Zealand
15 Ra Ora Drive
East Tamaki, Auckland
New Zealand
Tel: 9-273-9136
FAX: 9-273-9137

Cascade (Africa) Pty. Ltd.
P.O. Box 625, Isando 1600
60A Steel Road
Sparton, Kempton Park
South Africa
Tel: 27-11-975-9240
FAX: 27-11-394-1147

Cascade-Xiamen
No. 668 Yangguang Rd.
Xinyang Industrial Zone
Haicang, Xiamen City
Fujian Province
P.R. China 361026
Tel: 86-592-651-2500
FAX: 86-592-651-2571

**Cascade (Singapore)
Trading Co.**
Four Seasons Park
Autumn Block - Apt. 1802
12 Cuscaden Walk
Singapore
Tel: 65-834-1935
FAX: 65-834-1936

