



# Parts Manual

---

Model \_\_\_\_\_ **Paper Roll Clamp**

Serial Number \_\_\_\_\_ **72G-RDP-108**

---

**cascade**<sup>®</sup>

**For Technical Assistance call:** 800-227-2233, Fax: 888-329-8207

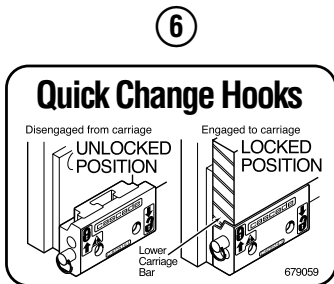
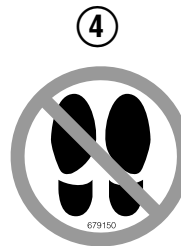
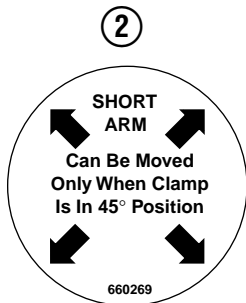
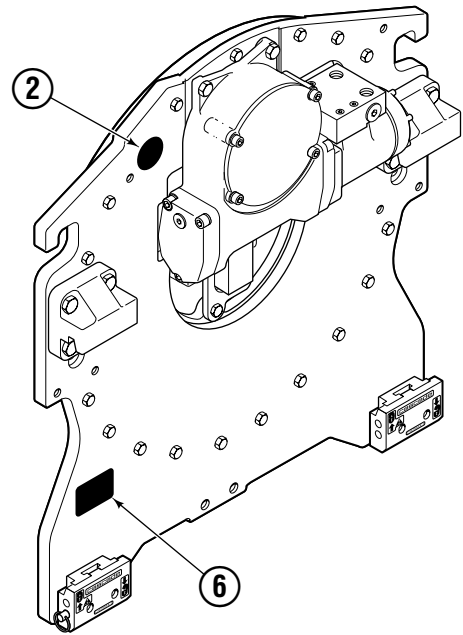
**To Order Parts call:** 888-227-2233, Fax: 888-329-0234

**OR**

**Write:** Cascade Corporation, P.O. Box 20187, Portland, OR 97220

**Internet:** [www.cascorp.com](http://www.cascorp.com)

# Decals



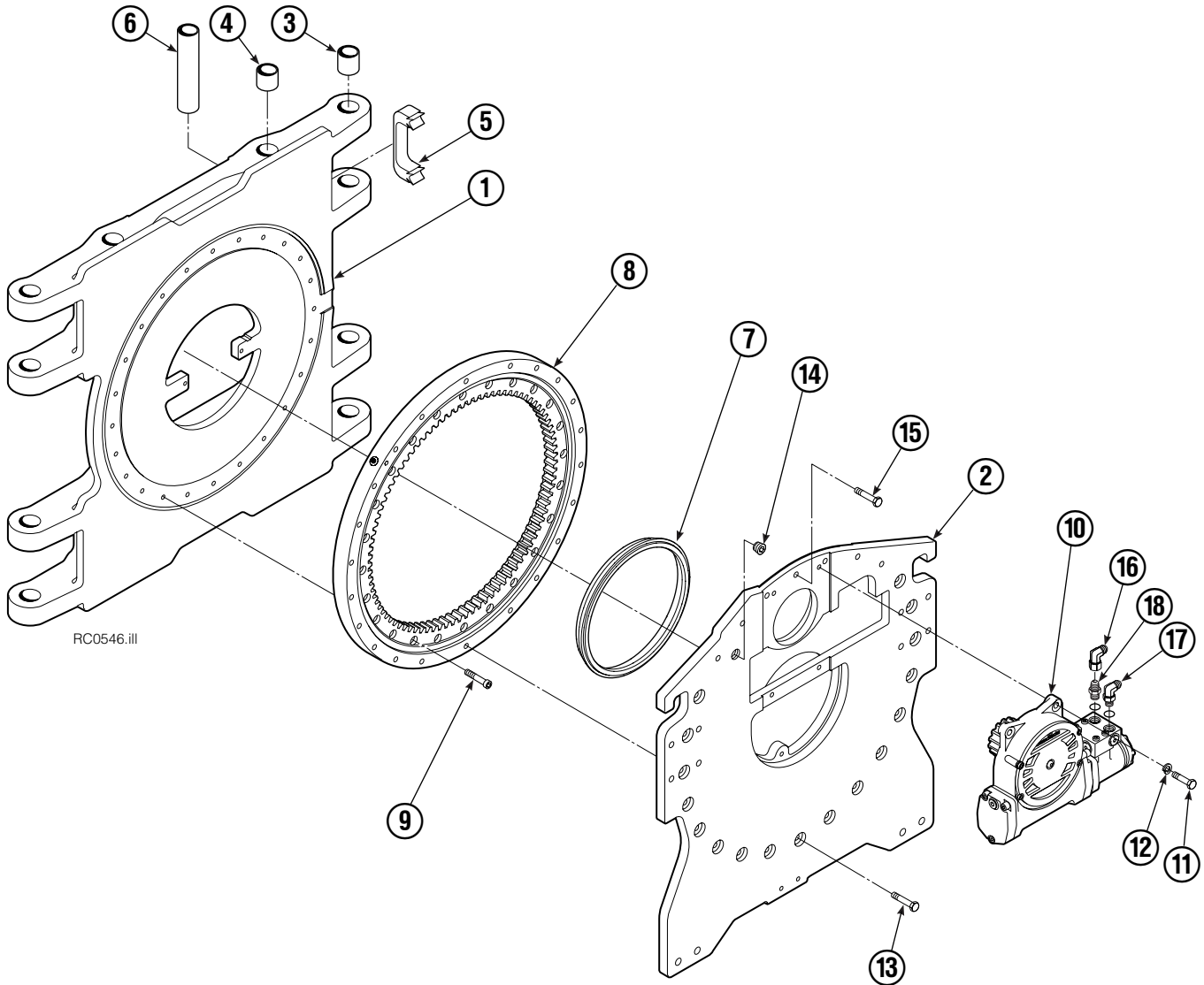
60G			
REF	QTY	PART NO.	DESCRIPTION
1	6	665595	No Hand Hold Decal
2	1	660269	Short Arm Rotation Position Decal
3	4	656038	Caution Decal
4	4	679150	No Step Decal
5	4	665677	Trapped Pressure Decal
6	1	679059	Quick-Change Hook Decal

# Publications



60G	
PART NO.	DESCRIPTION
213550	Parts Manual
213744	Service Manual
210135	Operator's Guide
212420	Installation Instructions - Fixed Frame
677555	Driver Training Video - VHS
678363	Troubleshooting Video - VHS
680664	Servicing Cascade Cylinders - VHS
679929	Tool Catalog
673964	Literature Index Order Form

# Frame Group



## 72G

REF	QTY	PART NO.	DESCRIPTION	REF	QTY	PART NO.	DESCRIPTION
		221780	Frame Group – 60 in. ▲	12	4	683822	Lockwasher, M12
1	1	221767	Frame – 60 in. ▲	13	17	643538	Capscrew, .5 x 1.5
2	1	399046	Baseplate	14	1	6605	Fitting, 3/4 in.
3	8	211718	Bearing	15	7	643539	Capscrew, .5 x 1.75
4	8	211717	Bearing	16	1	605761	Fitting, 8-8 SAE
5	4	211712	Hose Guard	17	1	601250	Fitting, 8-8 SAE
6	4	209987	Spacer	18	1	601377	Fitting, 8-8 SAE
7	1	209944	Seal			—	Bearing Service Kit (items 3, 4, 6)
8	1	672830	Bearing Assembly			—	Pin Service Kit (items 4, 6)
9	24	4507	Capscrew, .5 x 1.75			—	Pin Service Kit (items 3)
10	1	795492	Drive Group – 2.8 c.i. Motor ●			685842	Bearing Service Kit (items 8,9,12,13,15)
11	4	211689	Capscrew, M12 x 30			669344	Stop Block Kit

▲ Maximum roll handling capacity.

● See Drive Group page for parts breakdown.

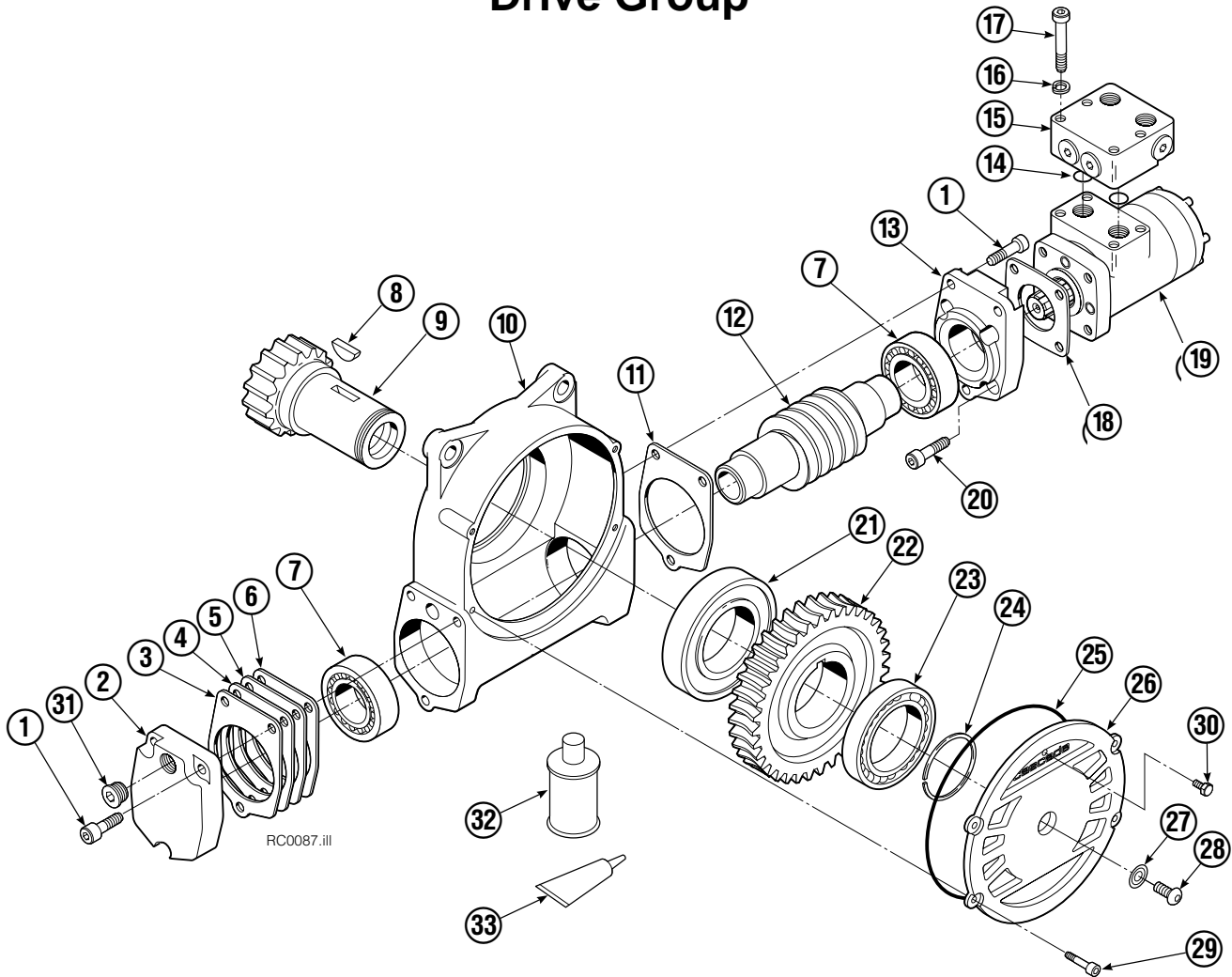
Reference: S-4165, S-4188, S-4650, S-4733.

Reference: Common Parts Groups 211975, 399052.

Baseplate Group 399284.

Fitting Group 212367.

# Drive Group



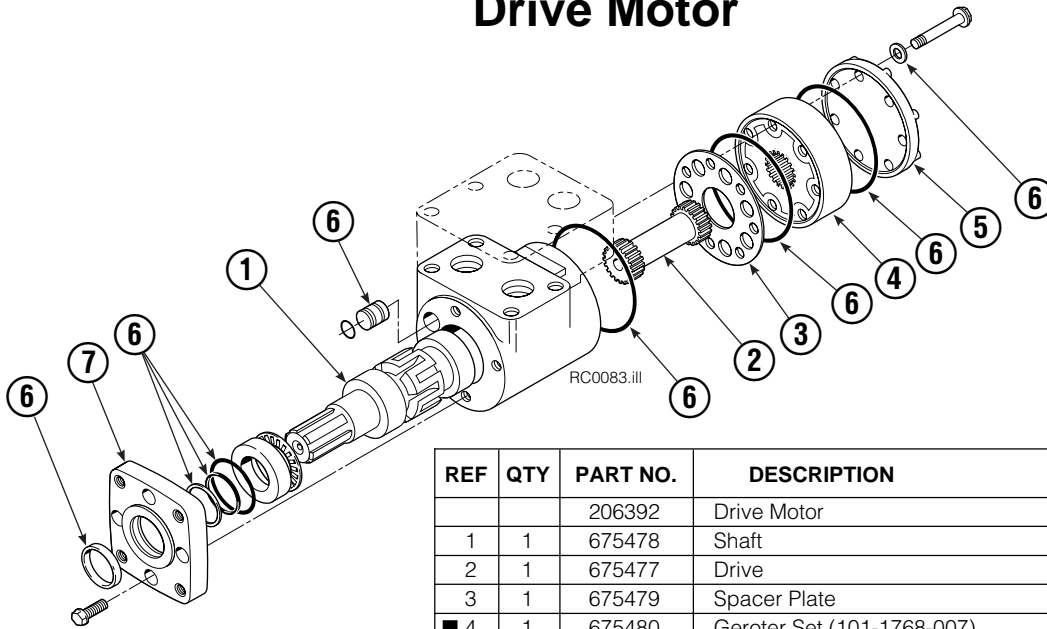
REF	QTY	PART NO.	DESCRIPTION	REF	QTY	PART NO.	DESCRIPTION
		795492	Drive Group with 2.8 c.i. Motor	19	1	206392	Drive Motor – 2.8 c.i. ■
1	6	769570	Capscrew, M12 x 25	20	4	4468	Capscrew, 3/8 NC x .75 GR8
2	1	676855	Cover	21	1	670580	Bearing
3	●	674513	Shim – .005" (blue)	22	1	675609	Worm Gear
4	●	670574	Shim – .010" (brown)	23	1	670581	Bearing
5	●	671757	Shim – .015" (pink)	24	1	7214	Snap Ring
6	●	671758	Shim – .020" (yellow)	25	1	643423	O-Ring
7	2	670579	Bearing	26	1	775552	Cover
8	1	670582	Key	27	1	783609	Seal
9	1	670556	Pinion	28	1	783608	Capscrew, M10 x 16
10	1	775551	Housing	29	4	200882	Capscrew, M8 x 20
11	1	686465	Gasket	30	1	644010	Relief Fitting
12	1	675608	Worm	31	1	604510	Fitting, 6
13	1	775553	Adapter	32	1	656300	Gear Box Lube – 48 oz.
14	2	2705	O-Ring	33	1	668184	Sealant
15	1	670549	Check Valve ▲			670578	Shim Service Kit (items 3-6,25,33)
16	4	6444	Lockwasher			675637	Bearing Service Kit (items 21 & 33)
17	4	607059	Capscrew, 5/16 NC x 1.75 GR8			675638	Bearing Service Kit (items 3-7,25)
18	1	670575	Gasket			685227	Motor Kit-4.5 (items 4,14,18)

● Quantity as required.

■ See Drive Motor page for parts breakdown.

▲ See Check Valve page for parts breakdown.

# Drive Motor

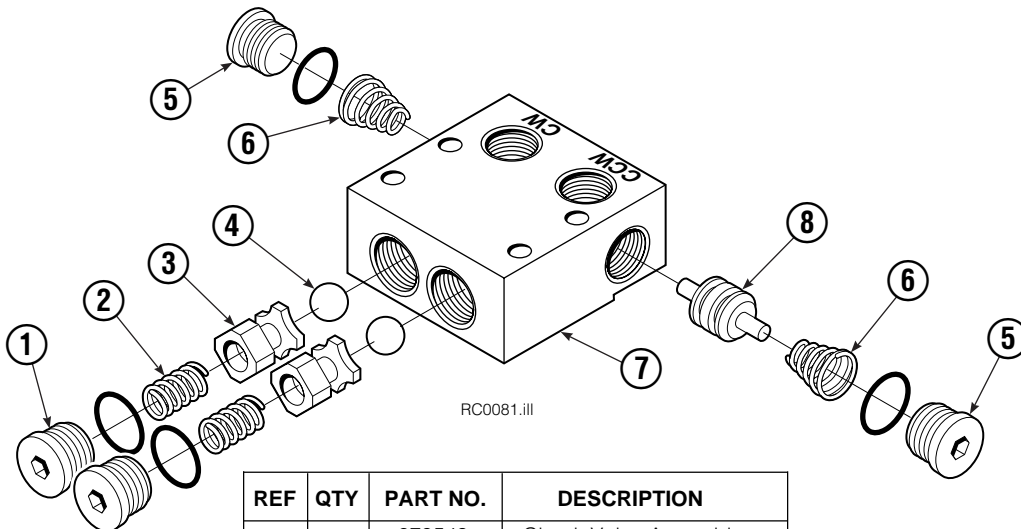


REF	QTY	PART NO.	DESCRIPTION
		206392	Drive Motor
1	1	675478	Shaft
2	1	675477	Drive
3	1	675479	Spacer Plate
■ 4	1	675480	Gerotor Set (101-1768-007)
■ 4	1	685075	Gerotor Set (101-1768-009)
5	1	675482	End Cap
● 6	1	206405	Service Kit
■ 7	1	685089	Flange (101-1768-007)
■ 7	1	685090	Flange (101-1768-009)

Cascade provides service replacement parts for the listed parts only. Due to cost, if others parts need replacement, the complete drive motor should be replaced.

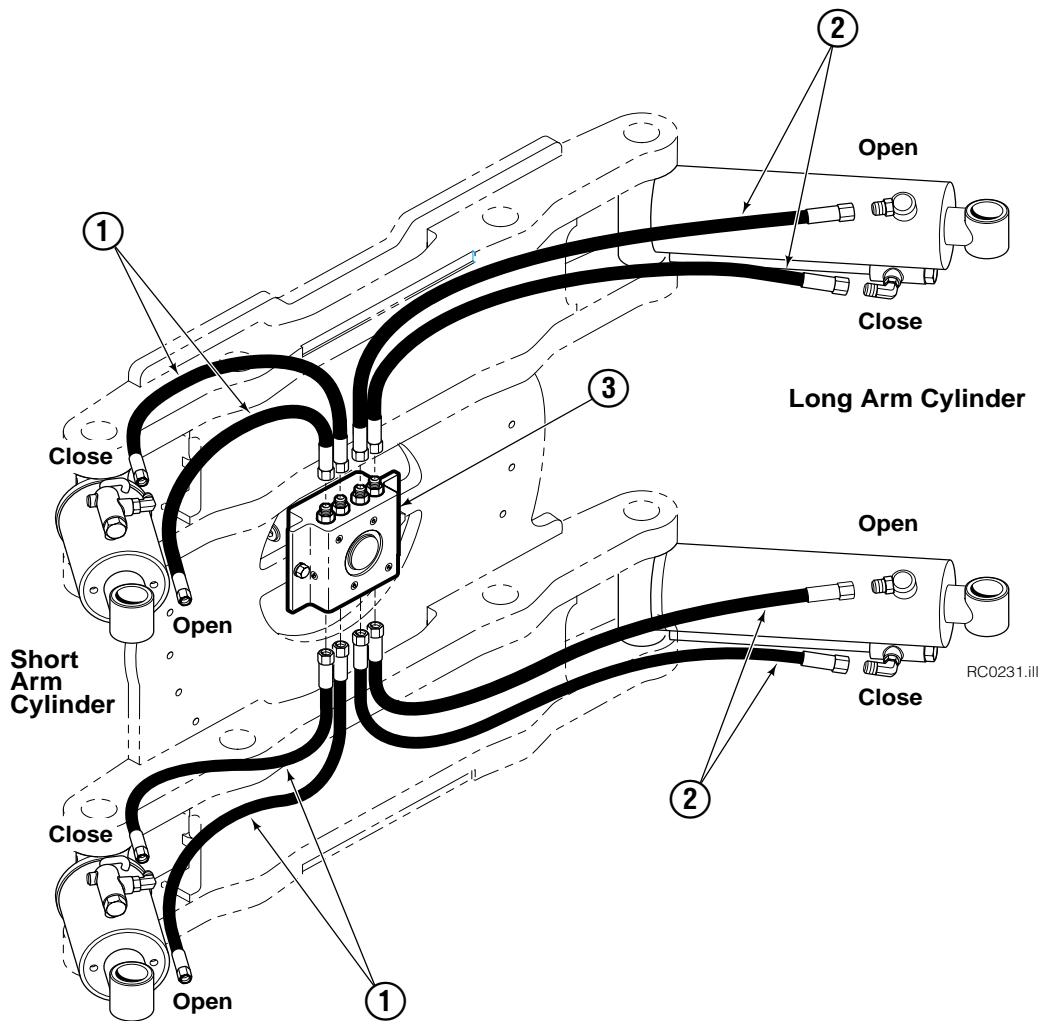
- See Nameplate under valve for correct part number of Gerotor Set and Flange.
- Compatible with water glycol based hydraulic fluids.

# Check Valve



REF	QTY	PART NO.	DESCRIPTION
		670549	Check Valve Assembly
1	2	609453	Fitting, 10
2	2	670552	Spring
3	2	670551	Guide
4	2	7020	Ball
5	2	602580	Fitting, 8
6	2	673989	Spring
7	1	670550	Body
8	1	670553	Spool

# Hosing Group Positioned Short Arm



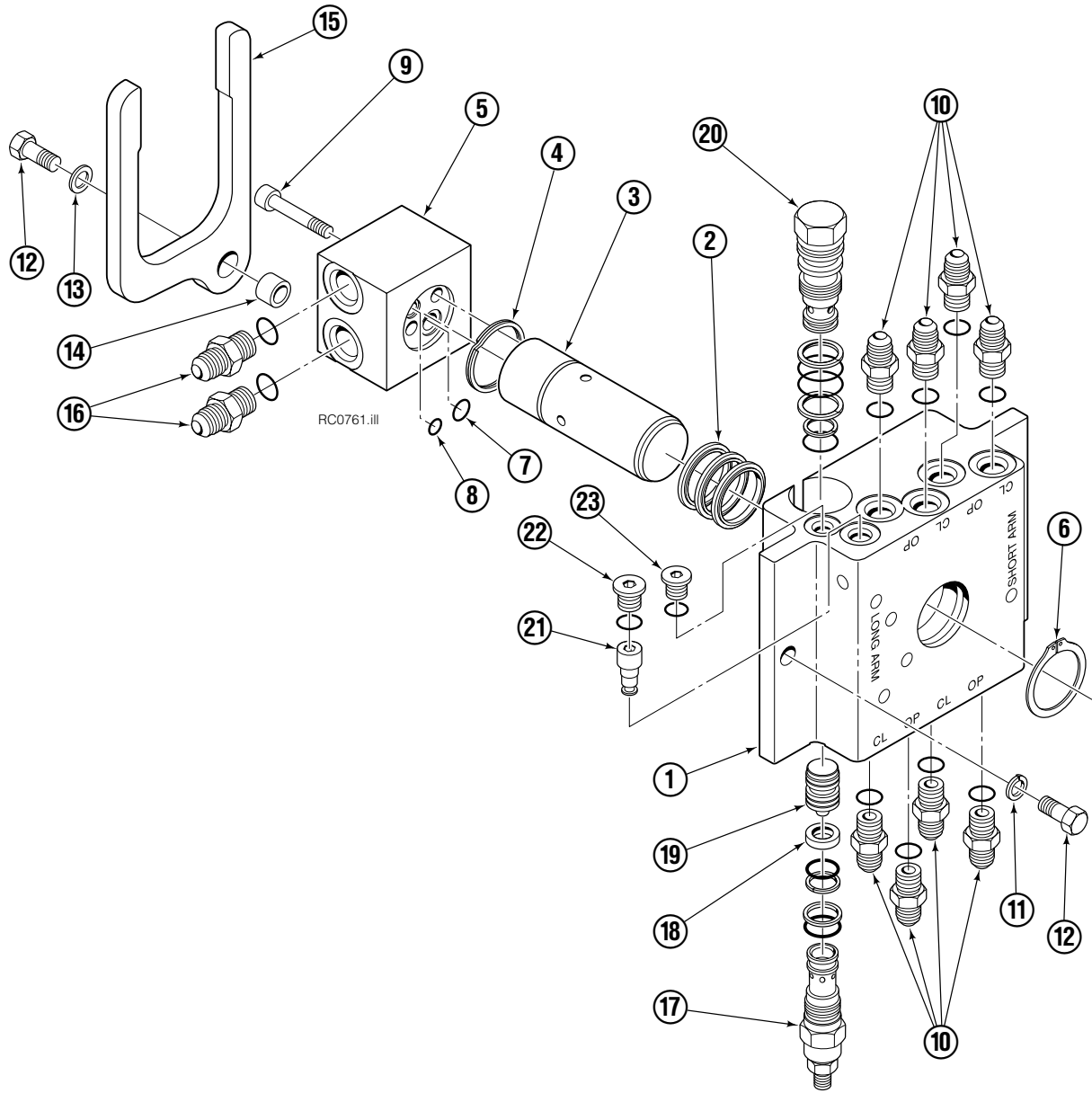
72G			
REF	QTY	60 in. ■	DESCRIPTION
		PART NO.	
		221781	Hose Group
1	4	675084	Hose, 25.75 in.
2	4	210022	Hose, 35.5 in.
3	1	▲	Revolving Connection

■ Maximum roll handling capacity.

▲ See Revolving Connection page for part number.

Reference: S-4193, S-4194.

# Revolving Connection Split Long Arm / Fixed Frame

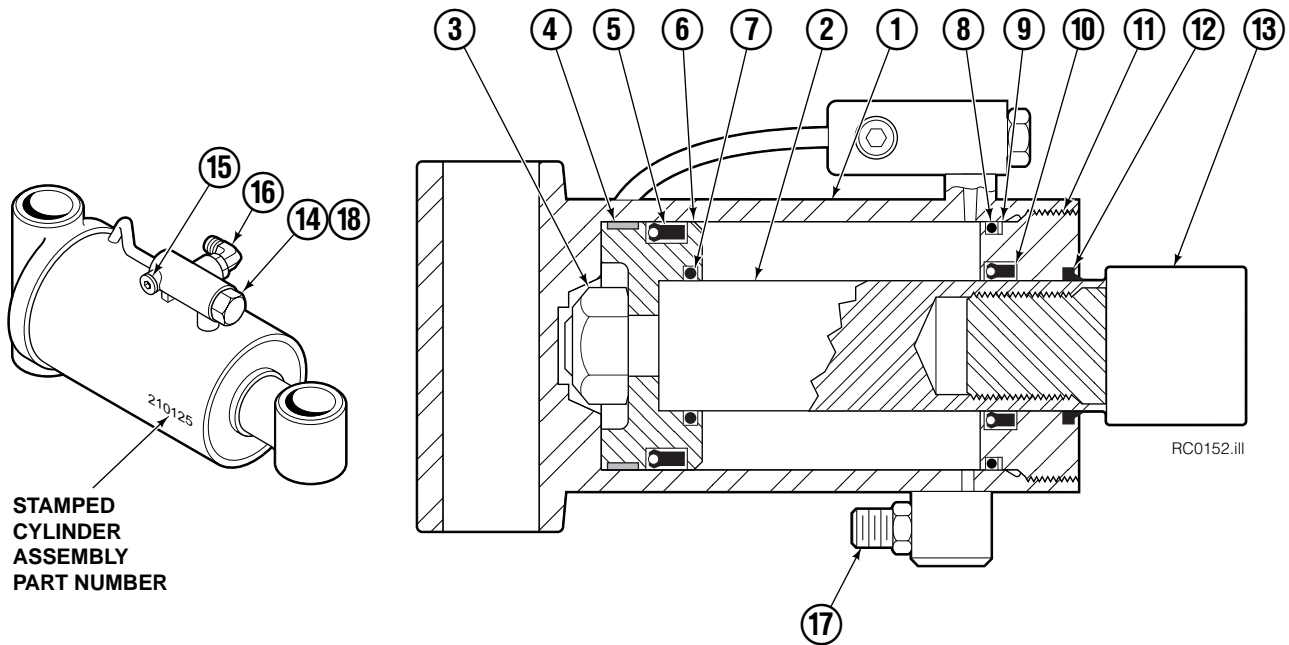


66G							
REF	QTY	PART NO.	DESCRIPTION	REF	QTY	PART NO.	DESCRIPTION
		227417	Rev. Connection – Pos. Short Arm	12	3	215480	Capscrew, M10 x 25
1	1	227317	Body	13	1	209021	Washer, M10
2	3	214649	Seal ◆	14	1	212725	Spacer
3	1	227418	Shaft	15	1	211909	End Block Retainer
4	1	7341	Retaining Ring ◆	16	2	601377	Fitting, 8-8
5	1	227316	End Block	17	1	227331	Sequence Valve
6	1	3138	Retaining Ring ◆	18	1	227318	Quad Ring ◆
7	1	564448	O-ring ◆	19	1	227313	Spool
8	1	684587	O-ring ◆	20	1	227330	Flow Divider Cartridge
9	2	766123	Capscrew, M8 x 50 ◆	21	1	220865	Shuttle Check
10	8	604511	Fitting, 6-6	22	1	609234	Fitting
11	2	681238	Lockwasher, M10	23	1	663694	Fitting

Reference: SK-6114, S-4163.  
Fitting Group 212367.

◆ Included in Seal Kit 227665.

# Short Arm Cylinder



72G							
REF	QTY	51 in. ■	55 in. ■	60 in. ■	63 in. ■	72 in. ■	DESCRIPTION
		PART NO.	PART NO.	PART NO.	PART NO.	PART NO.	
		213639	213635	<b>213641</b>	213637	213643	Cylinder Assembly
1	1	4195-179	4195-189	4195-194	4195-195	4195-190	Shell
2	1	4130-163	4130-174	4130-200	4130-245	4130-335	Rod

■ Maximum roll handling capacity.

## Common Parts

REF	QTY	PART NO.	DESCRIPTION	REF	QTY	PART NO.	DESCRIPTION
3	1	560997	Nut	12	1	564443	Wiper ▲
4	1	211295	Wear Ring ▲	13	1	209764	Rod End
5	1	564902	Seal ▲	14	1	659058	Check Valve
6	1	211292	Piston	15	1	609234	Fitting, 4
7	1	210087	O-Ring ▲	16	1	601676	Fitting, 6-6
8	1	564445	O-Ring ▲	17	1	604511	Fitting, 6-6
9	1	564446	Back-Up Ring ▲	18	1	667516	Check Valve Service Kit
10	1	564442	Seal ▲			210133	Cylinder Service Kit
11	1	209763	Retainer				

▲ Included in Service Kit 210133.

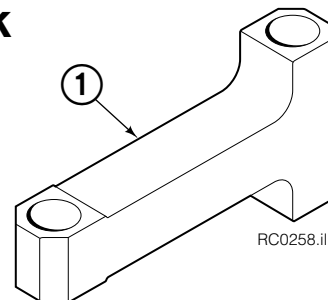
Reference: S-4195, LS-4454, S-4460.

# Short Arm Link

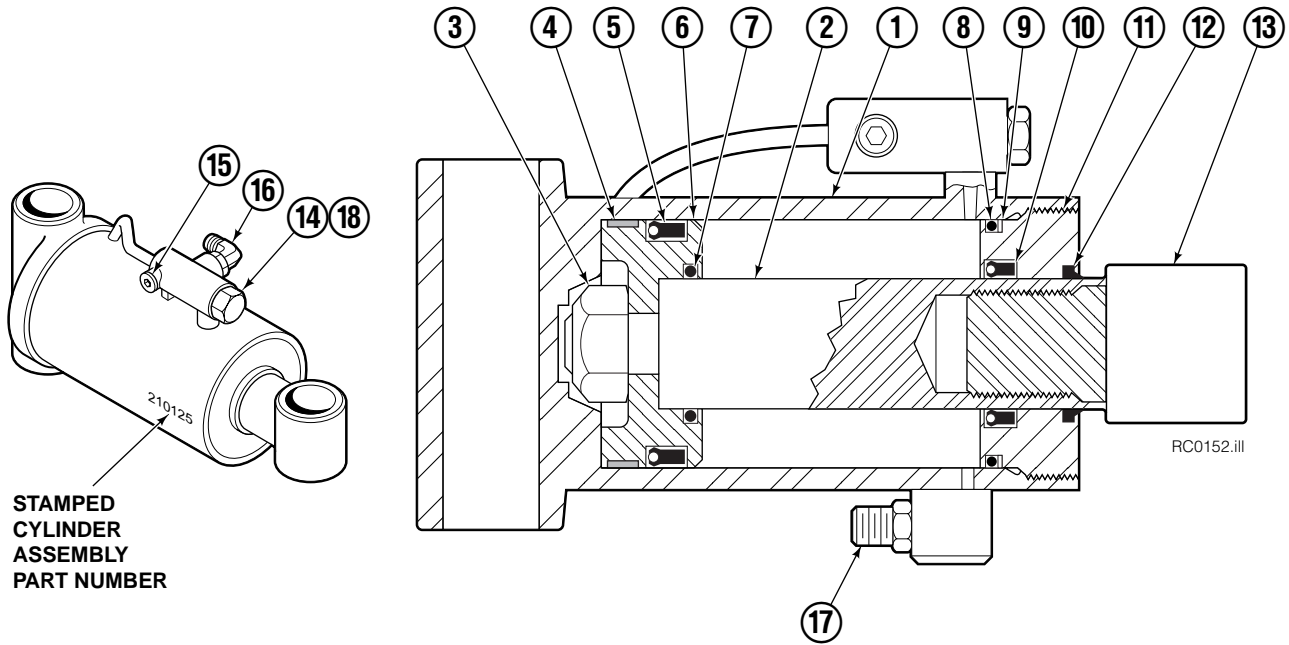
72G			
REF	QTY	PART NO.	DESCRIPTION
1	2	213954	Link – 51 in. ■
	2	213955	Link – 55 in. ■
	2	213956	Link – 60 in. ■
	2	213957	Link – 63 in. ■
	2	210145	Link – 72 in. ■

■ Maximum roll handling capacity.

Reference: S-4196, S-4203.



# Long Arm Cylinder



72G							DESCRIPTION
REF	QTY	51 in. ■ PART NO.	55 in. ■ PART NO.	60 in. ■ PART NO.	63 in. ■ PART NO.	72 in. ■ PART NO.	
		213638	213634	213640	<b>213636</b>	213642	Cylinder Assembly
1	1	4195-358	4195-376	4195-395	4195-422	4195-410	Shell
2	1	4130-348	4130-379	4130-390	4130-420	4130-500	Rod

■ Maximum roll handling capacity.

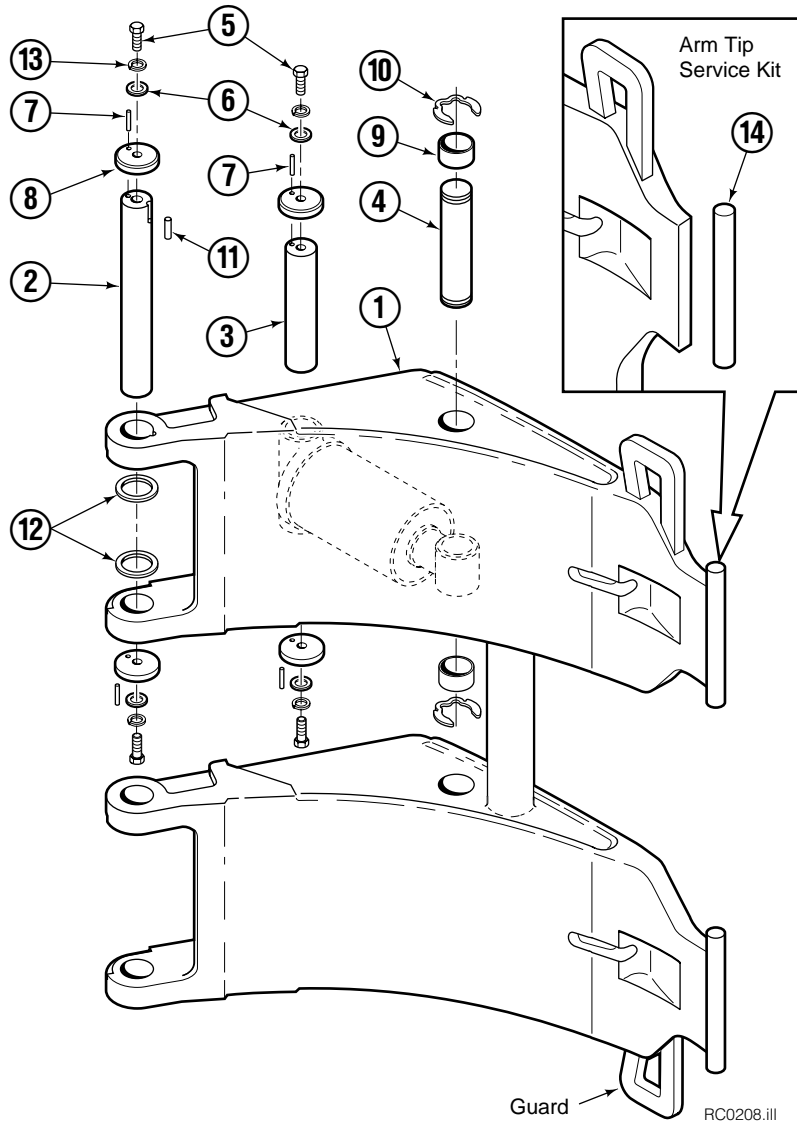
## Common Parts

REF	QTY	PART NO.	DESCRIPTION	REF	QTY	PART NO.	DESCRIPTION
3	1	560997	Nut	12	1	564443	Wiper ▲
4	1	211295	Wear Ring ▲	13	1	209764	Rod End
5	1	564902	Seal ▲	14	1	659058	Check Valve
6	1	211292	Piston	15	1	609234	Fitting, 4
7	1	210087	O-Ring ▲	16	1	601676	Fitting, 6-6
8	1	564445	O-Ring ▲	17	1	604511	Fitting, 6-6
9	1	564446	Back-Up Ring ▲	18	1	667516	Check Valve Service Kit
10	1	564442	Seal ▲			210133	Cylinder Service Kit
11	1	209763	Retainer				

▲ Included in Service Kit 210133.

Reference: S-4195, LS-4454, S-4460.

# Short Arm



72G			
REF	QTY	60 in. ■	DESCRIPTION
		PART NO.	
		221783	Arm Group w/o Guard
1	1	221784	Short Arm w/o Guard

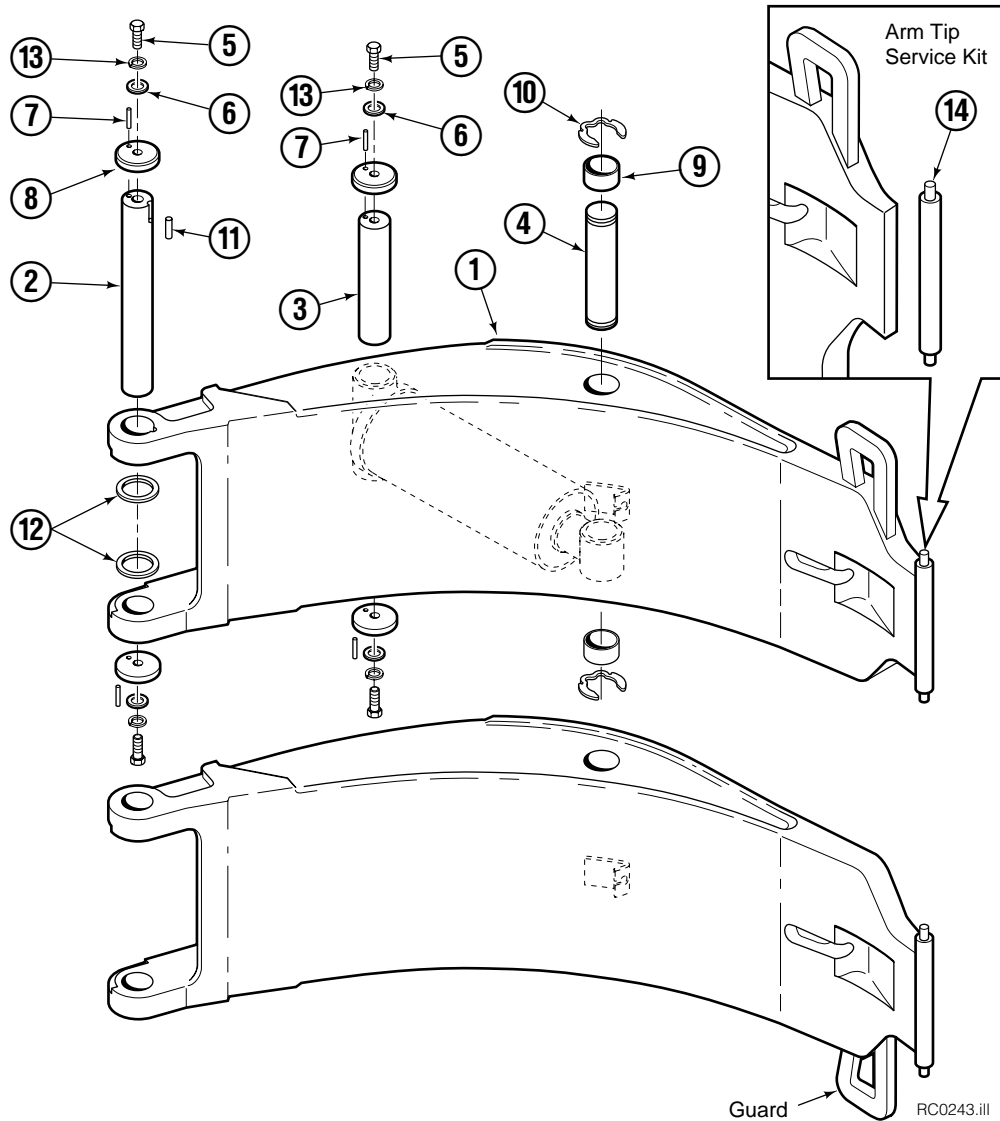
■ Maximum roll handling capacity.

## Common Parts

REF	QTY	PART NO.	DESCRIPTION	REF	QTY	PART NO.	DESCRIPTION
		212933	Common Parts Group	11	2	212382	Dowel Pin, 8x16 mm
2	2	209982	Arm Pivot Pin	12	16	209941	Shim - .062 in.
3	2	209983	Cylinder Pivot Pin	13	8	681238	Lockwasher
4	2	4175-150	Cylinder Rod Pivot Pin	14	1	212902	Arm Tip Service Kit
5	8	215480	Capscrew, M10x1.5x25			212905	Bearing Service Kit (items 9, 10)
6	8	209021	Washer, M10			212906	Pin Service Kit (items 2-8, 10-13)
7	8	769009	Roll Pin			212907	Pin Service Kit (items 2, 5-8, 11, 13)
8	8	209985	Cap			212908	Pin Service Kit (items 3, 5-8)
9	4	210080	Bearing			212909	Pin Service Kit (items 4, 9, 10)
10	4	209986	Retaining Ring				

Reference: S-4172, S-4173.

# Split Long Arm



72G			
REF	QTY	60 in. ■	DESCRIPTION
		PART NO.	
		6001032	Long Arm Group
1	2	6000945	Long Arm w/o Guard

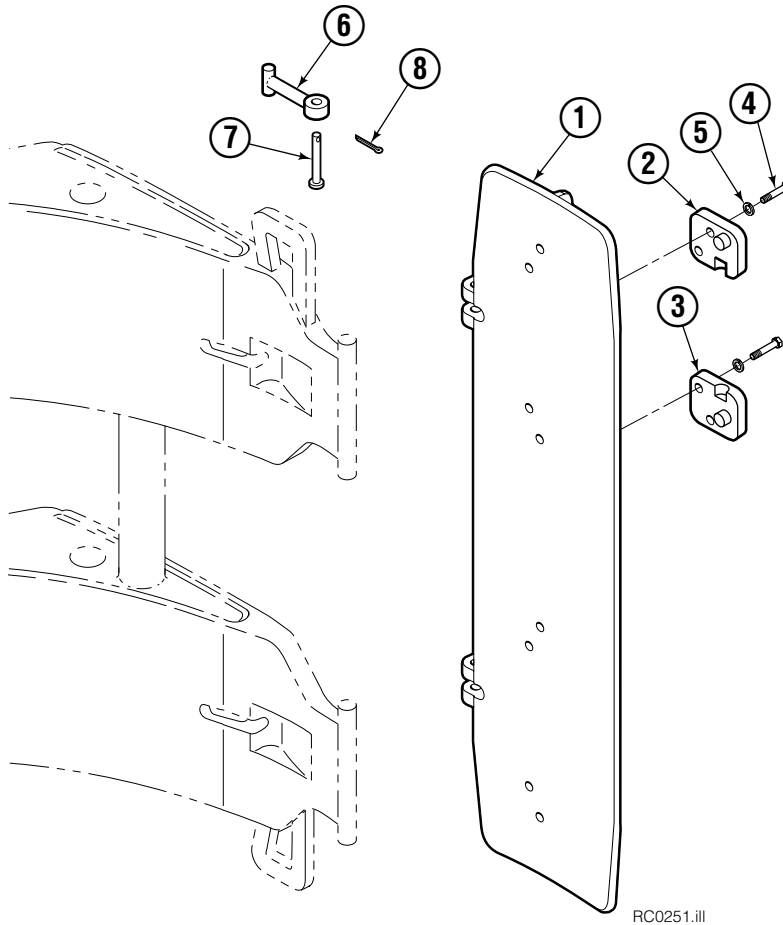
■ Maximum roll handling capacity.

## Common Parts

REF	QTY	PART NO.	DESCRIPTION	REF	QTY	PART NO.	DESCRIPTION
		212933	Common Parts Group	8	8	209985	Cap
2	2	209982	Arm Pivot Pin	9	4	210080	Bearing
3	2	209983	Cylinder Pivot Pin	10	4	209986	Retaining Ring
4	2	4175-150	Cylinder Rod Pivot Pin	11	2	212382	Dowel Pin, 8x16 mm
5	8	212632	Capscrew, M10x1,5x20	12	16	209941	Shim - .062 in.
6	8	209021	Washer, M10	13	1	212903	Arm Tip Service Kit
7	8	769009	Roll Pin				

Reference: S-4171.

# Pad Group – Short Arm



RC0251.iii

72G			
REF	QTY	60 in. ■	DESCRIPTION
		PART NO.	
		209883	Standard Pad Group
1	1	209895	Pad, Standard

■ Maximum roll handling capacity.

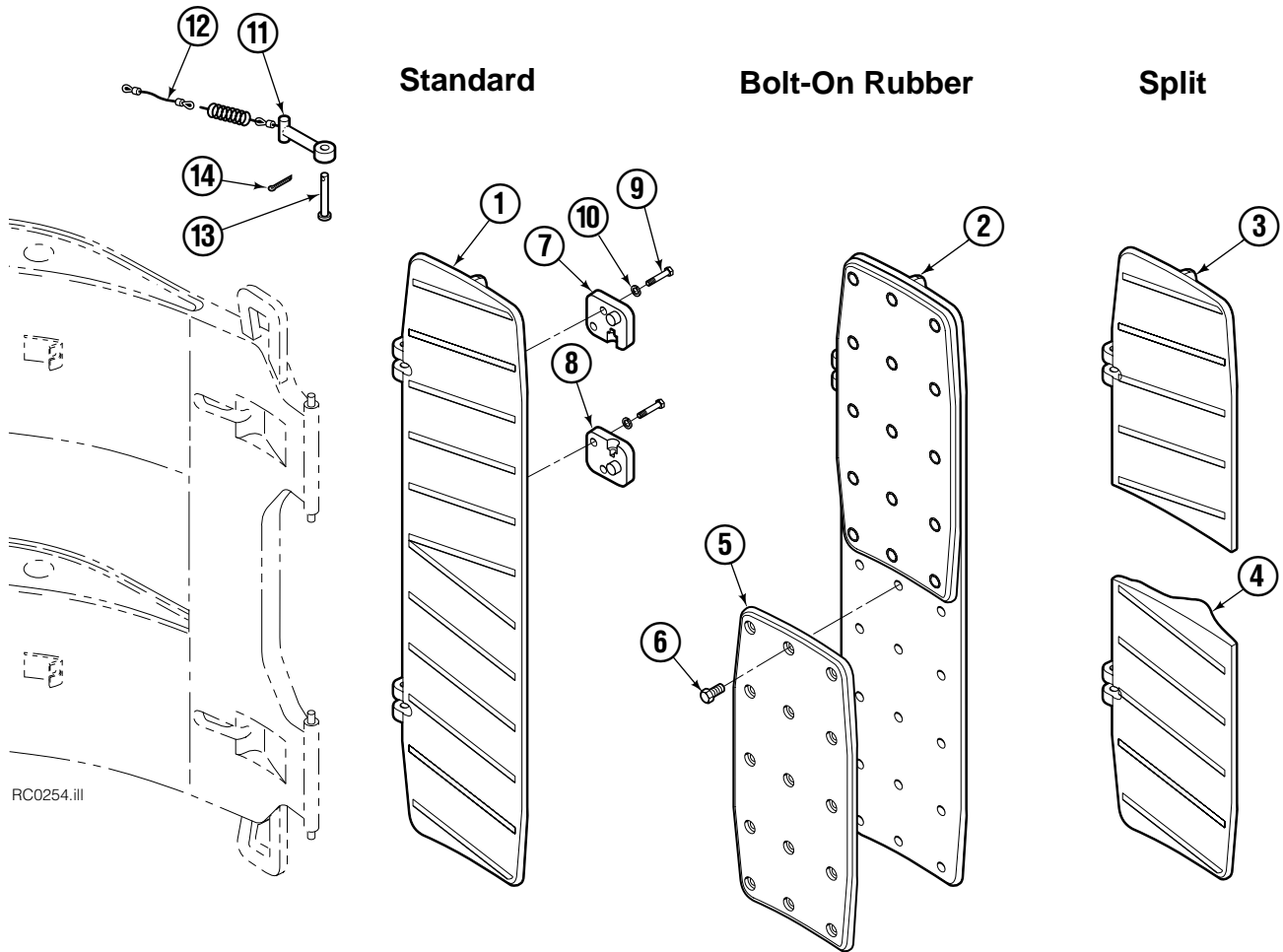
## Common Parts

REF	QTY	PART NO.	DESCRIPTION	REF	QTY	PART NO.	DESCRIPTION
		212935	Common Parts Group – Short Arm	5	8	681473	Lockwasher, M12
2	2	209904	Retainer – RH ▲	6	2	209909	Link
3	2	209905	Retainer – LH ▲	7	2	674265	Clevis Pin
4	8	763021	Capscrew, M12 x 30	8	2	6525	Cotter Pin

▲ Driver's view, clamp in horizontal position, Short Arm up.

Reference: S-4176, S-4177.

# Pad Groups – Long Arm



72G			
REF	QTY	60 in. ■ PART NO.	DESCRIPTION
		209884	Split Pad Group
3	1	213652	Pad, Split – RH ▲
4	1	213653	Pad, Split – LH ▲

■ Maximum roll handling capacity.

▲ Driver's view, clamp in horizontal position, Long Arm up.

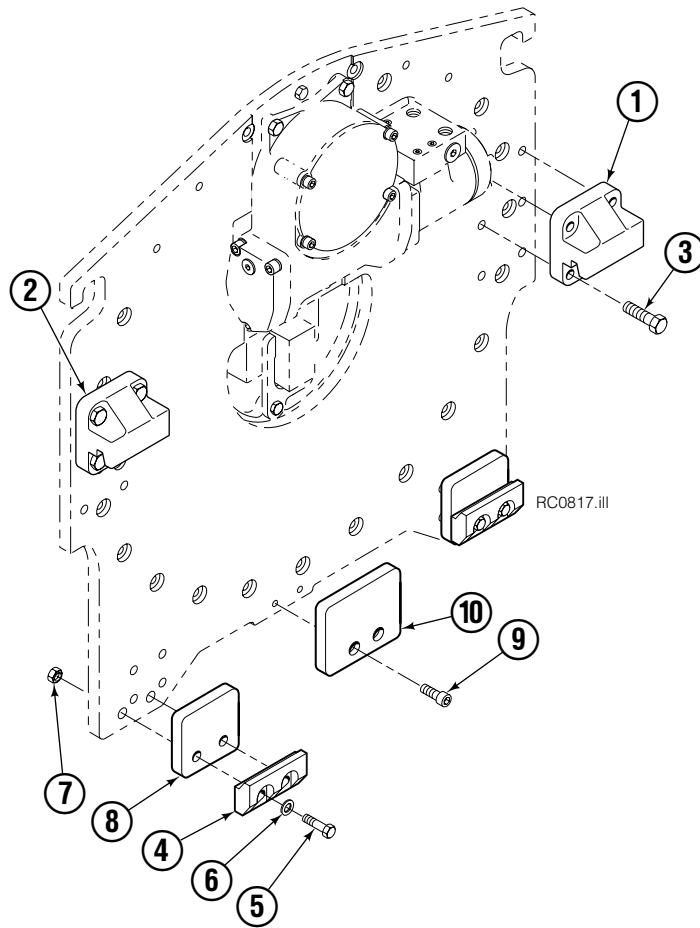
## Common Parts

REF	QTY	PART NO.	DESCRIPTION	REF	QTY	PART NO.	DESCRIPTION
		212934	Common Parts Group – Long Arm		2	4182-40	Cable – 51 in. ■
8	2	211997	Retainer – RH ▲	13	2	4182-110	Cable – 60 in. ■
9	2	211998	Retainer – LH ▲		2	4182-245	Cable – 72 in. ■
10	8	767810	Capscrew, M12 x 25		14	2	674265
11	8	681473	Lockwasher, M12	15	2	6525	Cotter Pin
12	2	209916	Link Assembly				

▲ Driver's view, clamp in horizontal position, Long Arm up.

Reference: S-4176, S-4177.

# Mounting Group



72G			
REF	QTY	PART NO.	DESCRIPTION
		221779	Mounting Group
1	1	209932	Upper Hook – RH
2	1	209933	Upper Hook – LH
3	8	779010	Capscrew, M16 x 35
4	2	675969	Lower Hook
5	4	210005	Capscrew, M16 x 90
6	4	667225	Washer, .625
7	4	781534	Nut, M16
8	2	221772	Spacer
9	2	788377	Capscrew, M12 x 45
10	1	221774	Center Spacer

Reference: S-10476.

**Do you have questions you need answered right now?** Call your nearest Cascade Parts Department.

**Cascade Corporation**  
2501 Sheridan Avenue  
Springfield, OH 45505  
Tel: 888-CASCADE (227-2233)  
FAX: 888-329-0234  
www.cascorp.com

**Cascade Canada Inc.**  
5570 Timberlea Blvd.  
Mississauga, Ontario  
Canada L4W-4M6  
Tel: 905-629-7777  
FAX: 905-629-7785

**Cascade GmbH**  
D-41199 Monchengladbach  
Klosterhofweg 52  
Germany  
Tel: 21-66-602091  
FAX: 21-66-680947

**Cascade Finland**  
01370 Vantas  
Finland  
Tel: 358-0-836-1925  
FAX: 358-0-836-1935

**Cascade N.V.  
European Headquarters**  
P.O. Box 3009  
1300 El Almere  
Damsluisweg 56  
1332 ED Almere  
The Netherlands  
Tel: 31-36-5492911  
FAX: 31-36-5492964

**Cascade N.V.  
Benelux Sales and Service**  
P.O. Box 3009  
1300 El Almere  
Damsluisweg 56  
1332 ED Almere  
The Netherlands  
Tel: 31-36-5492950  
FAX: 31-36-5492974

**Cascade (UK) Ltd.**  
15, Orgreave Crescent  
Dore House Industrial Estate  
Handsworth  
Sheffield S13 9NQ  
England  
Tel: 742-697524  
FAX: 742-695121

**Cascade Scandinavia  
Hydraulik A.B.**  
Muskötgatan 19, E8-9  
S25466 Helsingborg  
Sweden  
Tel: 42-151135  
FAX: 42-152997

**Cascade Norway**  
Østerliveien 37A  
1153 Oslo  
Norway  
Tel: 47-22-743160  
FAX: 47-22-743157

**Cascade France S.A.R.L.**  
11, Rue Jean Charcot  
Zone Industrielle Sud or  
B.P. 22  
91421 Morangis Cedex  
France  
Tel: 1- 64547501  
FAX: 1-9790584

**Cascade Hispania S.A.**  
Avenida De La Fabregada, 7  
Hospitalet De Llobregat  
Barcelona  
Spain  
Tel: 3-335-5158  
FAX: 3-335-4756

**Cascade Japan Ltd.**  
5-5-41,  
Torikai Kami  
Settsu, Osaka  
Japan, 566  
Tel: 81-726-53-3490  
FAX: 81-726-53-3497

**Cascade Korea**  
Room 508, Pum Yang Bldg.  
750-14, Bang Bac-Dong  
Se-Cho Ku, Seoul  
Korea  
Tel: 2599-7131 ext. 512  
FAX: 2533-8089

**HYCO-Cascade Pty. Ltd.**  
1445 Ipswich Road  
Rocklea,  
Queensland 4107  
Australia  
Tel: 3-274-2722  
FAX: 3-274-3456

**HYCO-Cascade (NZ) Ltd.**  
15 Ra Ora Drive, East Tamaki  
P.O. Box 38-440  
Howick, Auckland  
New Zealand  
Tel: 9-273-9136  
FAX: 9-273-9137

**Cascade (Africa) Pty. Ltd.**  
P.O. Box 625, Isando 1600  
60A Steel Road  
Sparton, Kempton Park  
South Africa  
Tel: 975-9240  
FAX: 394-1147

**Cascade-Xiamen**  
Wanshan No. 1 Workshop  
Huli Road  
Xiamen 361006  
Fujian, PRC  
Tel: 592-562-4600  
FAX: 592-562-4671

**Cascade (Singapore)  
Trading Co.**  
Four Seasons Park  
Autumn Block - Apt. 1802  
12 Cascaden Walk  
Singapore  
Tel: 65-834-1935  
FAX: 65-834-1936

