



Parts Manual

Model 35D Clamp

Serial Number 35D-BAS-102

cascade[®]

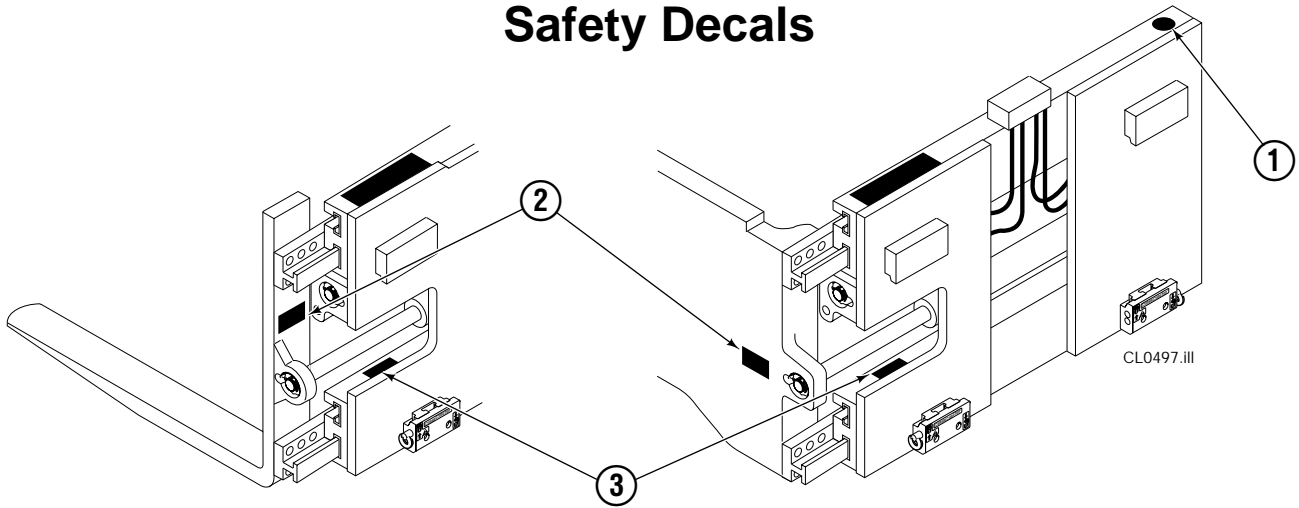
For Technical Assistance call: 800-227-2233, Fax: 888-329-8207

To Order Parts call: 888-227-2233, Fax: 888-329-0234

OR

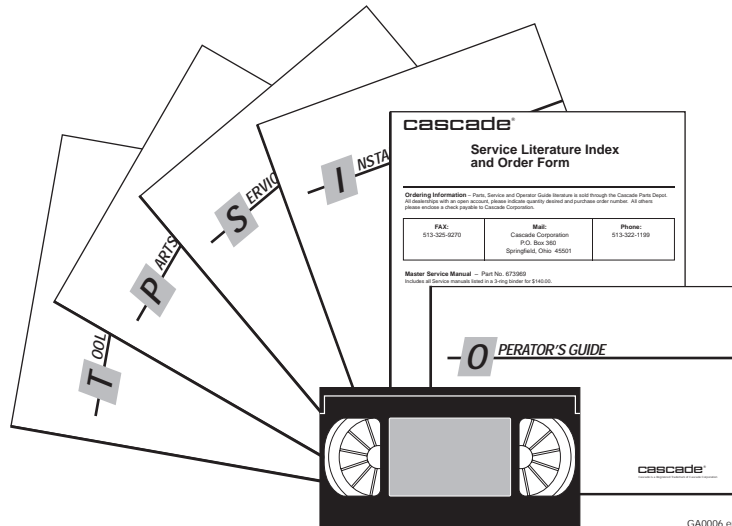
Write: Cascade Corporation, P.O. Box 20187, Portland, OR 97220

Safety Decals



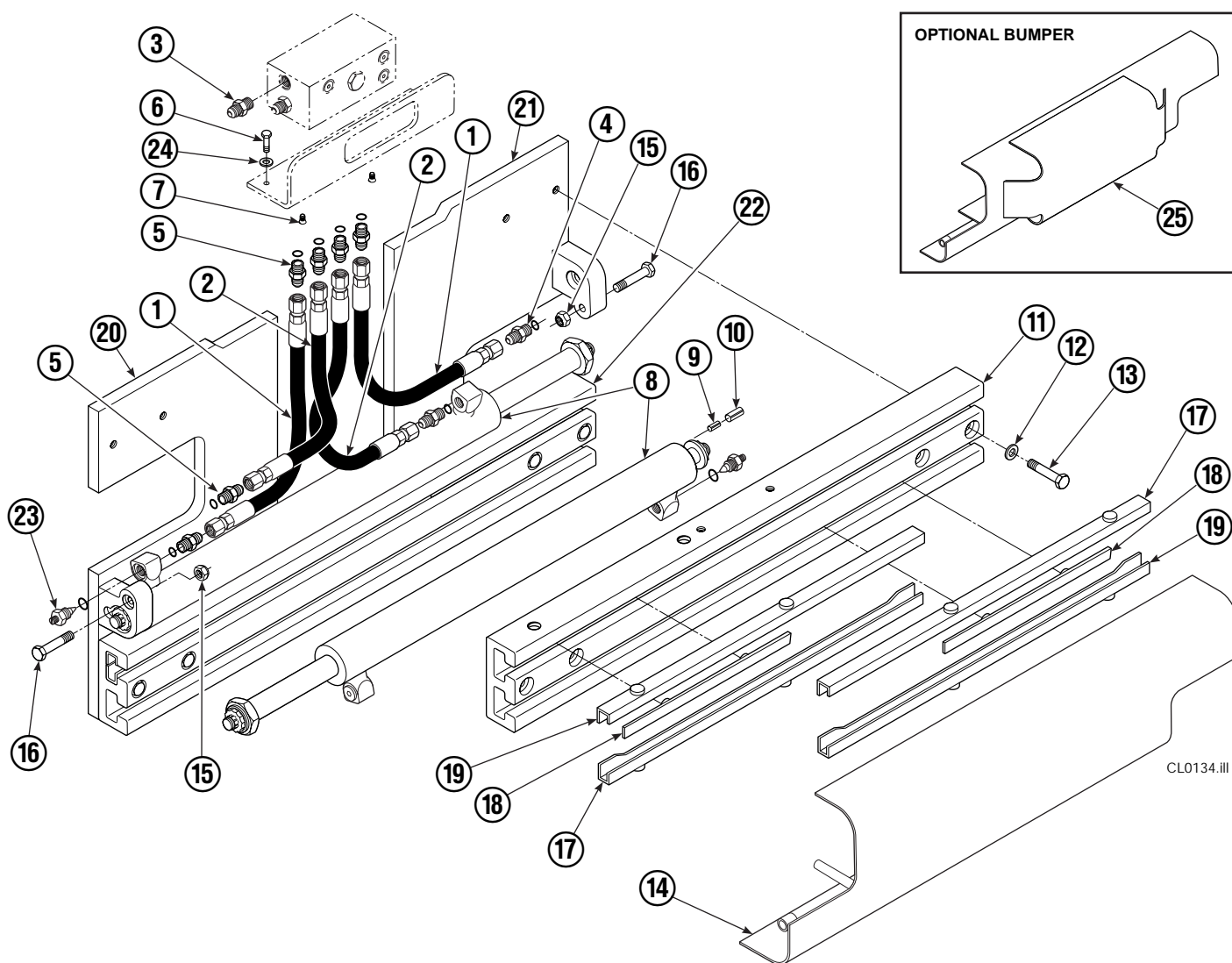
REF	QTY	PART NO.	DESCRIPTION
1	1	679150	No Step Decal
2	2	665595	No Hand Hold Decal
3	1	679059	Quick Change Hook Decal

Publications



PART NO.	DESCRIPTION
669224	Service Manual
672944	Operators Guide
668987	Installation Instructions
680664	Servicing Cascade Cylinders-VHS
679929	Tool Catalog
673964	Literature Index Order Form

Base Unit Group



CL0134.III

35D							
REF	QTY	PART NO.	DESCRIPTION	REF	QTY	PART NO.	DESCRIPTION
		381408	Base Unit Group	13	8	667909	Capscrew
1	2	382360	Hose, 22.50 in.	14	1	381411	Bumper
2	2	210439	Hose, 15.75 in.	15	2	665707	Nut, 1/2 in. ID
3	1	601377	Fitting, 8-8	16	2	633523	Capscrew, 1/2 NC x 2.50
4	2	686369	Fitting	17	4	668910	Bearing
5	6	611288	Fitting, 6-8	18	4	667663	Bearing
6	2	671222	Capscrew, 3/8 NC x .75	19	4	668911	Bearing
7	2	4750	Capscrew, 3/8 NC x .75	20	1	381415	Mounting Plate - RH
8	2	317610	Cylinder ▲	21	1	381413	Mounting Plate - LH
9	2	7861	Roll Pin - Inner	22	1	381410	Frame - Lower
10	2	7962	Roll Pin - Outer	23	2	667609	Restrictor Cartridge ●
11	1	381410	Frame - Upper	24	2	6230	Washer
12	8	667910	Washer	25	1	671519	Optional Bumper

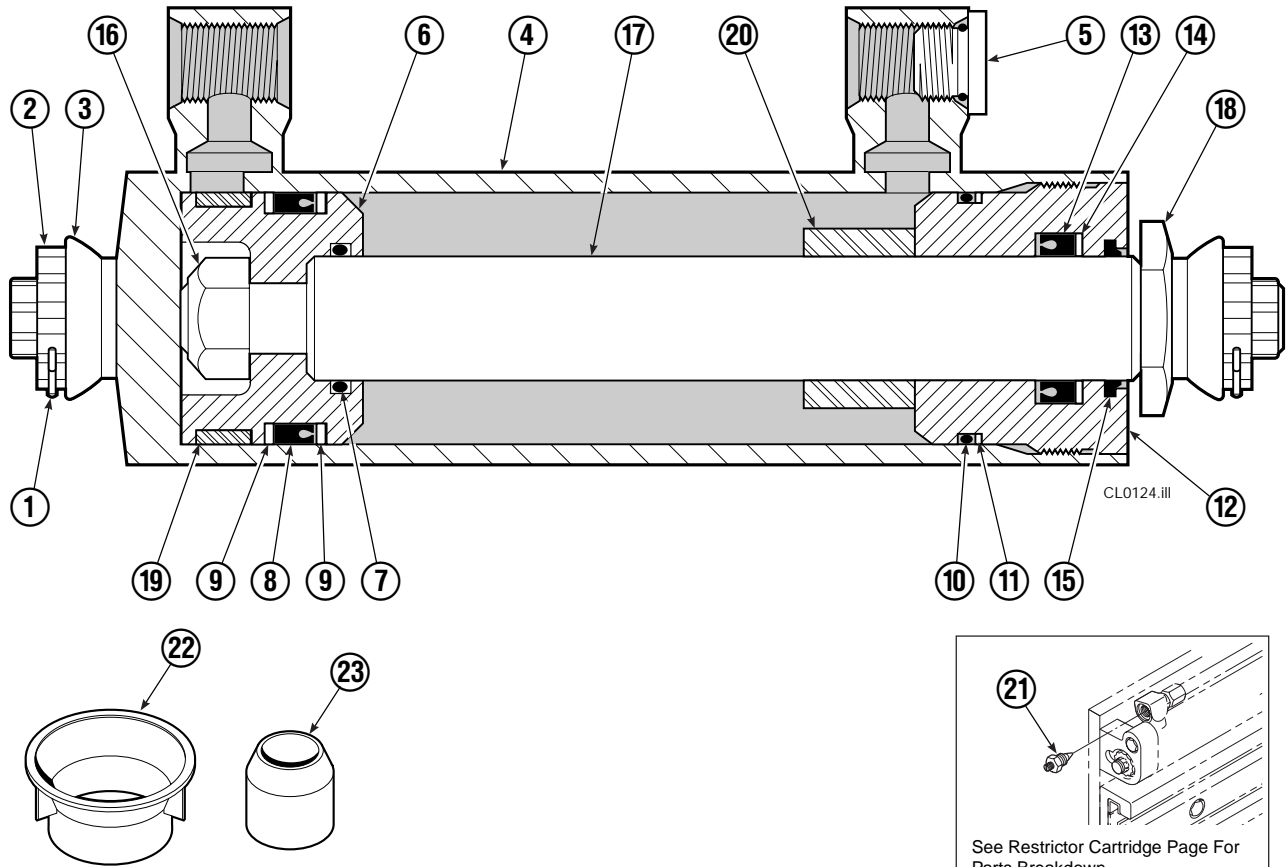
▲ See Cylinder page for parts breakdown.

● Not included in Base Unit Group.

See Restrictor Cartridge page for parts breakdown.

Reference: SK-5301, Common Parts Group 380409.

Cylinder



See Restrictor Cartridge Page For Parts Breakdown.

35D			
REF	QTY	PART NO.	DESCRIPTION
		317610	Cylinder Assembly
1	2	6510	Cotter Pin ■
2	2	667624	Nut Retainer ■
3	2	667625	Nut ■
4	1	317611	Shell
5	1	602580	Fitting
6	1	670891	Piston
7	1	2716	O-Ring ▲
8	1	662454	Seal ▲
9	2	638249	Nylon Ring ▲
10	1	2787	O-Ring ▲
11	1	615130	Back-Up Ring ▲
12	1	667917	Retainer
13	1	662448	Seal ▲
14	1	638243	Nylon Ring ▲
15	1	636853	Wiper ▲
16	1	667623	Nut
17	1	317612	Rod
18	1	667626	Washer
19	1	660761	Bearing
20	1	—	Spacer
21	1	667609	Restrictor Cartridge ●
22	1	671049	Seal Loader, Piston ▲
23	1	671052	Seal Loader, Retainer ▲
		667995	Service Kit

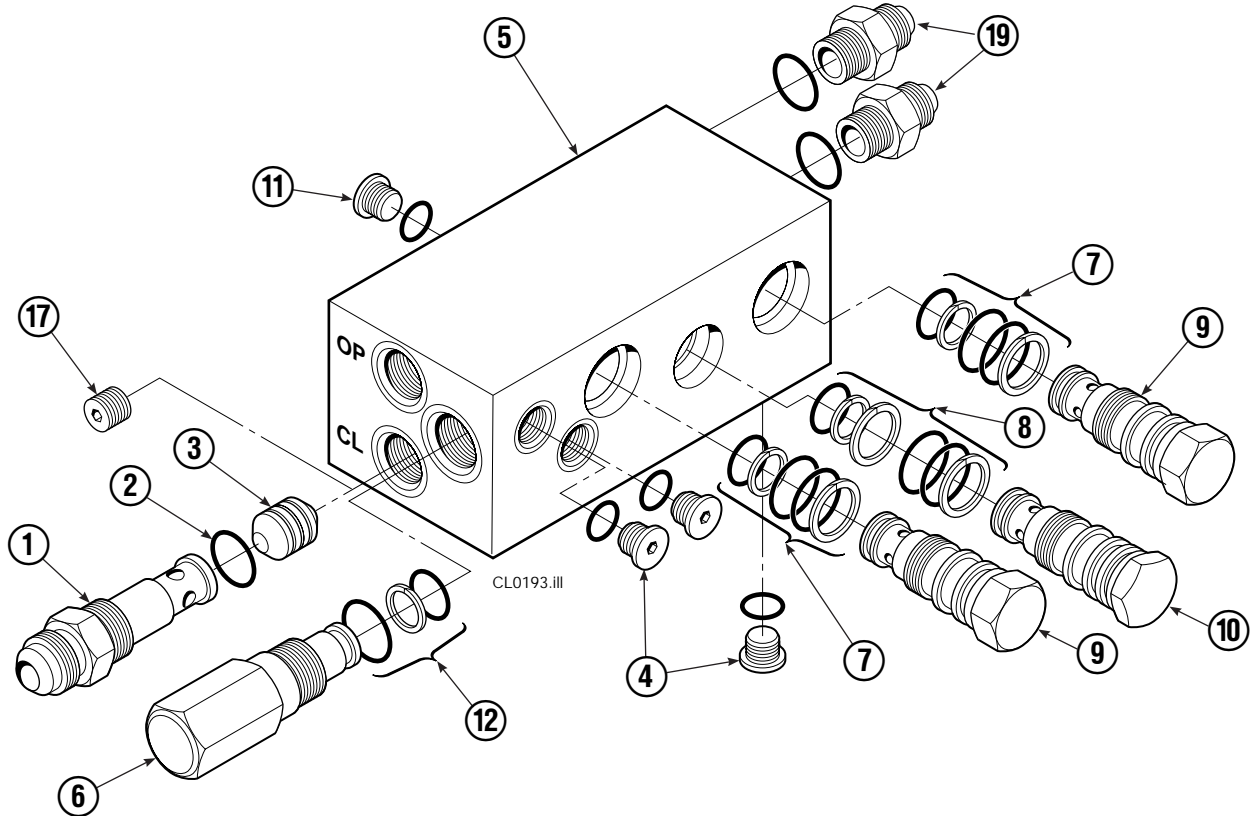
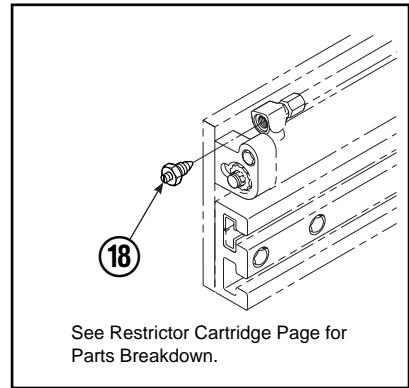
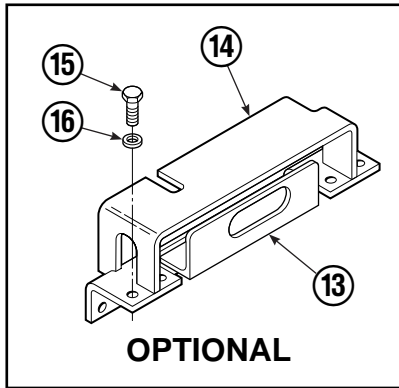
▲ Included in Service Kit 667995.

■ Included in Nut Service Kit 668926.

● Not included in Cylinder Assembly.

Reference: S-7662.

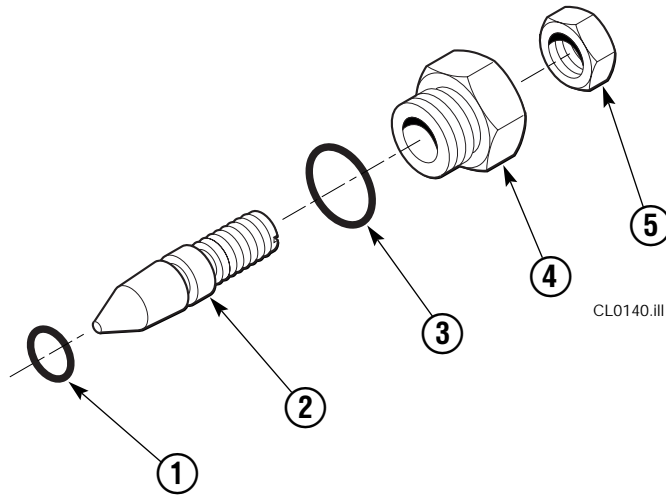
Check Valve Sideshift



35D/50D							
REF	QTY	PART NO.	DESCRIPTION	REF	QTY	PART NO.	DESCRIPTION
		325316	Valve Group - Sideshift	10	1	678270	Check Valve - V.P.O.
★		667479	Check Valve - Sideshift	11	1	604510	Fitting, 6
1	1	667470	Special Fitting	12	1	667510	Seal Kit
●	1	2841	O-Ring	13	1	669999	Bracket
3	1	667471	Spool	14	1	670000	Guard
4	3	609455	Fitting	15	4	670004	Capscrew, .5 NC x 1.25"
5	1	667476	Valve Body	16	4	6232	Washer
6	1	667480	Relief Valve - 2000 PSI	17	1	676343	Regeneration Plug ■
●	2	667516	Service Kit	18	2	667609	Restrictor Cartridge
●	1	661347	Service Kit	19	2	604511	Fitting
9	2	659058	Check Valve - P.O.				

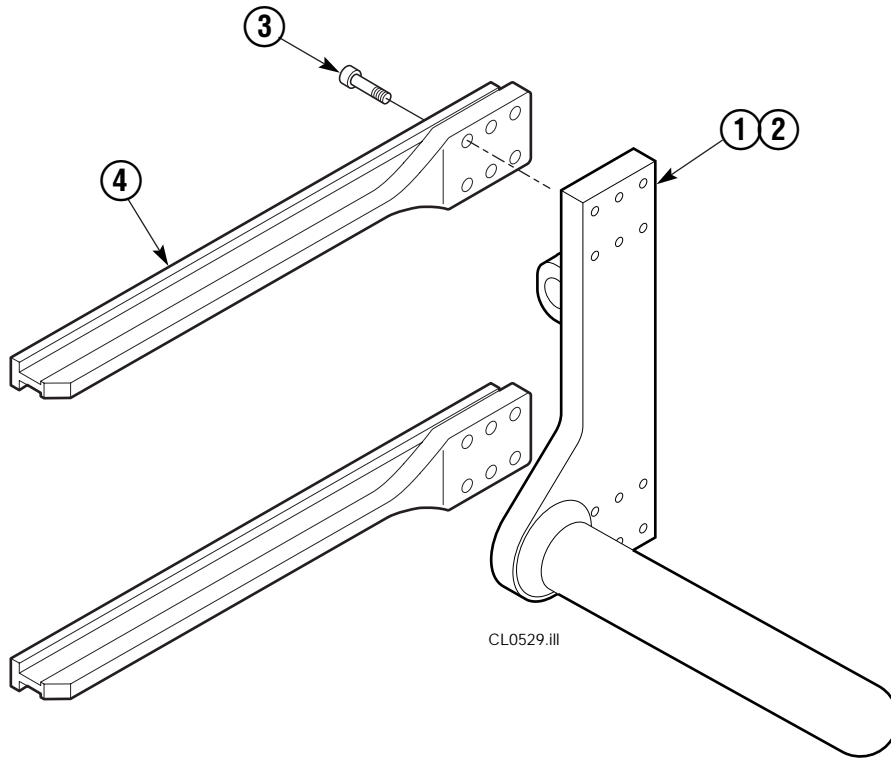
- Included in Service Kit 668868.
- ★ Contains items 1-12 only.
- For eliminating regeneration circuit only.

Restrictor Cartridge



REF	QTY	PART NO.	DESCRIPTION
		667609	Restrictor Cartridge
1	1	2701	O-Ring
2	1	667611	Plunger
3	1	2841	O-Ring
4	1	667610	Plug - Special
5	1	5716	Jam Nut

Ram Arms



ARM CAPSCREW EXTENSION TOOL
Required for proper torquing of capscrews



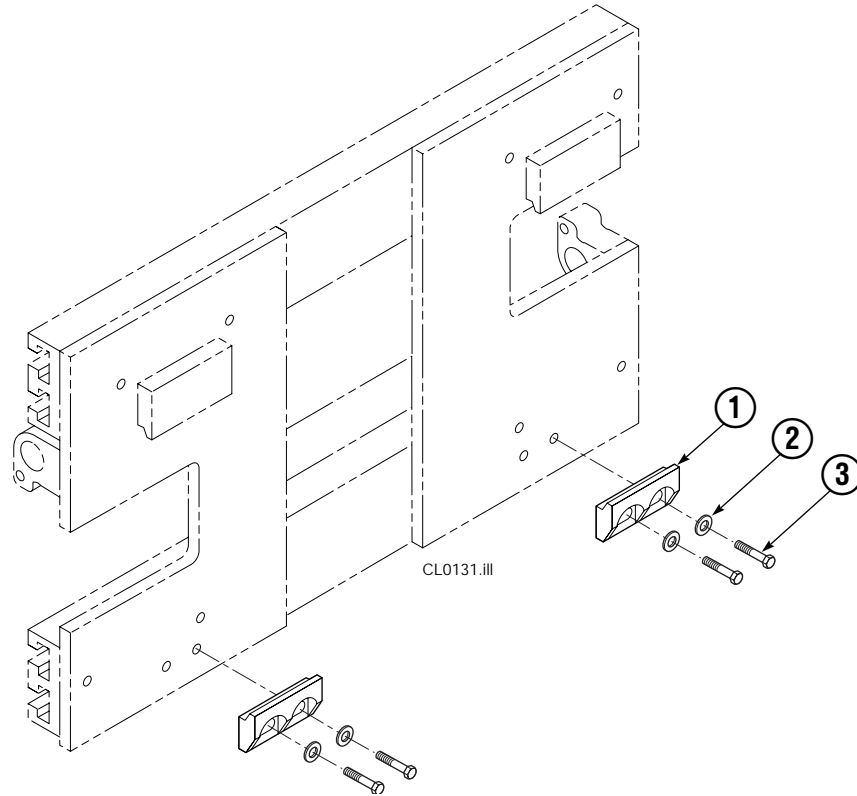
35D/50D

667699

35D			
REF	QTY	PART NO.	DESCRIPTION
		324744	Ram Arm Group ▲
1	1	324745	Arm Weldment - LH
2	1	322746	Arm Weldment - RH
3	24	607105	Capscrew
4	4	317628	Arm Bar

▲ Includes items 1-3 only.

Bolt-On Mounting Group



Class II			
REF	QTY	PART NO.	DESCRIPTION
		678934	Lower Hook Group
1	2	675968	Lower Hook
2	4	667225	Washer, 5/8 in. ID
3	4	667369	Capscrew, 5/8 NC x 1.25 GR 5

Reference: S-3197.

Do you have questions you need answered right now? Call your nearest Cascade Parts Department.

Cascade Corporation
2501 Sheridan Avenue
Springfield, OH 45505
Tel: 888-CASCADE (227-2233)
FAX: 888-329-0234

Cascade Canada Inc.
5570 Timberlea Blvd.
Mississauga, Ontario
Canada L4W-4M6
Tel: 905-629-7777
FAX: 905-629-7785

Cascade GmbH
D-41199 Monchengladbach
Klosterhofweg 52
Germany
Tel: 21-66-602091
FAX: 21-66-680947

Cascade Finland
01370 Vantas
Finland
Tel: 358-0-836-1925
FAX: 358-0-836-1935

**Cascade N.V.
European Headquarters**
P.O. Box 3009
1300 El Almere
Damsluisweg 56
1332 ED Almere
The Netherlands
Tel: 31-36-5492911
FAX: 31-36-5492964

**Cascade N.V.
Benelux Sales and Service**
P.O. Box 3009
1300 El Almere
Damsluisweg 56
1332 ED Almere
The Netherlands
Tel: 31-36-5492950
FAX: 31-36-5492974

Cascade (UK) Ltd.
15, Orgreave Crescent
Dore House Industrial Estate
Handsworth
Sheffield S13 9NQ
England
Tel: 742-697524
FAX: 742-695121

**Cascade Scandinavia
Hydraulik A.B.**
Muskötgatan 19, E8-9
S25466 Helsingborg
Sweden
Tel: 42-151135
FAX: 42-152997

Cascade Norway
Østerliveien 37A
1153 Oslo
Norway
Tel: 47-22-743160
FAX: 47-22-743157

Cascade France S.A.R.L.
11, Rue Jean Charcot
Zone Industrielle Sud or
B.P. 22
91421 Morangis Cedex
France
Tel: 1- 64547501
FAX: 1-9790584

Cascade Hispania S.A.
Avenida De La Fabregada, 7
Hospitalet De Llobregat
Barcelona
Spain
Tel: 3-335-5158
FAX: 3-335-4756

Cascade Japan Ltd.
5-5-41,
Torikai Kami
Settsu, Osaka
Japan, 566
Tel: 81-726-53-3490
FAX: 81-726-53-3497

Cascade Korea
Room 508, Pum Yang Bldg.
750-14, Bang Bac-Dong
Se-Cho Ku, Seoul
Korea
Tel: 2599-7131 ext. 512
FAX: 2533-8089

HYCO-Cascade Pty. Ltd.
1445 Ipswich Road
Rocklea,
Queensland 4107
Australia
Tel: 3-274-2722
FAX: 3-274-3456

HYCO-Cascade (NZ) Ltd.
15 Ra Ora Drive, East Tamaki
P.O. Box 38-440
Howick, Auckland
New Zealand
Tel: 9-273-9136
FAX: 9-273-9137

Cascade (Africa) Pty. Ltd.
P.O. Box 625, Isando 1600
60A Steel Road
Sparton, Kempton Park
South Africa
Tel: 975-9240
FAX: 394-1147

Cascade-Xiamen
Wanshan No. 1 Workshop
Huli Road
Xiamen 361006
Fujian, PRC
Tel: 592-562-4600
FAX: 592-562-4671

**Cascade (Singapore)
Trading Co.**
Four Seasons Park
Autumn Block - Apt. 1802
12 Cascaden Walk
Singapore
Tel: 65-834-1935
FAX: 65-834-1936

