



Parts Manual

Model _____ Paper Roll Clamp

Serial Number _____ 66G-RCP-B009R2

cascade[®]
corporation

For Technical Assistance call: 800-227-2233, Fax: 888-329-8207

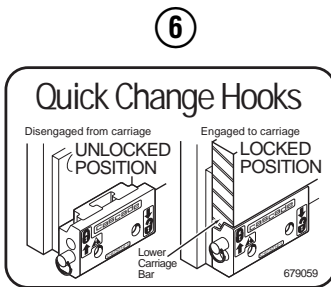
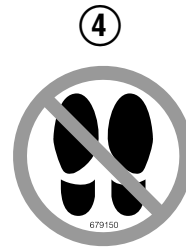
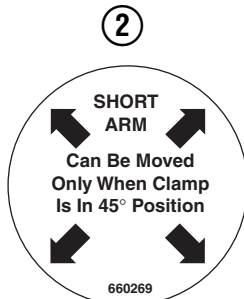
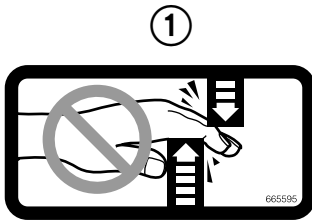
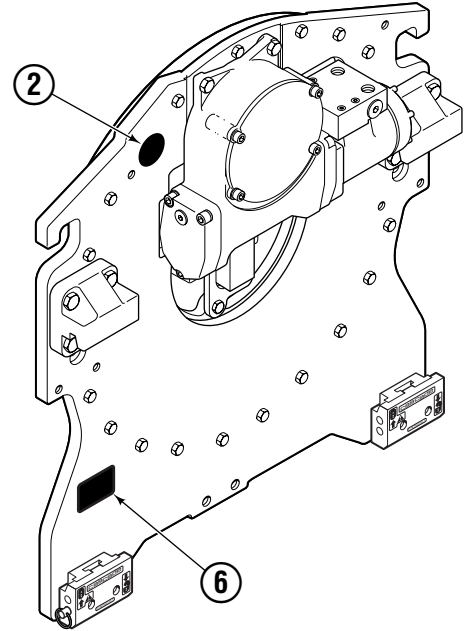
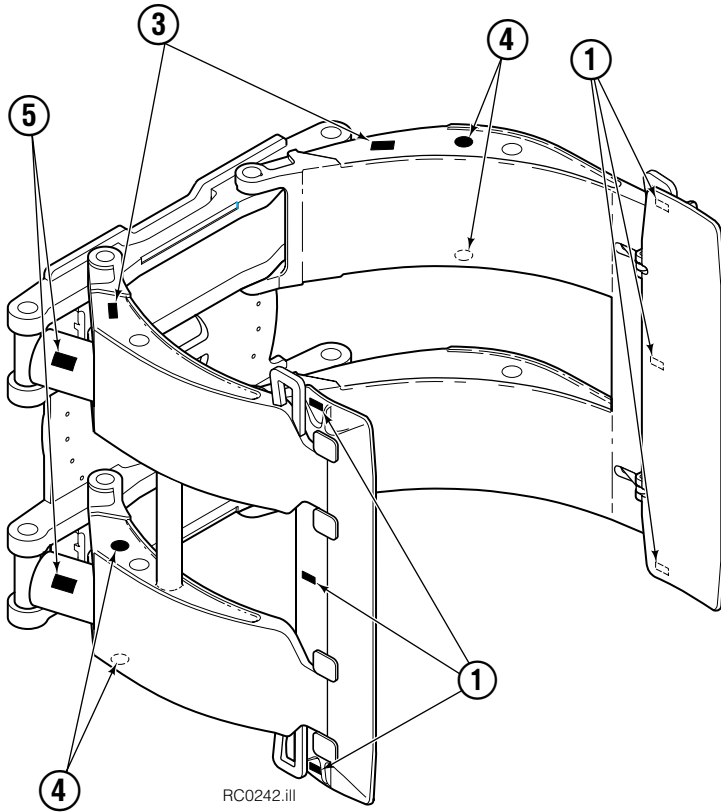
To Order Parts call: 888-227-2233, Fax: 888-329-0234

OR

Write: Cascade Corporation, P.O. Box 20187, Portland, OR 97220

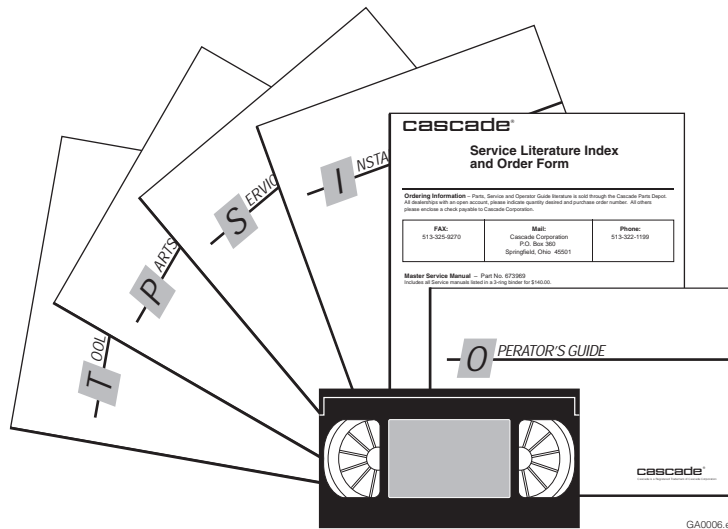
Internet: www.cascorp.com

Decals



66G				
REF	QTY	PART NO.	DESCRIPTION	
1	4	665595	No Hand Hold Decal	
2	2	660269	Short Arm Rotation Position Decal	
3	6	656038	Caution Decal	
4	4	679150	No Step Decal	
5	4	665677	Trapped Pressure Decal	
6	1	679059	Quick-Change Hook Decal	
7	1	671167	Oil Fill Tag (not shown)	
		212926	Decal Kit, (items 1–7)	

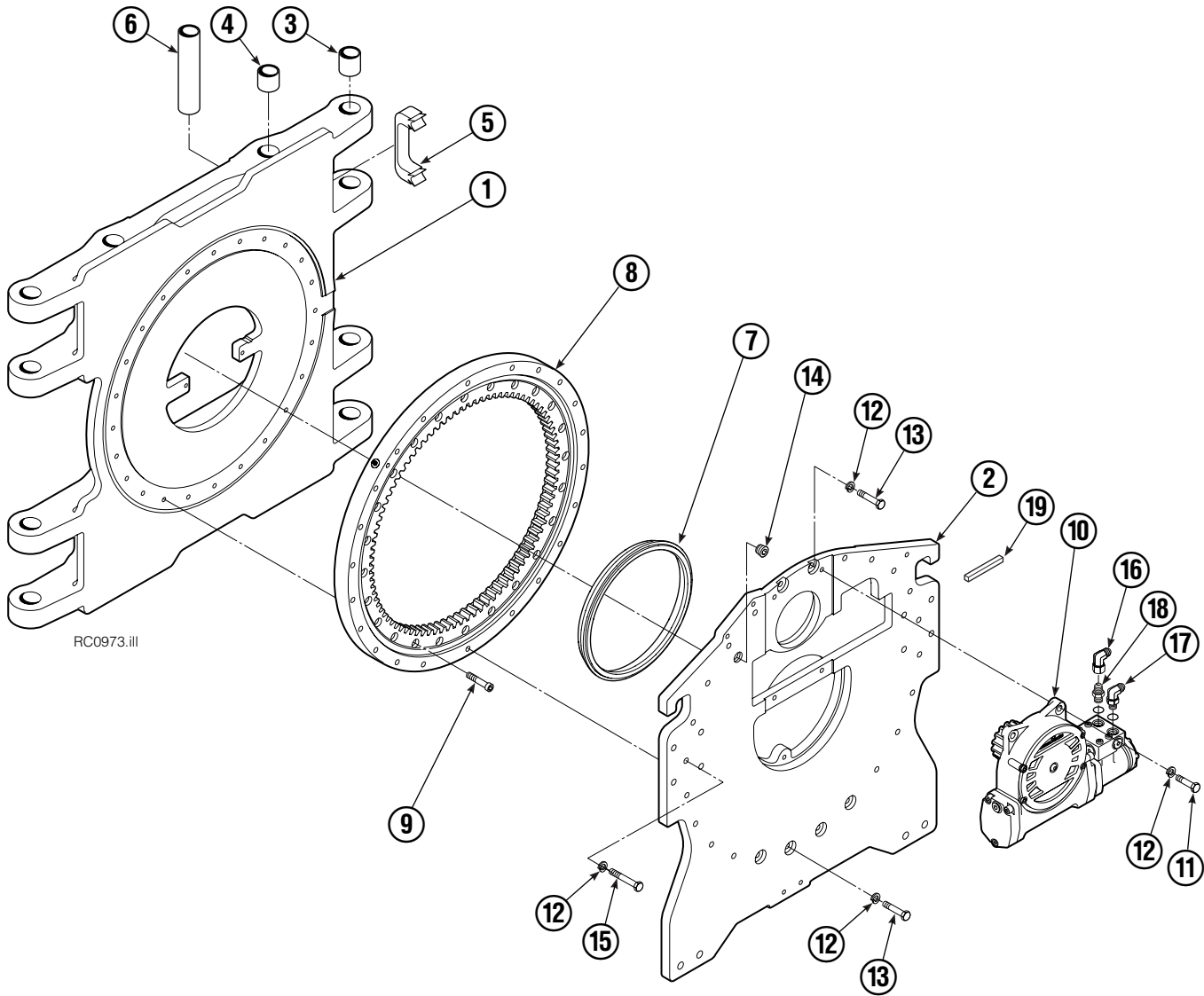
Publications



GA0006.eps

66G	
PART NO.	DESCRIPTION
	Parts Manual
213744	Service Manual
210135	Operator's Guide
212420	Installation Instructions - Fixed Frame
677555	Driver Training Video - VHS
679929	Tool Catalog
673964	Literature Index Order Form

Frame Group



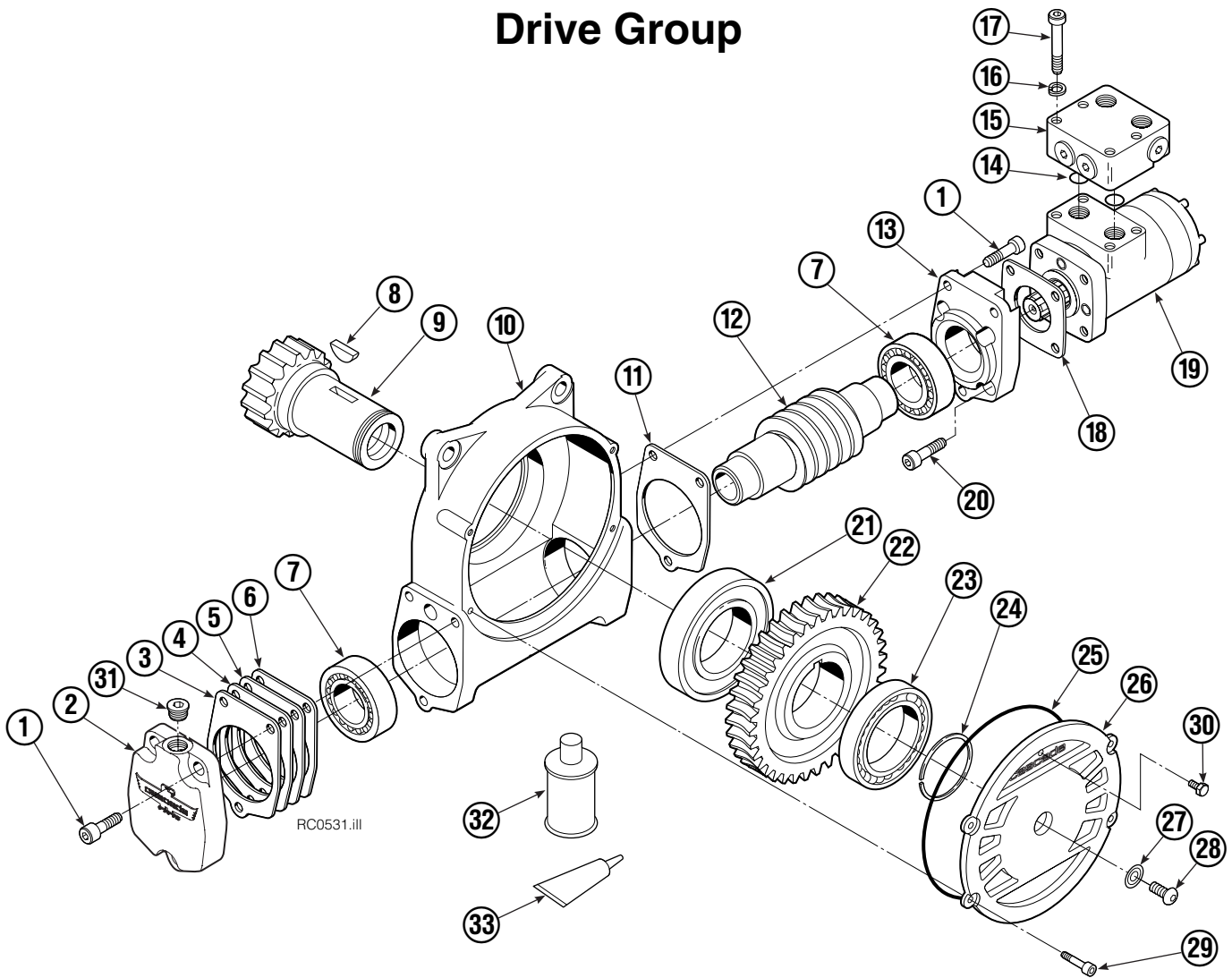
RC0973.iii

66G							
REF	QTY	PART NO.	DESCRIPTION	REF	QTY	PART NO.	DESCRIPTION
		6022625	Frame Group w/ Stop – 63 in. ▲	13	6	209684	Capscrew, M12 x 50
1	1	6022626	Frame	14	1	6605	Fitting, 3/4 in.
2	1	213981	Baseplate	15	18	213900	Capscrew, M12 x 60
3	8	211718	Bearing	16	1	605761	Fitting, 8-8 ◆
4	8	211717	Bearing	17	1	601250	Fitting, 8-8 ◆
5	4	211712	Hose Guard	18	1	601377	Fitting, 8-8 ◆
6	4	209987	Spacer	19	1	669344	Stop Block Kit
7	1	209944	Seal			212905	Bearing Service Kit (items 3, 4, 6)
8	1	213983	Bearing Assembly			212907	Pin Service Kit (items 4, 6)
9	24	213902	Capscrew, M12 x 45			212908	Pin Service Kit (item 3)
10	1	212308	Drive Group – 2.2 c.i. Motor ●			216440	Bearing Kit (items 8, 9, 12, 13, 15)
	1	795491	Drive Group – 2.8 c.i. Motor ●			212917	Drive Group Kit – 2.2 (items 10, 11, 12)
11	4	211689	Capscrew, M12 x 30			212918	Drive Group Kit – 2.8 (items 10, 11, 12)
12	28	683822	Lockwasher, M12				

- ▲ Maximum roll handling capacity.
- See Drive Group page for parts breakdown.
- ◆ Included in Fitting Group 212367.

Reference: S-4650, S-4506, S-4188, S-4733.
Common Parts Groups 211975, 213986.
Baseplate Group 213834.

Drive Group



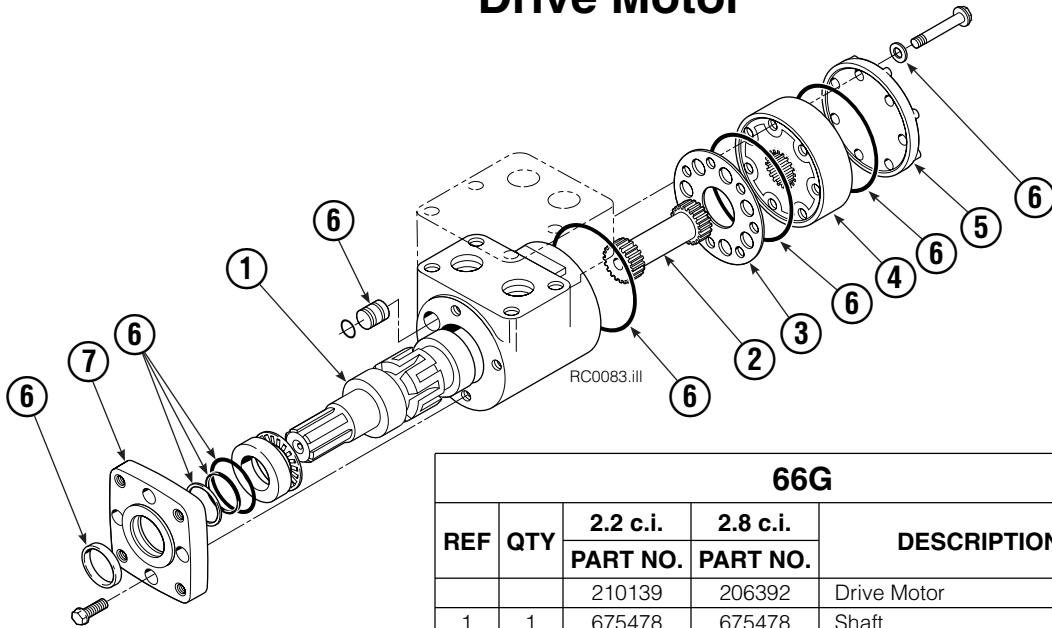
66G							
REF	QTY	PART NO.	DESCRIPTION	REF	QTY	PART NO.	DESCRIPTION
		212308	Drive Group with 2.2 c.i. Motor	19	1	210139	Drive Motor – 2.2 c.i. ▲
		795491	Drive Group with 2.8 c.i. Motor		1	206392	Drive Motor – 2.8 c.i. ▲
1	6	768826	Capscrew, M12 x 25	20	4	4468	Capscrew, 3/8 NC x .75 GR8
2	1	211774	Cover	21	1	670580	Bearing
3	●	674513	Shim – .005 in. (blue)	22	1	675609	Worm Gear
4	●	670574	Shim – .010 in. (brown)	23	1	670581	Bearing
5	●	671757	Shim – .015 in. (pink)	24	1	7214	Snap Ring
6	●	671758	Shim – .020 in. (yellow)	25	1	204970	Gasket
7	1	670579	Bearing	26	1	775552	Cover
8	1	670582	Key	27	1	783609	Seal
9	1	670506	Pinion	28	1	783608	Capscrew, M12 x 16
10	1	775551	Housing	29	4	775639	Capscrew, M8 x 20
11	1	686465	Gasket	30	1	644010	Relief Fitting
12	1	675608	Worm	31	1	604510	Fitting, 6
13	1	775553	Adapter	32	1	656300	Gear Box Lube – 48 oz.
14	2	2705	O-Ring	33	1	668184	Sealant
15	1	670549	Check Valve			670578	Shim Service Kit (items 3-6, 11, 33)
16	4	6444	Lockwasher, 5/16			675637	Shim Service Kit (items 21, 33)
17	4	607059	Capscrew, 5/16 NC x 1.75 GR8			675638	Shim Service Kit (items 3-7)
18	1	670575	Gasket			212919	Motor Kit-2.2 (items 11,14,18,19,20,33)
						212920	Motor Kit-2.8 (items 11,14,18,19,20,33)

● Quantity as required.

▲ See Drive Motor page for parts breakdown.

Reference: Common Parts Group 795490, SKN-5527.

Drive Motor

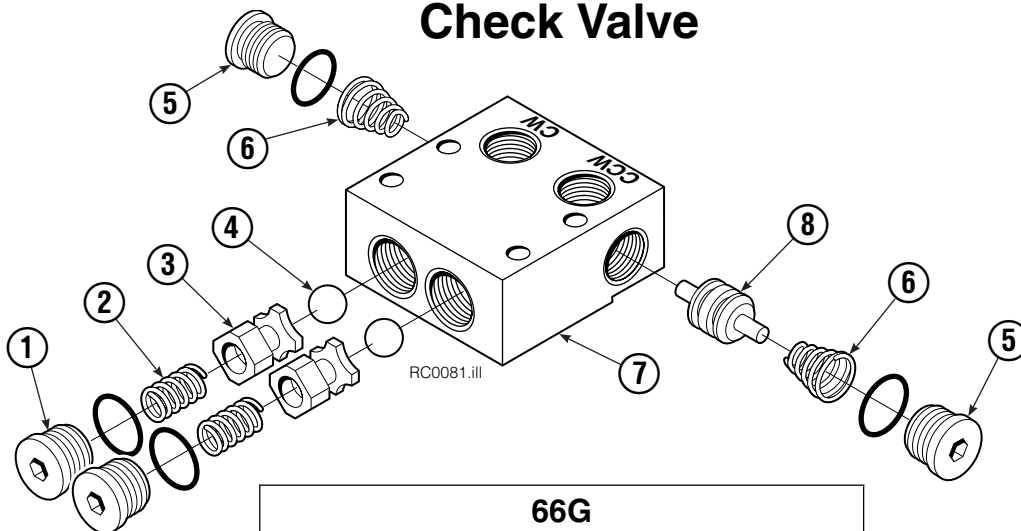


66G				
REF	QTY	2.2 c.i.	2.8 c.i.	DESCRIPTION
		PART NO.	PART NO.	
		210139	206392	Drive Motor
1	1	675478	675478	Shaft
2	1	675477	675477	Drive Link
3	1	211528	675479	Spacer Plate
4	1	210137	675480	Geroler/Gerotor Set
5	1	211527	675482	End Cap
6	1	206405	206405	Service Kit ●
7	1	685090	685090	Flange

Cascade provides service replacement parts for the listed parts only. Due to cost, if other parts need replacement, the Drive Motor should be replaced.

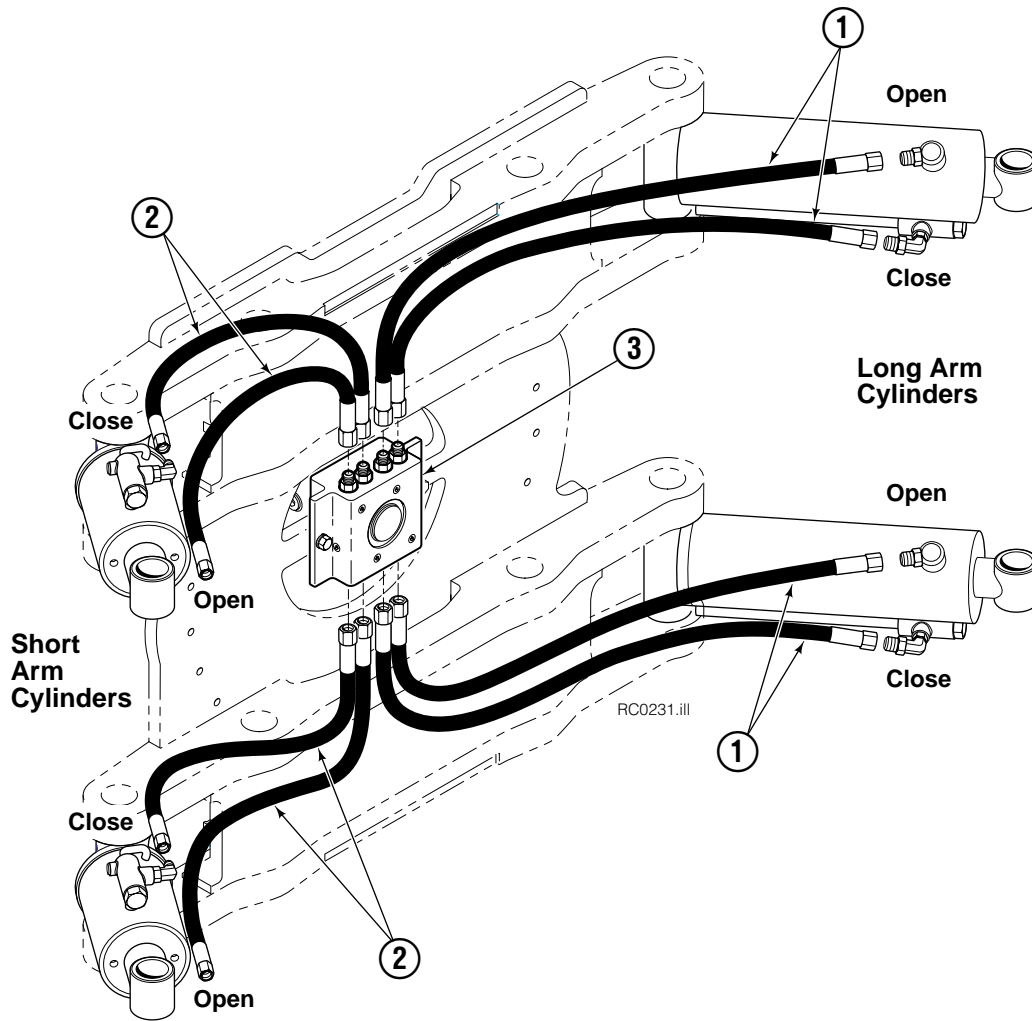
- Compatible with water glycol based hydraulic fluids.

Check Valve



66G			
REF	QTY	PART NO.	DESCRIPTION
		670549	Check Valve Assembly
1	2	609453	Fitting, 10
2	2	670552	Spring
3	2	670551	Guide
4	2	7020	Ball
5	2	602580	Fitting, 8
6	2	673989	Spring
7	1	670550	Body
8	1	670553	Spool

Hosing Group Positioned Short Arm



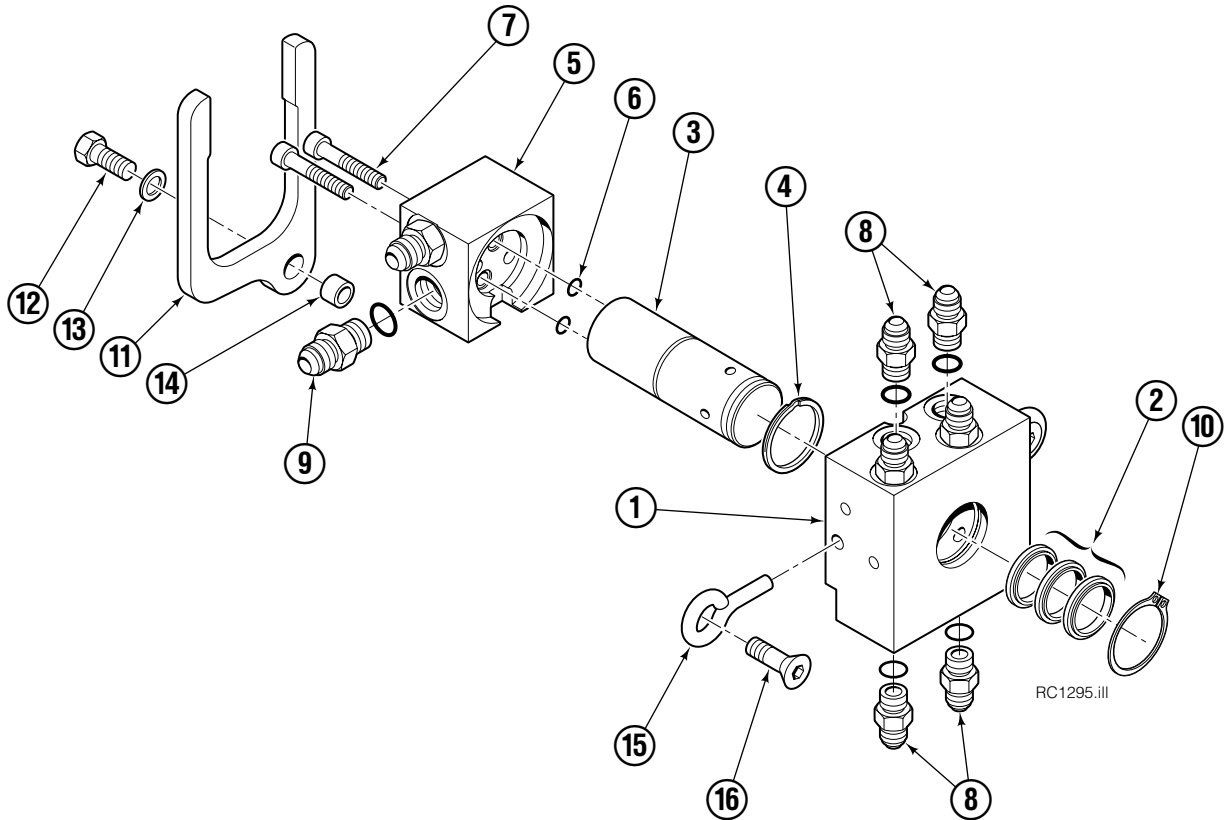
66G			
REF	QTY	PART NO.	DESCRIPTION
		6024033	Hose Group, 63 in. ■
1	4	6024025	Hose, 37.75 in.
2	4	213995	Hose, 27.5 in.
3	1	▲	Revolving Connection

■ Maximum roll handling capacity.

▲ See Revolving Connection page for part number.

Reference: S-4192, S-4193.

Revolving Connection

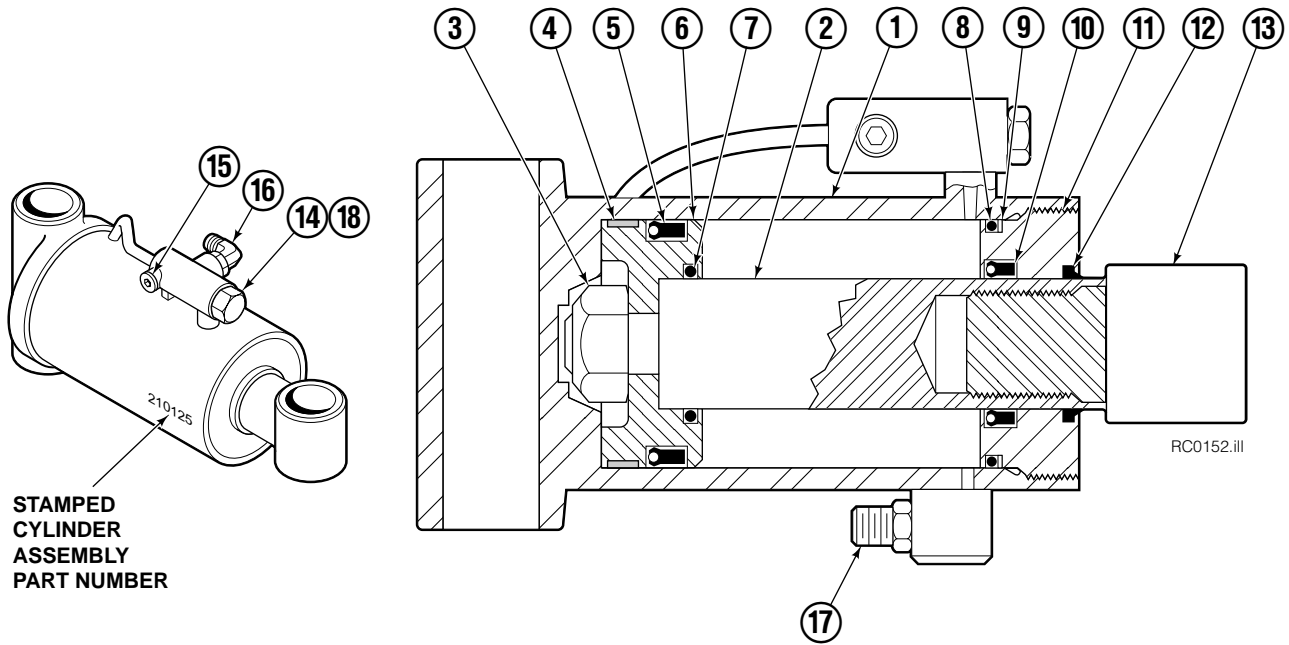


72G			
REF	QTY	PART NO.	DESCRIPTION
		6024043	Revolving Connection Group
		6023893	Revolving Connection ●
1	1	6023548	Valve Body
2	3	214649	◆ Seal
3	1	6023895	Shaft
4	1	7341	◆ Retaining Ring
5	1	6023542	End Block
6	2	684587	◆ O-Ring
7	2	766123	◆ Capscrew, M8 x 50
8	8	604511	Fitting, 6-6
9	2	601377	Fitting, 8-8
10	1	3138	◆ Retaining Ring
11	1	211909	End Block Retainer
12	1	215480	Capscrew, M10 x 25
13	1	206322	Washer, M10
14	1	212725	Spacer
15	2	227962	Eye Pin
16	2	768697	Capscrew, M10 x 25

◆ Included in Service Kit 6024395.

● Revolving Connection 6023893 includes items 1-10.

Long Arm Cylinder



STAMPED
CYLINDER
ASSEMBLY
PART NUMBER

RC0152.iii

66G							
REF	QTY	51 in. ■	55 in. ■	60 in. ■	63 in. ■	72 in. ■	DESCRIPTION
		PART NO.	PART NO.	PART NO.	PART NO.	PART NO.	
		213638	213634	213640	213636	213642	Cylinder Assembly
1	1	4195-358	4195-376	4195-395	4195-422	4195-410	Shell
2	1	4130-348	4130-379	4130-390	4130-420	4130-500	Rod

■ Maximum roll handling capacity.

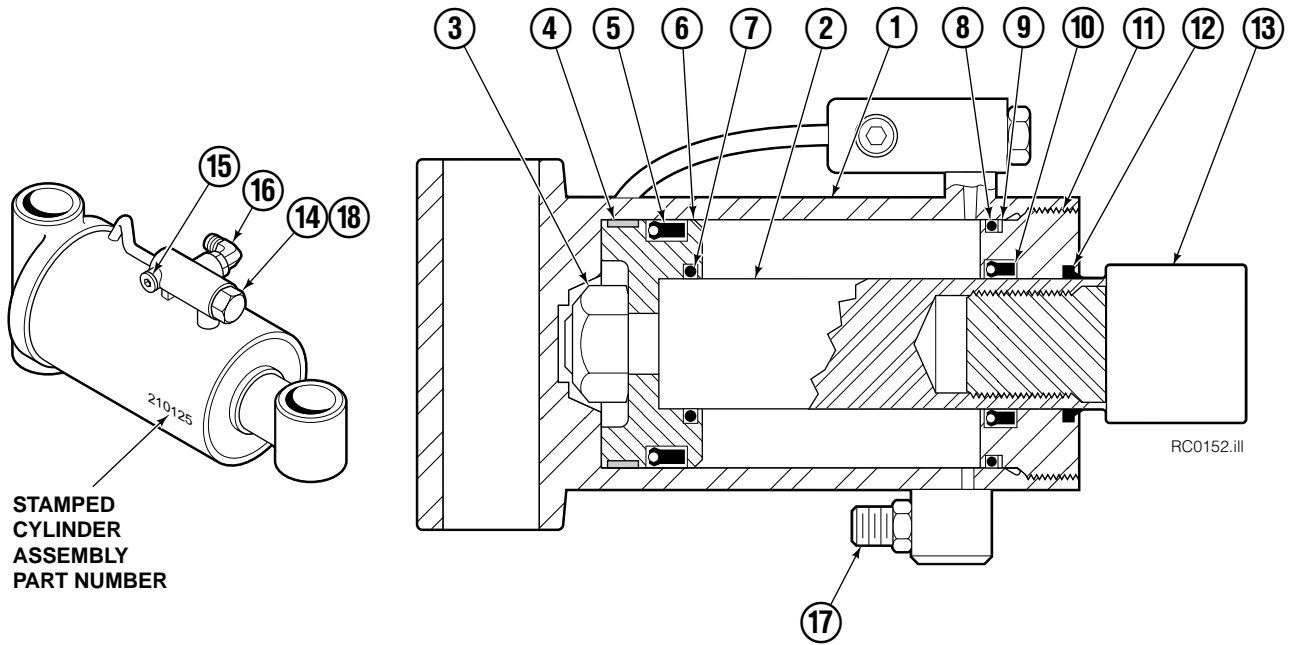
Common Parts

REF	QTY	PART NO.	DESCRIPTION	REF	QTY	PART NO.	DESCRIPTION
3	1	560997	Nut	12	1	564443	▲ Wiper
4	1	211295	▲ Wear Ring	13	1	209764	Rod End
5	1	564902	▲ Seal	14	1	659058	Check Valve
6	1	211292	Piston	15	1	609234	Fitting, 4
7	1	210087	▲ O-Ring	16	1	601676	Fitting, 6-6
8	1	564445	▲ O-Ring	17	1	604511	Fitting, 6-6
9	1	564446	▲ Back-Up Ring	18	1	667516	Check Valve Service Kit
10	1	564442	▲ Seal			210133	Cylinder Service Kit
11	1	209763	Retainer				

▲ Included in Service Kit 210133.

Reference: S-4195, LS-4454, S-4460.

Short Arm Cylinder



66G							
REF	QTY	51 in. ■	55 in. ■	60 in. ■	63 in. ■	72 in. ■	DESCRIPTION
		PART NO.	PART NO.	PART NO.	PART NO.	PART NO.	
		213639	213635	213641	213637	213643	Cylinder Assembly
1	1	4195-179	4195-189	4195-194	4195-195	4195-190	Shell
2	1	4130-163	4130-174	4130-200	4130-245	4130-335	Rod

■ Maximum roll handling capacity.

Common Parts

REF	QTY	PART NO.	DESCRIPTION	REF	QTY	PART NO.	DESCRIPTION
3	1	560997	Nut	12	1	564443	▲ Wiper
4	1	211295	▲ Wear Ring	13	1	209764	Rod End
5	1	564902	▲ Seal	14	1	659058	Check Valve
6	1	211292	Piston	15	1	609234	Fitting, 4
7	1	210087	▲ O-Ring	16	1	601676	Fitting, 6-6
8	1	564445	▲ O-Ring	17	1	604511	Fitting, 6-6
9	1	564446	▲ Back-Up Ring	18	1	667516	Check Valve Service Kit
10	1	564442	▲ Seal			210133	Cylinder Service Kit
11	1	209763	Retainer				

▲ Included in Service Kit 210133.

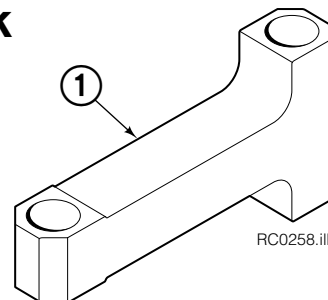
Reference: S-4195, LS-4454, S-4460.

Short Arm Link

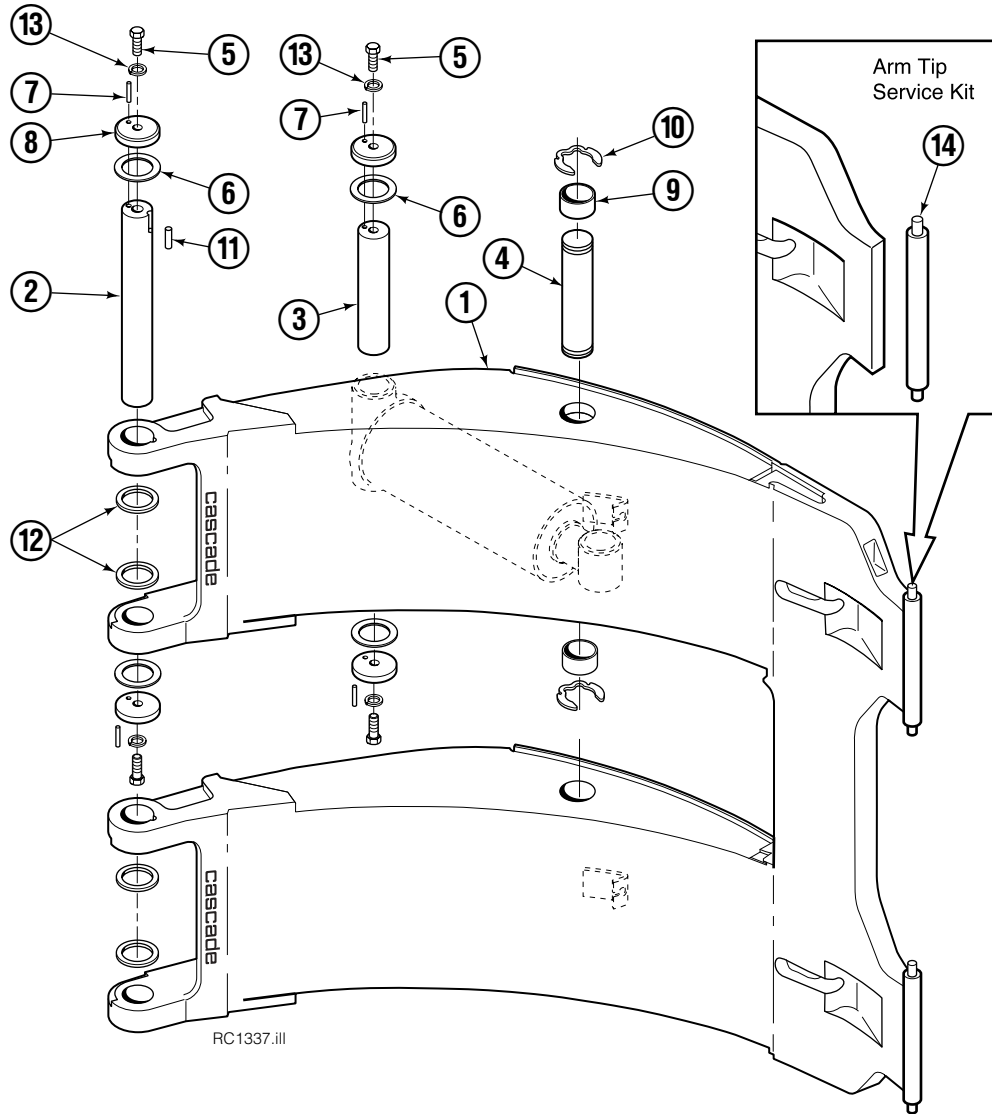
66G			
REF	QTY	PART NO.	DESCRIPTION
1	2	213954	Link – 51 in. ■
	2	213955	Link – 55 in. ■
	2	213956	Link – 60 in. ■
	2	213957	Link – 63 in. ■
	2	210145	Link – 72 in. ■

■ Maximum roll handling capacity.

Reference: S-4196, S-4203.



Long Arm

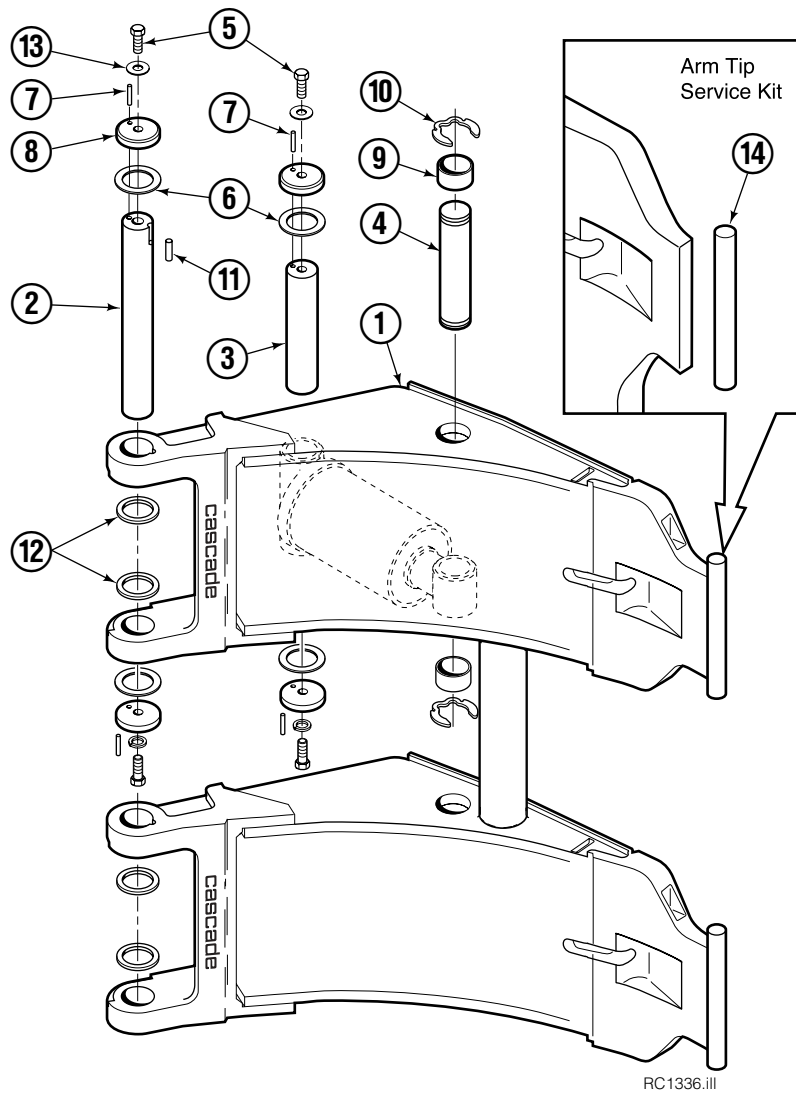


66G			
REF	QTY	63 in. ■	DESCRIPTION
		PART NO.	
		6022634	Long Arm Group
1	1	6022613	Long Arm

■ Maximum roll handling capacity.

REF	QTY	PART NO.	DESCRIPTION	REF	QTY	PART NO.	DESCRIPTION
2	2	6017336	Arm Pivot Pin	9	4	210080	Bearing
3	2	6023679	Cylinder Pivot Pin	10	4	209986	Retaining Ring
4	2	4175-150	Cylinder Rod Pivot Pin	11	2	212382	Dowel Pin, 8x16 mm
5	8	3007512	Capscrew, M12 x 25	12	16	209941	Shim, .062 in.
6	8	213029	Shim	13	8	209019	Washer, M12
7	8	209776	Dowel Pin	14	1	212902	Arm Tip Service Kit
8	8	6017339	Cap				

Short Arm

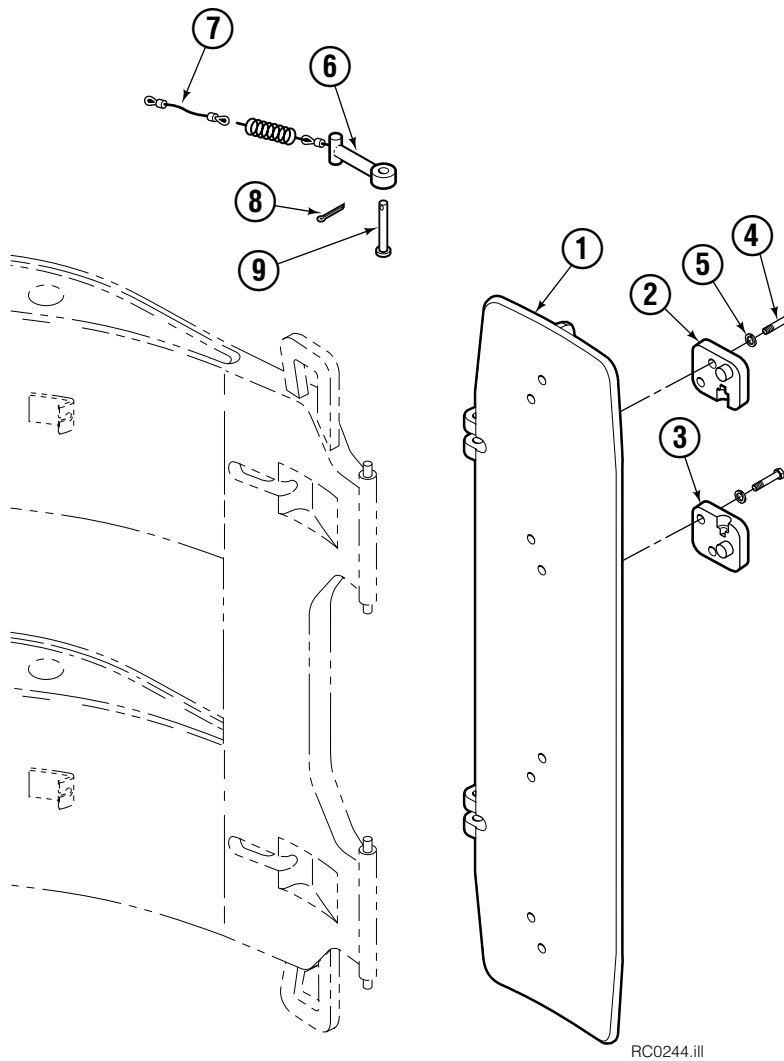


66G			
REF	QTY	63 in. ■	DESCRIPTION
		PART NO.	
		6022620	Short Arm Group
1	1	6022621	Short Arm

■ Maximum roll handling capacity.

REF	QTY	PART NO.	DESCRIPTION	REF	QTY	PART NO.	DESCRIPTION
2	2	6017336	Arm Pivot Pin	9	4	210080	Bearing
3	2	6023679	Cylinder Pivot Pin	10	4	209986	Retaining Ring
4	2	4175-150	Cylinder Rod Pivot Pin	11	2	212382	Dowel Pin, 8x16 mm
5	8	3007512	Capscrew, M12 x 25	12	16	209941	Shim - .062 in.
6	8	213029	Shim	13	8	209019	Washer, M12
7	8	209776	Dowel Pin	14	1	212902	Arm Tip Service Kit
8	8	6017339	Cap				

Pad Group – Long Arm



66G			
REF	QTY	60 in. ■	DESCRIPTION
		PART NO.	
		209882	Standard Pad Group
1	1	209895	Pad, Standard

■ Maximum roll handling capacity.

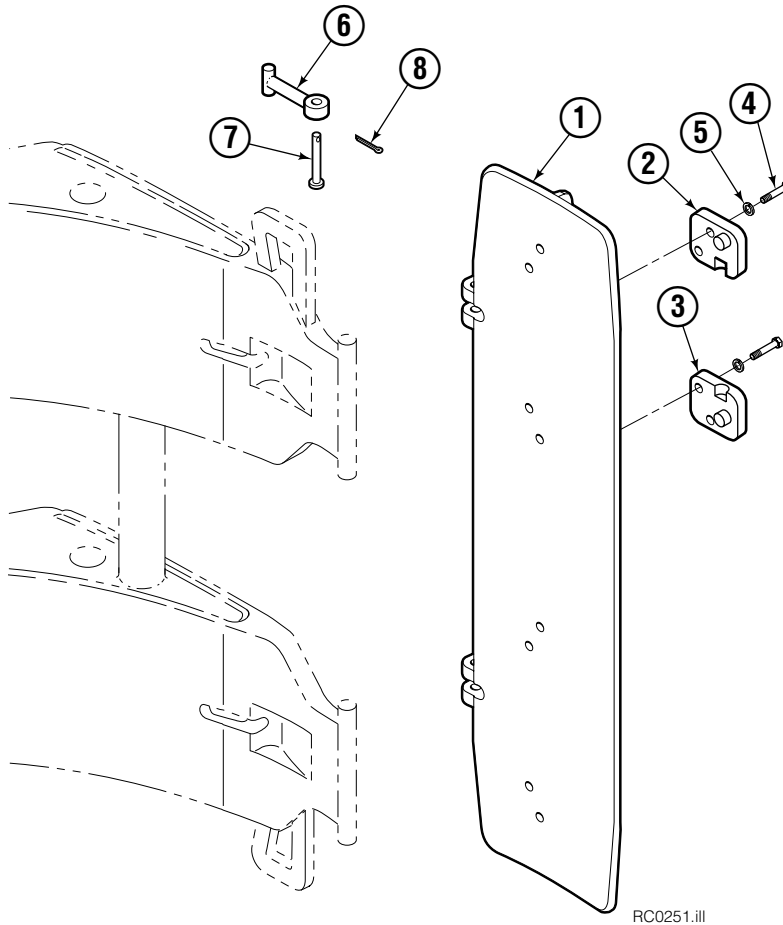
Common Parts

REF	QTY	PART NO.	DESCRIPTION	REF	QTY	PART NO.	DESCRIPTION
		212931	Common Parts Group – Long Arm	6	2	209916	Link
2	2	211997	Retainer – RH ▲	7	2	4182-110	Cable
3	2	211998	Retainer – LH ▲	8	2	674265	Clevis Pin
4	8	763021	Capscrew, M12 x 30	9	2	6525	Cotter Pin
5	8	681473	Lockwasher, M12				

▲ Driver's view, clamp in horizontal position, Short Arm up.

Reference: S-4176, S-4177.

Pad Group – Short Arm



66G			
REF	QTY	60 in. ■	DESCRIPTION
		PART NO.	
		209883	Standard Pad Group
1	1	209895	Pad, Standard

■ Maximum roll handling capacity.

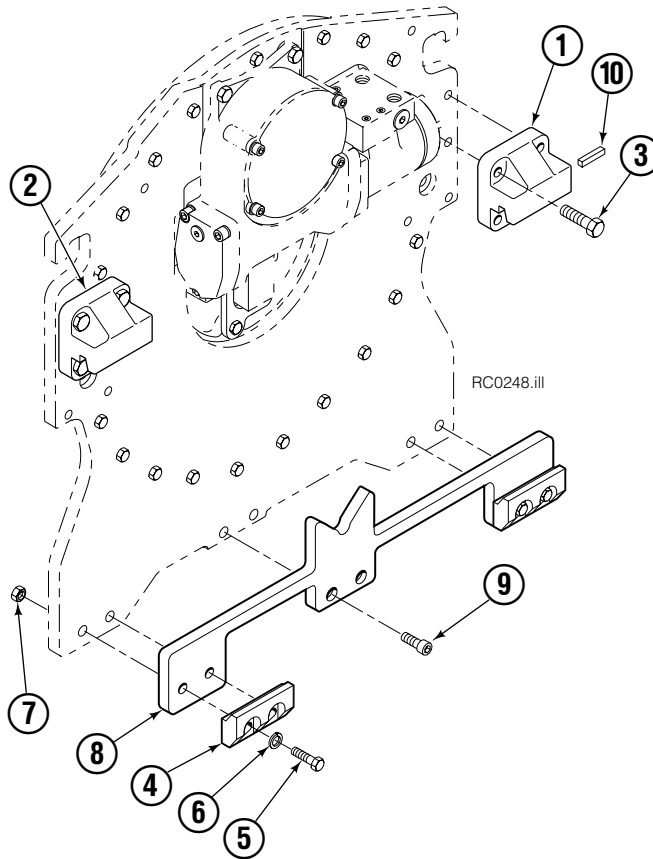
Common Parts

REF	QTY	PART NO.	DESCRIPTION	REF	QTY	PART NO.	DESCRIPTION
		212935	Common Parts Group – Short Arm	5	8	681473	Lockwasher, M12
2	2	209904	Retainer – RH ▲	6	2	209909	Link
3	2	209905	Retainer – LH ▲	7	2	674265	Clevis Pin
4	8	763021	Capscrew, M12 x 30	8	2	6525	Cotter Pin

▲ Driver's view, clamp in horizontal position, Short Arm up.

Reference: S-4176, S-4177.

Mounting Group



Class III, 2°			
REF	QTY	PART NO.	DESCRIPTION
		209926	Mounting Group
1	1	209932	Upper Hook – RH
2	1	209933	Upper Hook – LH
3	4	779010	Capscrew, M16 x 35
4	2	675969	Lower Hook
5	4	678997	Capscrew, M16 x 70
6	4	667225	Washer, .625 in. I.D.
7	4	781534	Nut, M16
8	1	209936	Spacer
9	2	213771	Capscrew, M12 x 25
10	1	669344	Stop Kit

Do you have questions you need answered right now? Call your nearest Cascade Parts Department. Visit us online at www.cascorp.com

Cascade Corporation
2501 Sheridan Avenue
Springfield, OH 45505
Tel: 888-CASCADE (227-2233)
FAX: 888-329-0234

Cascade Canada Inc.
5570 Timberlea Blvd.
Mississauga, Ontario
Canada L4W-4M6
Tel: 905-629-7777
FAX: 905-629-7785

Cascade GmbH
D-41199 Monchengladbach
Klosterhofweg 52
Germany
Tel: 49-216-668230
FAX: 49-216-6682323

Cascade Finland
Albert Petreliuksenkatu 3
01370 Vantaa
Finland
Tel: 358-9-836-1925
FAX: 358-9-836-1935

**Cascade N.V.
European Headquarters**
P.O. Box 3009
1300 El Almere
Damsluisweg 56
1332 ED Almere
The Netherlands
Tel: 31-36-5492911
FAX: 31-36-5492964

**Cascade N.V.
Benelux Sales and Service**
P.O. Box 3009
1300 El Almere
Damsluisweg 56
1332 ED Almere
The Netherlands
Tel: 31-36-5492950
FAX: 31-36-5492974

Cascade (UK) Ltd.
15, Orgreave Crescent
Dore House Industrial Estate
Handsworth
Sheffield S13 9NQ
England
Tel: 742-697524
FAX: 742-695121

Cascade Scandinavia AB
Box 124
Hammarvägen 10
567 23 Vaggeryd
Sweden
Tel: 42-0-393-36950
FAX: 46-0-393-36959

Cascade Norway
Østerliveien 37A
1153 Oslo
Norway
Tel: 47-22-743160
FAX: 47-22-743157

Cascade France S.A.R.L.
1D Rue De Charaintru
BP 18, 91360 Epinay-Sur-Orge
Morangis Cedex, France
Tel: 33-1- 64547500
FAX: 33-1-64547501

Cascade Hispania S.A.
Carrer 5 Sector C
Zona Franca Duanera
Poligono de la Zon Franca
08040 Barcelona, Spain
Office No. 256
Tel: 93-264-07-30
FAX: 93-264-07-31

Cascade Japan Ltd.
5-5-41,
Torikai Kami
Settsu, Osaka
Japan, 566
Tel: 81-726-53-3490
FAX: 81-726-53-3497

Cascade Korea
108B, Namdong Ind Complex
658-3 Gojan-Dong
Namdong-Gu
Inchon, 405-310 Korea
Tel: 82-32-821-2051
FAX: 82-32-821-2055

Cascade Australia
1445 Ipswich Road
Rocklea, QLD 4106
Australia
Tel: 1-800227-223
FAX: (07) 3373-7333

Cascade New Zealand
15 Ra Ora Drive
East Tamaki, Auckland
New Zealand
Tel: 9-273-9136
FAX: 9-273-9137

Cascade (Africa) Pty. Ltd.
P.O. Box 625, Isando 1600
60A Steel Road
Sparton, Kempton Park
South Africa
Tel: 27-11-975-9240
FAX: 27-11-394-1147

Cascade-Xiamen
No. 668 Yangguang Rd.
Xinyang Industrial Zone
Haicang, Xiamen City
Fujian Province
P.R. China 361026
Tel: 86-592-651-2500
FAX: 86-592-651-2571

**Cascade (Singapore)
Trading Co.**
Four Seasons Park
Autumn Block - Apt. 1802
12 Cuscaden Walk
Singapore
Tel: 65-834-1935
FAX: 65-834-1936

