



Parts Manual

Model Single-Double Pallet Handler

Serial Number 55E-FDS-1172

cascade[®]
corporation

For Technical Assistance call: 800-227-2233, Fax: 888-329-8207

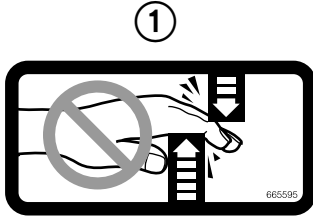
To Order Parts call: 888-227-2233, Fax: 888-329-0234

OR

Write: Cascade Corporation, P.O. Box 20187, Portland, OR 97220

Internet: www.cascorp.com

Decals



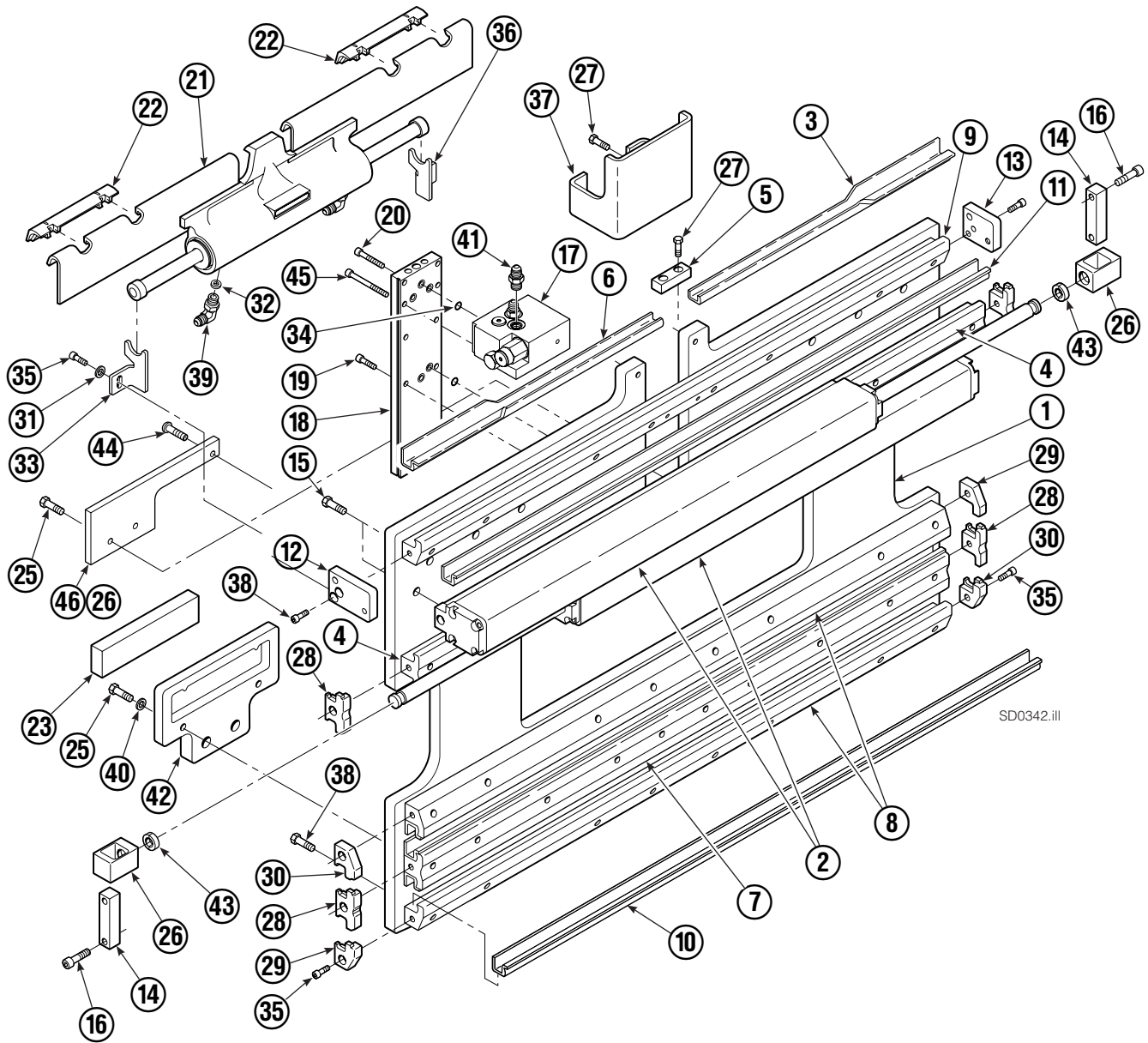
55E			
REF	QTY	PART NO.	DESCRIPTION
1	6	665595	No Hand Hold Decal
2	4	679150	No Step Decal

Publications



55E	
PART NO.	DESCRIPTION
214269	Parts Manual
213580	Operator's Guide
213372	Installation Instructions
679929	Tool Catalog
673964	Literature Index Order Form

Base Unit Group – ITA Class II



Base Unit Group – ITA Class II

55E			
REF	QTY	PART NO.	DESCRIPTION
		6104041	Base Unit Group – Class II
1	1	6101838	Baseplate
2	2	214620	Frame Cylinder ★
3	1	4786-0488	Bearing Segment – LH
4	2	214628	T-Bar – Upper (S-4640)
5	1	212722	Fork Stop
6	1	4787-0488	Bearing Segment – RH
7	2	210489	Rod End Anchor ■

REF	QTY	PART NO.	DESCRIPTION	REF	QTY	PART NO.	DESCRIPTION
8	4	768303	Capscrew, M10 x 35 ■	28	2	214633	T-Bar – Lower (S-4727)
9	4	210140	Bearing Retainer	29	2	212585	Bearing Retainer
10	14	787375	Capscrew, M8 x 20 GR 8.8	30	2	212586	Bearing Retainer
11	1	214631	T-Bar – Lower (S-4726)	31	2	787398	Washer
12	1	220009	Retainer/Stop – RH	32	1	564226	Washer
13	1	6101490	Retainer/Stop – LH	33	1	213737	Bracket – RH
14	4	4730-1050	Bearing Segment	34	7	214053	O-Ring
15	22	211689	Capscrew, M12 x 30 GR 10.9	35	4	4730-1040	Bearing Segment
16	1	220143	T-Bar – Upper (S-10241)	36	1	213736	Bracket – LH
17	1	216838	Valve Assembly ▲	37	1	6007050	Valve Guard
18	1	211456	Manifold	38	2	604511	Fitting, 6-6 ◆
19	8	768208	Capscrew, M8 x 25	39	2	601676	Fitting, 6-6 ◆
20	2	768800	Capscrew, M8 x 60	40	4	210490	Retainer Half Ring ■
21	1	6101329	Sideshift Cylinder ●	41	28	214487	Capscrew, M12 x 40
22	2	204187	Upper Bearing	42	2	215226	Hanger
23	2	208350	Lower Bearing	43	4	787383	Lockwasher, M10
24	1	6101889	Bearing, LH	45	—	—	Capscrew, M8 x 25
25	4	767615	Capscrew, M10 x 25	45	—	—	Capscrew, M8 x 70
26	2	209741	Rod End ■	46	1	6101900	Bearing, RH
27	2	684649	Capscrew, M10 x 25	47	2	6102443	Capscrew, M10 x 20

★ See Frame Cylinder page for parts breakdown.

▲ See Valve Assembly page for parts breakdown.

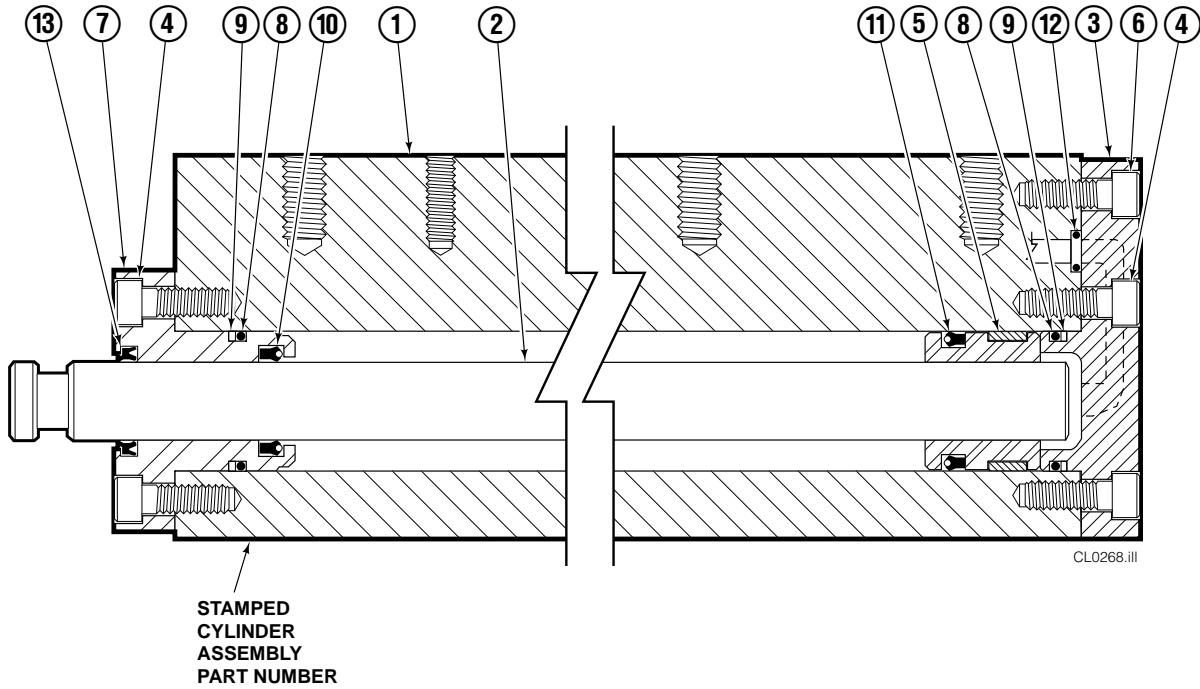
■ Included in Cylinder Rod Anchor Kit 213856.

● See Sideshift Cylinder page for parts breakdown.

◆ Included in Fitting Group 213099.

Reference: SK-6374. Common Parts Group, 6109418

Frame Cylinder



55E			
REF	QTY	PART NO.	DESCRIPTION
		214620	Cylinder Assembly
1	1	214621	Cylinder/Shell
2	1	4157-805	Rod
3	1	213783	End Cap
4	8	768208	Capscrew, M8 x 25
5	1	209809	Bearing ▲
6	1	787375	Capscrew, M8 x 20
7	1	212452	Retainer
8	3	643379	O-Ring ▲
9	2	210050	Back-Up Ring ▲
10	1	212477	Seal ▲
11	1	209808	Seal ▲
12	2	214053	O-Ring ▲
13	1	562131	Wiper ▲
		210090	Service Kit

▲ Included in Service Kit 210090.

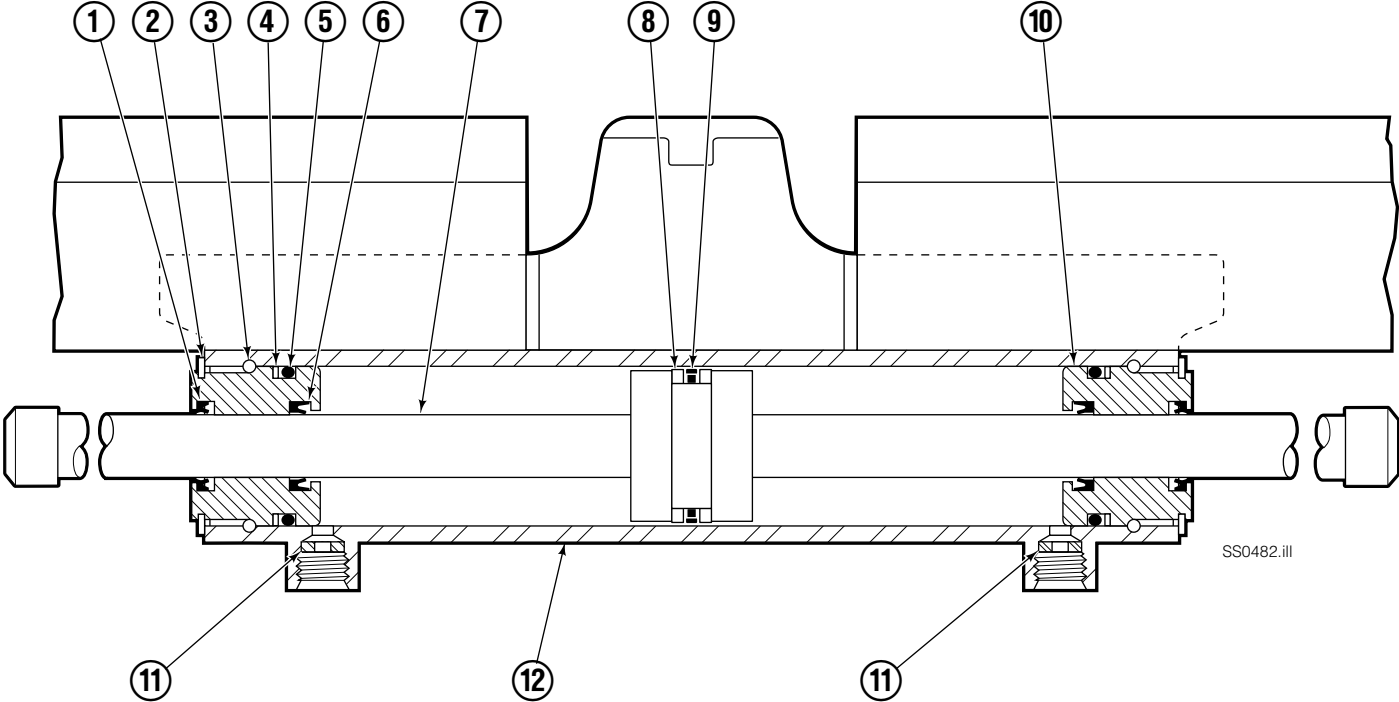
Reference: S-4643, S-4644.

Valve ITA Class III



55E			
REF	QTY	PART NO.	DESCRIPTION
		216838	Valve Assembly
1	1	219039	Check Valve
2	1	—	Service Kit
3	1	609234	Plug
4	1	216839	Valve Body
5	1	213535	Crossover Relief Valve
6	1	682170	Service Kit
7	1	219040	Flow Divider/Combiner
8	1	—	Service Kit

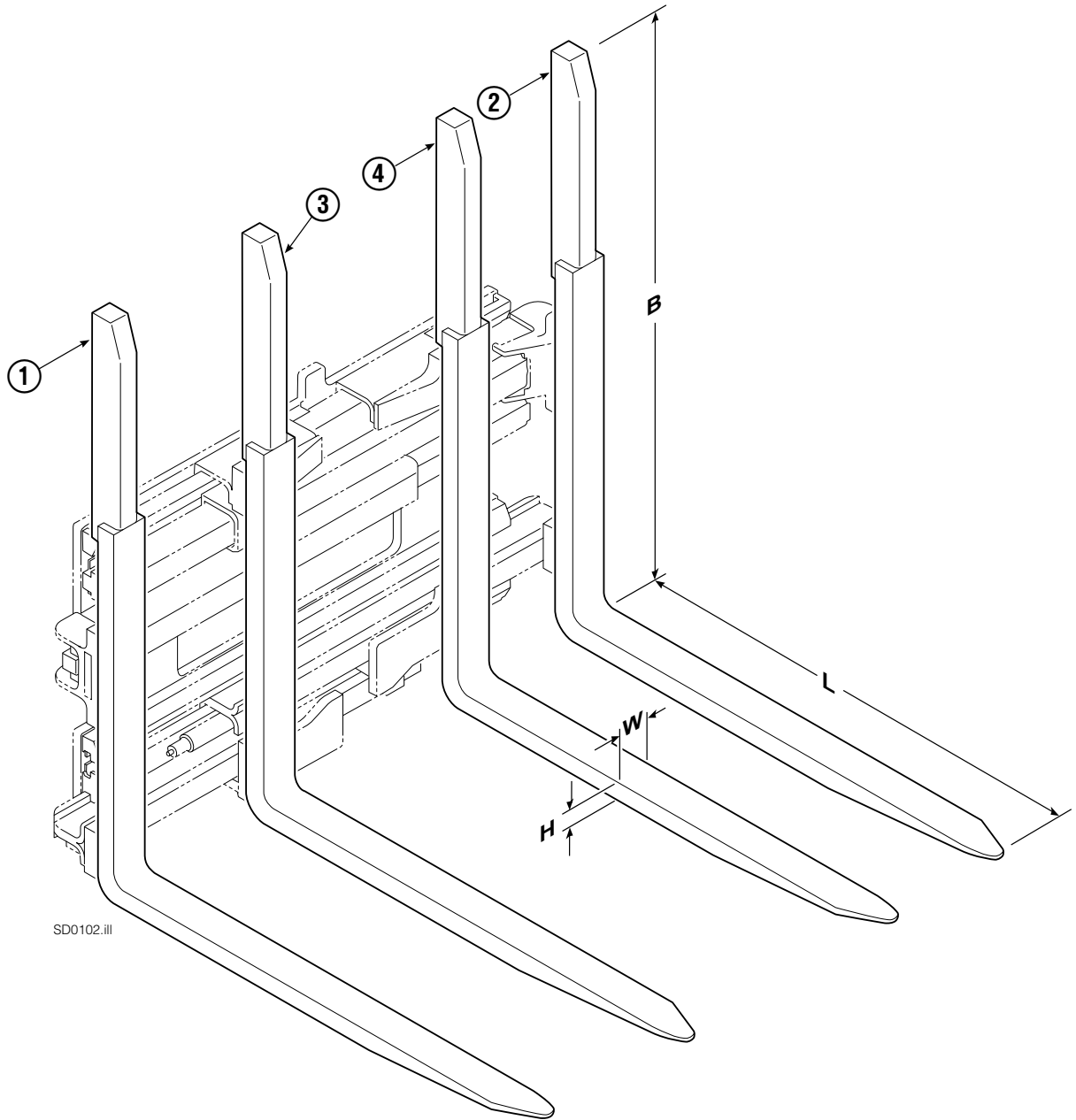
Sideshift Cylinder ITA Class II



55E			
REF	QTY	PART NO.	DESCRIPTION
		6101329	Cylinder Assembly
1	2	562131	Wiper Seal ●
2	2	562951	Snap Ring
3	2	562942	Retaining Ring
4	2	563388	Back-Up Ring ●
5	2	562127	O-Ring ●
6	2	562132	Rod Seal ●
7	1	562055	Rod
8	2	563278	Bearing Ring ●
9	1	564141	Piston Seal ●
10	2	562792	Retainer
11	2	564226	Speed Control Washer
12	1	562052	Cylinder Shell ■
13	2	208378	Rod End Cap
		563487	Service Kit

- Included in Service Kit 563487.
- Not serviceable, order new cylinder assembly.

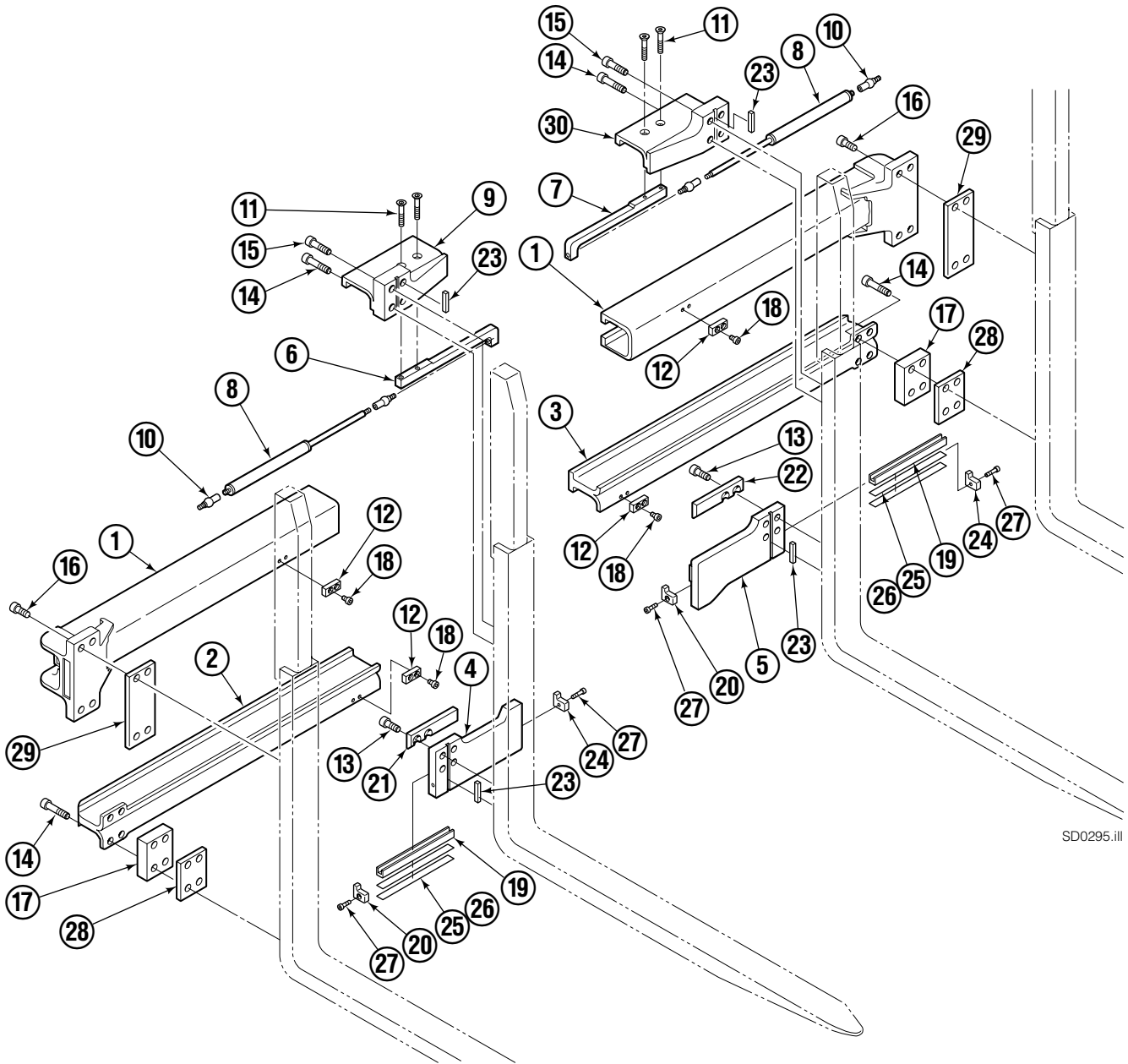
Tube Backrest/Fork Group



SD0102.iii

55E								
SIZE (IN.)				FORK GROUP PART NO.	REF 1	REF 2	REF 3	REF 4
B	W	H	L		Outer Fork-RH	Outer Fork-LH	Inner Fork-RH	Inner Fork-LH
60	3.2	1.8	52.1	212609	212769	212768	212809	212808

Arm Group



SD0295.ill

Arm Group

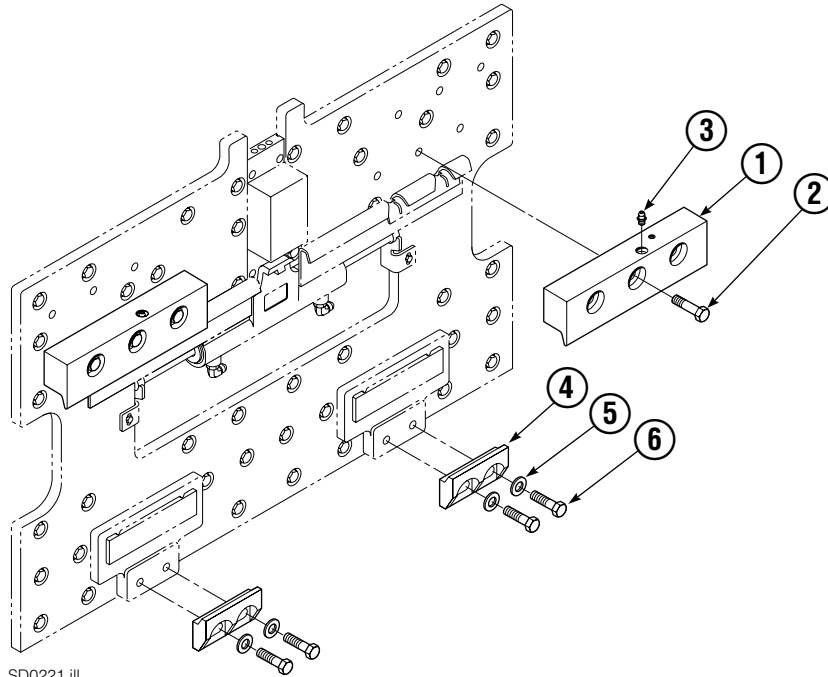
REF	QTY	PART NO.	DESCRIPTION
		6104469	Arm Group
1	2	220175	Upper Arm Bar
2	1	220214	Lower Arm Bar – RH
3	1	220204	Lower Arm Bar – LH
4	1	220135	Lower Hook – RH
5	1	220138	Lower Hook – LH
6	1	28088-0335	Bracket – RH
7	2	28087-0335	Bracket – LH
8	2	6104267	Gas Spring

Common Parts

REF	QTY	PART NO.	DESCRIPTION	REF	QTY	PART NO.	DESCRIPTION
9	1	220095	Upper Hook – RH	20	2	212979	Bearing Retainer
10	2	213011	Ball Joint	21	1	212682	Bearing – RH
11	4	766646	Capscrew, M10 x 20	22	1	213899	Bearing – LH
12	4	212687	Fork Stop	23	4	213364	Key
13	8	769574	Capscrew, M16 x 35	24	2	213360	Bearing Retainer
14	12	769578	Capscrew, M16 x 60	25	4	212559	Shim, .04 in. (1 mm)
15	4	769577	Capscrew, M16 x 50	26	4	213913	Shim, .02 in. (.5 mm)
16	8	769573	Capscrew, M16 x 30	27	4	787375	Capscrew, M8 x 20
17	2	210587	Spacer	28	4	797611	Spacer
18	4	214414	Capscrew, M10 x 12	29	4	797610	Spacer
19	2	4501-0222	Bearing Segment	30	1	6101471	Upper Hook – LH

Reference: SK-6373 and 6374. Common Parts Group 220285.

Mounting Group ITA Class II



SD0221.ill

55E			
REF	QTY	PART NO.	DESCRIPTION
		212569	Upper Hook Group ▲
		211173	Lower Hook Group ★
1	2	210591	Upper Hook
2	6	751511	Capscrew, M16 x 55
3	2	7403	Grease Fitting
4	2	675514	Lower Hook
5	4	678832	Washer
6	4	221304	Capscrew, M16 x 30

▲ Includes items 1 & 2.

★ Includes items 4-6.

Reference: SK-6373.

Do you have questions you need answered right now? Call your nearest Cascade Parts Department.

Cascade Corporation

2501 Sheridan Avenue
Springfield, OH 45505
Tel: 888-CASCADE (227-2233)
FAX: 888-329-0234
www.cascorp.com

Cascade Canada Inc.

5570 Timberlea Blvd.
Mississauga, Ontario
Canada L4W-4M6
Tel: 905-629-7777
FAX: 905-629-7785

Cascade GmbH

D-41199 Monchengladbach
Klosterhofweg 52
Germany
Tel: 49-216-668230
FAX: 49-216-6682323

Cascade Finland

Albert Petreliuksenkatu 3
01370 Vantaa
Finland
Tel: 358-9-836-1925
FAX: 358-9-836-1935

**Cascade N.V.
European Headquarters**

P.O. Box 3009
1300 El Almere
Damsluisweg 56
1332 ED Almere
The Netherlands
Tel: 31-36-5492911
FAX: 31-36-5492964

**Cascade N.V.
Benelux Sales and Service**

P.O. Box 3009
1300 El Almere
Damsluisweg 56
1332 ED Almere
The Netherlands
Tel: 31-36-5492950
FAX: 31-36-5492974

Cascade (UK) Ltd.

15, Orgreave Crescent
Dore House Industrial Estate
Handsworth
Sheffield S13 9NQ
England
Tel: 742-697524
FAX: 742-695121

Cascade Scandinavia AB

Box 124
Hammarvägen 10
567 23 Vaggeryd
Sweden
Tel: 42-0-393-36950
FAX: 46-0-393-36959

Cascade Norway

Østerliveien 37A
1153 Oslo
Norway
Tel: 47-22-743160
FAX: 47-22-743157

Cascade France S.A.R.L.

1D Rue De Charaintru
BP 18, 91360 Epinay-Sur-Orge
Morangis Cedex, France
Tel: 33-1- 64547500
FAX: 33-1-64547501

Cascade Hispania S.A.

Carrer 5 Sector C
Zona Franca Duanera
Poligono de la Zon Franca
08040 Barcelona, Spain
Office No. 256
Tel: 93-264-07-30
FAX: 93-264-07-31

Cascade Japan Ltd.

5-5-41,
Torikai Kami
Settsu, Osaka
Japan, 566
Tel: 81-726-53-3490
FAX: 81-726-53-3497

Cascade Korea

108B, Namdong Ind Complex
658-3 Gojan-Dong
Namdong-Gu
Inchon, 405-310 Korea
Tel: 82-32-821-2051
FAX: 82-32-821-2055

Cascade Australia

1445 Ipswich Road
Rocklea, QLD 4106
Australia
Tel: 1-800227-223
FAX: (07) 3373-7333

Cascade New Zealand

15 Ra Ora Drive
East Tamaki, Auckland
New Zealand
Tel: 9-273-9136
FAX: 9-273-9137

Cascade (Africa) Pty. Ltd.

P.O. Box 625, Isando 1600
60A Steel Road
Sparton, Kempton Park
South Africa
Tel: 27-11-975-9240
FAX: 27-11-394-1147

Cascade-Xiamen

No. 668 Yangguant Rd.
Xinyang Industry Zone
Haicant, Xiamen City
Fujian Province
P.R. China 361026
Tel: 86-592-651-2500
FAX: 86-592-651-2571

**Cascade (Singapore)
Trading Co.**

Four Seasons Park
Autumn Block - Apt. 1802
12 Cuscaden Walk
Singapore
Tel: 65-834-1935
FAX: 65-834-1936

