



# Parts Manual

---

Model \_\_\_\_\_ **Paper Roll Clamp**

Serial Number \_\_\_\_\_ **77F-RCP-01CR2**

---

**cascade**<sup>®</sup>  
**corporation**

**For Technical Assistance call:** 800-227-2233, Fax: 888-329-8207

**To Order Parts call:** 888-227-2233, Fax: 888-329-0234

**OR**

**Write:** Cascade Corporation, P.O. Box 20187, Portland, OR 97220

**Internet:** [www.cascorp.com](http://www.cascorp.com)

# Safety Decals

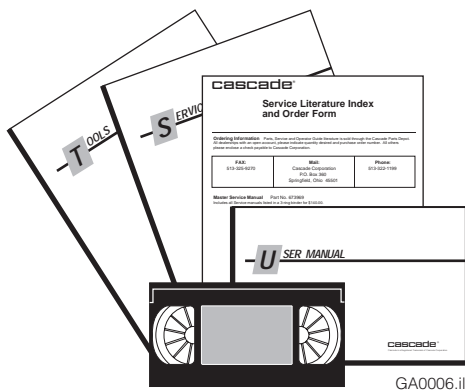


RC0636.ill



| Roll Clamp Safety Decals |     |          |                                   |
|--------------------------|-----|----------|-----------------------------------|
| REF                      | QTY | PART NO. | DESCRIPTION                       |
| 1                        | 6   | 665595   | No Hand Hold Decal                |
| 2                        | 3   | 660269   | Short Arm Rotation Position Decal |
| 3                        | 4   | 656038   | Caution Decal                     |
| 4                        | 4   | 679150   | No Step Decal                     |
| 5                        | 4   | 665677   | Trapped Pressure Decal            |
| 6                        | 1   | 679059   | Quick-Change Hook Decal           |

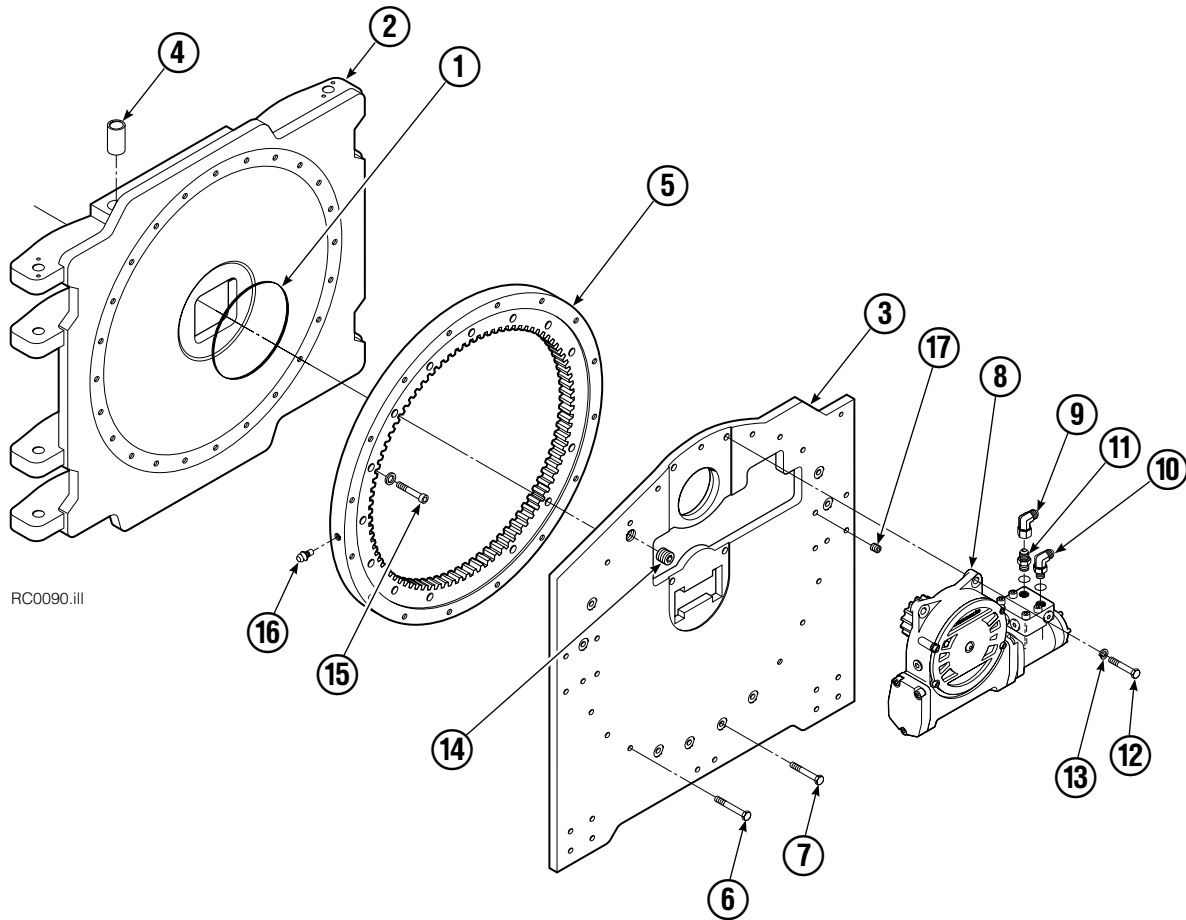
# Publications



GA0006.ill

| Roll Clamp Publications |   |
|-------------------------|---|
| 674512                  | Service Manual                          |
| 674509                  | Operator's Guide – Fixed Frame          |
| 676268                  | Operator's Guide – Swing Frame          |
| 674510                  | Installation Instructions – Fixed Frame |
| 674511                  | Installation Instructions – Swing Frame |
| 677555                  | Driver Training Video – VHS             |
| 678363                  | Troubleshooting Video – VHS             |
| 680664                  | Servicing Cascade Cylinders – VHS       |
| 679929                  | Tool Catalog                            |
| 673964                  | Literature Index Order Form             |

# Frame Group



RC0090.ill

| 77F |     |          |                                      |
|-----|-----|----------|--------------------------------------|
| REF | QTY | PART NO. | DESCRIPTION                          |
|     |     | 682202   | Frame Group                          |
| 1   | 1   | 670931   | Seal                                 |
| 2   | 1   | 682437   | Faceplate                            |
| 3   | 1   | 678381   | Baseplate                            |
| 4   | 8   | 675007   | Bushing                              |
| 5   | 1   | 672830   | Bearing Assembly                     |
| 6   | 13  | 643539   | Capscrew, .50 x 1.75                 |
| 7   | 11  | 643538   | Capscrew, .50 x 1.50                 |
| 8   | 1   | 795492   | Drive Group ●                        |
| 9   | 1   | 605761   | Fitting, 8-8                         |
| 10  | 1   | 601250   | Fitting, 8-8                         |
| 11  | 1   | 601377   | Fitting, 8-8                         |
| 12  | 4   | 661742   | Capscrew, .50 x 1.25                 |
| 13  | 17  | 6290     | Lockwasher                           |
| 14  | 1   | 6605     | Plug                                 |
| 15  | 24  | 4507     | Capscrew, .50 x 1.75                 |
| 16  | 1   | 7401     | Grease Fitting                       |
| 17  | 4   | 631385   | Plug                                 |
|     | 1   | 672842   | Bearing Service Kit (items 5 and 15) |

● See Drive Group page for parts breakdown.

Reference: Common Parts Group 675069.

# Drive Group



| REF | QTY | PART NO. | DESCRIPTION                     | REF | QTY | PART NO. | DESCRIPTION                         |
|-----|-----|----------|---------------------------------|-----|-----|----------|-------------------------------------|
|     |     | 795492   | Drive Group with 2.8 c.i. Motor | 19  | 1   | 206392   | Drive Motor – 2.8 c.i. ■            |
| 1   | 6   | 769570   | Capscrew, M12 x 25              | 20  | 4   | 4468     | Capscrew, 3/8 NC x .75 GR8          |
| 2   | 1   | 676855   | Cover                           | 21  | 1   | 670580   | Bearing                             |
| 3   | ●   | 674513   | Shim – .005" (blue)             | 22  | 1   | 675609   | Worm Gear                           |
| 4   | ●   | 670574   | Shim – .010" (brown)            | 23  | 1   | 670581   | Bearing                             |
| 5   | ●   | 671757   | Shim – .015" (pink)             | 24  | 1   | 7214     | Snap Ring                           |
| 6   | ●   | 671758   | Shim – .020" (yellow)           | 25  | 1   | 643423   | O-Ring                              |
| 7   | 2   | 670579   | Bearing                         | 26  | 1   | 775552   | Cover                               |
| 8   | 1   | 670582   | Key                             | 27  | 1   | 783609   | Seal                                |
| 9   | 1   | 670556   | Pinion                          | 28  | 1   | 783608   | Capscrew, M10 x 16                  |
| 10  | 1   | 775551   | Housing                         | 29  | 4   | 200882   | Capscrew, M8 x 20                   |
| 11  | 1   | 686465   | Gasket                          | 30  | 1   | 644010   | Relief Fitting                      |
| 12  | 1   | 675608   | Worm                            | 31  | 1   | 604510   | Fitting, 6                          |
| 13  | 1   | 775553   | Adapter                         | 32  | 1   | 656300   | Gear Box Lube – 48 oz.              |
| 14  | 2   | 2705     | O-Ring                          | 33  | 1   | 668184   | Sealant                             |
| 15  | 1   | 670549   | Check Valve ▲                   |     |     | 670578   | Shim Service Kit (items 3-6,25,33)  |
| 16  | 4   | 6444     | Lockwasher                      |     |     | 675637   | Bearing Service Kit (items 21 & 33) |
| 17  | 4   | 607059   | Capscrew, 5/16 NC x 1.75 GR8    |     |     | 675638   | Bearing Service Kit (items 3-7,25)  |
| 18  | 1   | 670575   | Gasket                          |     |     | 685227   | Motor Kit-4.5 (items 4,14,18)       |

● Quantity as required.

■ See Drive Motor page for parts breakdown.

▲ See Check Valve page for parts breakdown.

## Drive Motor



| REF | QTY | PART NO. | DESCRIPTION                  |
|-----|-----|----------|------------------------------|
|     |     | 206392   | Drive Motor                  |
| 1   | 1   | 675478   | Shaft                        |
| 2   | 1   | 675477   | Drive                        |
| 3   | 1   | 675479   | Spacer Plate                 |
| 4   | 1   | 675480   | ■ Gerotor Set (101-1768-007) |
| 4   | 1   | 685075   | ■ Gerotor Set (101-1768-009) |
| 5   | 1   | 675482   | End Cap                      |
| 6   | 1   | 206405   | ● Service Kit                |
| 7   | 1   | 685089   | ■ Flange (101-1768-007)      |
| 7   | 1   | 685090   | ■ Flange (101-1768-009)      |

Cascade provides service replacement parts for the listed parts only. Due to cost, if others parts need replacement, the complete drive motor should be replaced.

■ See Nameplate under valve for correct part number of Gerotor Set and Flange.

● Compatible with water glycol based hydraulic fluids.

## Check Valve



| REF | QTY | PART NO. | DESCRIPTION          |
|-----|-----|----------|----------------------|
|     |     | 670549   | Check Valve Assembly |
| 1   | 2   | 609453   | Fitting, 10          |
| 2   | 2   | 670552   | Spring               |
| 3   | 2   | 670551   | Guide                |
| 4   | 2   | 7020     | Ball                 |
| 5   | 2   | 602580   | Fitting, 8           |
| 6   | 2   | 673989   | Spring               |
| 7   | 1   | 670550   | Body                 |
| 8   | 1   | 670553   | Spool                |

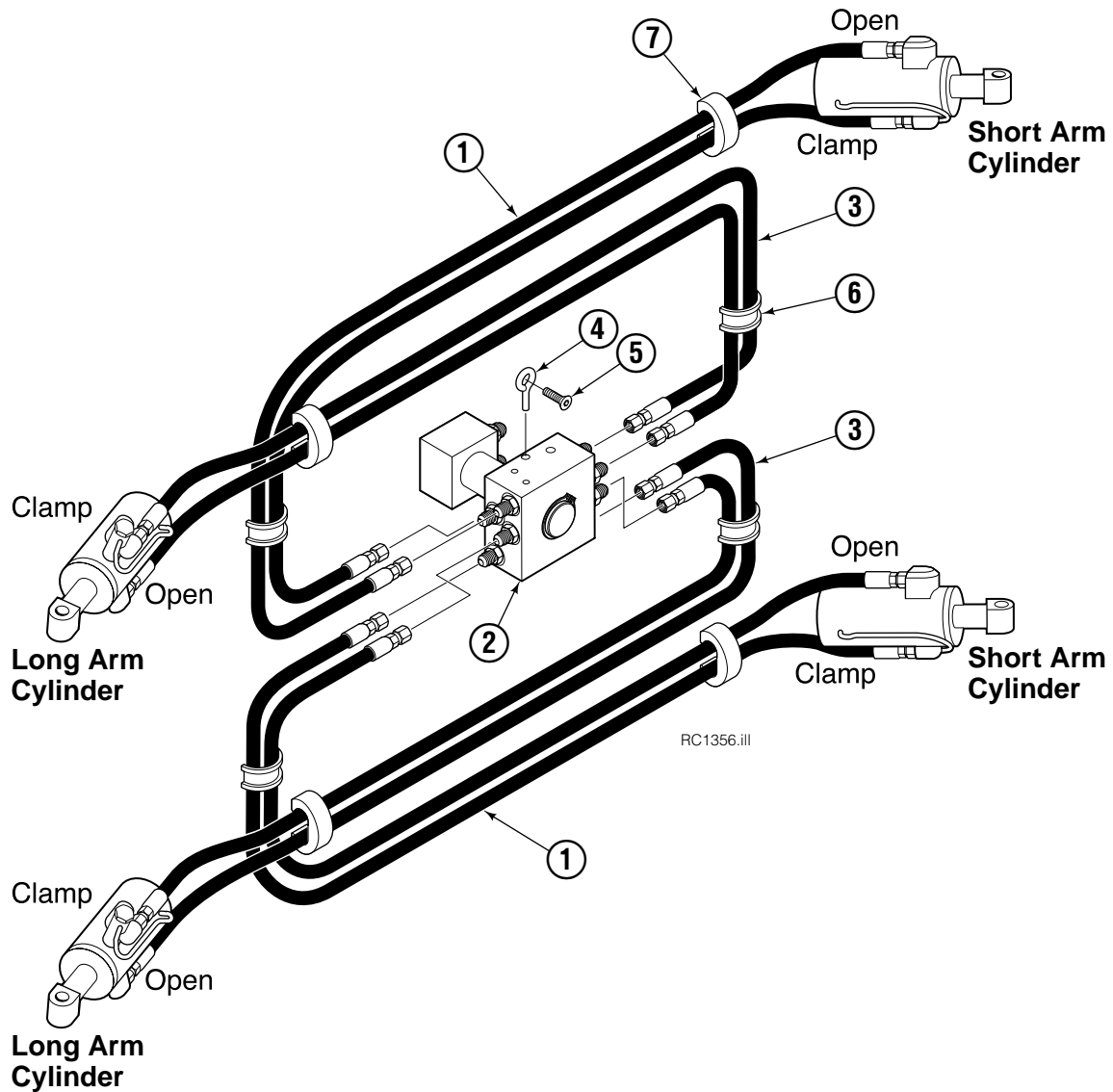
# Common Components Group



RC0126.ill

| 77F |     |          |                            |
|-----|-----|----------|----------------------------|
| REF | QTY | PART NO. | DESCRIPTION                |
|     |     | 680637   | Components Group           |
| 1   | 8   | 660200   | Shim                       |
| 2   | 24  | 4466     | Capscrew, 3/8 NC x .50 GR8 |
| 3   | 8   | 674828   | Retainer                   |
| 4   | 8   | 680651   | Pin                        |
| 5   | 8   | 673385   | Drive Pin                  |
| 6   | 4   | 674830   | Retainer                   |
| 7   | 4   | 675022   | Pin                        |
| 8   | 4   | 681673   | Spacer                     |
| 9   | 16  | 673379   | Shim                       |
| 10  | 4   | 675086   | Drive Pin                  |

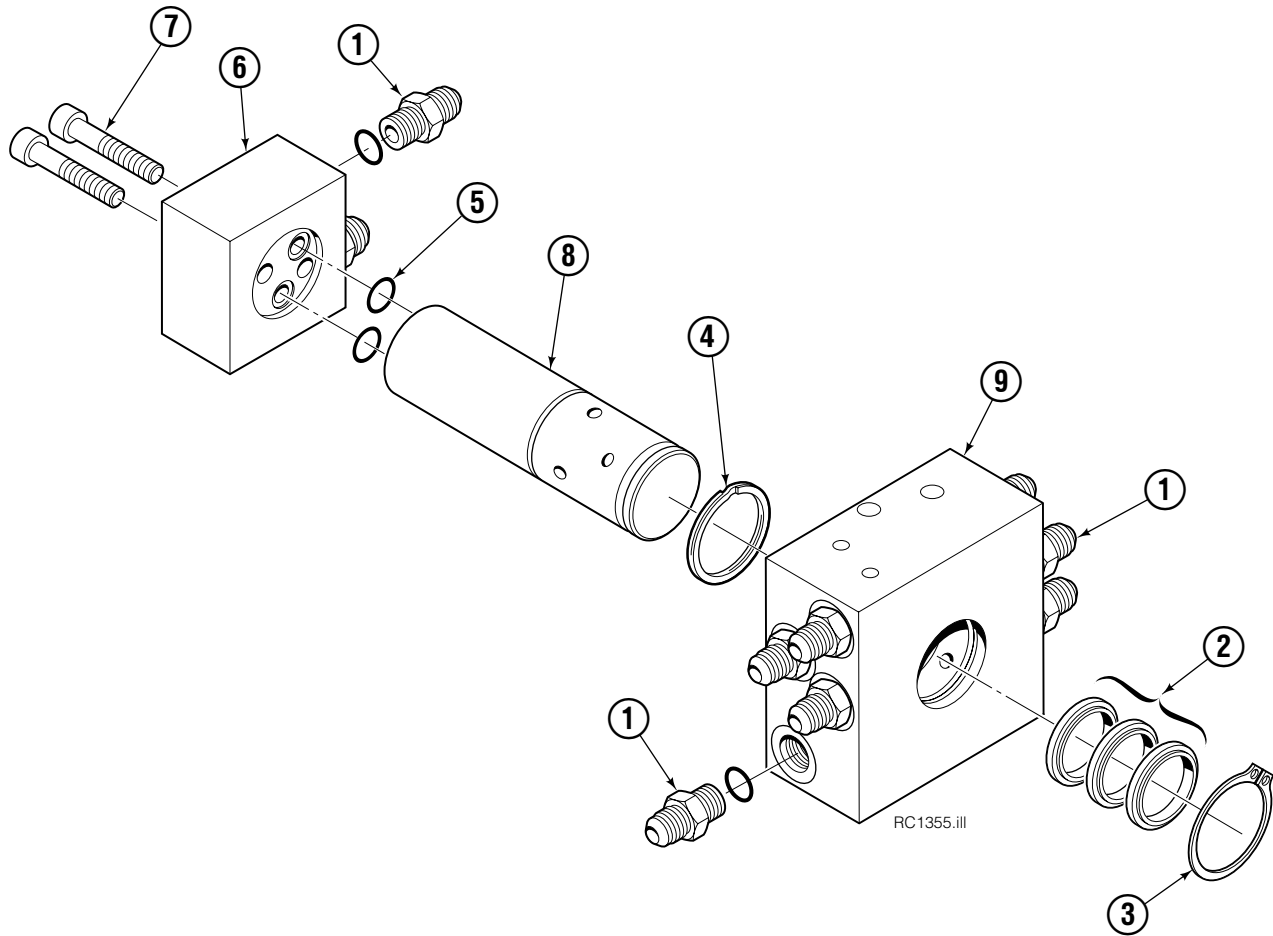
# Hosing Group Positioned Short Arm



| REF | QTY | PART NO. | DESCRIPTION            |
|-----|-----|----------|------------------------|
|     |     | 6025746  | Hosing Group           |
| 1   | 4   | 680239   | Hose, 63.75 in.        |
| 2   | 1   | 6023365  | Revolving Connection ▲ |
| 3   | 4   | 680238   | Hose, 58.75 in.        |
| 4   | 2   | 227962   | Eye Pin                |
| 5   | 2   | 4751     | Capscrew, .375 x 1.00  |
| 6   | 4   | 680114   | Insert                 |
| 7   | 4   | 673417   | Segment                |

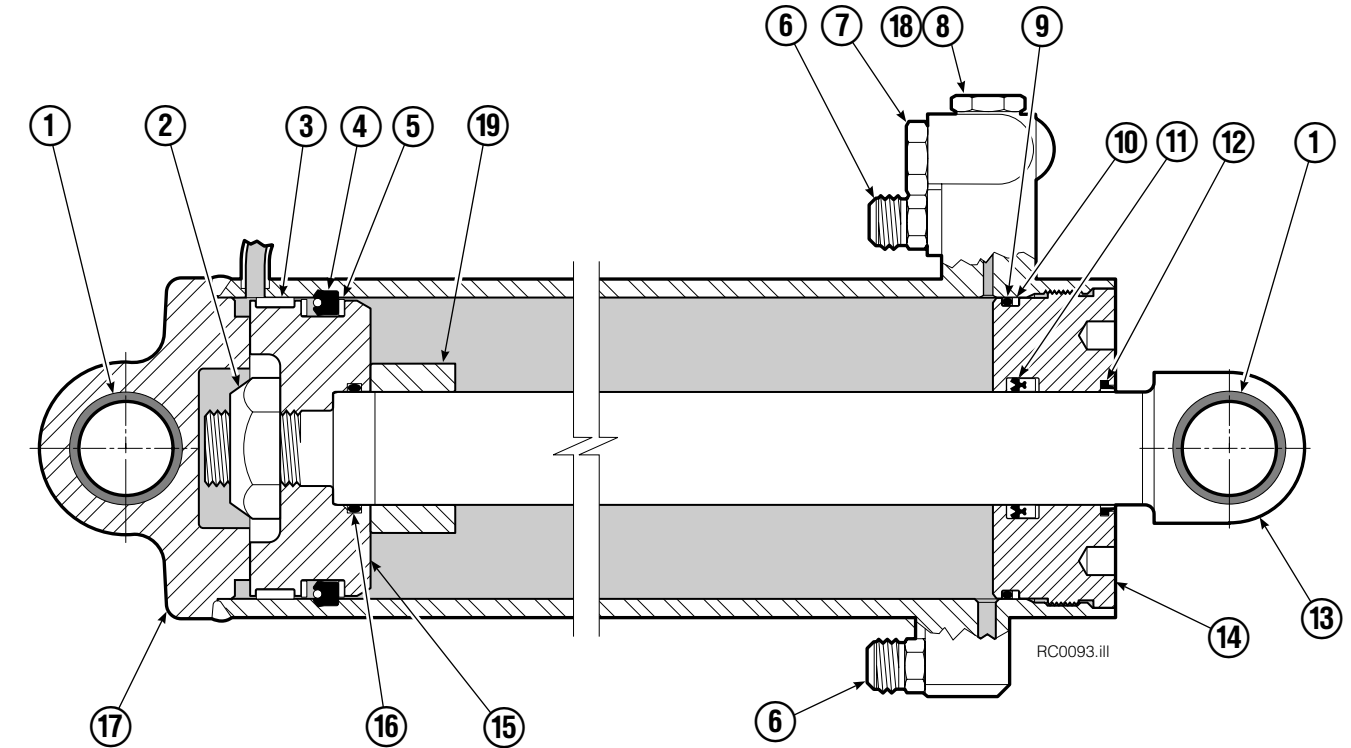
▲ See Revolving Connection page for parts breakdown.

# Revolving Connection



| REF | QTY | PART NO. | DESCRIPTION          |
|-----|-----|----------|----------------------|
|     |     | 6023365  | Revolving Connection |
| 1   | 10  | 604511   | Fitting, 6-6         |
| 2   | 3   | 214649   | Seal                 |
| 3   | 1   | 3138     | Snap Ring            |
| 4   | 1   | 7341     | Snap Ring            |
| 5   | 2   | 684587   | O-Ring               |
| 6   | 1   | 6023344  | End Block            |
| 7   | 2   | 768798   | Capscrew, M8 x 40    |
| 8   | 1   | 6023343  | Shaft                |
| 9   | 1   | 6023358  | Body                 |
|     |     | 222694   | Service Kit          |

# Short Arm Cylinder

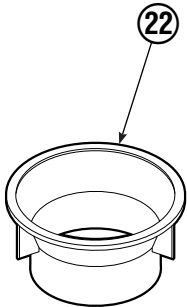


| REF | QTY | PART NO. | DESCRIPTION             |
|-----|-----|----------|-------------------------|
|     |     | 557363   | Cylinder Assembly       |
| 1   | 3   | 674843   | Bearing                 |
| 2   | 1   | 560997   | Nut                     |
| 3   | 1   | 674843   | ◆ Bearing               |
| 4   | 1   | 662462   | ◆ Seal                  |
| 5   | 2   | 638295   | ◆ Back-Up Ring          |
| 6   | 2   | 604511   | Fitting, 6-6            |
| 7   | 1   | 556852   | Fitting, 4              |
| 8   | 1   | 557212   | Check Valve             |
| 9   | 1   | 2801     | ◆ O-Ring                |
| 10  | 1   | 562731   | ◆ Back-Up Ring          |
| 11  | 1   | 554598   | ◆ Seal                  |
| 12  | 1   | 628047   | ◆ Wiper                 |
| 13  | 1   | 555393   | Rod                     |
| 14  | 1   | 555724   | Retainer                |
| 15  | 1   | 557389   | Piston                  |
| 16  | 1   | 2722     | ◆ O-Ring                |
| 17  | 1   | 555741   | Shell                   |
| 18  | 1   | 667516   | Check Valve Service Kit |
| 19  | 1   | —        | Spacer                  |
| 20  | 1   | 669243   | Seal Loader             |
|     |     | 555725   | Service Kit             |

◆ Included in Service Kit 555725.

Reference: S-5313, S-5314.

# Long Arm Cylinder

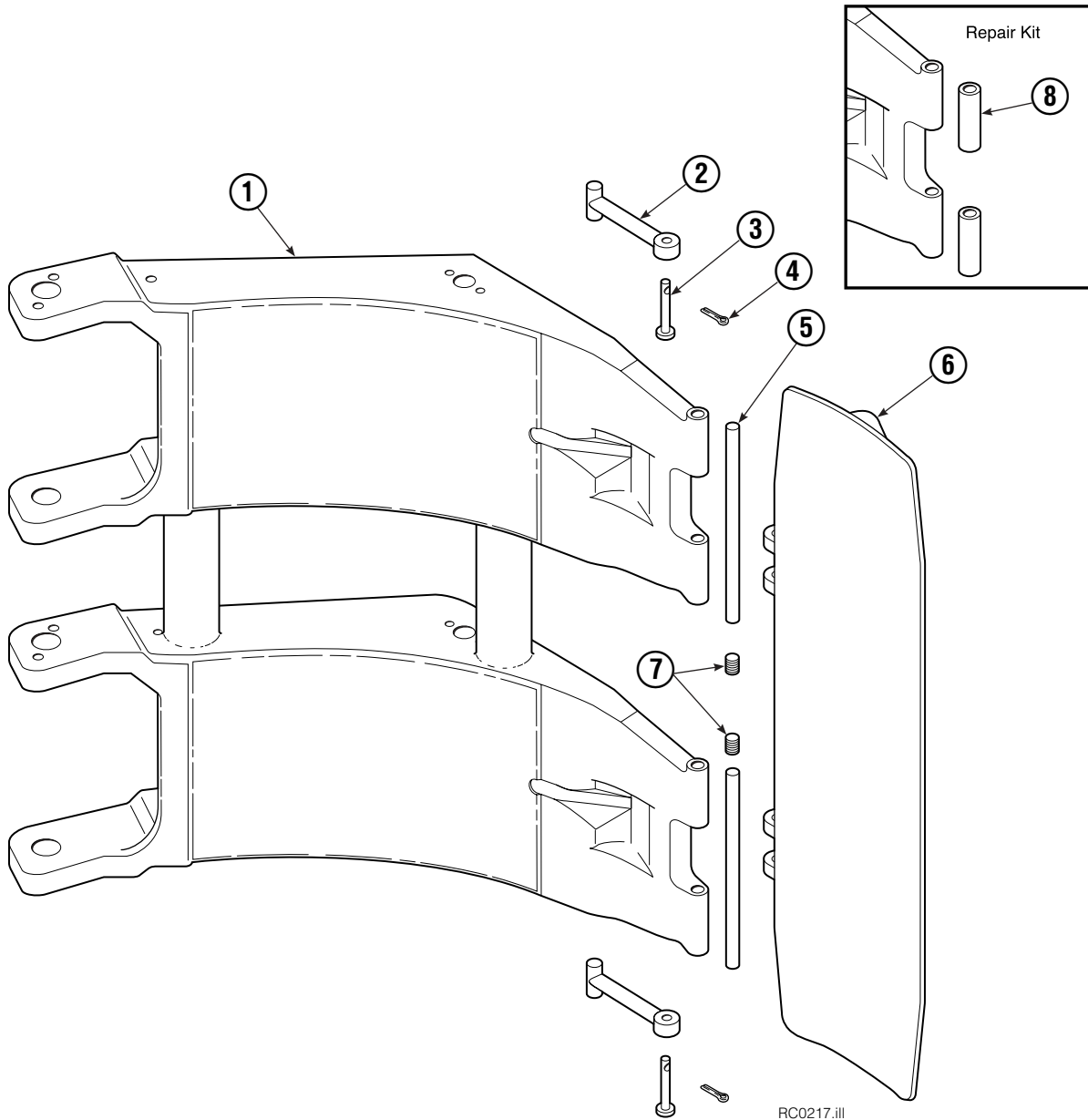


| REF | QTY | PART NO. | DESCRIPTION             |
|-----|-----|----------|-------------------------|
|     |     | 557380   | Cylinder Assembly       |
| 1   | 1   | 674843   | Bearing                 |
| 2   | 1   | 560997   | Nut                     |
| 3   | 1   | 660769   | ◆ Bearing               |
| 4   | 1   | 662462   | ◆ Seal                  |
| 5   | 2   | 638295   | ◆ Back-Up Ring          |
| 6   | 2   | 604511   | Fitting, 6-6            |
| 7   | 1   | 556852   | Fitting, 4              |
| 8   | 1   | 557212   | Check Valve             |
| 9   | 1   | 2801     | ◆ O-Ring                |
| 10  | 1   | 563977   | ◆ Back-Up Ring          |
| 11  | 1   | 554598   | ◆ Seal                  |
| 12  | 1   | 564930   | ◆ Wiper                 |
| 13  | 1   | 557399   | Rod                     |
| 14  | 1   | 555724   | Retainer                |
| 15  | 1   | 557389   | Piston                  |
| 16  | 1   | 2722     | ◆ O-Ring                |
| 17  | 1   | 555718   | Shell                   |
| 18  | 1   | 667516   | Check Valve Service Kit |
| 19  | 1   | —        | Spacer                  |
| 20  | 1   | —        | Spacer                  |
| 21  | 2   | 675006   | Bearing                 |
| 22  | 1   | 669243   | Seal Loader             |
|     |     | 555725   | Service Kit             |

◆ Included in Service Kit 555725.

Reference: S-5320, S-5321.

# Contact Pad Group & Short Arm

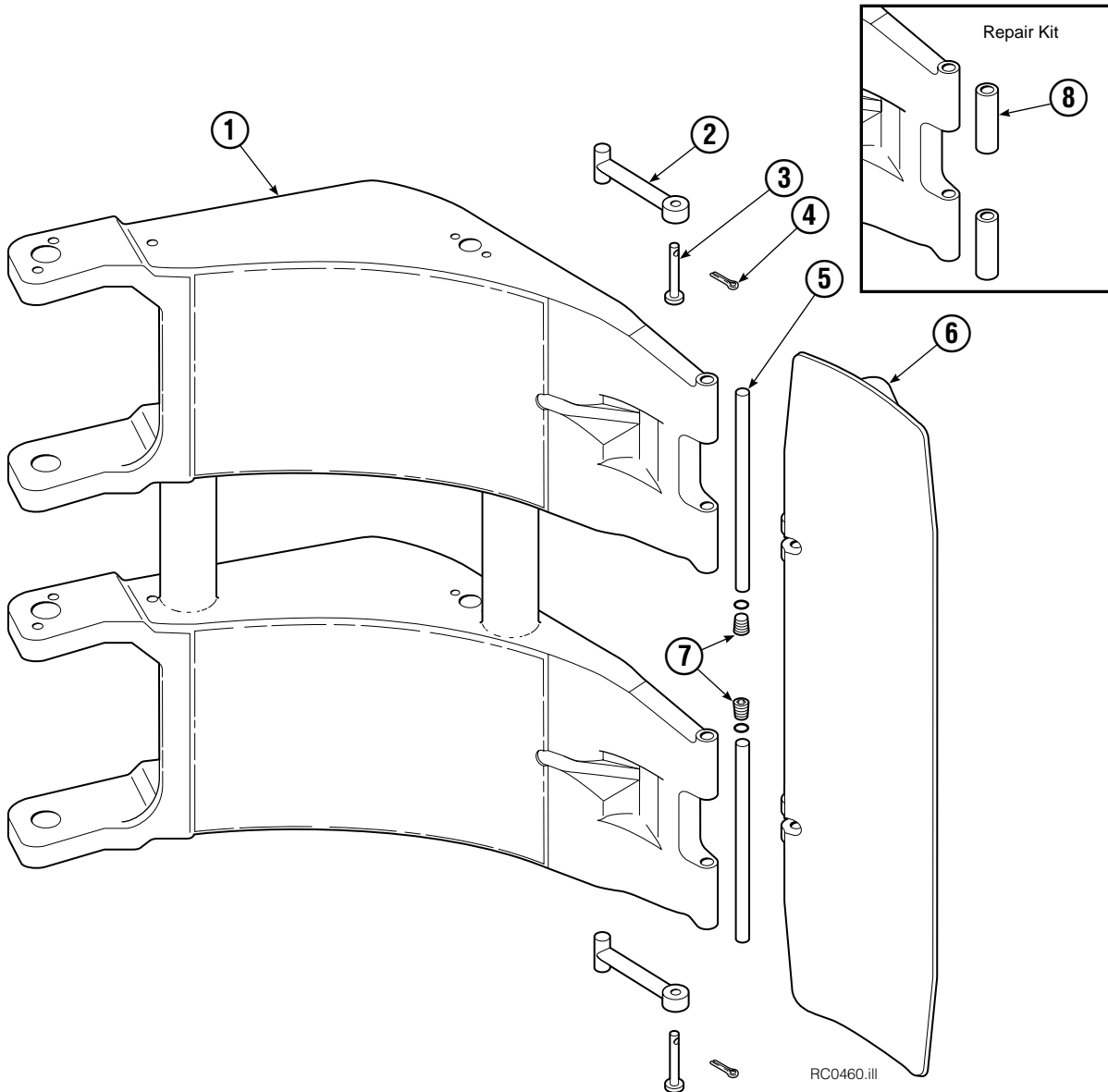


| REF | QTY | PART NO. | DESCRIPTION         |
|-----|-----|----------|---------------------|
|     |     | 674948   | Contact Pad Group ● |
| 1   | 1   | 678537   | Short Arm ▲         |
| 2   | 2   | 674994   | Link                |
| 3   | 2   | 682978   | Clevis Pin          |
| 4   | 2   | 6525     | Cotter Pin          |
| 5   | 2   | 674993   | Pin                 |
| 6   | 1   | 674962   | Contact Pad         |
| 7   | 2   | 689900   | Plug                |
| 8   | 1   | 676810   | Arm Tip Repair Kit  |

● Includes items 2-7.

▲ Not included in Contact Pad Group.

# Contact Pad Group & Long Arm

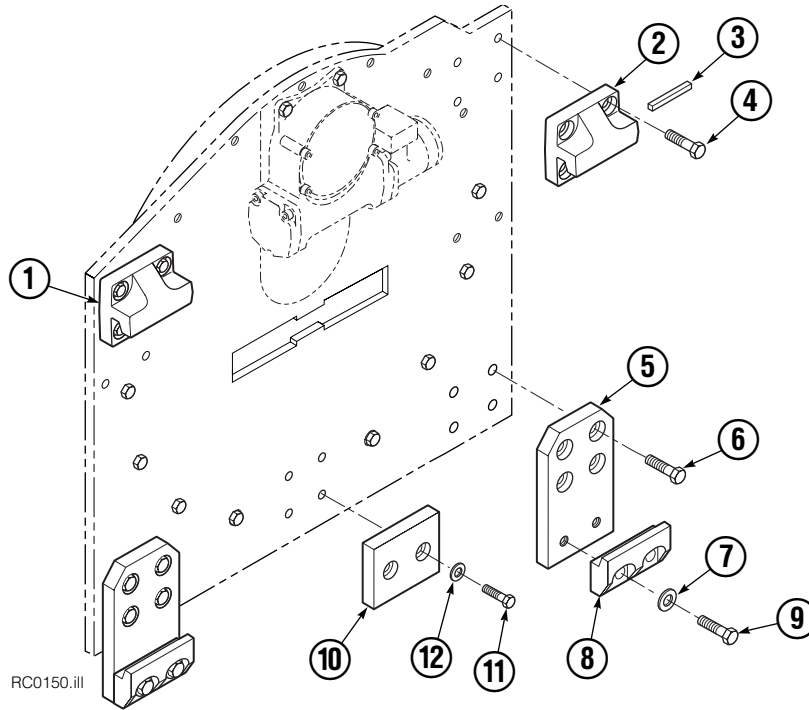


| REF | QTY | PART NO. | DESCRIPTION         |
|-----|-----|----------|---------------------|
|     |     | 206598   | Contact Pad Group ● |
| 1   | 1   | 680479   | Long Arm ▲          |
| 2   | 2   | 674994   | Link                |
| 3   | 2   | 682978   | Clevis Pin          |
| 4   | 2   | 6525     | Cotter Pin          |
| 5   | 2   | 674701   | Pin                 |
| 6   | 1   | 206601   | Contact Pad         |
| 7   | 2   | 689900   | Plug                |
| 8   | 1   | 676810   | Arm Tip Repair Kit  |

● Includes items 2-7.

▲ Not included in Contact Pad Group.

# Bolt-On Mounting Group



| Class IV, 0° |     |          |                         |
|--------------|-----|----------|-------------------------|
| REF          | QTY | PART NO. | DESCRIPTION             |
|              |     | 678504   | Mounting Group          |
| 1            | 1   | 675062   | Upper Hook – LH         |
| 2            | 1   | 675061   | Upper Hook – RH         |
| 3            | 1   | 670704   | Stop Kit                |
| 4            | 8   | 675078   | Capscrew, 3/4 NC x 1.50 |
| 5            | 2   | 675082   | Extension               |
| 6            | 8   | 673387   | Capscrew, 5/8 NC x 1.75 |
| 7            | 4   | 670692   | Washer                  |
| 8            | 2   | 679832   | Lower Hook              |
| 9            | 4   | 675079   | Capscrew, 3/4 NC x 2.00 |
| 10           | 1   | 675081   | Center Spacer           |
| 11           | 2   | 4472     | Capscrew, 3/8 NC x 1.50 |
| 12           | 2   | 6372     | Lockwasher, 3/8 in. ID  |

**Do you have questions you need answered right now?** Call your nearest Cascade Parts Department. Visit us online at [www.cascorp.com](http://www.cascorp.com)

**Cascade Corporation**  
2501 Sheridan Avenue  
Springfield, OH 45505  
Tel: 888-CASCADE (227-2233)  
FAX: 888-329-0234

**Cascade Canada Inc.**  
5570 Timberlea Blvd.  
Mississauga, Ontario  
Canada L4W-4M6  
Tel: 905-629-7777  
FAX: 905-629-7785

**Cascade GmbH**  
D-41199 Monchengladbach  
Klosterhofweg 52  
Germany  
Tel: 49-216-668230  
FAX: 49-216-6682323

**Cascade Finland**  
Albert Petreliuksenkatu 3  
01370 Vantaa  
Finland  
Tel: 358-9-836-1925  
FAX: 358-9-836-1935

**Cascade N.V.  
European Headquarters**  
P.O. Box 3009  
1300 El Almere  
Damsluisweg 56  
1332 ED Almere  
The Netherlands  
Tel: 31-36-5492911  
FAX: 31-36-5492964

**Cascade N.V.  
Benelux Sales and Service**  
P.O. Box 3009  
1300 El Almere  
Damsluisweg 56  
1332 ED Almere  
The Netherlands  
Tel: 31-36-5492950  
FAX: 31-36-5492974

**Cascade (UK) Ltd.**  
15, Orgreave Crescent  
Dore House Industrial Estate  
Handsworth  
Sheffield S13 9NQ  
England  
Tel: 742-697524  
FAX: 742-695121

**Cascade Scandinavia AB**  
Box 124  
Hammarvägen 10  
567 23 Vaggeryd  
Sweden  
Tel: 42-0-393-36950  
FAX: 46-0-393-36959

**Cascade Norway**  
Østerliveien 37A  
1153 Oslo  
Norway  
Tel: 47-22-743160  
FAX: 47-22-743157

**Cascade France S.A.R.L.**  
1D Rue De Charaintru  
BP 18, 91360 Epinay-Sur-Orge  
Morangis Cedex, France  
Tel: 33-1- 64547500  
FAX: 33-1-64547501

**Cascade Hispania S.A.**  
Carrer 5 Sector C  
Zona Franca Duanera  
Poligono de la Zon Franca  
08040 Barcelona, Spain  
Office No. 256  
Tel: 93-264-07-30  
FAX: 93-264-07-31

**Cascade Japan Ltd.**  
5-5-41,  
Torikai Kami  
Settsu, Osaka  
Japan, 566  
Tel: 81-726-53-3490  
FAX: 81-726-53-3497

**Cascade Korea**  
108B, Namdong Ind Complex  
658-3 Gojan-Dong  
Namdong-Gu  
Inchon, 405-310 Korea  
Tel: 82-32-821-2051  
FAX: 82-32-821-2055

**Cascade Australia**  
1445 Ipswich Road  
Rocklea, QLD 4106  
Australia  
Tel: 1-800227-223  
FAX: (07) 3373-7333

**Cascade New Zealand**  
15 Ra Ora Drive  
East Tamaki, Auckland  
New Zealand  
Tel: 9-273-9136  
FAX: 9-273-9137

**Cascade (Africa) Pty. Ltd.**  
P.O. Box 625, Isando 1600  
60A Steel Road  
Sparton, Kempton Park  
South Africa  
Tel: 27-11-975-9240  
FAX: 27-11-394-1147

**Cascade-Xiamen**  
No. 668 Yangguang Rd.  
Xinyang Industrial Zone  
Haicang, Xiamen City  
Fujian Province  
P.R. China 361026  
Tel: 86-592-651-2500  
FAX: 86-592-651-2571

**Cascade (Singapore)  
Trading Co.**  
Four Seasons Park  
Autumn Block - Apt. 1802  
12 Cuscaden Walk  
Singapore  
Tel: 65-834-1935  
FAX: 65-834-1936

