



# Parts Manual

---

Model Single-Double Pallet Handler

Serial Number 70E-FDS-006

---

**cascade**<sup>®</sup>  
**corporation**

**For Technical Assistance call:** 800-227-2233, Fax: 888-329-8207

**To Order Parts call:** 888-227-2233, Fax: 888-329-0234

**OR**

**Write:** Cascade Corporation, P.O. Box 20187, Portland, OR 97220

**Internet:** [www.cascorp.com](http://www.cascorp.com)

# Decals



70E			
REF	QTY	PART NO.	DESCRIPTION
1	6	665595	No Hand Hold Decal
2	4	679150	No Step Decal

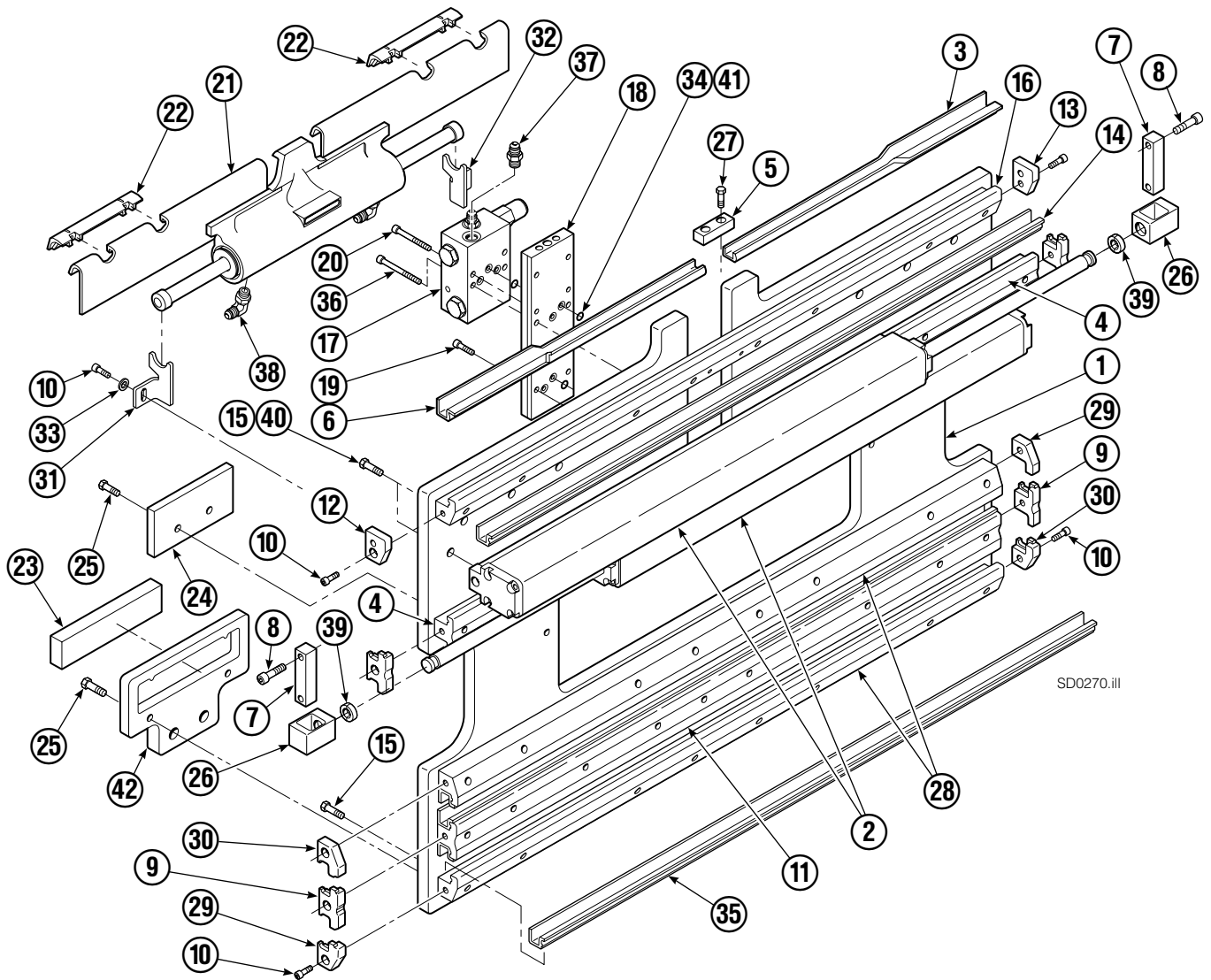
# Publications



70E	
PART NO.	DESCRIPTION
	Parts Manual
213580	Operator's Guide
213372	Installation Instructions
679929	Tool Catalog
673964	Literature Index Order Form

GA0006.eps

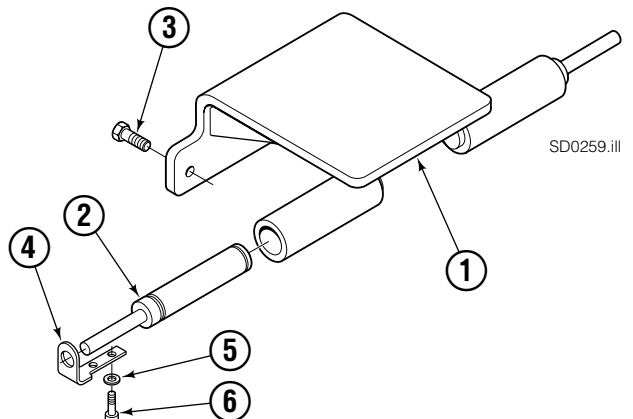
# Base Unit Group



## Inner Fork Control Group

70E			
REF	QTY	PART NO.	DESCRIPTION
		6010189	Inner Fork Control Group
1	1	6009377	Bracket
2	2	225395	Gas Cylinder
3	3	683821	Capscrew, M12 x 20
4	2	230791	Retainer
5	4	202346	Washer, M6
6	4	768785	Capscrew, M6 x 10

Reference: Actuator Assembly 6009376

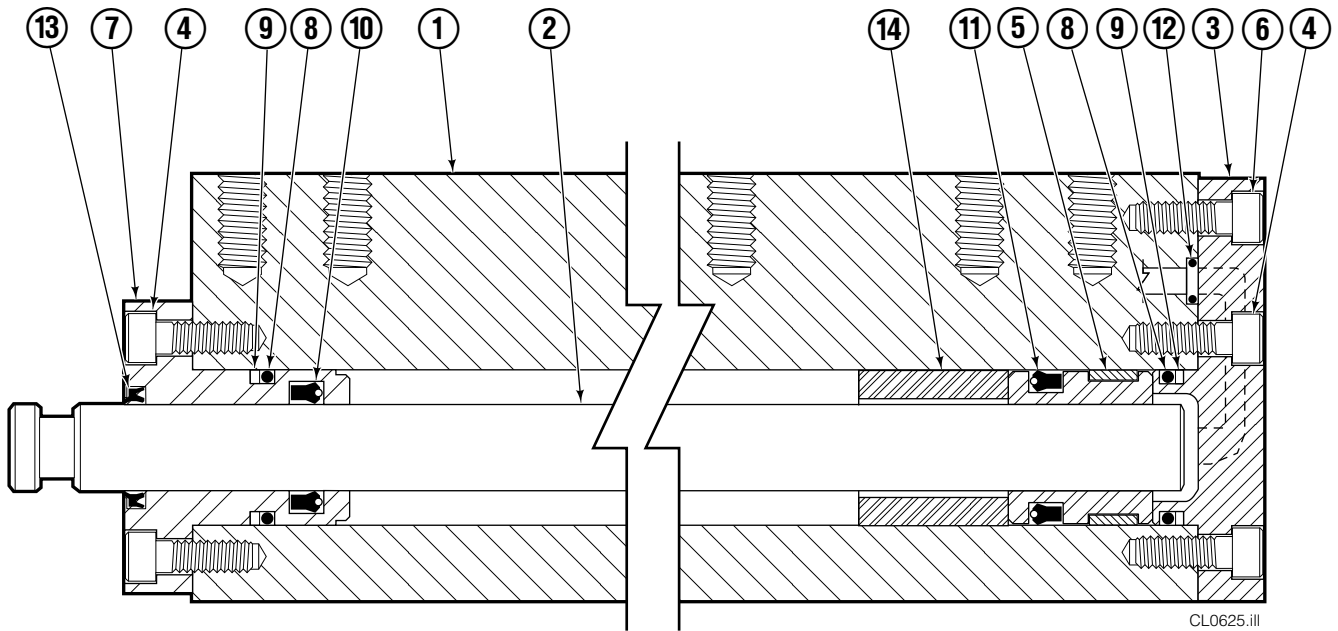


# Base Unit Group

70E			
REF	QTY	PART NO.	DESCRIPTION
		6010192	Base Unit Group
1	1	6009165	Baseplate
2	2	6009997	Frame Cylinder ★
3	1	4776-778	Bearing Segment – LH
4	2	6009202	T-Bar – Upper
5	1	6009866	Fork Stop
6	1	4777-778	Bearing Segment – RH
7	2	209844	Rod End Anchor
8	4	768828	Capscrew, M12 x 45
9	4	210141	Bearing Retainer
10	6	787375	Capscrew, M8 x 20
11	1	6009221	T-Bar – Lower
12	1	6005409	Retainer/Stop – RH
13	1	6005408	Retainer/Stop – LH
14	4	10603-1196	Bearing Segment
15	33	219529	Capscrew, M16 x 40
16	1	6009224	T-Bar – Upper
17	1	216835	Valve Assembly ▲
18	1	225408	Manifold
19	4	768208	Capscrew, M8 x 25
20	2	768800	Capscrew, M8 x 60
21	1	796247	Sideshift Cylinder ●
22	2	672018	Upper Bearing
23	2	208350	Lower Bearing
24	2	212709	Spacer Block
25	8	767615	Capscrew, M10 x 25
26	2	209843	Rod End
27	2	684649	Capscrew, M10 x 25
28	2	6009225	T-Bar – Lower
29	2	223937	Bearing Retainer
30	2	223938	Bearing Retainer
31	1	225441	Bracket – RH
32	1	225440	Bracket – LH
33	2	787398	Washer, M8
34	3	214053	O-Ring
35	4	10603-1188	Bearing Segment
36	2	768802	Capscrew, M8 x 70
37	2	604511	Fitting, 6-6 ◆
38	2	601676	Fitting, 6-6 ◆
39	4	209850	Retainer Half Ring
40	19	211128	Capscrew, M16 x 30
41	4	564448	O-Ring
42	2	215226	Hanger

- ★ See Frame Cylinder page for parts breakdown.
- ▲ See Valve Assembly page for parts breakdown.
- See Sideshift Cylinder page for parts breakdown.
- ◆ Included in Fitting Group 213099.

# Cylinder

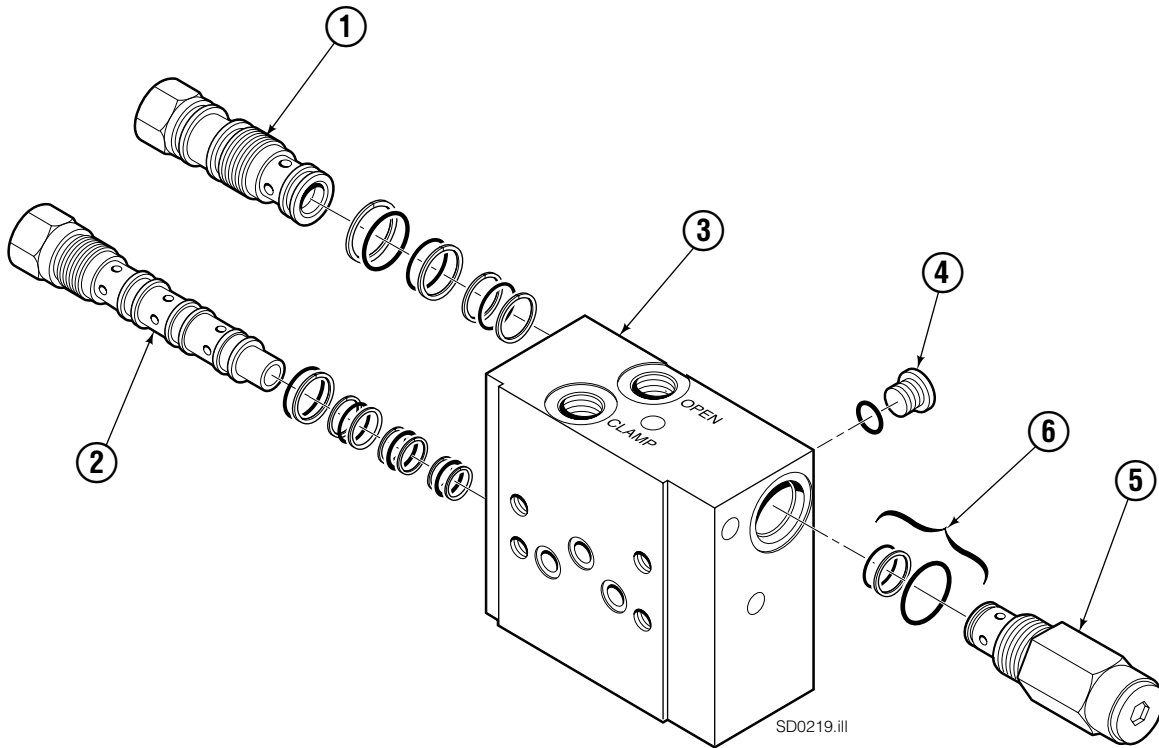


70E							
REF	QTY	PART NO.	DESCRIPTION	REF	QTY	PART NO.	DESCRIPTION
		6009997	Cylinder Assembly	8	3	210088	O-Ring ▲
1	1	6009178	Cylinder/Shell	9	2	564601	Back-Up Ring ▲
2	1	4126-0894	Rod	10	1	212478	Seal ▲
3	1	209744	Cap	11	1	564349	Seal ▲
4	8	768208	Capscrew, M8 x 25	12	2	564448	O-Ring ▲
5	1	209748	Bearing ▲	13	1	564408	Wiper ▲
6	1	787375	Capscrew, M8 x 20	14	1	4273-0041	Spacer
7	1	212449	Retainer			209771	Service Kit

▲ Included in Service Kit 209771.

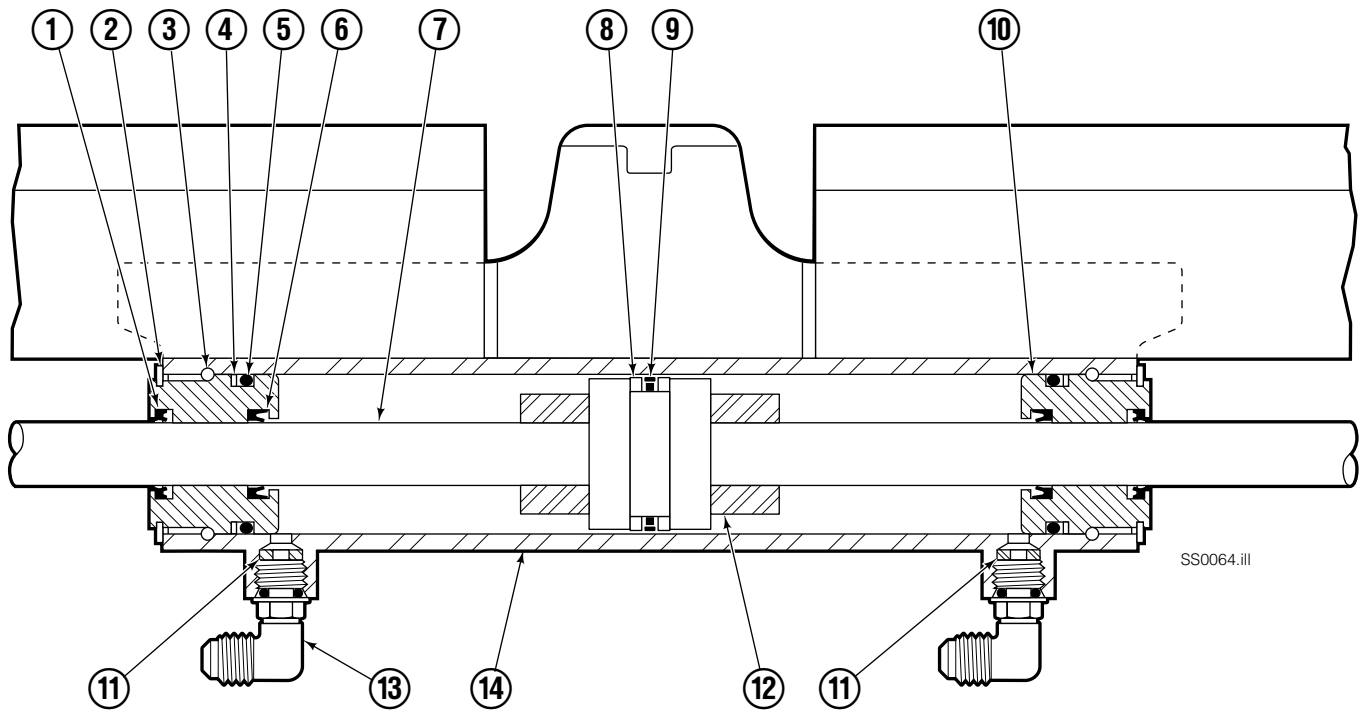
Reference: S-4117, S-4118.

# Valve ITA Class II

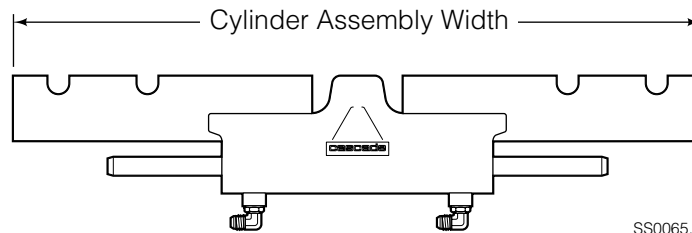


70E			
REF	QTY	PART NO.	DESCRIPTION
		216835	Valve Assembly
1	1	219039	Check Valve
2	1	219040	Flow Divider/Combiner
3	1	216836	Valve Body
4	1	609234	Plug
5	1	213535	Crossover Relief Valve
6	1	682170	Service Kit

# Cylinder



SS0064.ill



SS0065.ill

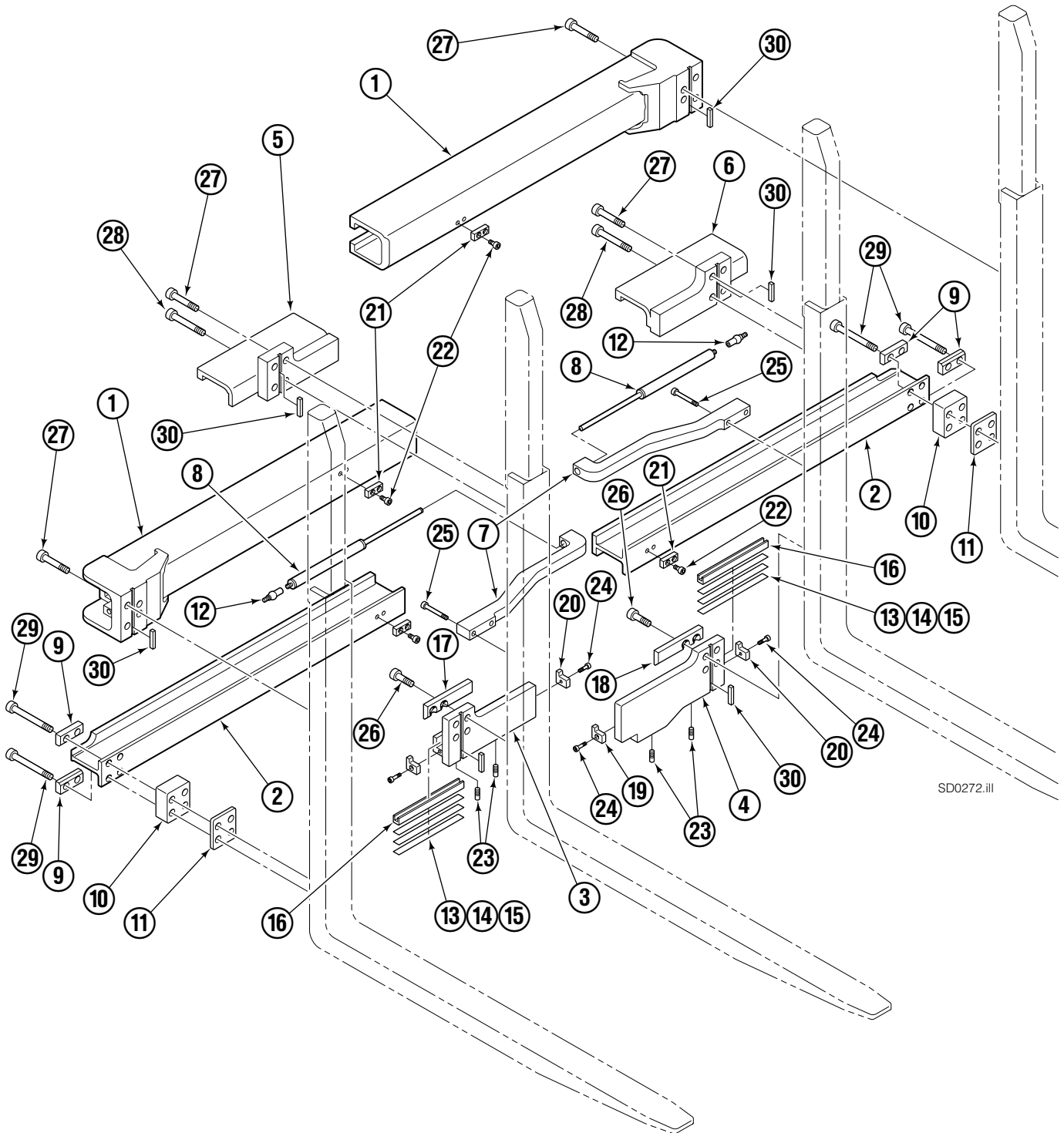
## 70E

REF	QTY	PART NO.	DESCRIPTION	REF	QTY	PART NO.	DESCRIPTION
		796247	Cylinder Assembly, 40 in. (1020 mm)	8	2	564404	● Bearing Ring
1	2	564408	● Wiper Seal	9	1	564407	● Piston Seal
2	2	3154	Snap Ring	10	2	564402	Retainer
3	2	564403	Retaining Ring	11	1	205369	Speed Control Washer
4	2	615131	● Back-Up Ring	12	2	—	Spacer
5	2	2789	● O-Ring	13	2	601676	Fitting, JIC 6-6
6	2	564406	● Rod Seal	14	—	■	Cylinder Shell
7	1	564401	Rod			564409	Service Kit

● Included in Service Kit 564409.

■ Not serviceable, order new cylinder assembly.

# Arm Group



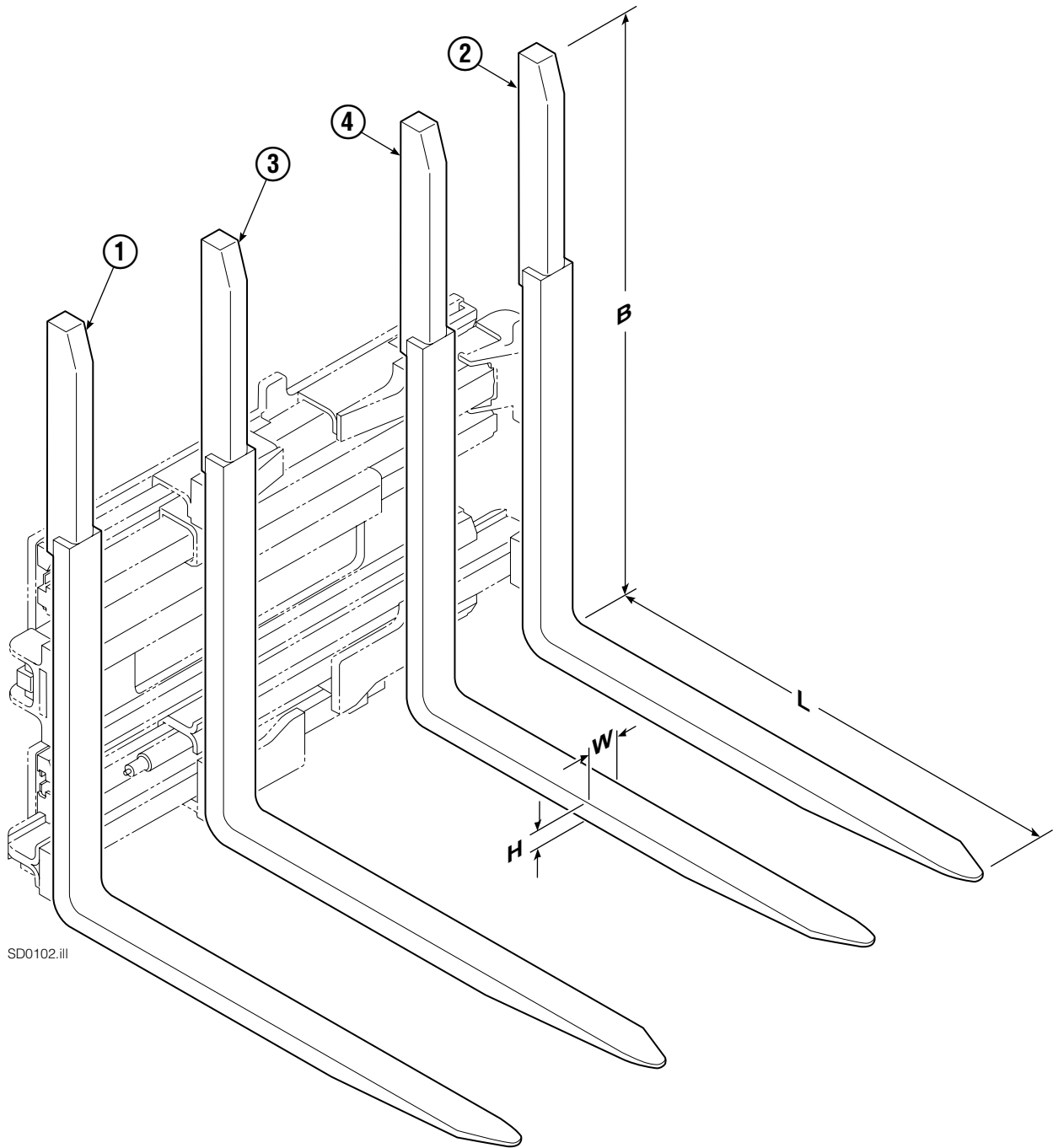
SD0272.iii

# Arm Group

70E			
REF	QTY	PART NO.	DESCRIPTION
		6007722	Arm Group
1	2	6009241	Arm Bar – Upper
2	2	6009296	Arm Bar – Lower
3	1	6009304	Lower Hook – RH
4	1	6009929	Lower Hook – LH
5	1	6009286	Upper Hook – RH
6	1	6009936	Upper Hook – LH
7	2	6006068	Bracket
8	2	224175	Gas Cylinder
9	4	226948	Reinforcing Plate
10	2	226949	Spacer
11	4	228394	Spacer
12	2	224189	Ball Joint
13	2	228395	Shim, 2 mm.
14	4	212559	Shim, 1 mm.
15	4	213913	Shim, .05 mm.
16	2	4501-0222	Bearing Segment
17	1	212682	Bearing – RH
18	1	213899	Bearing – LH
19	2	212979	Bearing Retainer
20	2	213360	Bearing Retainer
21	4	212687	Fork Stop
22	8	214414	Capscrew, M10 x 12
23	4	768755	Setscrew, M12 x 16
24	4	787375	Capscrew, M8 x 20
25	4	768813	Capscrew, M10 x 55
26	8	769574	Capscrew, M16 x 35
27	12	769577	Capscrew, M16 x 50
28	4	769578	Capscrew, M16 x 60
29	8	228400	Capscrew, M16 x 80
30	6	213364	Key

Reference: Common Parts Group 228397.

# Tube Backrest/Fork Group

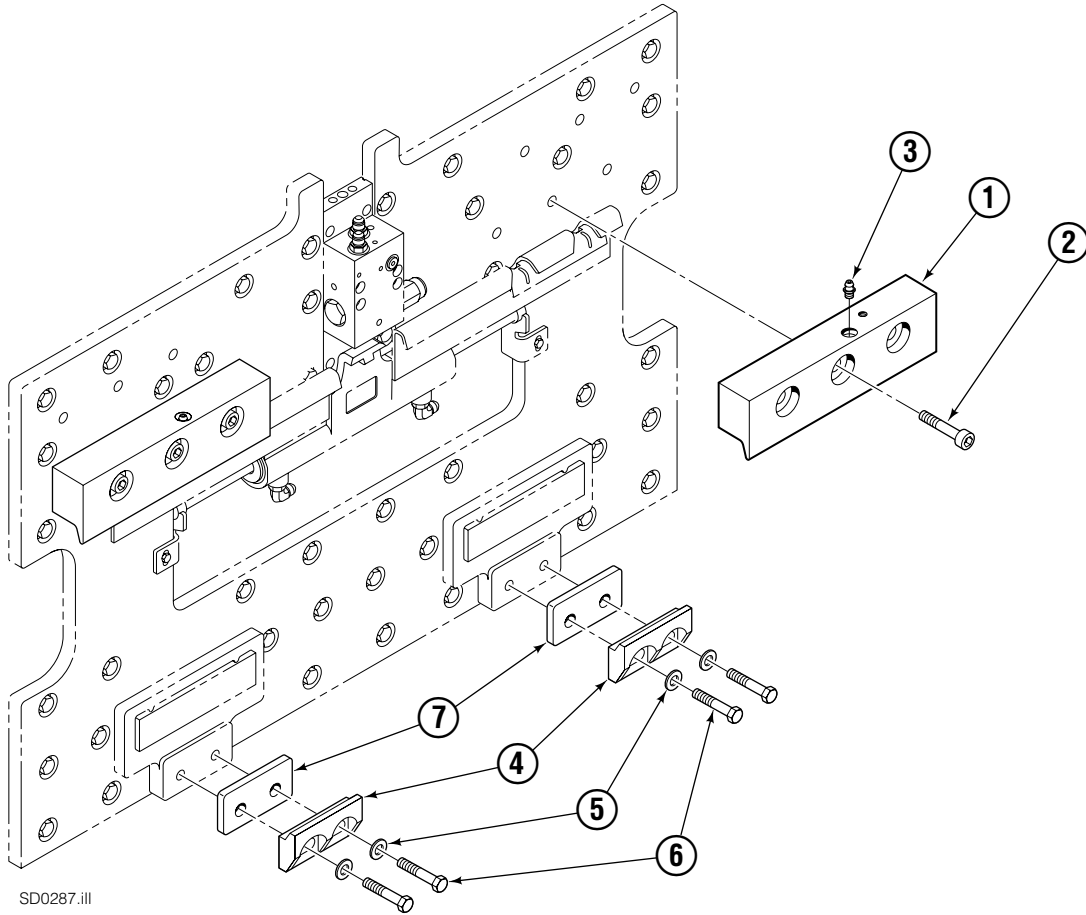


SD0102.ill

70E			
REF	QTY	PART NO.	DESCRIPTION
		6104741	Backrest and Fork Group
1	1	6104743	Outer Fork - RH
2	1	6104742	Outer Fork - LH
3	1	6104745	Inner Fork - RH
4	1	6104744	Inner Fork - LH

Reference: S-28077, 28078, 28079, 28080, 28081, 28082.

# Mounting Group ITA Class III



70E			
REF	QTY	ITA III PART NO.	DESCRIPTION
		6103288	Upper Hook Group ▲
		6104909	Lower Hook Group ★
1	2	218206	Upper Hook
2	6	229187	Capscrew, M16 x 70
3	2	7403	Grease Fitting
4	2	675969	Lower Hook
5	4	667225	Washer
6	4	751511	Capscrew, M16 x 55
7	2	6104878	Spacer

▲ Includes items 1 and 2.

★ Includes items 4-7.

**Do you have questions you need answered right now?** Call your nearest Cascade Parts Department. Visit us online at [www.cascorp.com](http://www.cascorp.com)

**Cascade Corporation**  
2501 Sheridan Avenue  
Springfield, OH 45505  
Tel: 888-CASCADE (227-2233)  
FAX: 888-329-0234

**Cascade Canada Inc.**  
5570 Timberlea Blvd.  
Mississauga, Ontario  
Canada L4W-4M6  
Tel: 905-629-7777  
FAX: 905-629-7785

**Cascade GmbH**  
D-41199 Monchengladbach  
Klosterhofweg 52  
Germany  
Tel: 49-216-668230  
FAX: 49-216-6682323

**Cascade Finland**  
Albert Petreliuksenkatu 3  
01370 Vantaa  
Finland  
Tel: 358-9-836-1925  
FAX: 358-9-836-1935

**Cascade N.V.  
European Headquarters**  
P.O. Box 3009  
1300 El Almere  
Damluisweg 56  
1332 ED Almere  
The Netherlands  
Tel: 31-36-5492911  
FAX: 31-36-5492964

**Cascade N.V.  
Benelux Sales and Service**  
P.O. Box 3009  
1300 El Almere  
Damluisweg 56  
1332 ED Almere  
The Netherlands  
Tel: 31-36-5492950  
FAX: 31-36-5492974

**Cascade (UK) Ltd.**  
15, Orgreave Crescent  
Dore House Industrial Estate  
Handsworth  
Sheffield S13 9NQ  
England  
Tel: 742-697524  
FAX: 742-695121

**Cascade Scandinavia AB**  
Box 124  
Hammarvägen 10  
567 23 Vaggeryd  
Sweden  
Tel: 42-0-393-36950  
FAX: 46-0-393-36959

**Cascade Norway**  
Østerliveien 37A  
1153 Oslo  
Norway  
Tel: 47-22-743160  
FAX: 47-22-743157

**Cascade France S.A.R.L.**  
1D Rue De Charaintru  
BP 18, 91360 Epinay-Sur-Orge  
Morangis Cedex, France  
Tel: 33-1- 64547500  
FAX: 33-1-64547501

**Cascade Hispania S.A.**  
Carrer 5 Sector C  
Zona Franca Duanera  
Poligono de la Zon Franca  
08040 Barcelona, Spain  
Office No. 256  
Tel: 93-264-07-30  
FAX: 93-264-07-31

**Cascade Japan Ltd.**  
5-5-41,  
Torikai Kami  
Settsu, Osaka  
Japan, 566  
Tel: 81-726-53-3490  
FAX: 81-726-53-3497

**Cascade Korea**  
108B, Namdong Ind Complex  
658-3 Gojan-Dong  
Namdong-Gu  
Inchon, 405-310 Korea  
Tel: 82-32-821-2051  
FAX: 82-32-821-2055

**Cascade Australia**  
1445 Ipswich Road  
Rocklea, QLD 4106  
Australia  
Tel: 1-800227-223  
FAX: (07) 3373-7333

**Cascade New Zealand**  
15 Ra Ora Drive  
East Tamaki, Auckland  
New Zealand  
Tel: 9-273-9136  
FAX: 9-273-9137

**Cascade (Africa) Pty. Ltd.**  
P.O. Box 625, Isando 1600  
60A Steel Road  
Sparton, Kempton Park  
South Africa  
Tel: 27-11-975-9240  
FAX: 27-11-394-1147

**Cascade-Xiamen**  
No. 668 Yangguang Rd.  
Xinyang Industrial Zone  
Haicang, Xiamen City  
Fujian Province  
P.R. China 361026  
Tel: 86-592-651-2500  
FAX: 86-592-651-2571

**Cascade (Singapore)  
Trading Co.**  
Four Seasons Park  
Autumn Block - Apt. 1802  
12 Cuscaden Walk  
Singapore  
Tel: 65-834-1935  
FAX: 65-834-1936

