



# Parts Manual

---

Model 20D Razorback Clamp

Serial Number 20D-CRS-RB5R0

---

**cascade**<sup>®</sup>  
corporation

**For Technical Assistance call:** 800-227-2233, Fax: 888-329-8207

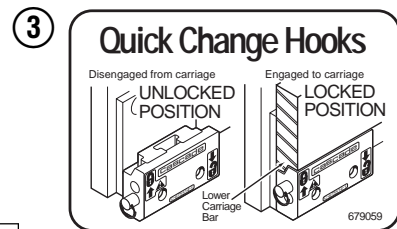
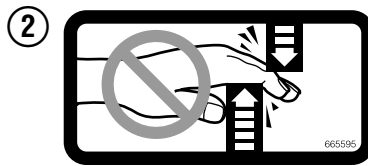
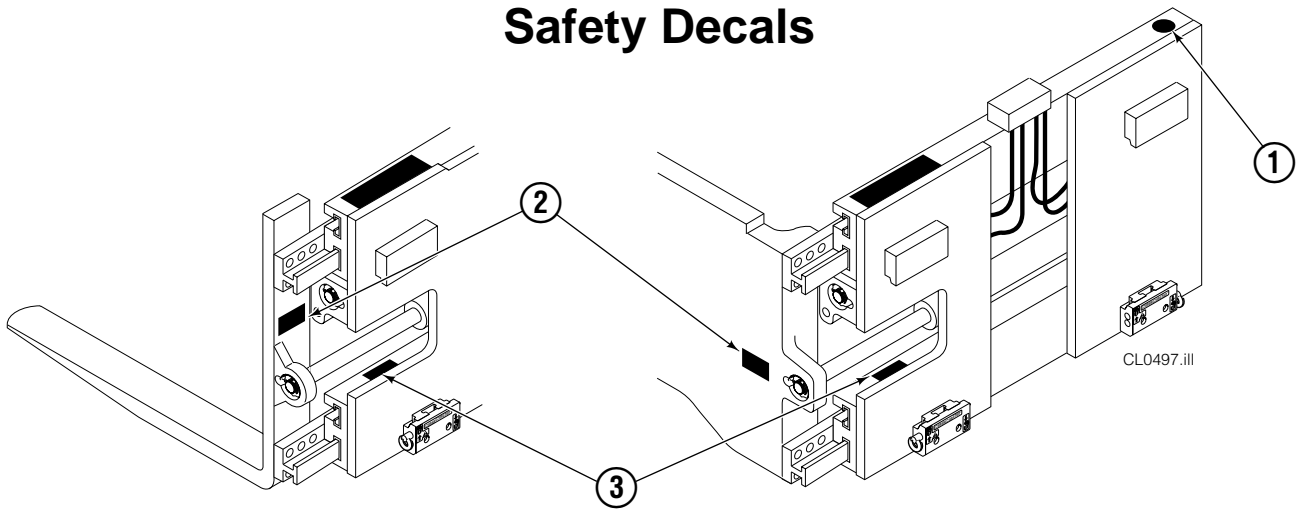
**To Order Parts call:** 888-227-2233, Fax: 888-329-0234

**OR**

**Write:** Cascade Corporation, P.O. Box 20187, Portland, OR 97220

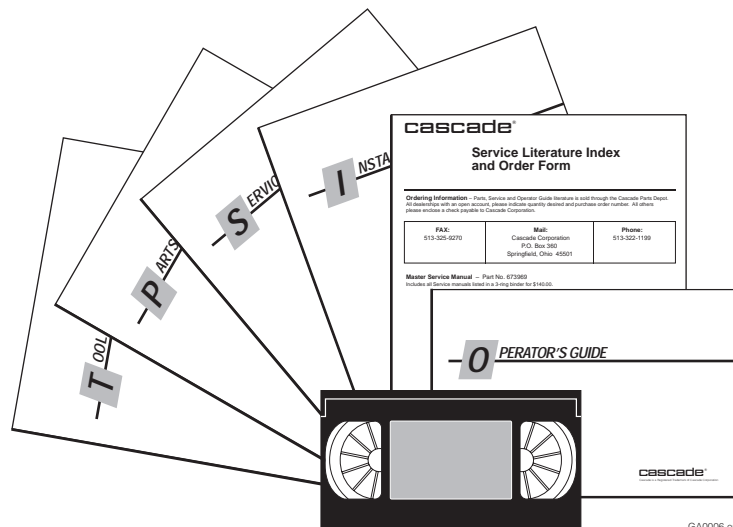
**Internet:** [www.cascorp.com](http://www.cascorp.com)

# Safety Decals



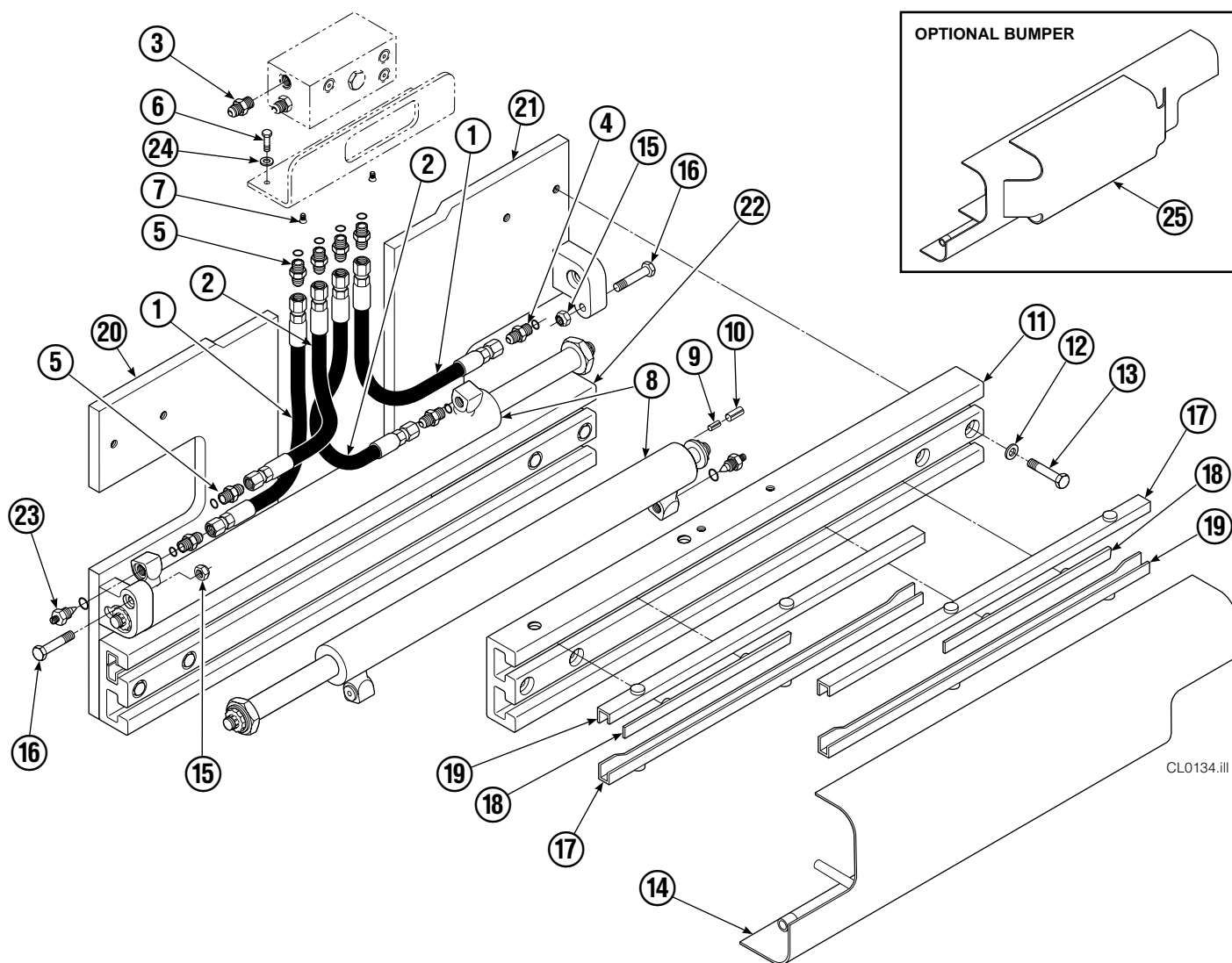
REF	QTY	PART NO.	DESCRIPTION
1	1	679150	No Step Decal
2	2	665595	No Hand Hold Decal
3	1	679059	Quick Change Hook Decal

# Publications



PART NO.	DESCRIPTION
669224	Service Manual
672944	Operators Guide
668987	Installation Instructions
680664	Servicing Cascade Cylinders-VHS
679929	Tool Catalog
673964	Literature Index Order Form

# Base Unit Group



CL0134.ill

35D							
REF	QTY	PART NO.	DESCRIPTION	REF	QTY	PART NO.	DESCRIPTION
		344387	Base Unit Group	13	8	667909	Capscrew
1	2	207425	Hose, 24.00 in.	14	1	334797	Bumper
2	1	676084	Hose, 16.50 in.	15	2	665707	Nut, 1/2 in. ID
	1	361755	Hose, 15.50 in.	16	2	633523	Capscrew, 1/2 NC x 2.50
3	1	601377	Fitting, 8-8	17	4	668910	Bearing
4	2	686369	Fitting	18	4	667663	Bearing
5	6	611288	Fitting, 6-8	19	4	668911	Bearing
6	2	671222	Capscrew, 3/8 NC x .75	20	1	680620	Mounting Plate - RH
7	2	4750	Capscrew, 3/8 NC x .75	21	1	680619	Mounting Plate - LH
8	2	334793	Cylinder ▲	22	1	674168	Frame - Lower
9	2	7861	Roll Pin - Inner	23	2	667609	Restrictor Cartridge ●
10	2	7962	Roll Pin - Outer	24	2	6230	Washer
11	1	671549	Frame - Upper	25	1	671519	Optional Bumper
12	8	667910	Washer				

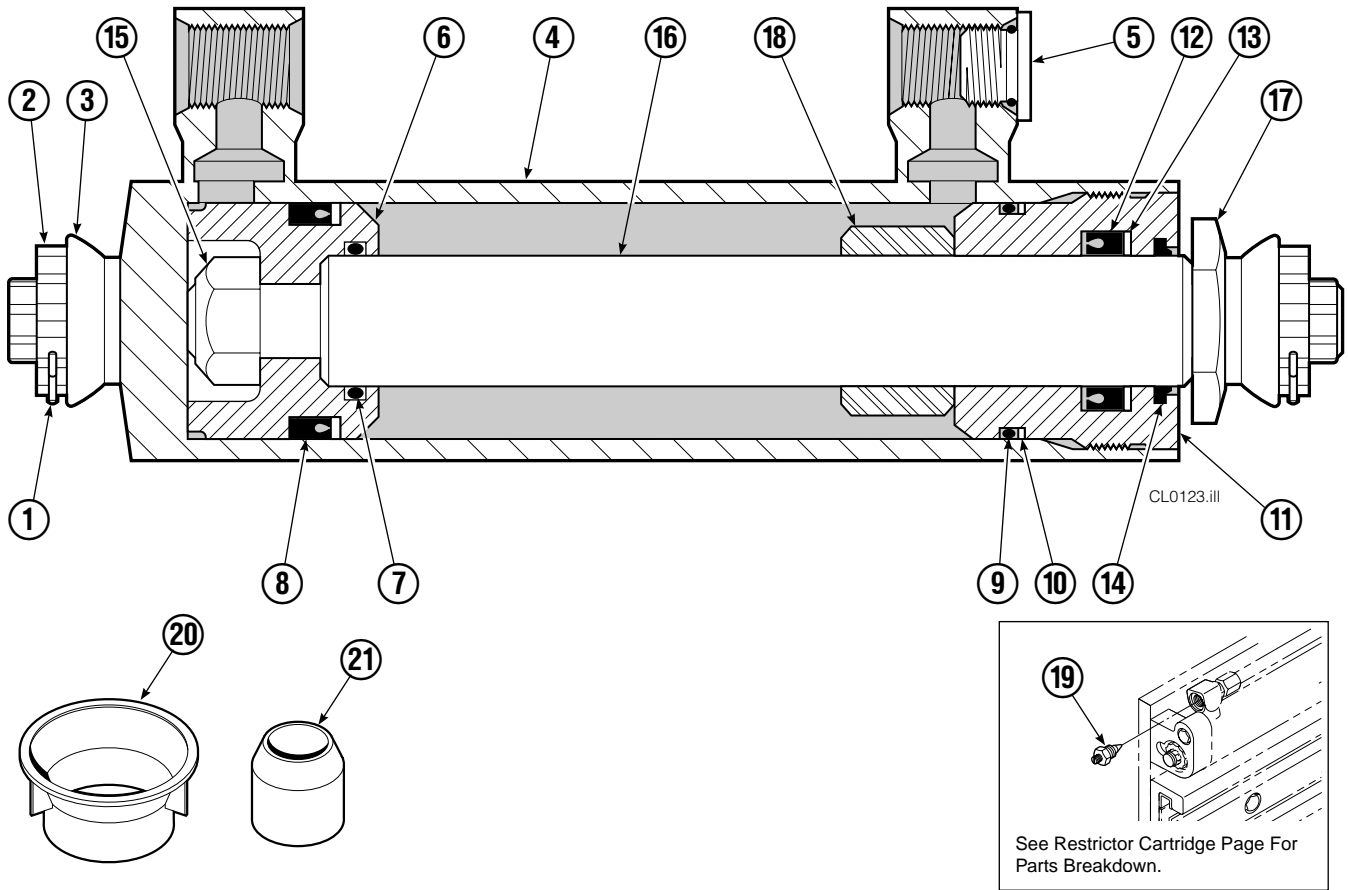
▲ See Cylinder page for parts breakdown.

● Not included in Base Unit Group.

See Restrictor Cartridge page for parts breakdown.

Reference: SK-5299.

# Cylinder



20D			
REF	QTY	PART NO.	DESCRIPTION
		334793	Cylinder Assembly
1	2	6510	Cotter Pin ■
2	2	667624	Nut Retainer ■
3	2	667625	Nut ■
4	1	334794	Shell
5	1	602580	Fitting
6	1	558200	Piston
7	1	2716	O-Ring ▲
8	1	662452	Seal ▲
9	1	2785	O-Ring ▲
10	1	615128	Back-Up Ring ▲
11	1	563906	Retainer
12	1	662448	Seal ▲
13	1	638243	Nylon Ring ▲
14	1	636853	Wiper ▲
15	1	667623	Nut
16	1	334795	Rod
17	1	667626	Washer
18	1	—	Spacer
19	1	667609	Restrictor Cartridge ●
20	1	671047	Seal Loader, Piston ▲
21	1	671051	Seal Loader, Retainer ▲
		668021	Service Kit

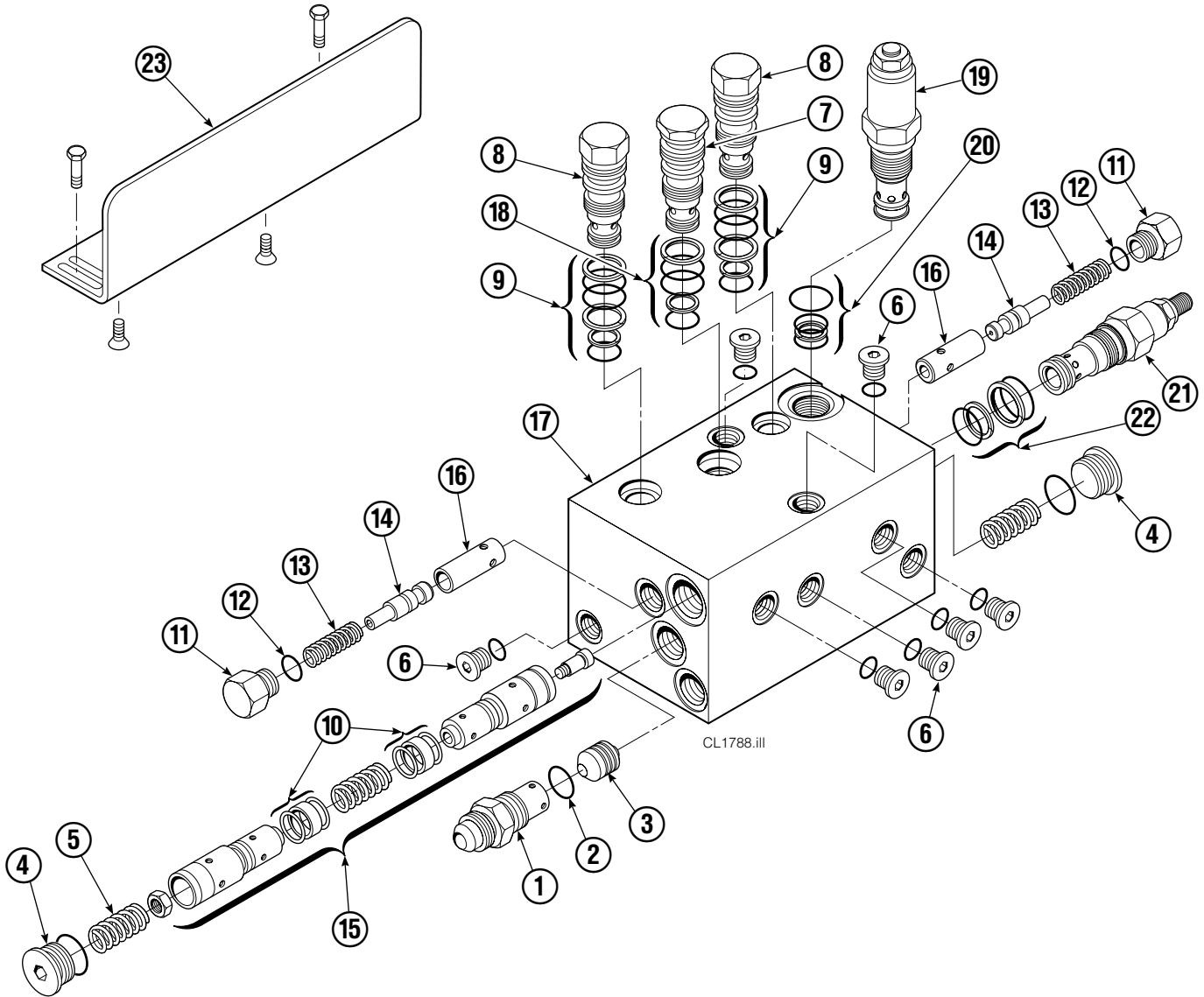
▲ Included in Service Kit 668021.  
 ■ Included in Nut Service Kit 668926.  
 ● Not included in Cylinder Assembly.  
 Reference: S-7605, S-7658

# Restrictor Cartridge



REF	QTY	PART NO.	DESCRIPTION
		667609	Restrictor Cartridge
1	1	2701	O-Ring
2	1	667611	Plunger
3	1	2841	O-Ring
4	1	667610	Plug - Special
5	1	5716	Jam Nut

# Valve Group

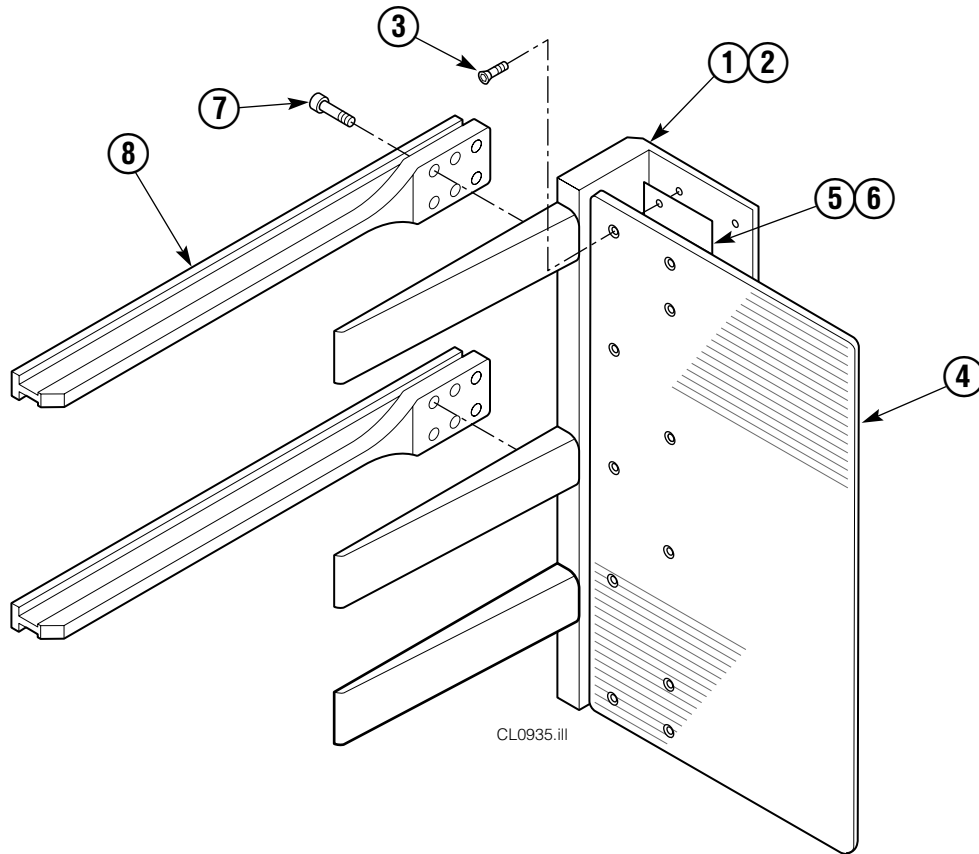


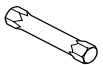
REF	QTY	PART NO.	DESCRIPTION	REF	QTY	PART NO.	DESCRIPTION
		344388	Valve Group	12	2	2840	O-Ring ●
		343684	Valve Group ▲	13	2	673098	Spring
1	1	667490	Special Fitting	14	2	667492	Poppet
2	1	2841	O-Ring ●	15	1	673089	Spool Assembly
3	1	667471	Spool	16	2	667491	Sleeve
4	2	609453	Fitting, 10	17	1	343685	Valve Body
5	2	667487	Spring	18	1	661347	Service Kit ●
6	7	604510	Fitting, 6	19	1	334615	Relief Valve
7	1	678270	Check Valve – VPO	20	1	684625	Service Kit
8	2	659058	Check Valve – PO	21	1	343687	Relief Valve
9	2	667516	Service Kit ●	22	1	667510	Service Kit
10	1	679846	Low Flow Spool Kit	23	1	334808	Valve Bracket
11	2	667494	Fitting			667513	Service Kit

● Included in Service Kit 667513.

▲ Items 1–22 only.

# Arm Group



<b>ARM CAPSCREW EXTENSION TOOL</b> Required for Proper Torquing of Capscrews		
	<b>20D</b>	<b>667699</b>

**Left Hand Assembly Shown**

<b>20D</b>			
<b>REF</b>	<b>QTY</b>	<b>PART NO.</b>	<b>DESCRIPTION</b>
		340281	Arm Group ▲
1	1	340283	Arm – LH
2	1	340282	Arm – RH
3	30	4772	Capscrew
4	2	333282	Contact Pad
5	4	340284	Shim
6	4	340285	Shim
7	24	607103	Capscrew
8	4	667905	Arm Bar

▲ Includes items 1-7.

# Bolt-On Mounting Group



Class II			
REF	QTY	PART NO.	DESCRIPTION
		678934	Lower Hook Group
1	2	675968	Lower Hook
2	4	667225	Washer, 5/8 in. ID
3	4	667369	Capscrew, 5/8 NC x 1.25 GR 5

Reference: S-3197.

# Mounting Plates with Bolt-On Upper Hooks



REF	QTY	PART NO.	DESCRIPTION
1	1	680619	Mounting Plate Assembly-LH ●
2	1	680620	Mounting Plate Assembly-RH ■
3	1	6002330	Upper Hook-LH
4	1	210491	Upper Hook-RH
5	4	768577	Capscrew, M20 x 35

● Includes items 3 and 5.

■ Includes items 4 and 5.

**Do you have questions you need answered right now?** Call your nearest Cascade Parts Department.

**Cascade Corporation**

2501 Sheridan Avenue  
Springfield, OH 45505  
Tel: 888-CASCADE (227-2233)  
FAX: 888-329-0234  
www.cascorp.com

**Cascade Canada Inc.**

5570 Timberlea Blvd.  
Mississauga, Ontario  
Canada L4W-4M6  
Tel: 905-629-7777  
FAX: 905-629-7785

**Cascade GmbH**

D-41199 Monchengladbach  
Klosterhofweg 52  
Germany  
Tel: 49-216-668230  
FAX: 49-216-6682323

**Cascade Finland**

Albert Petreliuksenkatu 3  
01370 Vantaa  
Finland  
Tel: 358-9-836-1925  
FAX: 358-9-836-1935

**Cascade N.V.  
European Headquarters**

P.O. Box 3009  
1300 El Almere  
Damsluisweg 56  
1332 ED Almere  
The Netherlands  
Tel: 31-36-5492911  
FAX: 31-36-5492964

**Cascade N.V.  
Benelux Sales and Service**

P.O. Box 3009  
1300 El Almere  
Damsluisweg 56  
1332 ED Almere  
The Netherlands  
Tel: 31-36-5492950  
FAX: 31-36-5492974

**Cascade (UK) Ltd.**

15, Orgreave Crescent  
Dore House Industrial Estate  
Handsworth  
Sheffield S13 9NQ  
England  
Tel: 742-697524  
FAX: 742-695121

**Cascade Scandinavia AB**

Box 124  
Hammarvägen 10  
567 23 Vaggeryd  
Sweden  
Tel: 42-0-393-36950  
FAX: 46-0-393-36959

**Cascade Norway**

Østerliveien 37A  
1153 Oslo  
Norway  
Tel: 47-22-743160  
FAX: 47-22-743157

**Cascade France S.A.R.L.**

1D Rue De Charaintru  
BP 18, 91360 Epinay-Sur-Orge  
Morangis Cedex, France  
Tel: 33-1- 64547500  
FAX: 33-1-64547501

**Cascade Hispania S.A.**

Carrer 5 Sector C  
Zona Franca Duanera  
Poligono de la Zon Franca  
08040 Barcelona, Spain  
Office No. 256  
Tel: 93-264-07-30  
FAX: 93-264-07-31

**Cascade Japan Ltd.**

5-5-41,  
Torikai Kami  
Settsu, Osaka  
Japan, 566  
Tel: 81-726-53-3490  
FAX: 81-726-53-3497

**Cascade Korea**

108B, Namdong Ind Complex  
658-3 Gojan-Dong  
Namdong-Gu  
Inchon, 405-310 Korea  
Tel: 82-32-821-2051  
FAX: 82-32-821-2055

**Cascade Australia**

1445 Ipswich Road  
Rocklea, QLD 4106  
Australia  
Tel: 1-800227-223  
FAX: (07) 3373-7333

**Cascade New Zealand**

15 Ra Ora Drive  
East Tamaki, Auckland  
New Zealand  
Tel: 9-273-9136  
FAX: 9-273-9137

**Cascade (Africa) Pty. Ltd.**

P.O. Box 625, Isando 1600  
60A Steel Road  
Sparton, Kempton Park  
South Africa  
Tel: 27-11-975-9240  
FAX: 27-11-394-1147

**Cascade-Xiamen**

No. 668 Yangguant Rd.  
Xinyang Industry Zone  
Haicant, Xiamen City  
Fujian Province  
P.R. China 361026  
Tel: 86-592-651-2500  
FAX: 86-592-651-2571

**Cascade (Singapore)  
Trading Co.**

Four Seasons Park  
Autumn Block - Apt. 1802  
12 Cuscaden Walk  
Singapore  
Tel: 65-834-1935  
FAX: 65-834-1936

