



Parts Manual

Model _____ **Paper Roll Clamp**

Serial Number _____ **90F-RCF-109**

cascade[®]
corporation

For Technical Assistance call: 800-227-2233, Fax: 888-329-8207

To Order Parts call: 888-227-2233, Fax: 888-329-0234

OR

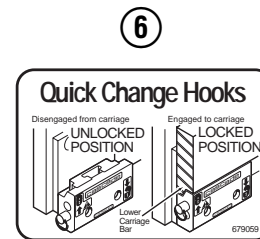
Write: Cascade Corporation, P.O. Box 20187, Portland, OR 97220

Internet: www.cascorp.com

Safety Decals



RC0636.ill



Roll Clamp Safety Decals			
REF	QTY	PART NO.	DESCRIPTION
1	6	665595	No Hand Hold Decal
2	3	660269	Short Arm Rotation Position Decal
3	4	656038	Caution Decal
4	4	679150	No Step Decal
5	4	665677	Trapped Pressure Decal
6	1	679059	Quick-Change Hook Decal

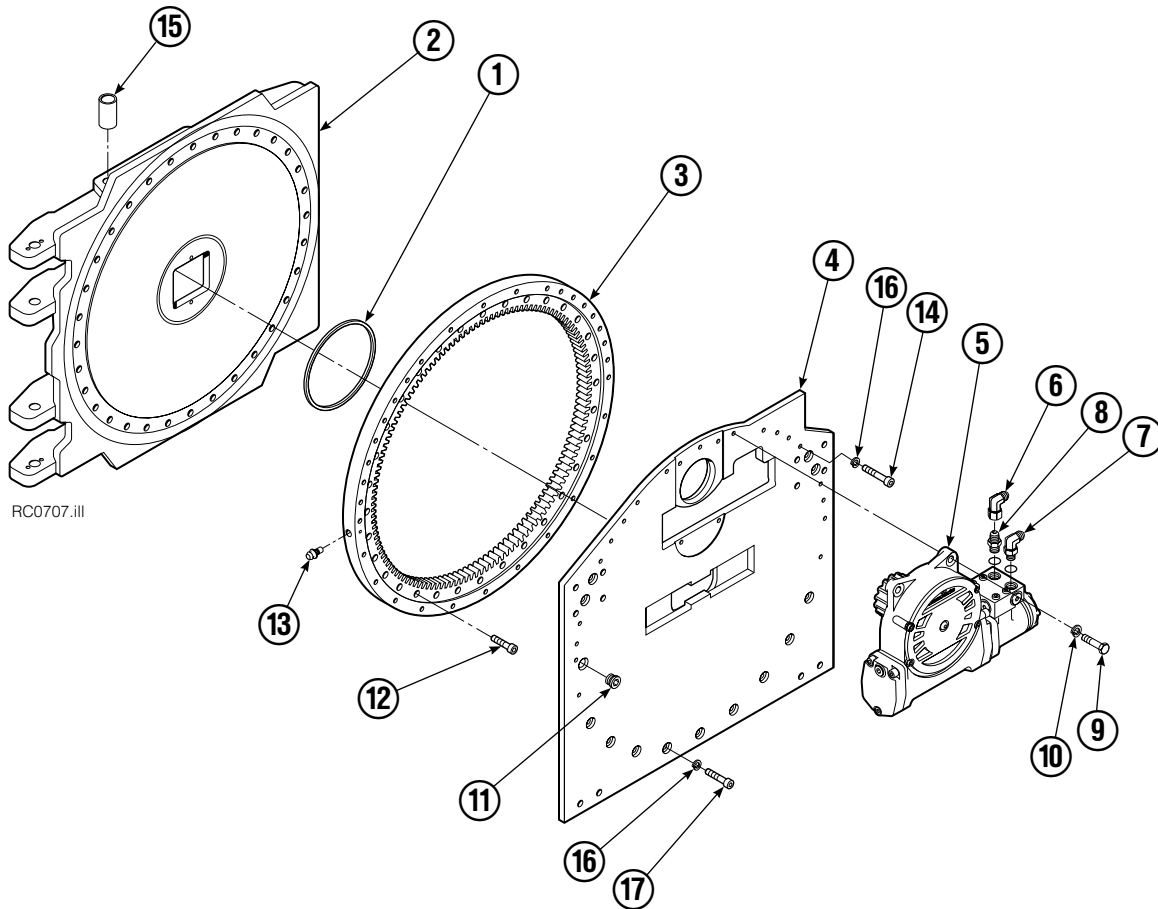
Publications



GA0006.ill

Roll Clamp Publications	
674512	Service Manual
674509	Operator's Guide – Fixed Frame
676268	Operator's Guide – Swing Frame
674510	Installation Instructions – Fixed Frame
674511	Installation Instructions – Swing Frame
677555	Driver Training Video – VHS
678363	Troubleshooting Video – VHS
680664	Servicing Cascade Cylinders – VHS
679929	Tool Catalog
673964	Literature Index Order Form

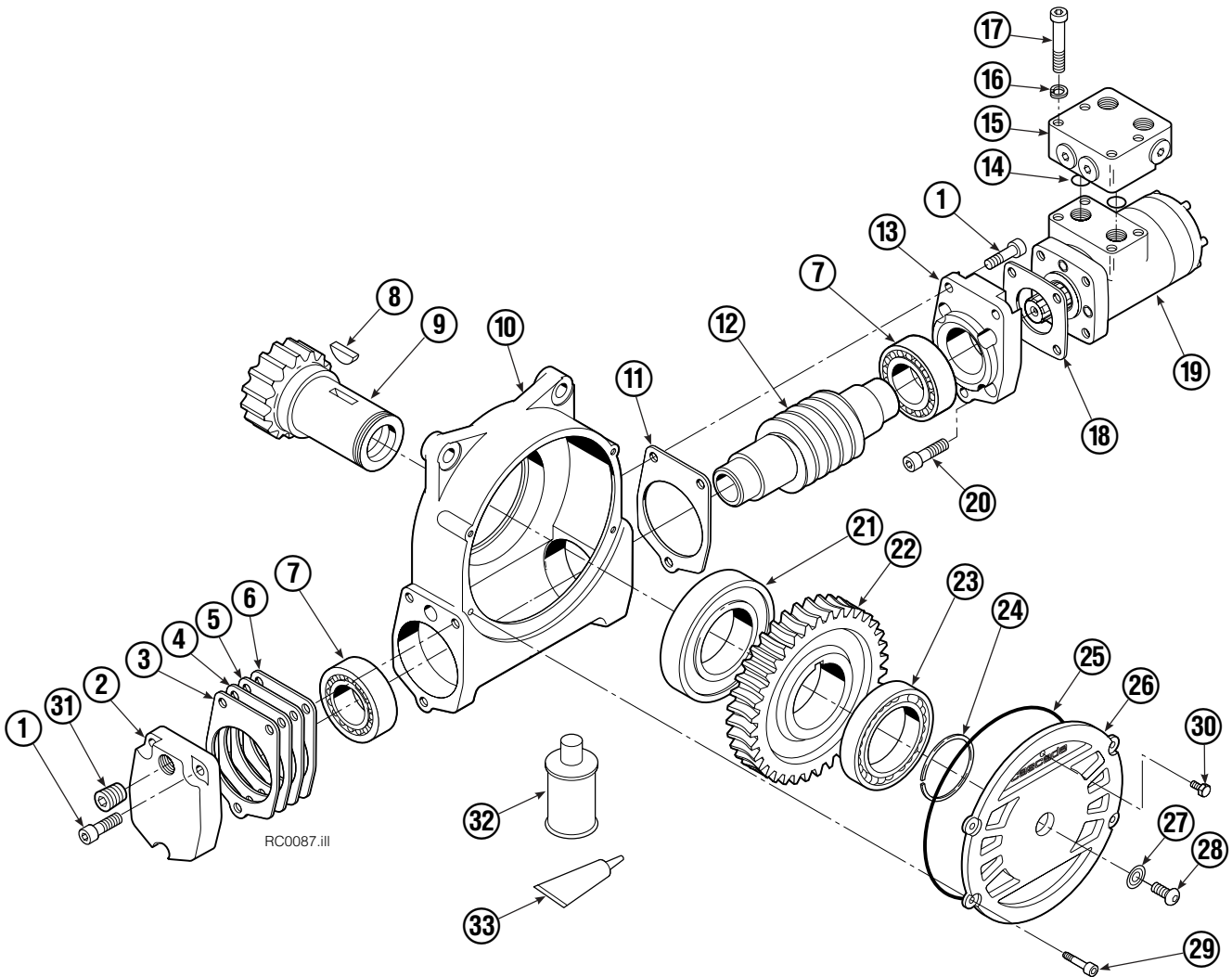
Frame Group



90F			
REF	QTY	PART NO.	DESCRIPTION
		6013670	Base Unit
1	1	670931	Seal
2	1	6013656	Frame
3	1	214481	Bearing Assembly
4	1	214484	Baseplate
5	1	795492	Drive Group ▲
6	1	605761	Fitting, 8-8
7	1	601250	Fitting, 8-8
8	1	601377	Fitting, 8-8
9	4	763021	Capscrew, M12 x 30
10	4	6290	Lockwasher, 1/2
11	1	664071	Plug
12	32	753221	Capscrew, M12 x 50
13	1	7401	Grease Fitting
14	19	213633	Capscrew, M12 x 55
15	8	675007	Bushing
16	32	681473	Washer, M12
17	13	206174	Capscrew, M12 x 45

▲ See Drive Group page for parts breakdown.
Reference: Common Parts Group 223023, SK-6189.

Drive Group



REF	QTY	PART NO.	DESCRIPTION	REF	QTY	PART NO.	DESCRIPTION
		795492	Drive Group with 2.8 c.i. Motor	19	1	206392	Drive Motor – 2.8 c.i. ■
1	6	769570	Capscrew, M12 x 25	20	4	4468	Capscrew, 3/8 NC x .75 GR8
2	1	676855	Cover	21	1	670580	Bearing
3	●	674513	Shim – .005" (blue)	22	1	675609	Worm Gear
4	●	670574	Shim – .010" (brown)	23	1	670581	Bearing
5	●	671757	Shim – .015" (pink)	24	1	7214	Snap Ring
6	●	671758	Shim – .020" (yellow)	25	1	643423	O-Ring
7	2	670579	Bearing	26	1	775552	Cover
8	1	670582	Key	27	1	783609	Seal
9	1	670556	Pinion	28	1	783608	Capscrew, M10 x 16
10	1	775551	Housing	29	4	200882	Capscrew, M8 x 20
11	1	686465	Gasket	30	1	644010	Relief Fitting
12	1	675608	Worm	31	1	604510	Fitting, 6
13	1	775553	Adapter	32	1	656300	Gear Box Lube – 48 oz.
14	2	2705	O-Ring	33	1	668184	Sealant
15	1	670549	Check Valve ▲			670578	Shim Service Kit (items 3-6,25,33)
16	4	6444	Lockwasher			675637	Bearing Service Kit (items 21 & 33)
17	4	607059	Capscrew, 5/16 NC x 1.75 GR8			675638	Bearing Service Kit (items 3-7,25)
18	1	670575	Gasket			206394	Motor Kit-2.8 c.i. (items 11,14,18,19)

● Quantity as required.

■ See Drive Motor page for parts breakdown.

▲ See Check Valve page for parts breakdown.

Drive Motor



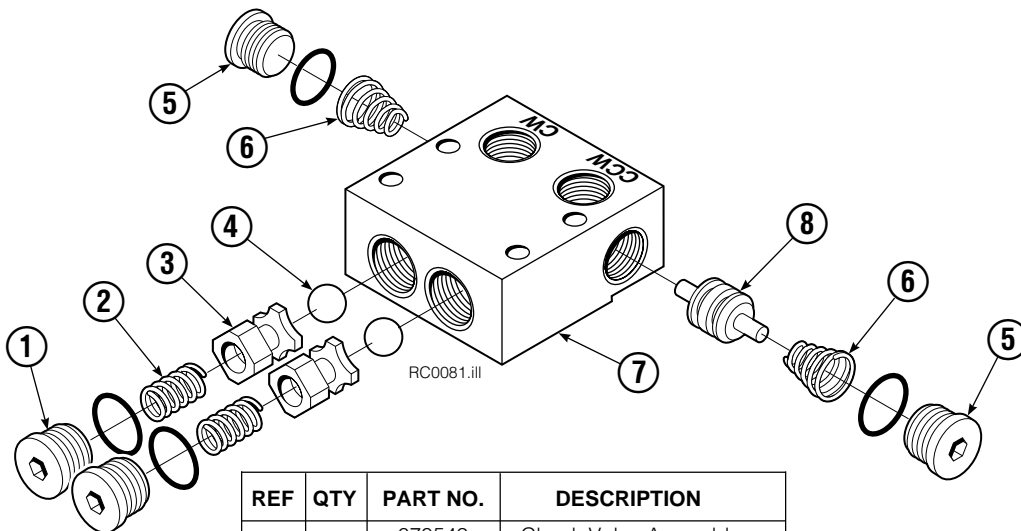
REF	QTY	PART NO.	DESCRIPTION
		206392	Drive Motor
1	1	675478	Shaft
2	1	675477	Drive
3	1	675479	Spacer Plate
4	1	675480	■ Gerotor Set (101-1768-007)
4	1	685075	■ Gerotor Set (101-1768-009)
5	1	675482	End Cap
6	1	206405	● Service Kit
7	1	685089	■ Flange (101-1768-007)
7	1	685090	■ Flange (101-1768-009)

Cascade provides service replacement parts for the listed parts only. Due to cost, if others parts need replacement, the complete drive motor should be replaced.

■ See Nameplate under valve for correct part number of Gerotor Set and Flange.

● Compatible with water glycol based hydraulic fluids.

Check Valve



REF	QTY	PART NO.	DESCRIPTION
		670549	Check Valve Assembly
1	2	609453	Fitting, 10
2	2	670552	Spring
3	2	670551	Guide
4	2	7020	Ball
5	2	602580	Fitting, 8
6	2	673989	Spring
7	1	670550	Body
8	1	670553	Spool

Common Components

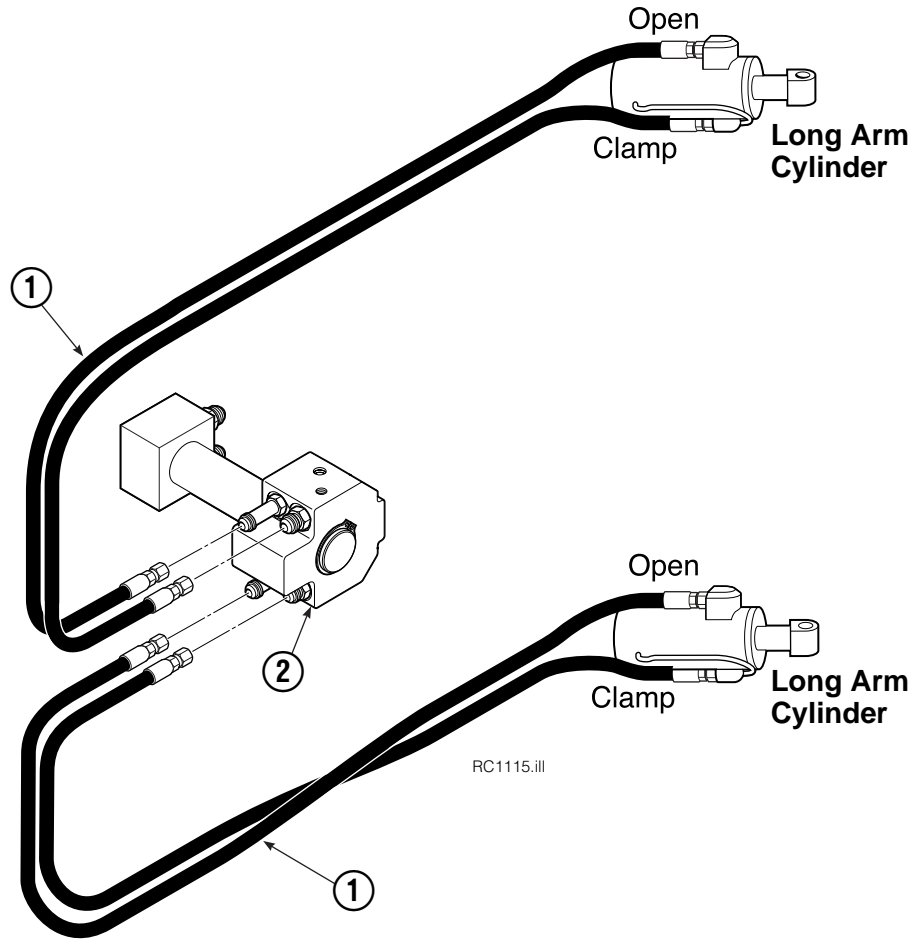


RC0126.iii

90F			
REF	QTY	PART NO.	DESCRIPTION
		206686	Components Group
1	8	660200	Shim
2	24	768809	Capscrew, M8 x 16-8.8
3	8	206589	Retainer
4	8	680651	Pin
5	8	673385	Drive Pin
6	4	206591	Retainer
7	4	675022	Pin
8	4	681673	Spacer
9	16	673379	Shim
10	4	675086	Drive Pin

Reference: SK-5314, SK-5315.

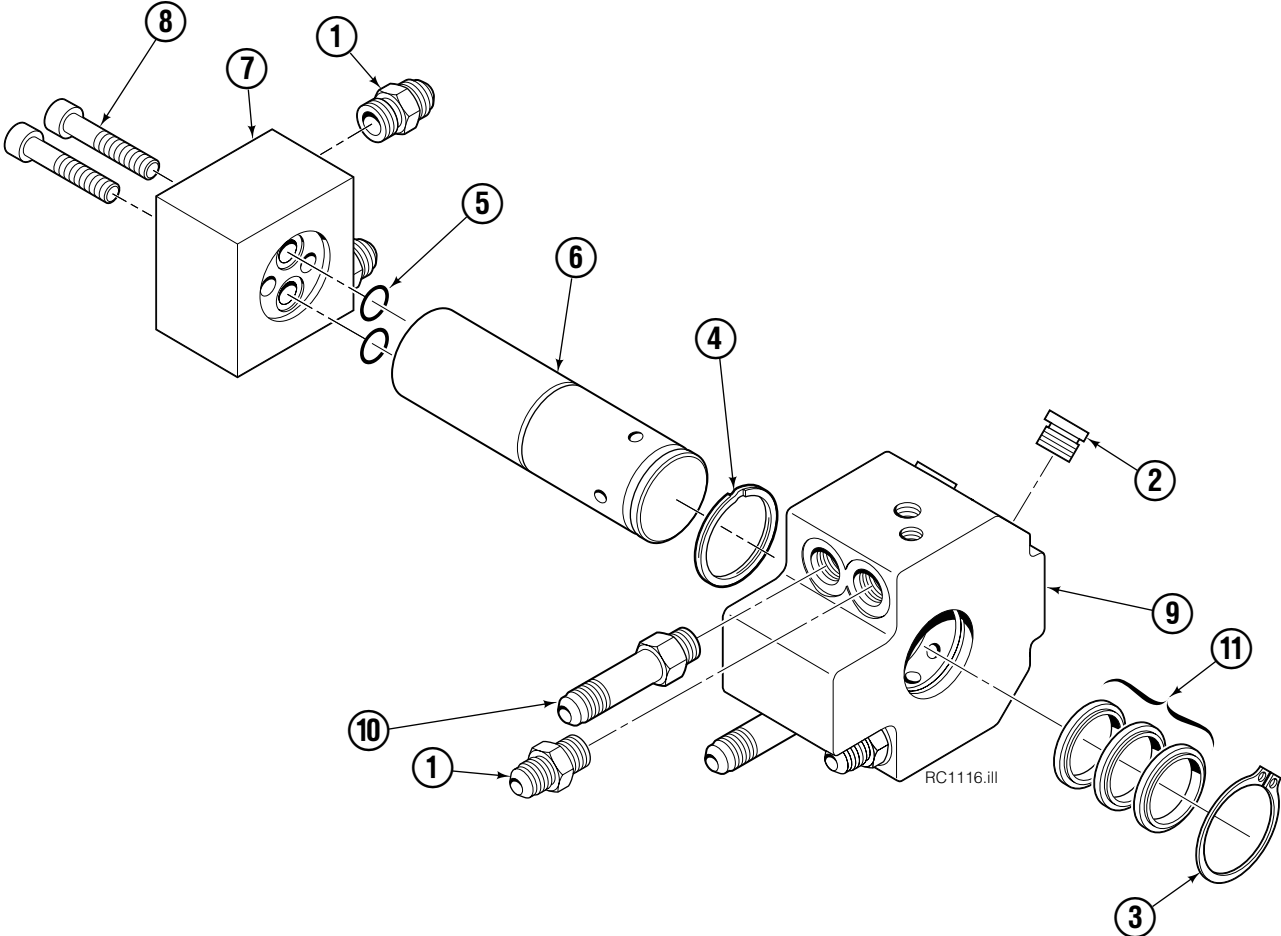
Hosing Group Fixed Short Arm



90F			
REF	QTY	PART NO.	DESCRIPTION
		6013543	Hosing Group
1	4	685673	Hose, 61 in.
2	1	222683	Revolving Connection ▲

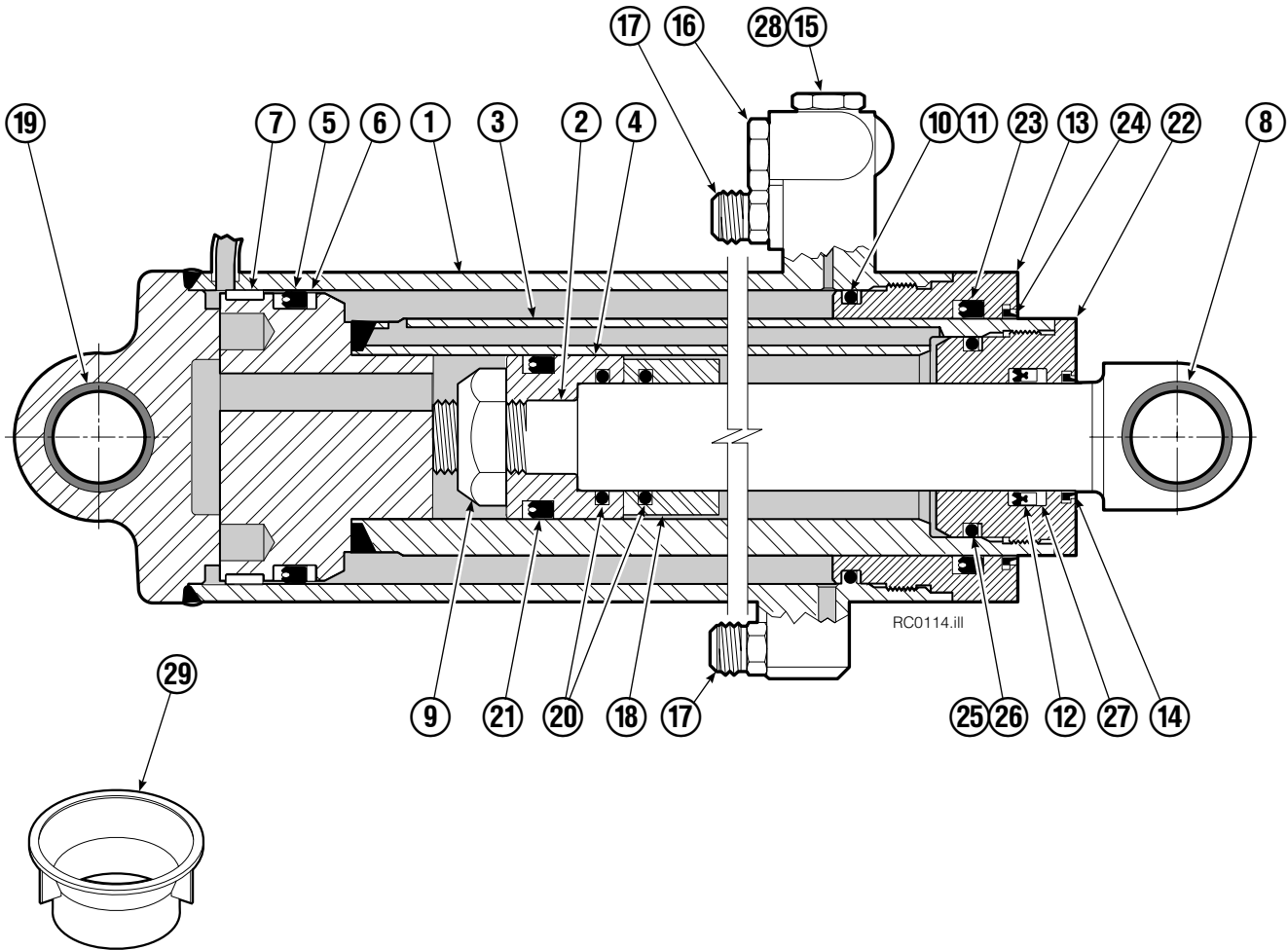
▲ See Revolving Connection page for parts breakdown.

Revolving Connection Fixed Short Arm



90F			
REF	QTY	PART NO.	DESCRIPTION
		222683	Revolving Connection
1	4	604511	Fitting, 6-6
2	4	604510	Fitting, 6
3	1	3138	Snap Ring
4	1	7341	Snap Ring
5	2	564448	O-Ring
6	1	222674	Shaft
7	1	222684	End Block
8	2	768798	Capscrew, M8 x 45
9	1	222671	Body
10	2	605743	Fitting Adapter
11	3	214649	Seal
		222694	Service Kit

Cylinder



REF	QTY	PART NO.	DESCRIPTION	REF	QTY	PART NO.	DESCRIPTION
		6013538	Cylinder Assembly	16	1	556852	Fitting, 4
1	1	6013539	Shell	17	2	604511	Fitting, 6-6
2	1	563802	Rod	18	1	—	Spacer
3	1	6013542	Plunger	19	2	675006	Bearing
4	1	559684	Piston	20	2	2722	O-Ring
5	1	662462	◆ Seal	21	1	647870	Seal
6	2	638295	◆ Nylon Ring	22	1	667675	Retainer
7	1	660789	◆ Ring – Wear	23	1	553524	Seal
8	1	674843	◆ Bearing	24	1	636860	Wiper
9	1	560997	Nut	25	1	2791	O-Ring
10	1	2801	◆ O-Ring	26	1	615134	Back-up Ring
11	1	615144	◆ Back-up Ring	27	1	638246	Nylon Ring
12	1	554598	◆ Seal	28	1	667516	Service Kit
13	1	559685	Retainer	29	1	672910	Seal Loader Kit
14	1	564930	◆ Wiper			559837	Service Kit
15	1	557212	■ Valve				

◆ Included in Service Kit 559837.

■ Included in Service Kit 667516.

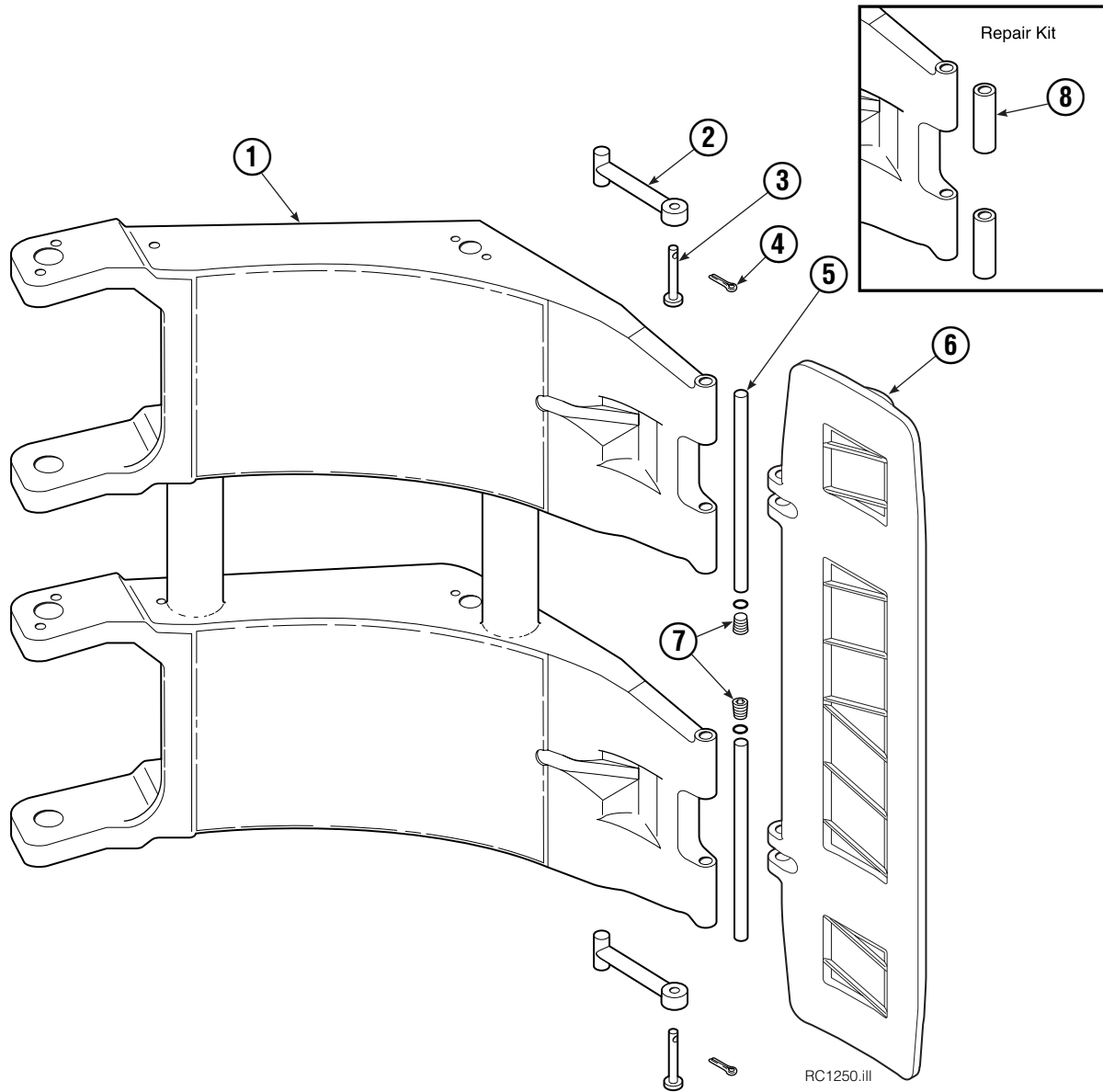
Reference: S-6114, S-6115.

Link



REF	QTY	PART NO.	DESCRIPTION
1	2	6013654	Link

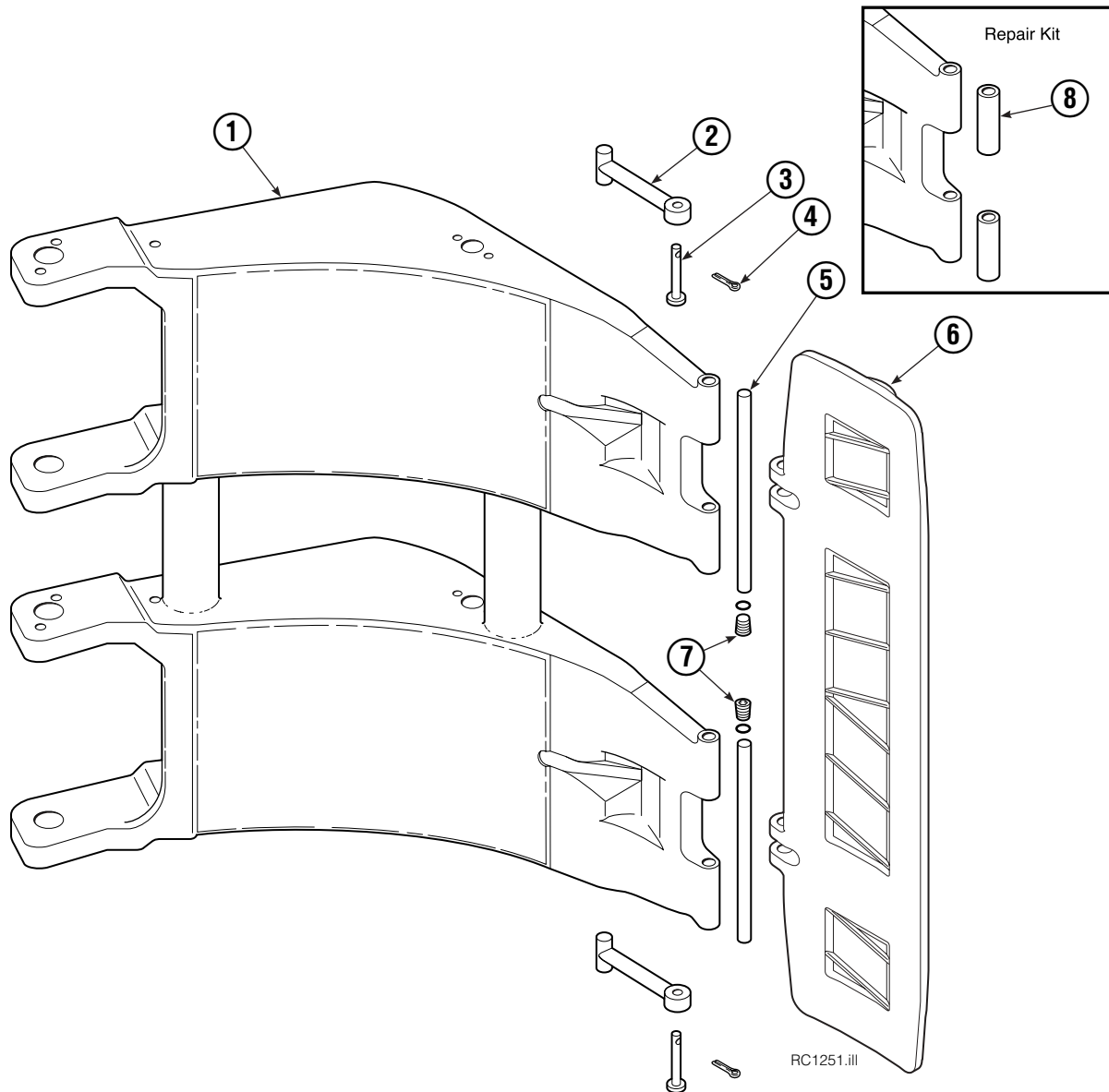
Contact Pad and Short Arm



90F			
REF	QTY	PART NO.	DESCRIPTION
		398938	Contact Pad Group ●
1	1	6013614	Short Arm
2	2	674994	Link
3	2	682978	Clevis Pin
4	2	6525	Cotter Pin
5	2	674993	Pin
6	1	338707	Contact Pad
7	2	689900	Plug
8	1	676810	Arm Tip Repair Kit

● Includes items 2 through 7 only.

Contact Pad and Long Arm



90F			
REF	QTY	PART NO.	DESCRIPTION
		398938	Contact Pad Group ●
1	1	6013618	Long Arm
2	2	674994	Link
3	2	682978	Clevis Pin
4	2	6525	Cotter Pin
5	2	674993	Pin
6	1	338707	Contact Pad
7	2	689900	Plug
8	1	676810	Arm Tip Repair Kit

● Includes items 2 through 7 only.

Bolt-On Mounting Group



Class IV, 1.8°			
REF	QTY	PART NO.	DESCRIPTION
		684880	Mounting Group
1	1	684877	Upper Hook – LH
2	1	675061	Upper Hook – RH
3	1	670704	Stop Kit
4	8	679082	Capscrew, M20 x 35
5	2	768810	Capscrew, M10 x 30
6	2	680030	Lockwasher, M10
7	1	681057	Center Spacer
8	4	676854	Capscrew, M20 x 60
9	4	670692	Washer
10	2	679832	Lower Hook
11	2	681056	Spacer

Reference: SK-5286.

Do you have questions you need answered right now? Call your nearest Cascade Parts Department. Visit us online at www.cascorp.com

Cascade Corporation
2501 Sheridan Avenue
Springfield, OH 45505
Tel: 888-CASCADE (227-2233)
FAX: 888-329-0234

Cascade Canada Inc.
5570 Timberlea Blvd.
Mississauga, Ontario
Canada L4W-4M6
Tel: 905-629-7777
FAX: 905-629-7785

Cascade GmbH
Dahlener Strasse 570
41239 Mönchengladbach
Germany
Tel: 02166-68230
FAX: 02166-682323

Cascade Finland
A. Petreliuksenkatu 3
01370 Vantaa
Finland
Tel: 09-8361925
FAX: 09-8361935

**Cascade N.V.
Benelux Sales and Service**
Damsluisweg 56
PO Box 3009
1300 El Almere
The Netherlands
Tel: 036-5492950
FAX: 036-5492974

Cascade (UK) Ltd.
Unit 5, Eden Close
Hellaby Lane Ind. Estate
Heellaby,
Rotherham S66 8RW
England
Tel: 01709-704500
FAX: 01709-704501

**Sales Scotland
Macade Systems Ltd.**
18 Melford Road
Righead Ind. Estate
Bellshill ML4 3LR
Scotland
Tel: 01698-845777
FAX: 01698-845888

Cascade (Africa) Pty. Ltd.
PO Box 625, Isando 1600
60A Steel Road
Sparton, Kempton Park
South Africa
Tel: 975-9240
FAX: 394-1147

Cascade Scandinavia AB
Hammarvägen 10
PO Box 124
S-56723 Vaggeryd
Sweden
Tel: 039-336950
FAX: 039-336959

**Cascade France
S.A.R.L. MHP**
1D Rue De Charaintru
BP 18,
91360 Epinay-Sur-Orge
France
Tel: 01-6454-7500
FAX: 01-6454-7501

Cascade Hispania S.A.
Carrer 5, Sector C
Zona Franca Duanera
Poligono de la Zona Franca
08040 Barcelona
Spain
Tel: 93-264-07-30
FAX: 93-264-07-31

Sales Italy
Via Ponzano 11
50047 Prato
Italy
Tel: 0574-571726
FAX: 0574-571726
Mobile Phone: 0337-673029

**Sales Portugal FAG
Santos Lda**
Rua do Mercado
Lte 6, Loja 2-Tires
2785-630
S. Domingos De Rana
Portugal
Tel: 214-448-083
FAX: 214-458-098

**Sales Switzerland
Fahrzeugbedarf**
8810, Horgen
Switzerland
Tel: 01-7279797
FAX: 01-7279798

Sales Poland
Targowa 35/61
03-728 Warszawa
Tel: 022-619 00 49
FAX: 022-619 00 49
Mobile Phone: 0501-27 29 55

Sales Russia
EMCG Material Handling
Equipment
Moscow
Tel: 095-795-2400
FAX: 095-795-2475
Email: emcg@dol.ru

Cascade Japan Ltd.
5-5-41,
Torikai Kami
Settsu, Osaka
Japan, 566
Tel: 81-726-53-3490
FAX: 81-726-53-3497

Cascade Korea
108B Namdong Ind. Complex
658-3 Gojan-Dong
Namdong-Gu
Inchon, 405-310 Korea
Tel: 82-32-821-2051
FAX: 82-32-821-2055

Cascade Australia
1445 Ipswich Road
Rocklea, QLD 4106
Australia
Tel: 1-800227-223
FAX: (07) 3373-7333

Cascade New Zealand
15 Ra Ora Drive
East Tamaki, Auckland
New Zealand
Tel: 9-273-9136
FAX: 9-273-9137

Cascade-Xiamen
No. 668 Yangguang Rd.
Xinyang Industrial Zone
Haicang, Xiamen City
Fujian Province
P.R. China 361026
Tel: 86-592-651-2500
FAX: 86-592-651-2571

**Cascade (Singapore)
Trading Co.**
Four Seasons Park
Autumn Block - Apt. 1802
12 Cuscaden Walk
Singapore
Tel: 65-834-1935
FAX: 65-834-1936

