



# Parts Manual

---

## Quick-Change Mountings

---

Manual Number 667414

---

**cascade**<sup>®</sup>

Cascade is a Registered Trademark of Cascade Corporation

# HOW TO USE THIS MANUAL

To order service replacement parts or a complete Quick-Change Mounting Group, first, record the catalog number and serial number from the attachment nameplate (give the serial number when ordering a complete mounting group).

The first three digits of the catalog number will identify the attachment, such as a C3B or a L5P, and the fourth digit

will identify the mounting class of the attachment.

Use the chart below to determine the mounting class of the attachment. Refer to the index on page 3 to locate the correct page for ordering service replacement parts or a complete Quick-Change Mounting Group.

## Mounting Class Identification

### NON-REVOLVING ATTACHMENTS

Catalog Number	Mounting Class
xxx - Axx	Class II
xxx - Bxx	Class III

### REVOLVING ATTACHMENTS

Catalog Number	Mounting Class
xxx - Axx	Class II-4°
xxx - Bxx	Class III-4°
xxx - Fxx	Class II-0°
xxx - Gxx	Class III-0°

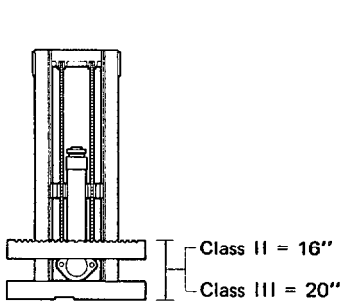
## Example

To locate the Quick-Change Mounting Group for a C3P-A2L paper roll clamp, you would refer to the C3P, Class II-0° listing in the index.

## MOUNTING CLASS SPECIFICATIONS

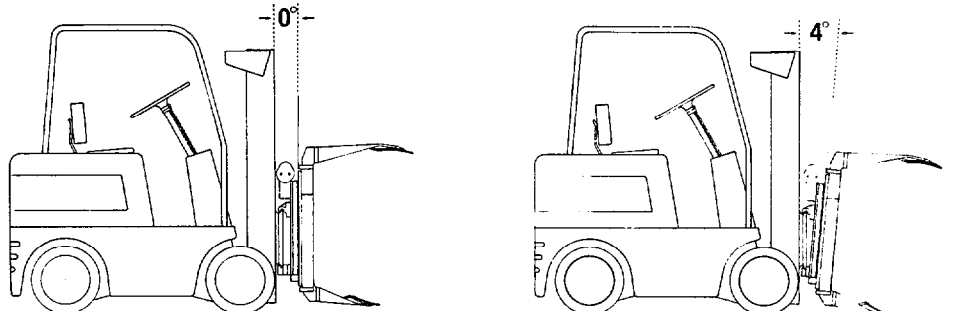
### MOUNTING CLASS

All Attachments



### FORWARD TILT

Revolving Attachments Only



## ORDERING INFORMATION

### COMPLETE MOUNTING GROUPS

Orders for complete Quick-Change Mounting Groups should be placed with:

Customer Services Department  
 Cascade Corporation  
 P.O. Box 20187  
 Portland, Oregon 97220  
 Telephone: 503-666-1511  
 Telex: 360-411

### SERVICE REPLACEMENT PARTS

Orders for Quick-Change Mounting Group service replacement parts should be placed with:

Parts Depot  
 Cascade Corporation  
 2501 Sheridan Avenue  
 Springfield, Ohio 45505  
 Telephone: 513-325-9271  
 Telex: 20-5413

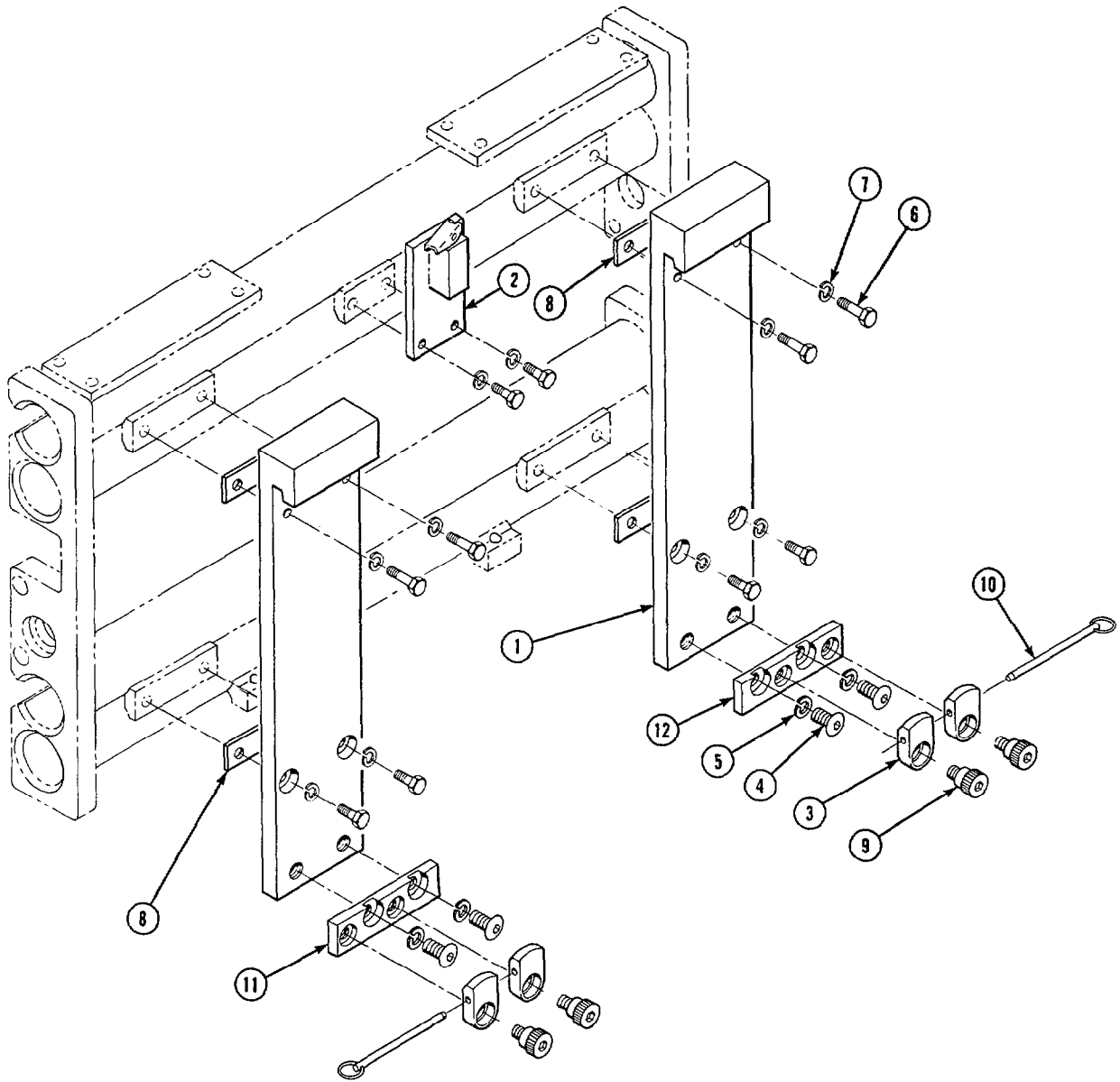
# INDEX

ATTACHMENT	MODEL	MOUNTING CLASS	PAGE	
<b>Non-Revolving Clamps (Basic &amp; Side Shifting)</b> <b>Carton Clamp</b> <b>Turnafork<sup>T.M.</sup> Clamp</b> <b>Appliance Mini-Clamp</b> <b>Dockhand Paper Roll Clamp (Non-Revolving)</b>	C2B-C2S	II	4	
	C2G	II	5	
	C3A	II	6	
	C3B-C3S	II	7	
	C3G	II	7	
	C4B-C4S	II	6	
	C4B-C4S	III	8	
	C4S Dockhand	III	8	
	C4T	II	6	
	C5G	II	9	
	C6B-C6S	III	10	
	<b>Revolving Clamps</b> <b>360° Rotators</b>	C2R	II-4°	11
		C2R	II-0°	12
C3R-R3R		II-4°	11	
C3R-R3R		II-0°	12	
C4R-R4R		II-4°	13	
C4R-R4R		II-0°	14	
C4R-R4R		III-4°	15	
C4R-R4R		III-0°	16	
C6R-R6R		III-4°	17	
C6R-R6R		III-0°	18	
<b>Paper Roll Clamps</b>	C3P	II-4°	11	
	C3P	II-0°	12	
	C4P	II-4°	13	
	C4P	II-0°	14	
	C4P	III-4°	15	
	C4P	III-0°	16	
	C6P	III-4°	17	
	C6P	III-0°	19	
	C7P Model 70C only	III-4°	17	
	C7P Model 70C only	III-0°	19	
	<b>Load Push &amp; Push/Pull</b>	L5B-P5B	II	20
L5S-P5S		II	21	
L7B-P7B		III	22	
L7S-P7S		III	23	
<b>Side Shift Carriage</b>		S2L	II	24
	S4L	II	25	
	S6L	III	26	
	S4S	II	27	
	S6S	III	28	

# Quick-Change Mounting Group

C2B & C2S

Class II



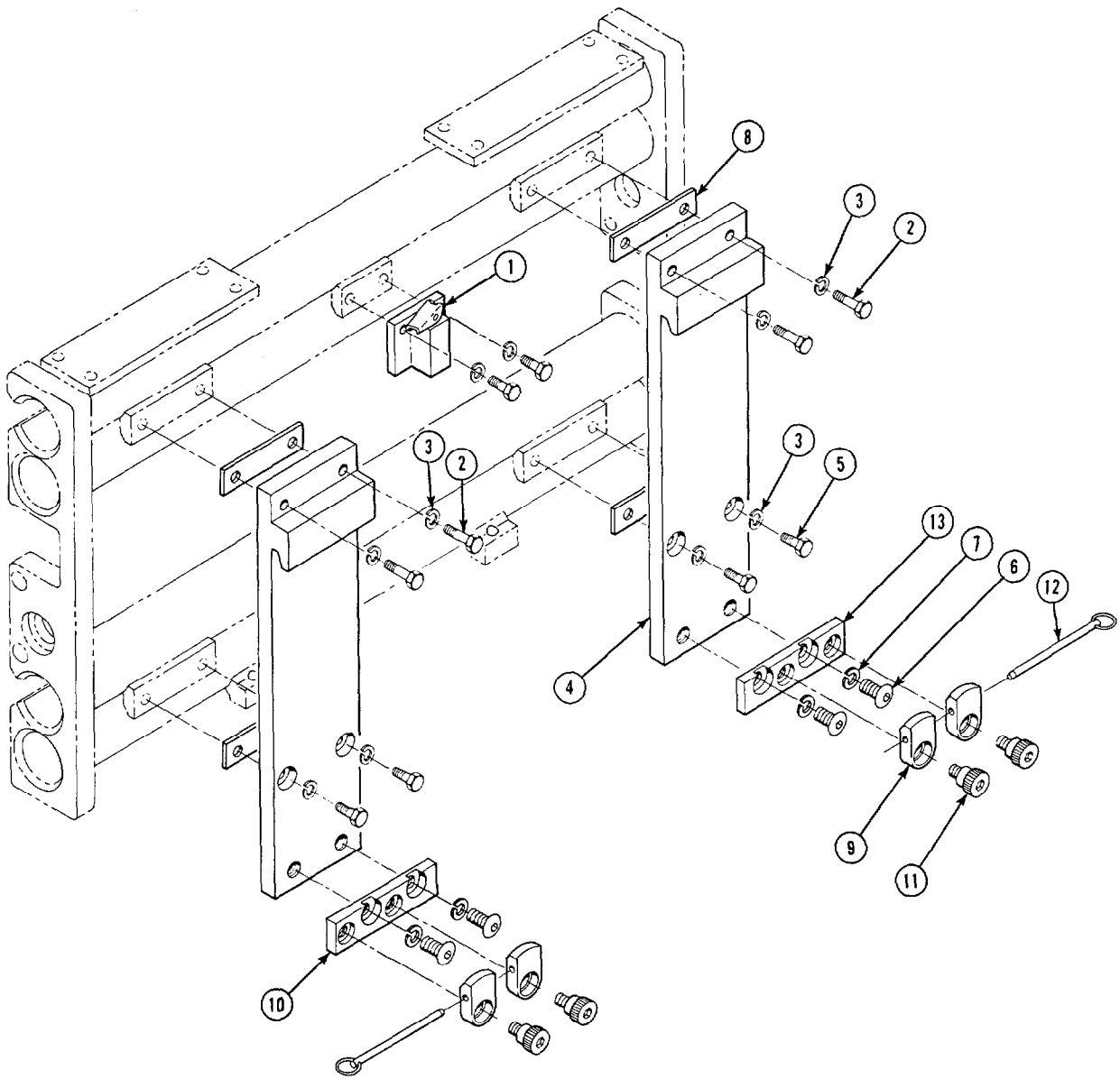
REF. NO.	QTY.	PART NO.	DESCRIPTION
		C-730793	Mounting Group
1	2	C-625354	Bar, Mounting
*2	1	C-737006	Centering Lug
*3	2	C-734769	Latch
*4	4	C-4884	Capscrew
*5	4	C-6413	Lockwasher
6	10	C-3654	Capscrew
7	10	C-6411	Lockwasher
8	4	C-625360	Spacer
*9	4	C-730656	Shoulder Screw
*10	2	C-734755	Pin
*11	1	C-730660	Bar Adapter L.H.
*12	1	C-730661	Bar Adapter R.H.
		C-731058	Field Conversion Kit

\*Included in field conversion kit.

# Quick-Change Mounting Group

C2G

Class II



REF. NO.	QTY.	PART NO.	DESCRIPTION
		C-731083	Mounting Group
1	1	C-737017	Centering Lug
2	4	C-3656	Capscrew
3	10	C-6290	Lockwasher
4	2	C-651897	Bar, Mounting
5	6	C-3654	Capscrew
*6	4	C-4884	Capscrew
*7	4	C-6413	Lockwasher
8	4	C-625384	Spacer
*9	4	C-734769	Latch
*10	1	C-730660	Bar Adapter, L.H.
*11	4	C-730656	Shoulder Screw
*12	2	C-734755	Pin
*13	1	C-730661	Bar Adapter, R.H.
		C-737042	Field Conversion Kit

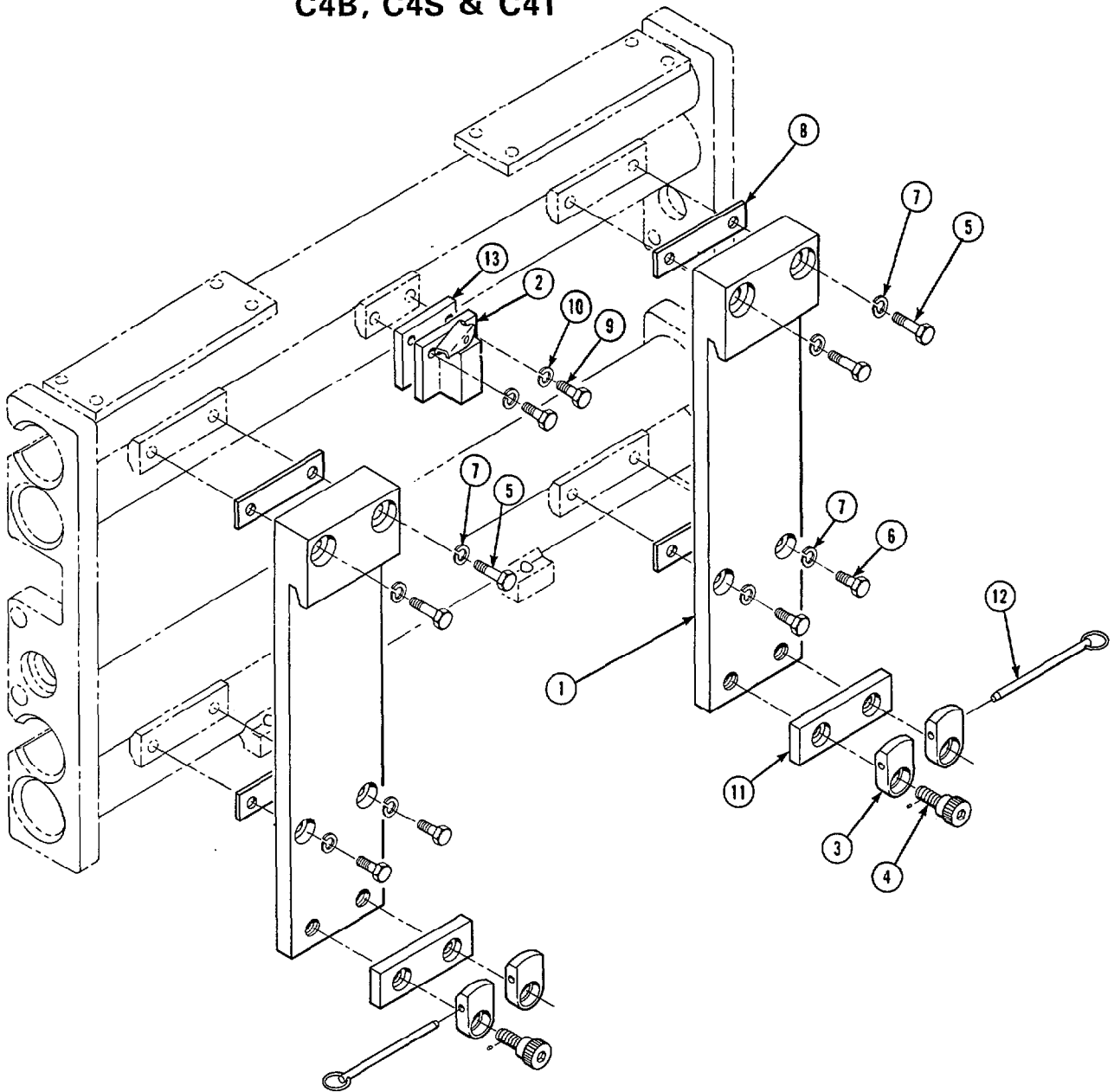
\*Included in field conversion kit.

# Quick-Change Mounting Group

C3A

C4B, C4S & C4T

Class II

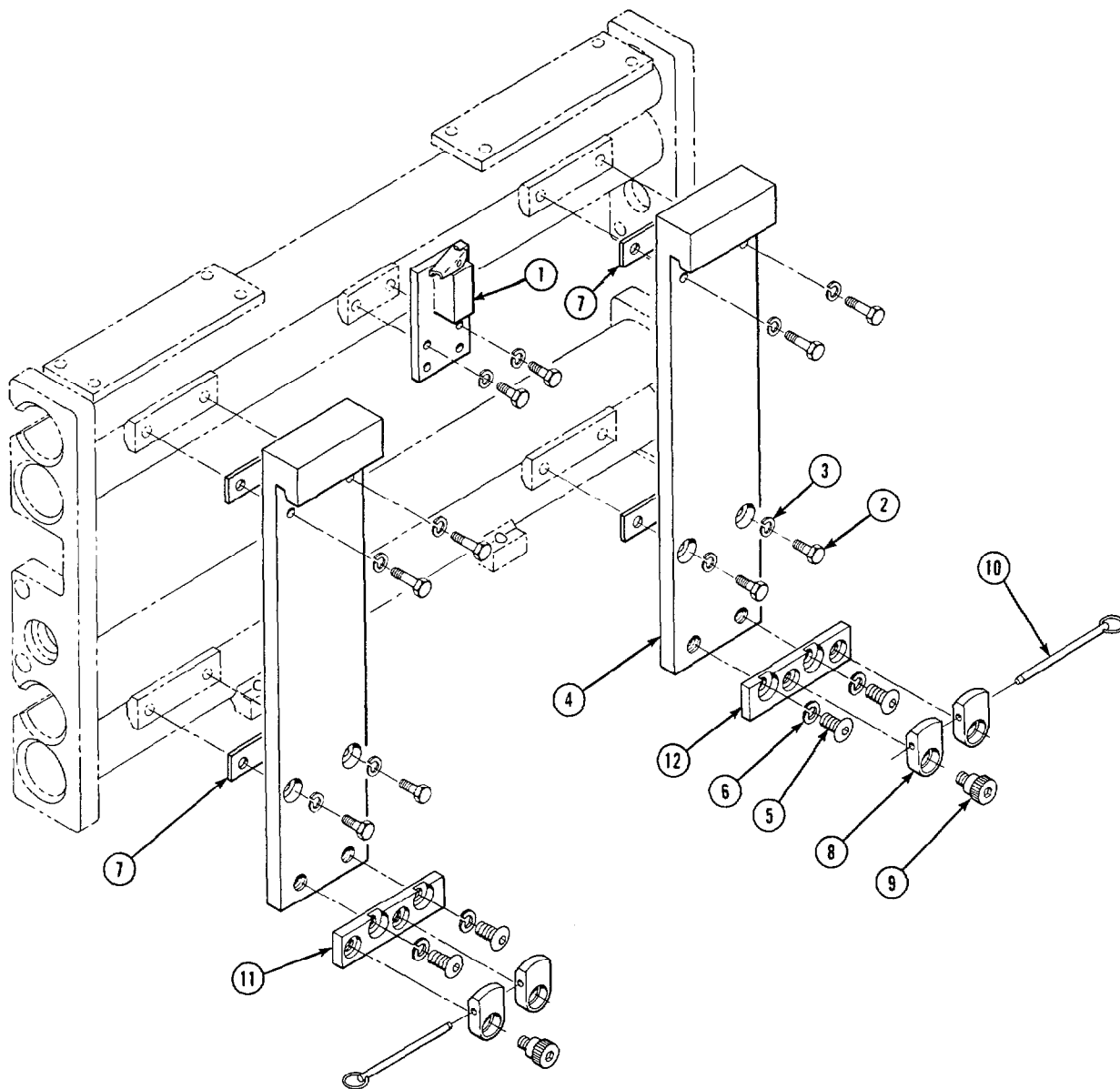


REF. NO.	QTY.	PART NO.	DESCRIPTION
		C-730692	Mounting Group
1	2	C-625460	Bar, Mounting
*2	1	C-737017	Centering Lug
*3	4	C-734769	Latch
*4	4	C-730683	Shoulder Screw
5	4	C-3714	Capscrew
6	4	C-3709	Capscrew
7	8	C-6292	Lockwasher
8	4	C-625424	Spacer
9	2	C-3654	Capscrew
10	2	C-6290	Lockwasher
*11	2	C-730693	Bar Adapter
*12	2	C-734770	Pin
*13	1	C-737020	Spacer
		C-731060	Field Conversion Kit

\*Included in field conversion kit.

# Quick-Change Mounting Group

## C3B, C3G, & C3S      Class II

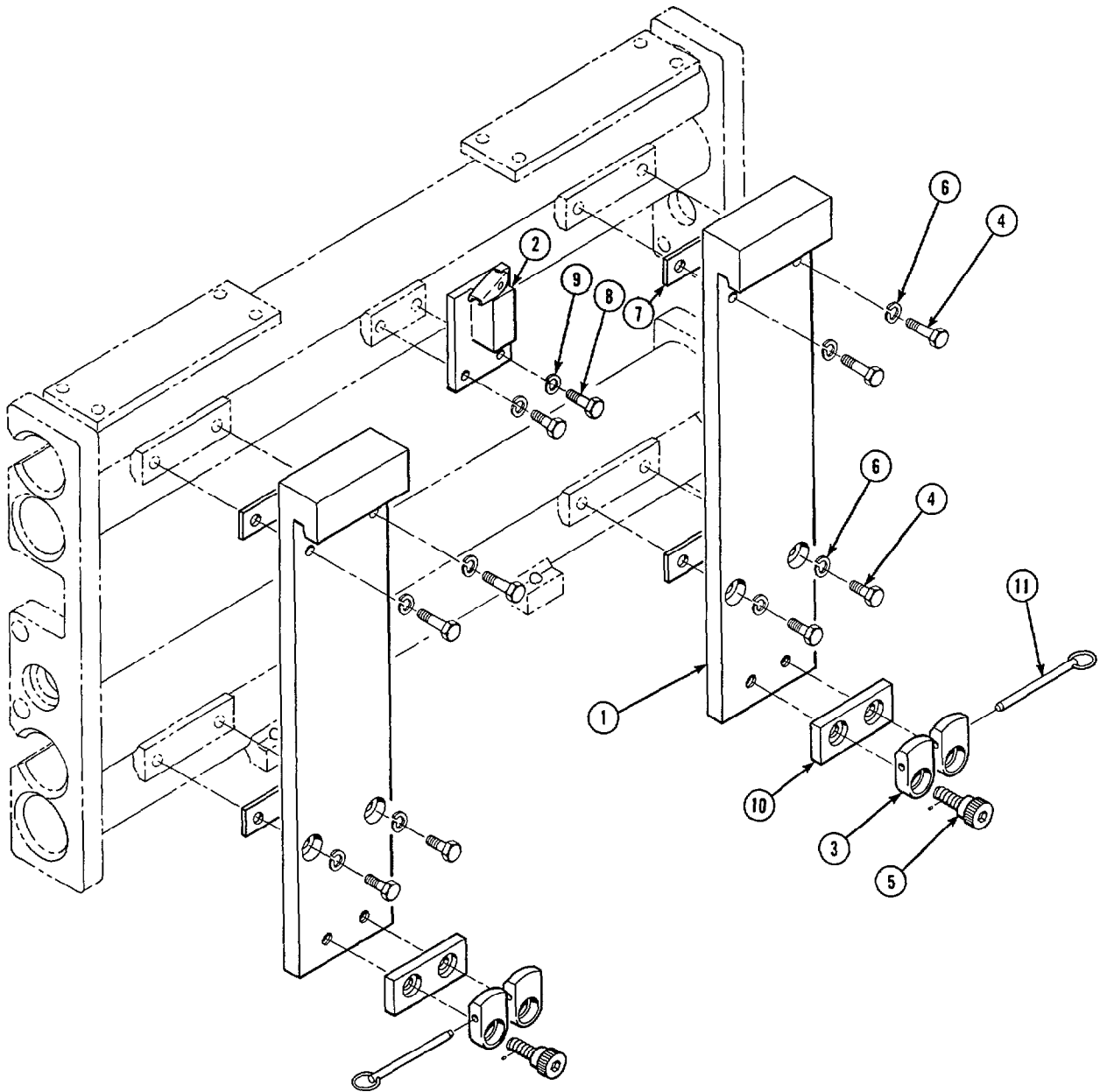


REF. NO.	QTY.	PART NO.	DESCRIPTION
		C-730643	Mounting Group
*1	1	C-737006	Centering Lug
2	10	C-3654	Capscrew
3	10	C-6290	Lockwasher
4	2	C-625379	Bar, Mounting
*5	4	C-4884	Capscrew
*6	4	C-6413	Lockwasher
7	4	C-625384	Spacer
*8	4	C-734769	Latch
*9	4	C-730656	Shoulder Screw
*10	2	C-734755	Pin
*11	1	C-730660	Bar Adapter L.H.
*12	1	C-730661	Bar Adapter R.H.
		C-731058	Field Conversion Kit

\*Included in field conversion kit.

# Quick-Change Mounting Group

C4B & C4S                      Class III



REF. NO.	QTY.	PART NO.	DESCRIPTION
		C-730731	Mounting Group
1	2	C-730733	Bar, Mounting
*2	1	C-737026	Centering Lug
*3	4	C-734774	Latch
4	8	C-3709	Capscrew
*5	4	C-730683	Shoulder Screw
6	8	C-6292	Lockwasher
7	4	C-625424	Spacer
8	2	C-3654	Capscrew
9	2	C-6290	Lockwasher
*10	2	C-730725	Bar Adapter
*11	2	C-734771	Pin
		C-731062	Field Conversion Kit

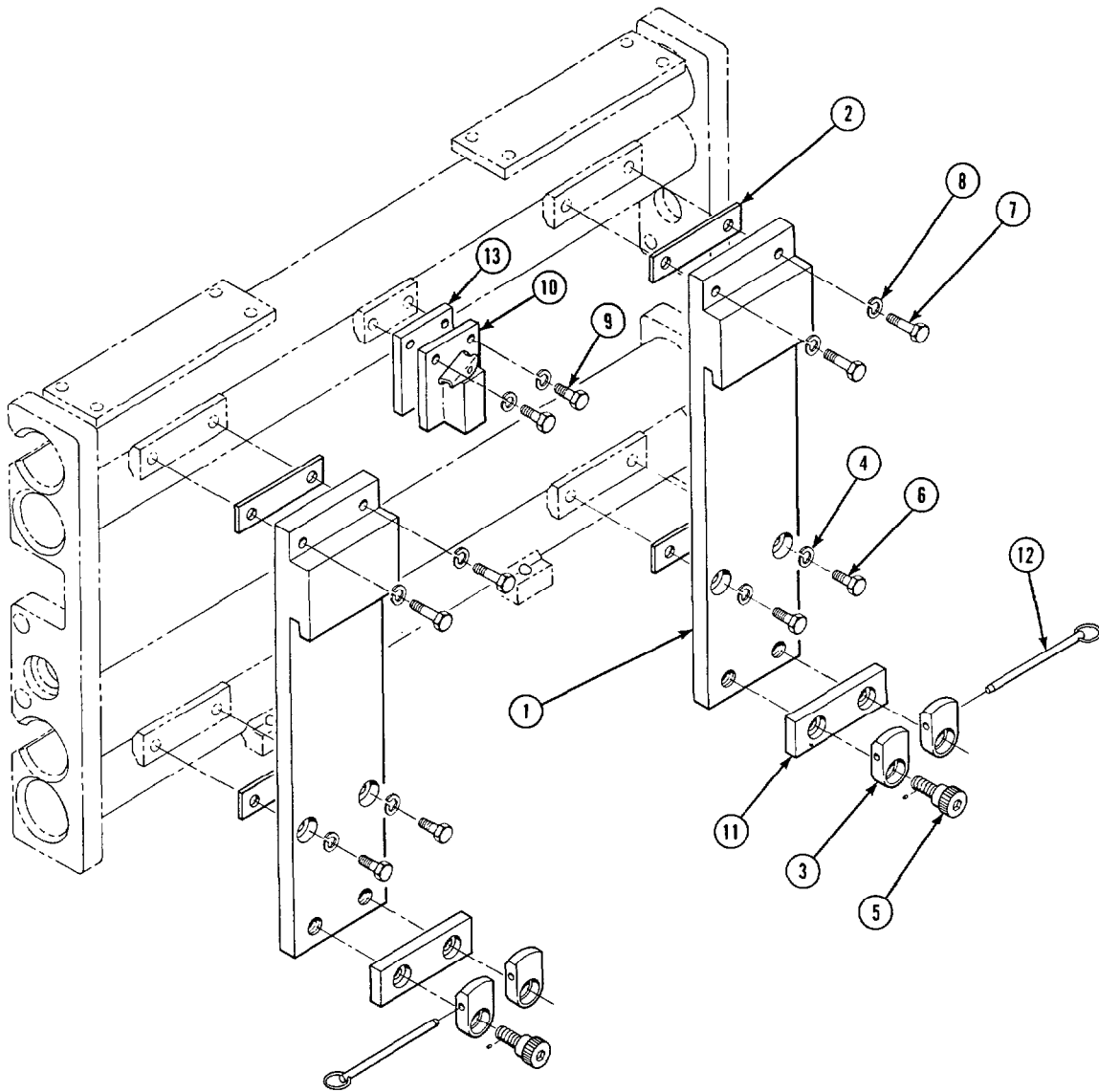
\*Included in field conversion kit.



# Quick-Change Mounting Group

C5G

Class II



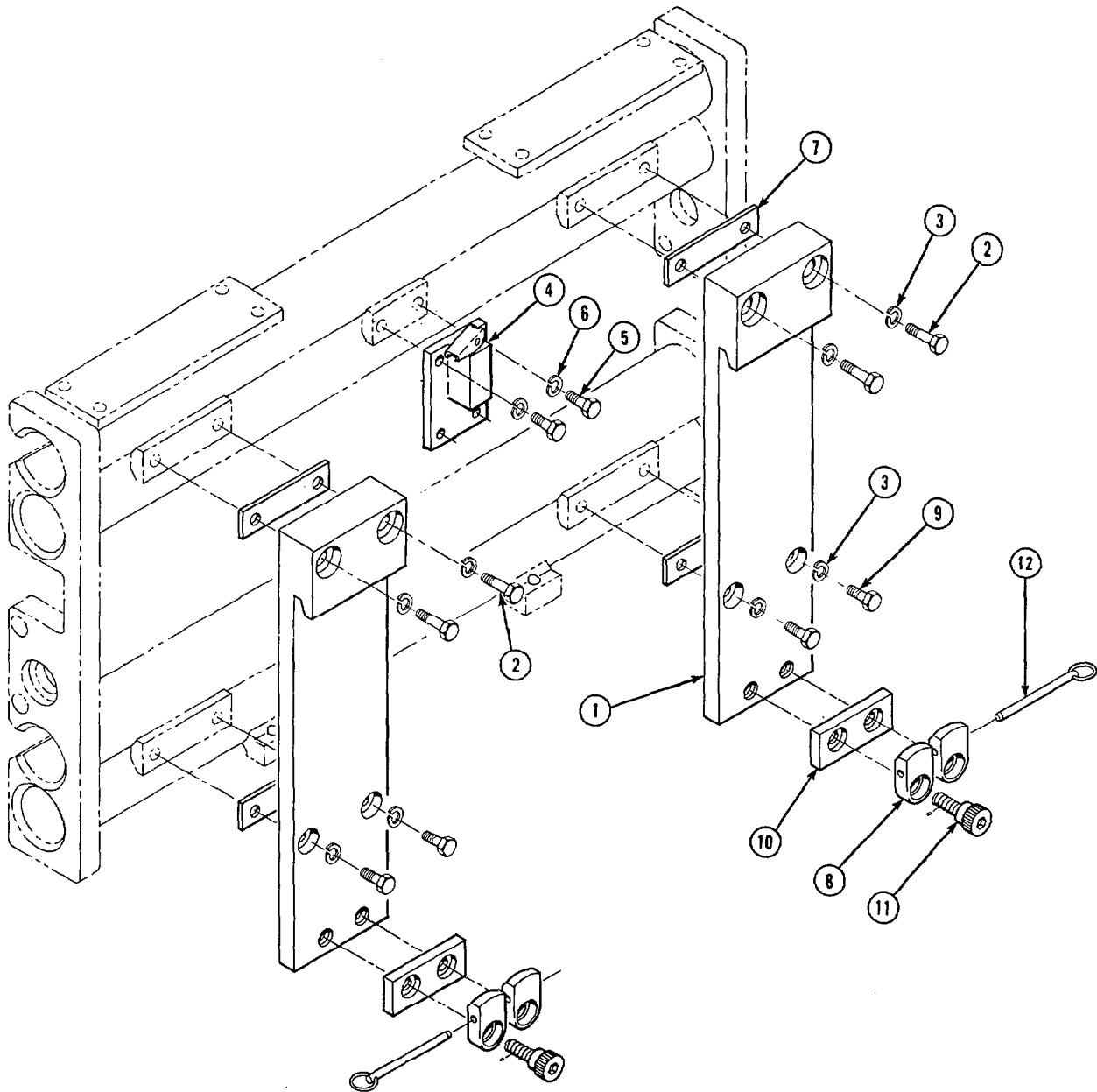
REF. NO.	QTY.	PART NO.	DESCRIPTION
		C-730794	Mounting Group
1	2	C-647617	Bar, Mounting
2	4	C-625424	Spacer
*3	4	C-734769	Latch
4	8	C-6292	Lockwasher
*5	4	C-730683	Shoulder Screw
6	4	C-3709	Cap screw
7	4	C-3711	Cap screw
8	2	C-6290	Lockwasher
9	2	C-3654	Cap screw
*10	1	C-737024	Centering Lug
*11	2	C-730693	Bar Adapter
*12	2	C-734770	Pin
*13	1	C-737020	Spacer
		C-737041	Field Conversion Kit

\*Included in field conversion kit.

# Quick-Change Mounting Group

C6B & C6S

Class III



REF. NO.	QTY.	PART NO.	DESCRIPTION
		C-730724	Mounting Group
1	2	C-730726	Bar, Mounting
2	4	C-3716	Capscrew
3	8	C-6292	Lockwasher
*4	1	C-737026	Centering Lug
5	2	C-3654	Capscrew
6	2	C-6290	Lockwasher
7	4	C-625424	Spacer
*8	4	C-734774	Latch
9	4	C-3709	Capscrew
*10	2	C-730725	Bar Adapter
*11	4	C-730683	Shoulder Screw
*12	2	C-734771	Pin
		C-731070	Field Conversion Kit

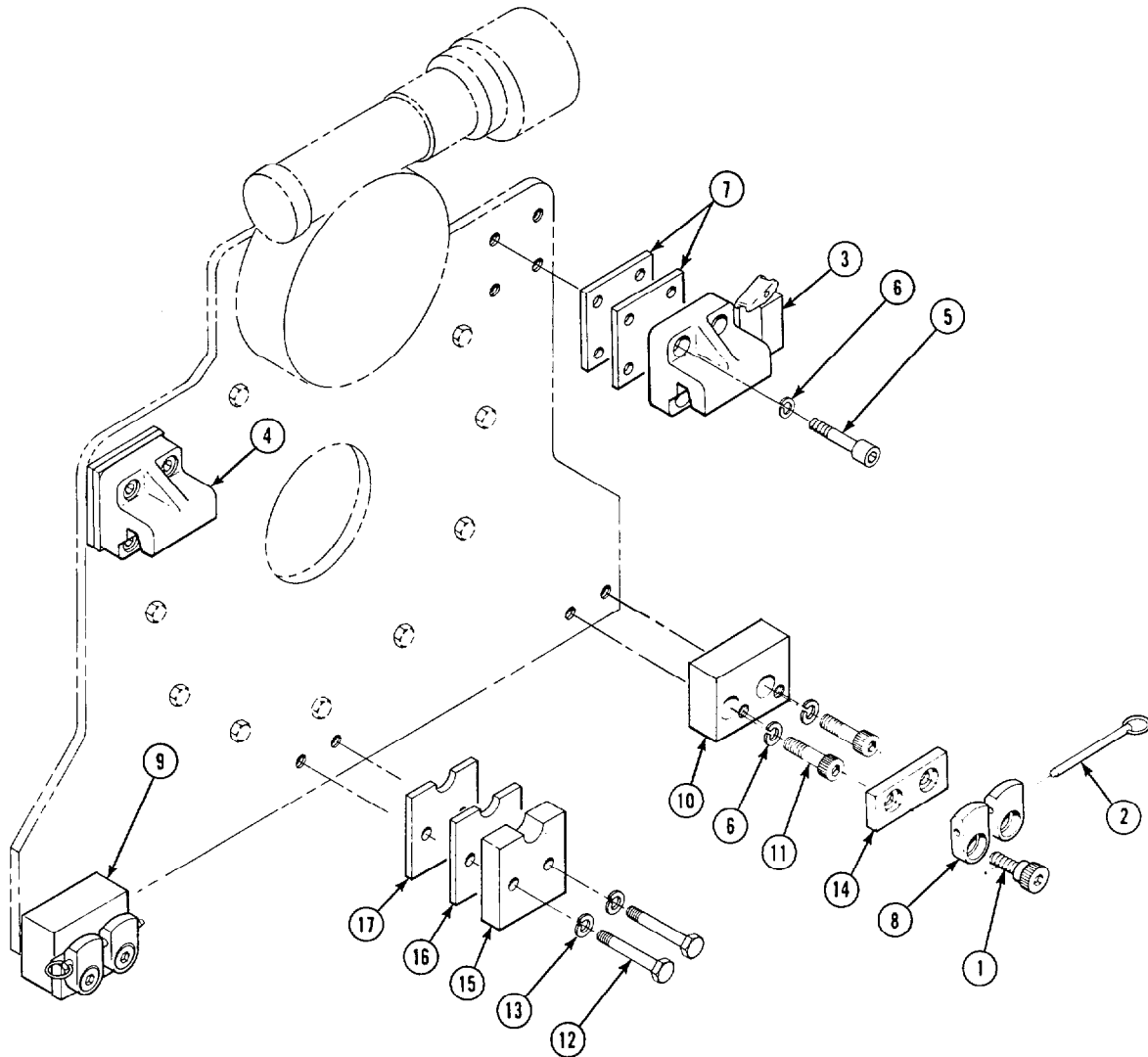
\*Included in field conversion kit.

# Quick-Change Mounting Group

C2R

C3P, C3R & R3R

Class II-4°



REF. NO.	QTY.	PART NO.	DESCRIPTION
		C-730709	Mounting Group
*1	4	C-730683	Shoulder Screw
*2	2	C-734771	Pin
*3	1	C-737015	Hook, Upper
4	1	C-625447	Hook, Upper
5	8	C-607087	Capscrew
6	12	C-6447	Lockwasher
7	4	C-630519	Spacer
*8	4	C-734769	Latch
*9	1	C-730710	Bar Spacer L.H.
*10	1	C-730711	Bar Spacer R.H.
*11	4	C-607084	Capscrew
12	2	C-3606	Capscrew
13	2	C-6288	Lockwasher
*14	2	C-730685	Bar Adapter
15	2	C-638981	Pad
16	4	C-640499	Pad
17	2	C-640510	Pad
		C-731063	Field Conversion Kit

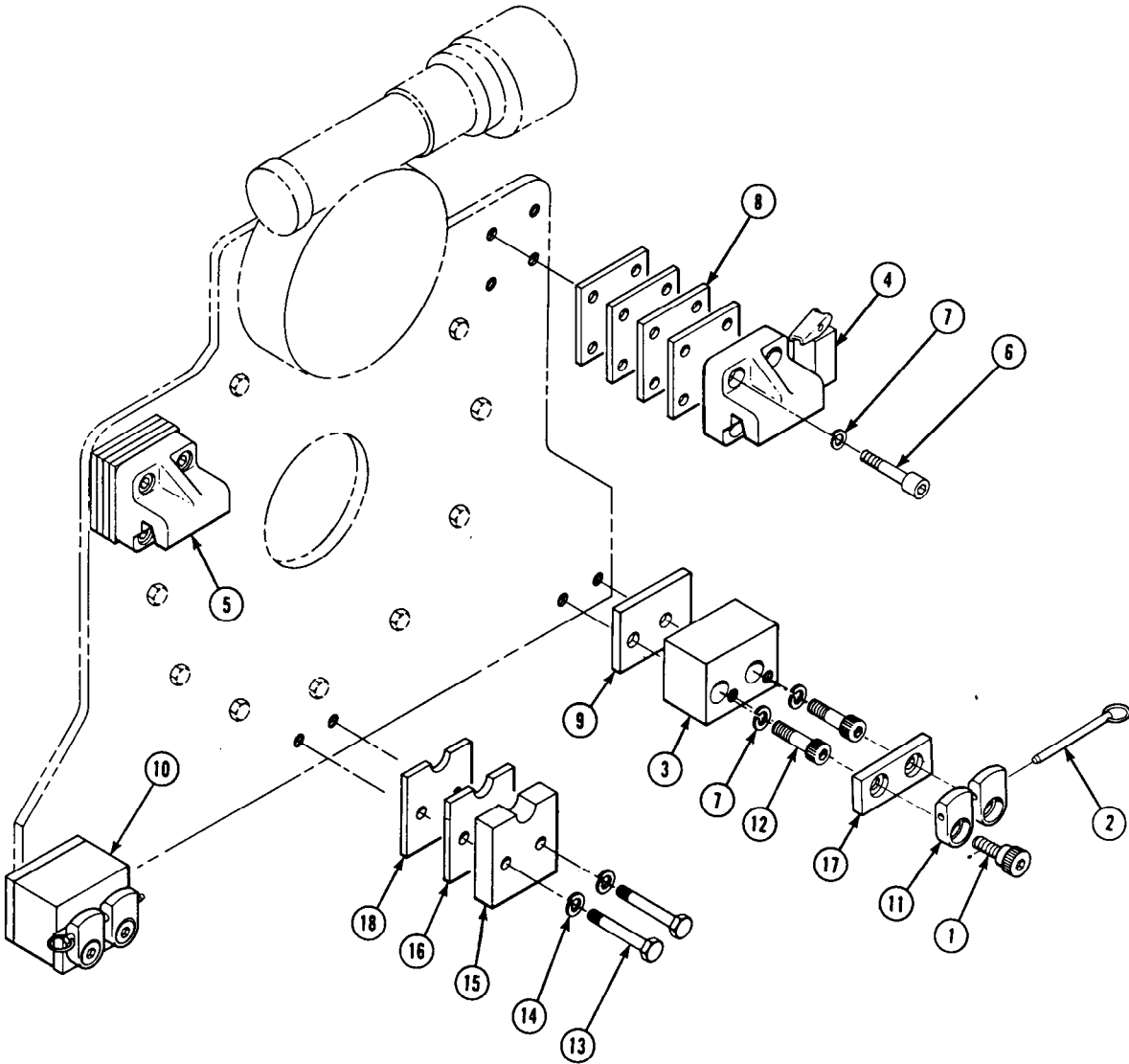
\*Included in field conversion kit.

# Quick-Change Mounting Group

C2R

C3P, C3R & R3R

Class II-0°



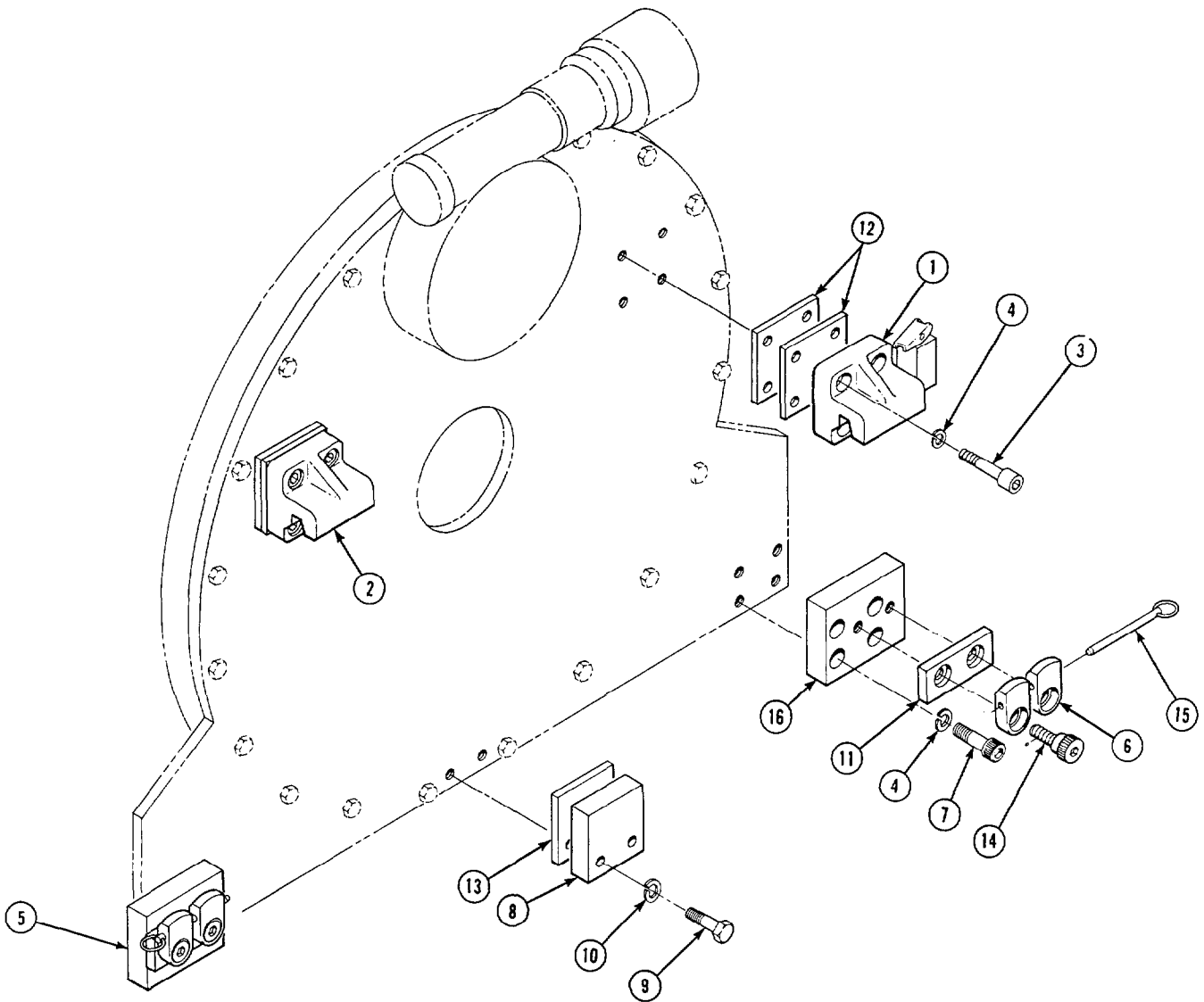
REF. NO.	QTY.	PART NO.	DESCRIPTION
		C-730677	Mounting Group
*1	4	C-730683	Shoulder Screw
*2	2	C-734771	Pin
*3	1	C-730687	Bar Spacer R.H.
*4	1	C-737015	Hook, Upper
5	1	C-625447	Hook, Upper
6	8	C-607089	Capscrew
7	12	C-6447	Lockwasher
8	8	C-630519	Spacer
9	2	C-627369	Pad
*10	1	C-730686	Bar Spacer L.H.
*11	4	C-734769	Latch
*12	4	C-607090	Capscrew
13	2	C-3613	Capscrew
14	2	C-6288	Lockwasher
15	1	C-638975	Pad
16	1	C-638981	Pad
*17	2	C-730685	Bar Adapter
18	1	C-640510	Pad
		C-731064	Field Conversion Kit

\*Included in field conversion kit.

# Quick-Change Mounting Group

C4P, C4R & R4R

Class II-4°



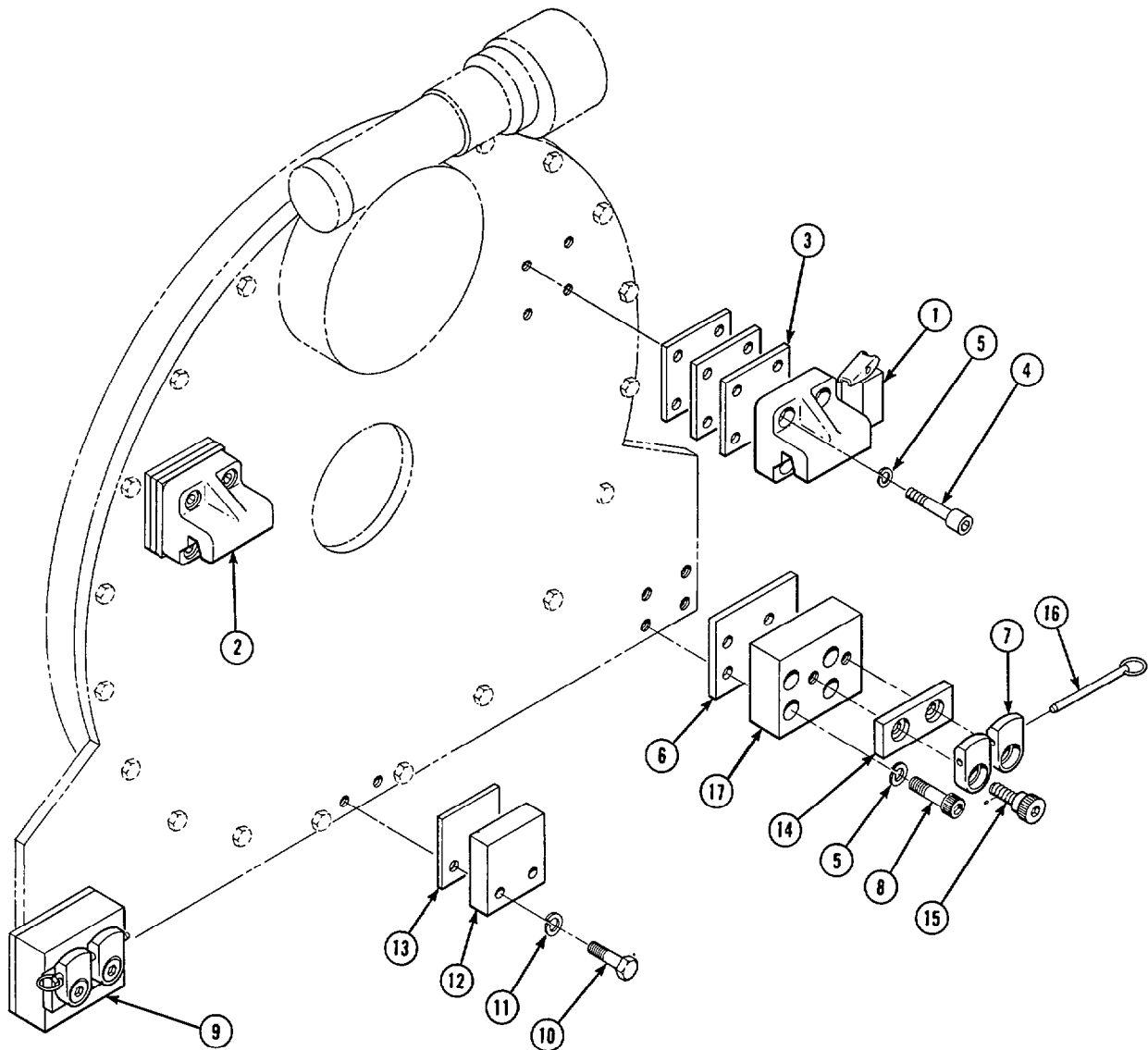
REF. NO.	QTY.	PART NO.	DESCRIPTION
		C-735165	Mounting Group
*1	1	C-737015	Hook, Upper
2	1	C-625447	Hook, Upper
3	8	C-607087	Capscrew
*4	16	C-6447	Lockwasher
*5	1	C-735167	Bar Spacer L.H.
*6	4	C-734769	Latch
*7	8	C-607084	Capscrew
8	2	C-639229	Spacer
9	2	C-3606	Capscrew
10	2	C-6288	Lockwasher
*11	2	C-730685	Bar Adapter
12	4	C-630519	Spacer
13	1	C-640506	Spacer
*14	4	C-730683	Shoulder Screw
*15	2	C-734771	Pin
*16	1	C-735168	Bar Spacer R.H.
		C-735166	Field Conversion Kit

\*Included in field conversion kit.

# Quick-Change Mounting Group

C4P, C4R & R4R

Class II-0°



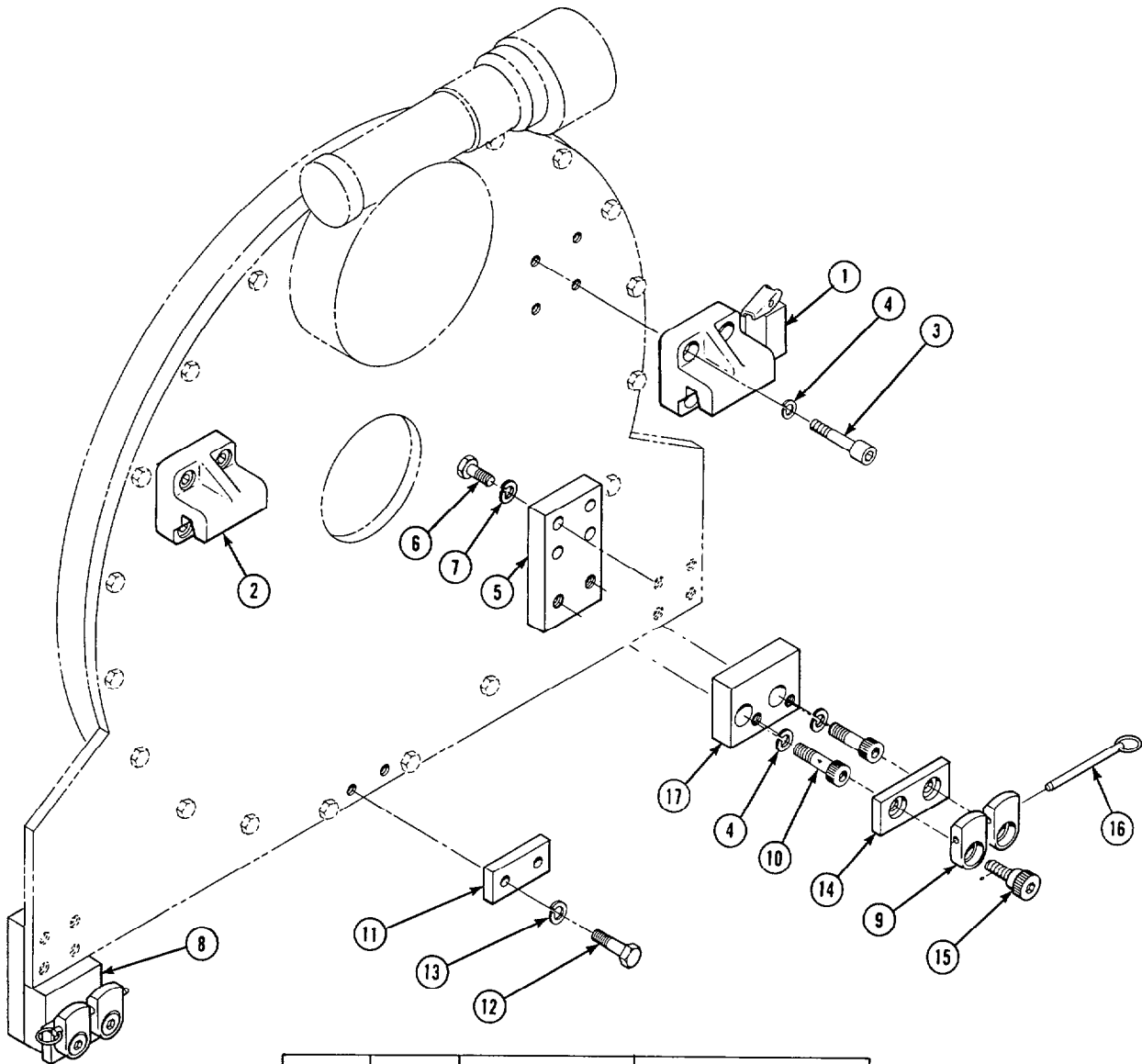
REF. NO.	QTY.	PART NO.	DESCRIPTION
		C-735169	Mounting Group
*1	1	C-737015	Hook, Upper
2	1	C-625447	Hook, Upper
3	6	C-630519	Spacer
4	8	C-607088	Capscrew
*5	16	C-6447	Lockwasher
*6	2	C-735173	Spacer
*7	4	C-734769	Latch
*8	8	C-607089	Capscrew
*9	1	C-735171	Bar Spacer, L.H.
10	2	C-3612	Capscrew
11	2	C-6288	Lockwasher
12	1	C-639229	Spacer
13	1	C-639230	Spacer
*14	2	C-730685	Bar Adapter
*15	4	C-730683	Shoulder Screw
*16	2	C-734771	Pin
*17	1	C-735172	Bar Spacer R.H.
		C-735170	Field Conversion Kit

\*Included in field conversion kit.

# Quick-Change Mounting Group

C4P, C4R & R4R

Class III-4<sup>o</sup>



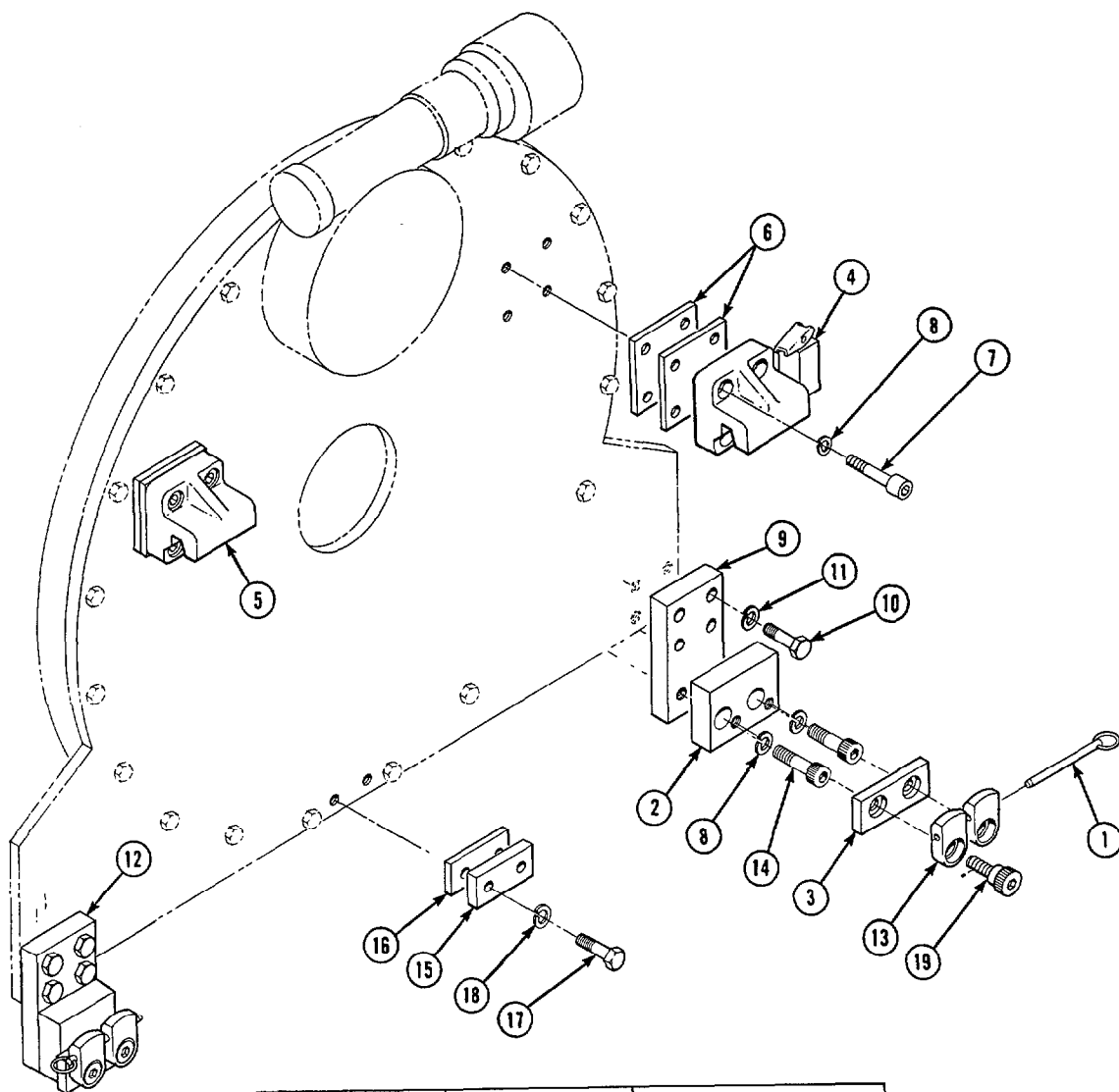
REF. NO.	QTY.	PART NO.	DESCRIPTION
		C-730738	Mounting Group
*1	1	C-735411	Hook, Upper
2	1	C-625452	Hook, Upper
3	8	C-607085	Cap screw
4	12	C-6447	Lockwasher
5	2	C-622127	Extension
6	8	C-3708	Cap screw
7	8	C-6292	Lockwasher
*8	1	C-730739	Bar Spacer L.H.
*9	4	C-734774	Latch
*10	4	C-607085	Cap screw
11	1	C-639228	Spacer
12	2	C-4750	Cap screw
13	2	C-6441	Lockwasher
*14	2	C-730725	Bar Adapter
*15	4	C-730683	Shoulder Screw
*16	2	C-734771	Pin
*17	1	C-730740	Bar Spacer R.H.
		C-731067	Field Conversion Kit

\*Included in field conversion kit.

# Quick-Change Mounting Group

C4P, C4R, & R4R

Class III-0°



REF. NO.	QTY.	PART NO.	DESCRIPTION
		C-730741	Mounting Group
*1	2	C-734771	Pin
*2	1	C-730740	Bar Spacer R.H.
*3	2	C-730725	Bar Adapter
*4	1	C-735411	Hook, Upper
5	1	C-625452	Hook, Upper
6	4	C-630519	Spacer
7	8	C-607087	Capscrew
8	12	C-6447	Lockwasher
9	2	C-622127	Extension
10	8	C-3708	Capscrew
11	8	C-6292	Lockwasher
*12	1	C-730739	Bar Spacer L.H.
*13	4	C-734774	Latch
*14	4	C-607085	Capscrew
15	1	C-639226	Spacer
16	1	C-639227	Spacer
17	2	C-4757	Capscrew
18	2	C-6441	Lockwasher
*19	4	C-730683	Shoulder Screw
		C-731067	Field Conversion Kit

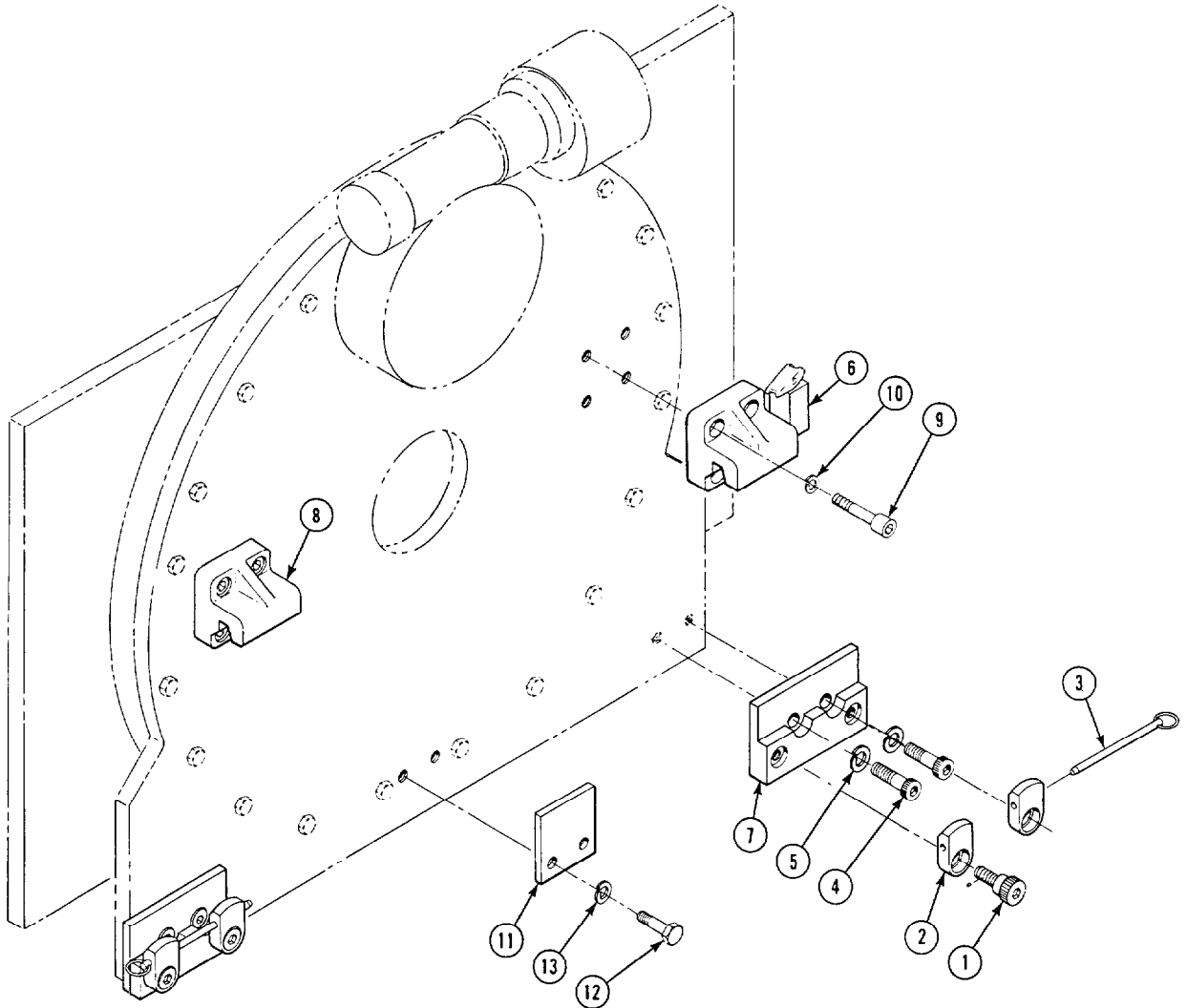
\*Included in field conversion kit.



# Quick-Change Mounting Group

C6P, C6R & R6R  
C7P (Model 70C only)

Class III-4°



**NOTE**

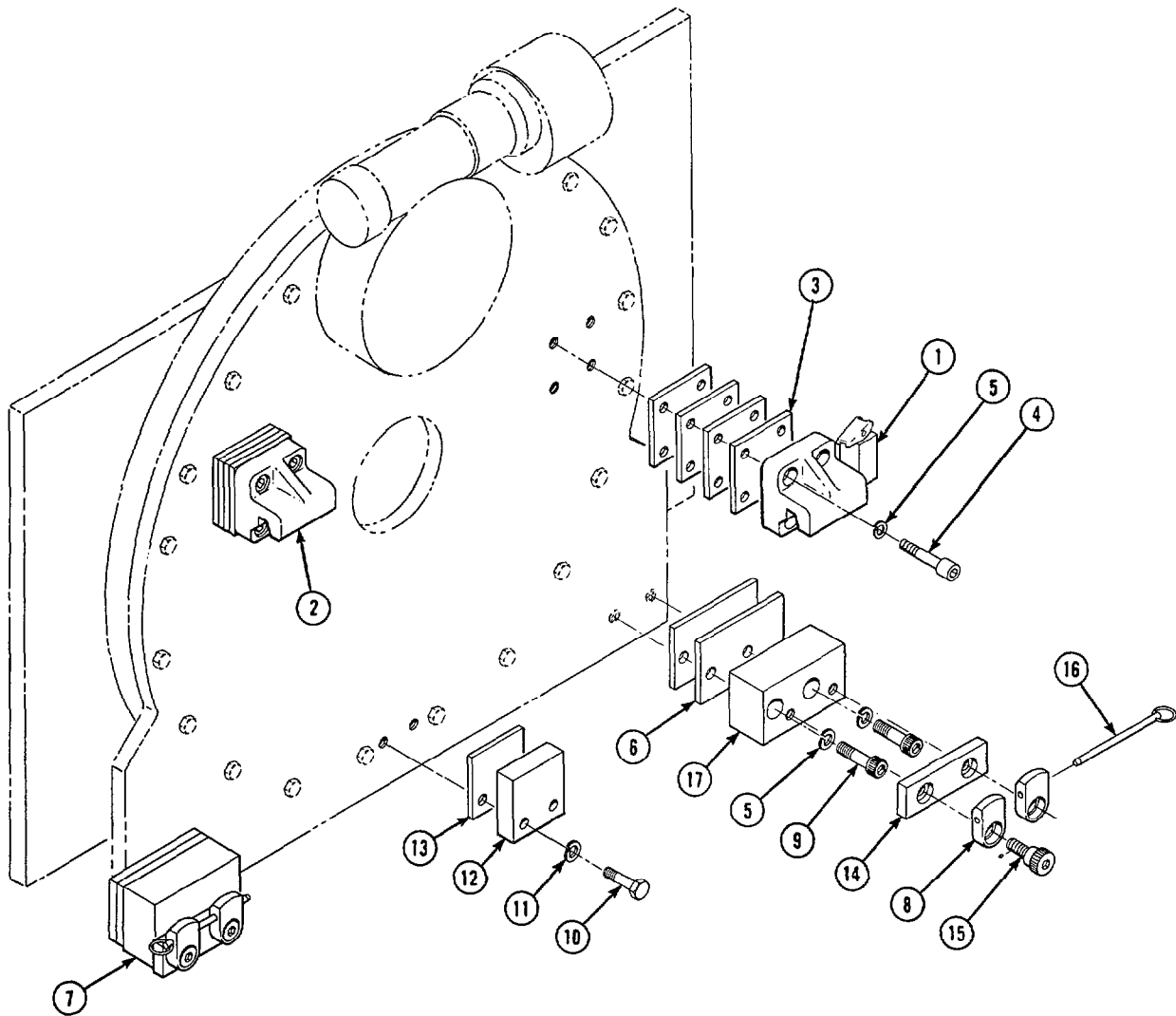
For field conversion, order complete mounting group.

REF. NO.	QTY.	PART NO.	DESCRIPTION
		C-730786	Mounting Group
1	4	C-730656	Shoulder Screw
2	4	C-734774	Latch
3	2	C-734781	Pin
4	4	C-4780	Capscrew
5	4	C-6395	Lockwasher
6	1	C-735411	Upper Hook
7	2	C-730787	Bar Adapter
8	1	C-625452	Upper Hook
9	8	C-607085	Capscrew
10	8	C-6447	Lockwasher
11	1	C-630520	Pad
12	2	C-3707	Capscrew
13	2	C-6292	Lockwasher

# Quick-Change Mounting Group

C6R & R6R

Class III-0°



REF. NO.	QTY.	PART NO.	DESCRIPTION
		C-730743	Mounting Group
*1	1	C-735411	Hook, Upper
2	1	C-625452	Hook, Upper
3	8	C-630519	Spacer, Upper Hook
4	8	C-607089	Capscrew
5	12	C-6447	Lockwasher
6	4	C-640499	Pad
*7	1	C-730745	Bar Spacer L.H.
*8	4	C-734774	Latch
*9	4	C-607087	Capscrew
10	2	C-3717	Capscrew
11	2	C-6292	Lockwasher
12	1	C-630521	Pad
13	1	C-640545	Spacer
*14	2	C-730744	Bar Adapter
*15	4	C-730683	Shoulder Screw
*16	2	C-734755	Pin
*17	1	C-730746	Bar Spacer R.H.
		C-731073	Field Conversion Kit

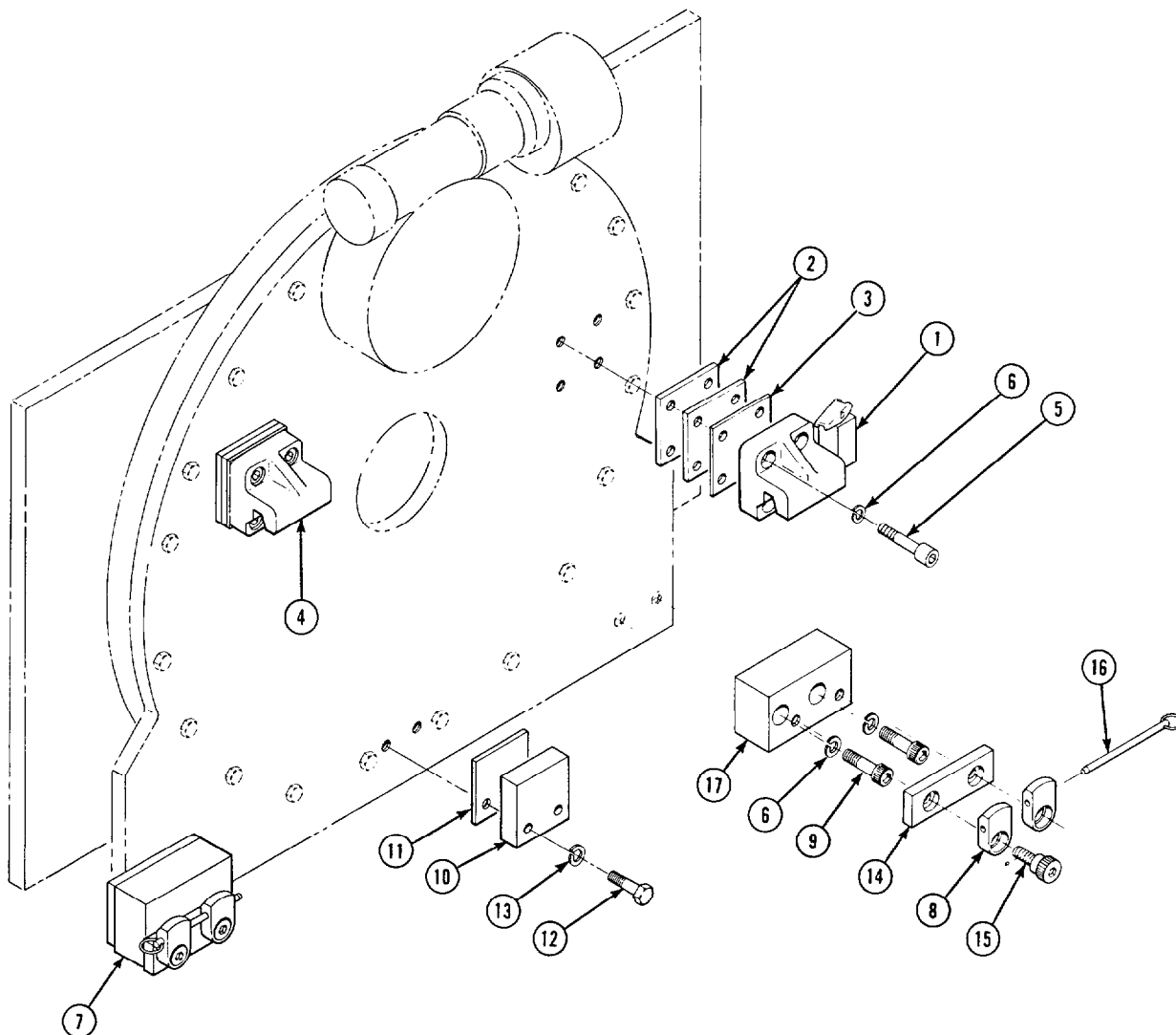
\*Included in field conversion kit.

# Quick-Change Mounting Group

C6P

C7P (Model 70C only)

Class III-0°



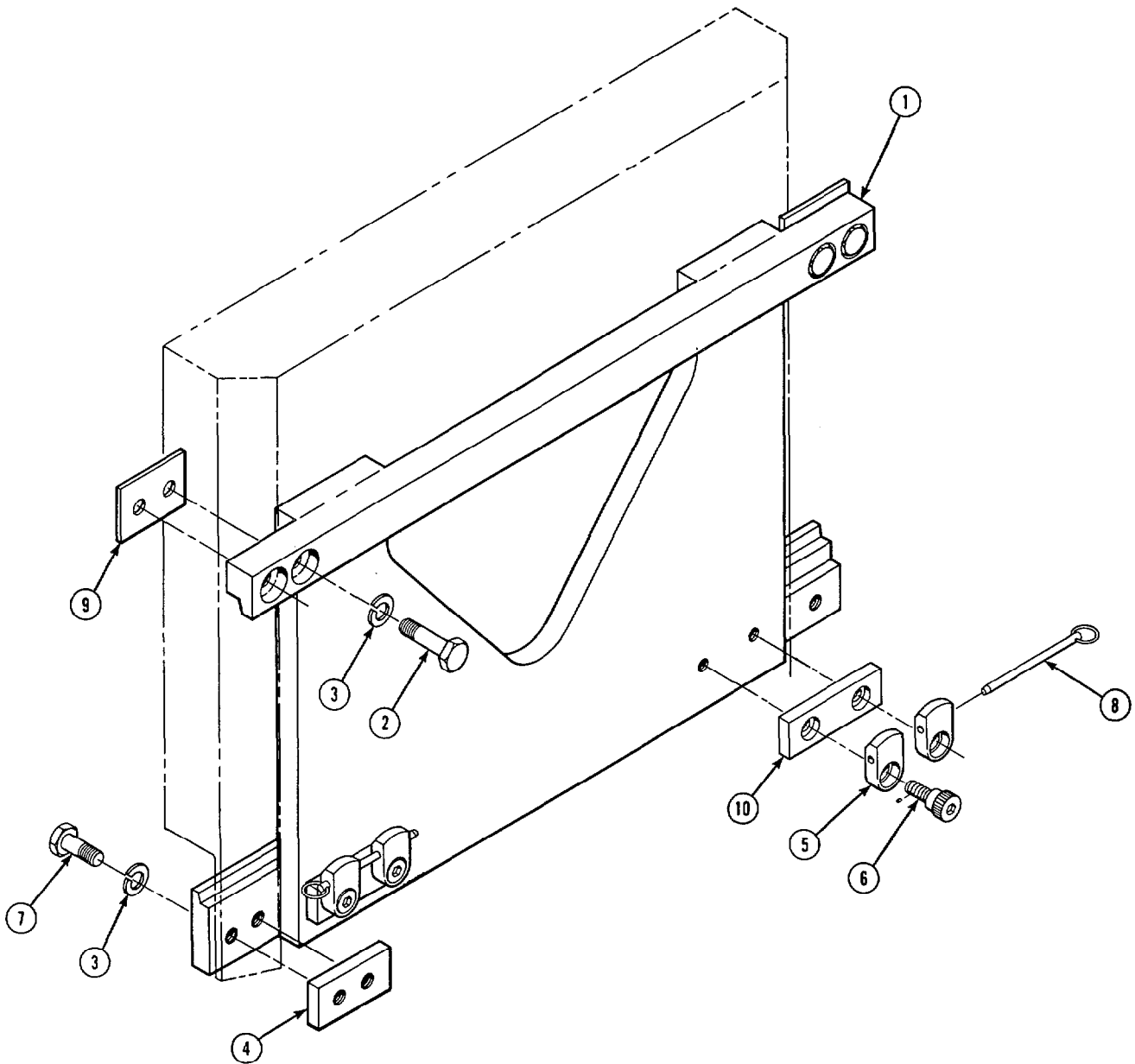
REF. NO.	QTY.	PART NO.	DESCRIPTION
		C-730747	Mounting Group
*1	1	C-735411	Hook, Upper
2	4	C-630519	Spacer
3	2	C-650089	Spacer
4	1	C-625452	Hook, Upper
5	8	C-607089	Cap screw
6	2	C-6447	Lockwasher
*7	1	C-730745	Bar Spacer L.H.
*8	4	C-734774	Latch
*9	4	C-607087	Cap screw
10	1	C-630521	Pad, Center
11	1	C-650090	Spacer
12	2	C-3717	Cap screw
13	2	C-6292	Lockwasher
*14	2	C-730744	Bar Adapter
*15	4	C-730683	Shoulder Screw
*16	2	C-734755	Pin
*17	1	C-730746	Bar, Spacer R.H.
		C-731073	Field Conversion Kit

\*Included in field conversion kit.

# Quick-Change Mounting Group

L5B & P5B

Class II

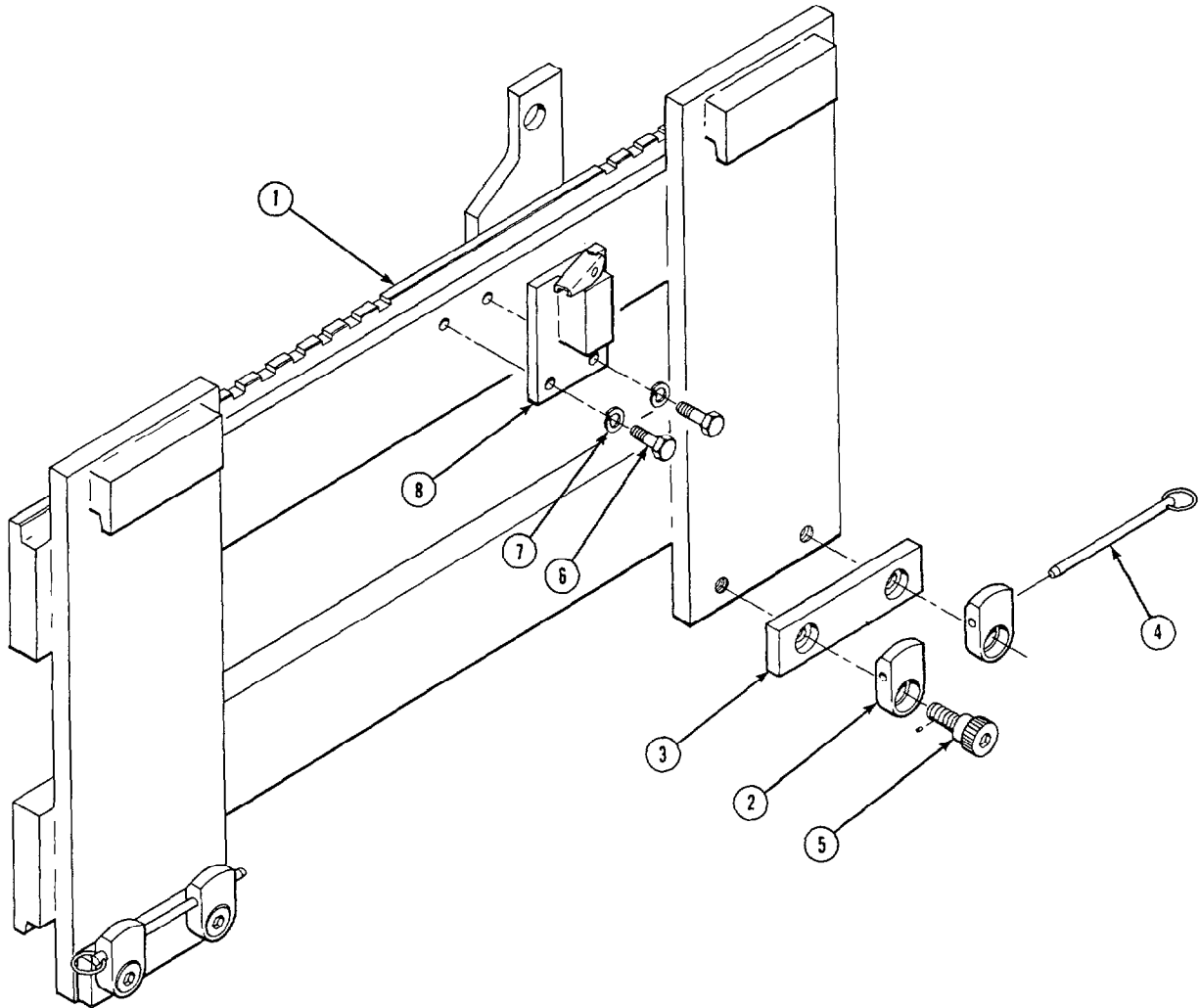


REF. NO.	QTY.	PART NO.	DESCRIPTION
		C-730695	Mounting Group
1	1	C-629936	Carrier Assembly
2	4	C-3654	Cap screw
3	8	C-6290	Lockwasher
4	2	C-642352	Spacer
*5	4	C-734772	Latch
*6	4	C-730683	Shoulder Screw
7	4	C-3656	Cap screw
*8	2	C-734755	Pin
9	2	C-642353	Spacer
*10	2	C-730697	Bar Adapter
		C-731069	Field Conversion Kit

\*Included in field conversion kit.

# Quick-Change Mounting Group

L5S & P5S Class II



**NOTE**

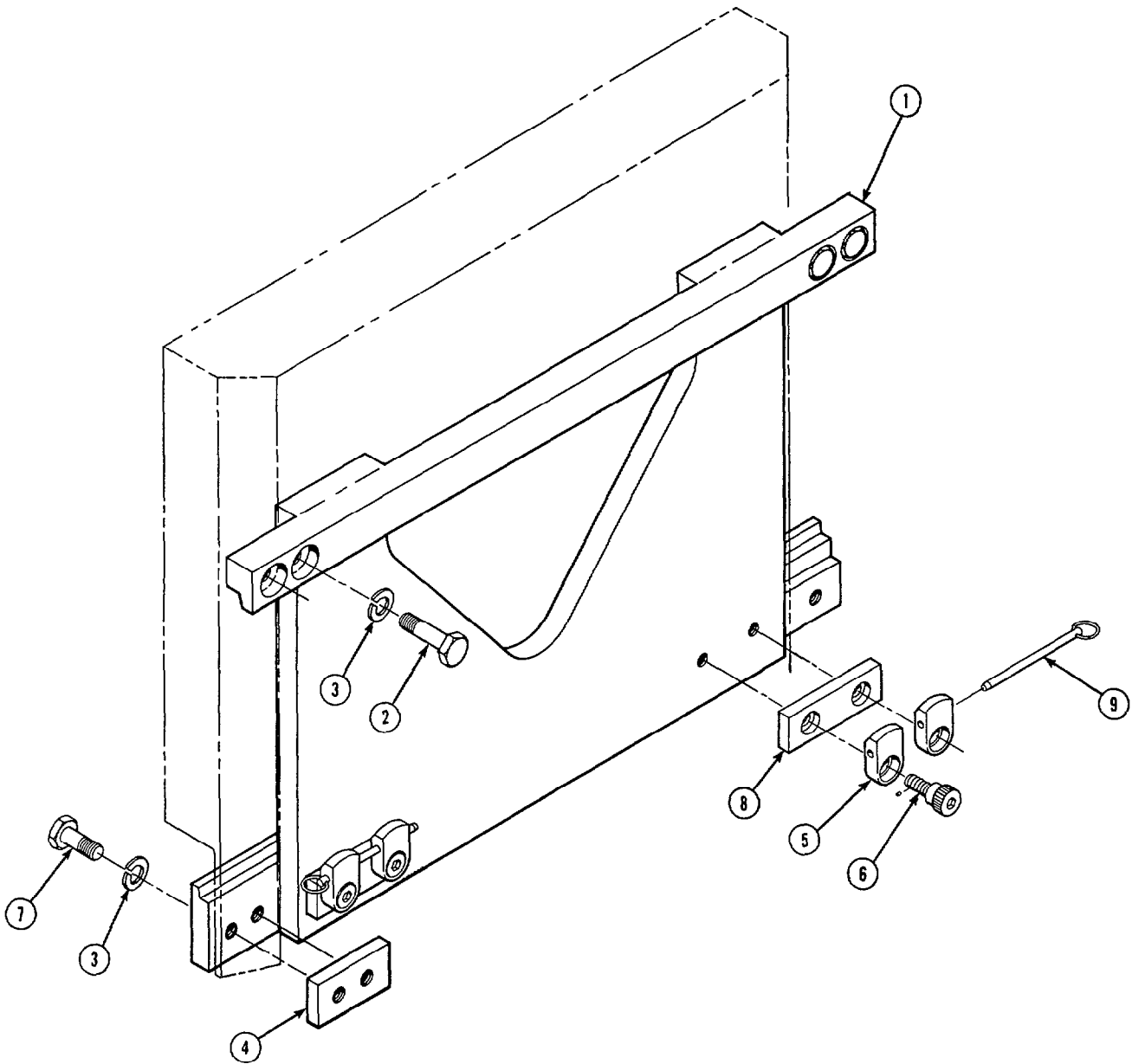
For field conversion, order complete mounting group.

REF. NO.	QTY.	PART NO.	DESCRIPTION
		C-730676	Mounting Group
1	1	C-730703	False Carriage
2	4	C-734769	Latch
3	2	C-730693	Bar Adapter
4	2	C-734770	Pin
5	4	C-730683	Shoulder Screw
6	2	C-3654	Capscrew
7	2	C-6290	Lockwasher
8	1	C-737012	Centering Lug

# Quick-Change Mounting Group

L7B & P7B

Class III



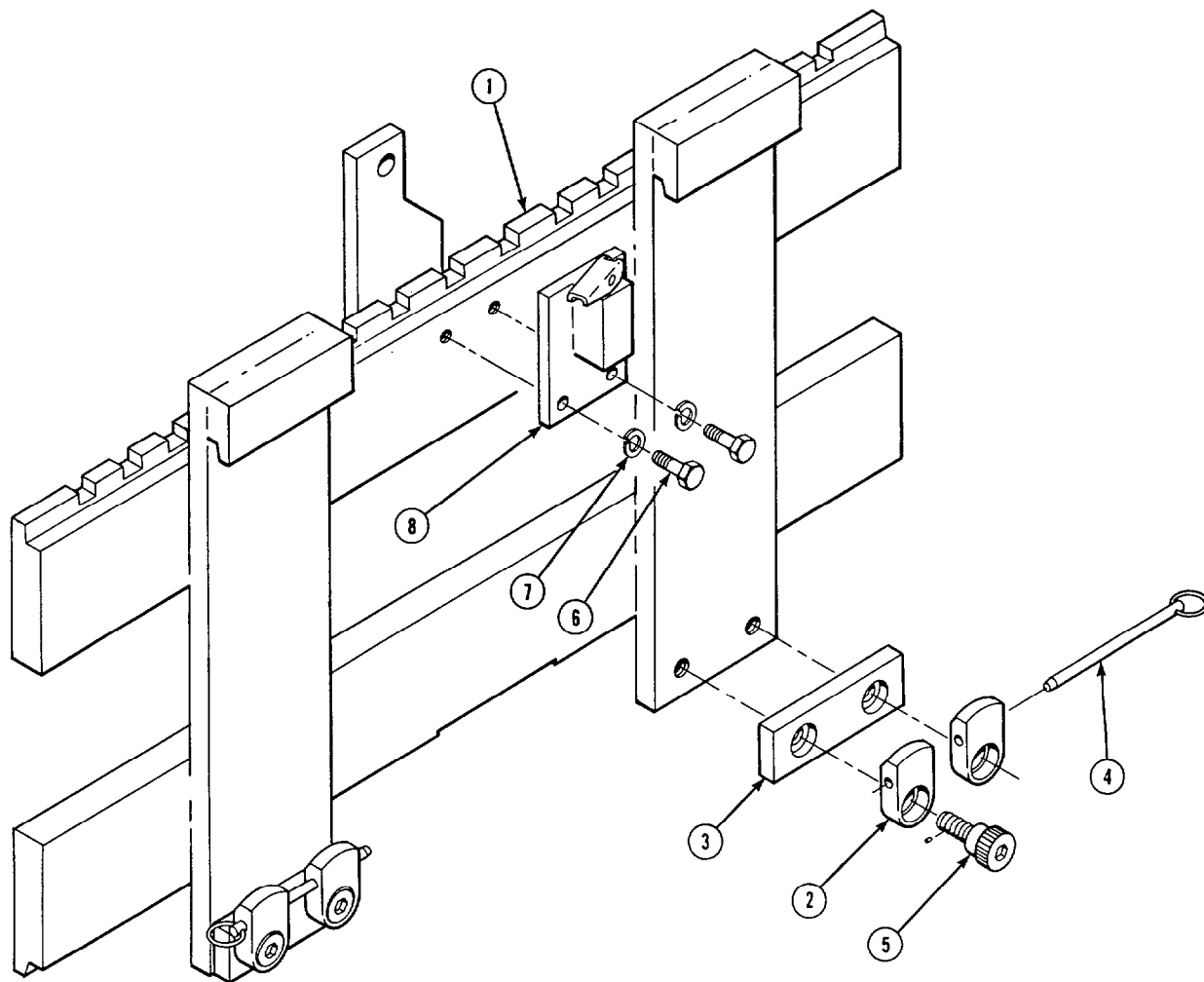
REF. NO.	QTY.	PART NO.	DESCRIPTION
		C-730713	Mounting Group
1	1	C-730716	Carrier Assembly
2	4	C-3710	Capscrew
3	8	C-6292	Lockwasher
4	2	C-629181	Spacer
*5	4	C-734774	Latch
*6	4	C-730683	Shoulder Screw
7	4	C-3711	Capscrew
*8	2	C-730715	Bar Adapter
*9	2	C-734775	Pin
		C-731075	Field Conversion Kit

\*Included in field conversion kit.

# Quick-Change Mounting Group

L7S & P7S

Class III



**NOTE**

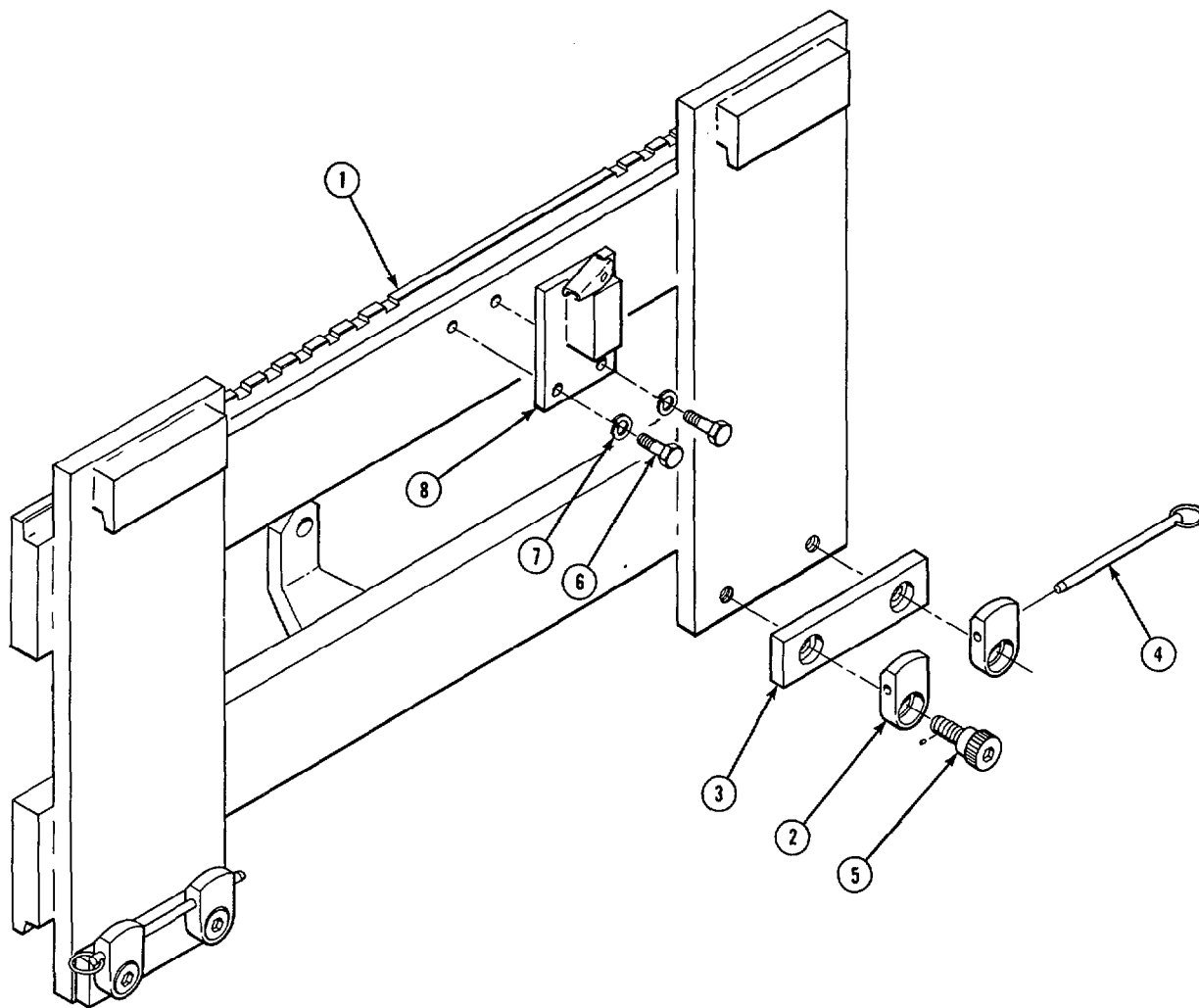
For field conversion, order complete mounting group.

REF. NO.	QTY.	PART NO.	DESCRIPTION
		C-730779	Mounting Group
1	1	C-730780	False Carriage
2	4	C-734774	Latch
3	2	C-730715	Bar Adapter
4	2	C-734775	Pin
5	4	C-730683	Shoulder Screw
6	2	C-3654	Capscrew
7	2	C-6290	Lockwasher
8	1	C-737038	Centering Lug

# Quick-Change Mounting Group

S2L

Class II



**NOTE**

For field conversion, order complete mounting group.

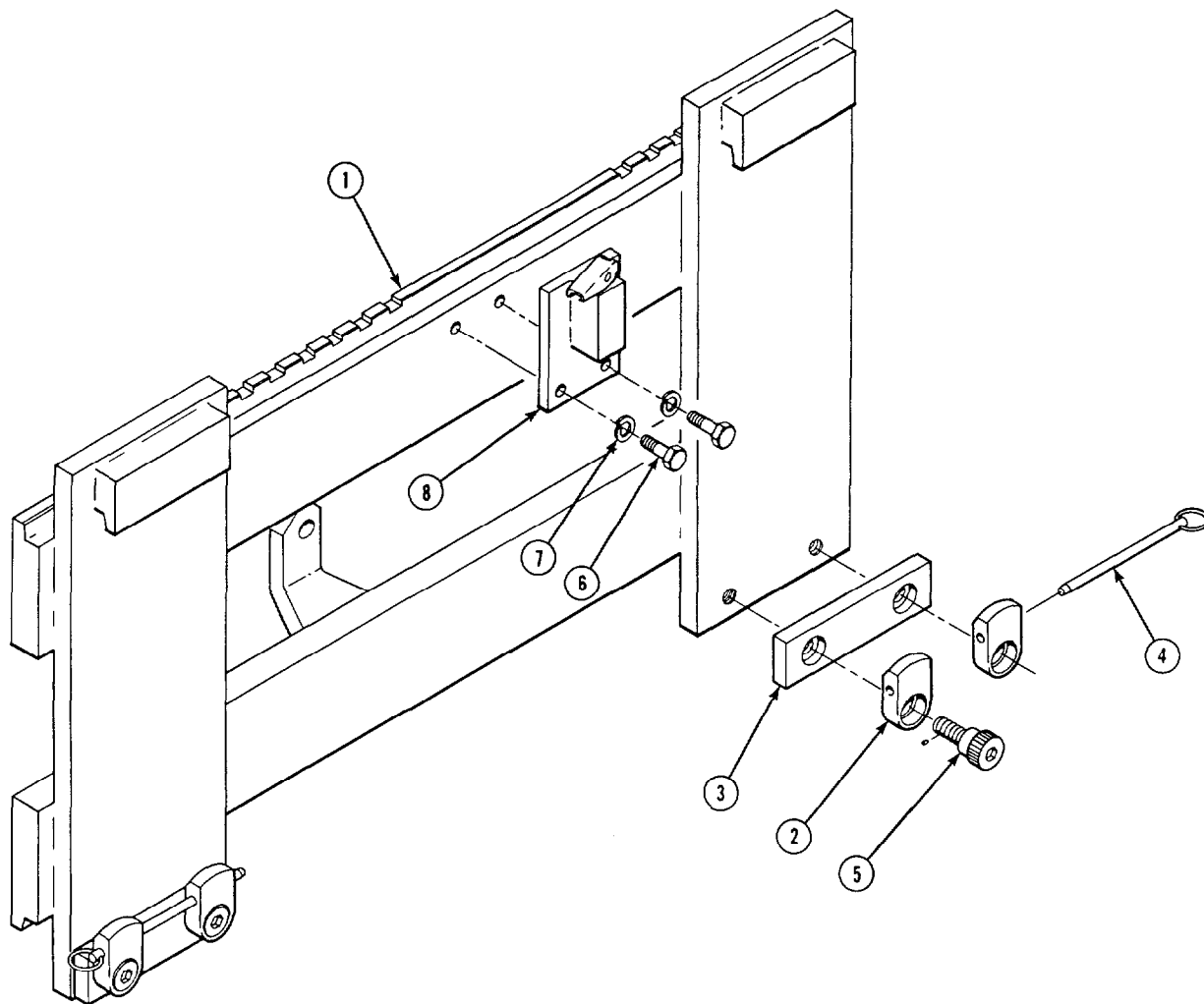
REF. NO.	QTY.	PART NO.	DESCRIPTION
		C-731199	Mounting Group
1	1	C-731200	False Carriage
2	4	C-734769	Latch
3	2	C-730697	Bar Adapter
4	2	C-730775	Pin
5	4	C-730683	Shoulder Screw
6	2	C-3654	Capscrew
7	2	C-6290	Lockwasher
8	1	C-737012	Centering Lug



# Quick-Change Mounting Group

S4L

Class II



**NOTE**

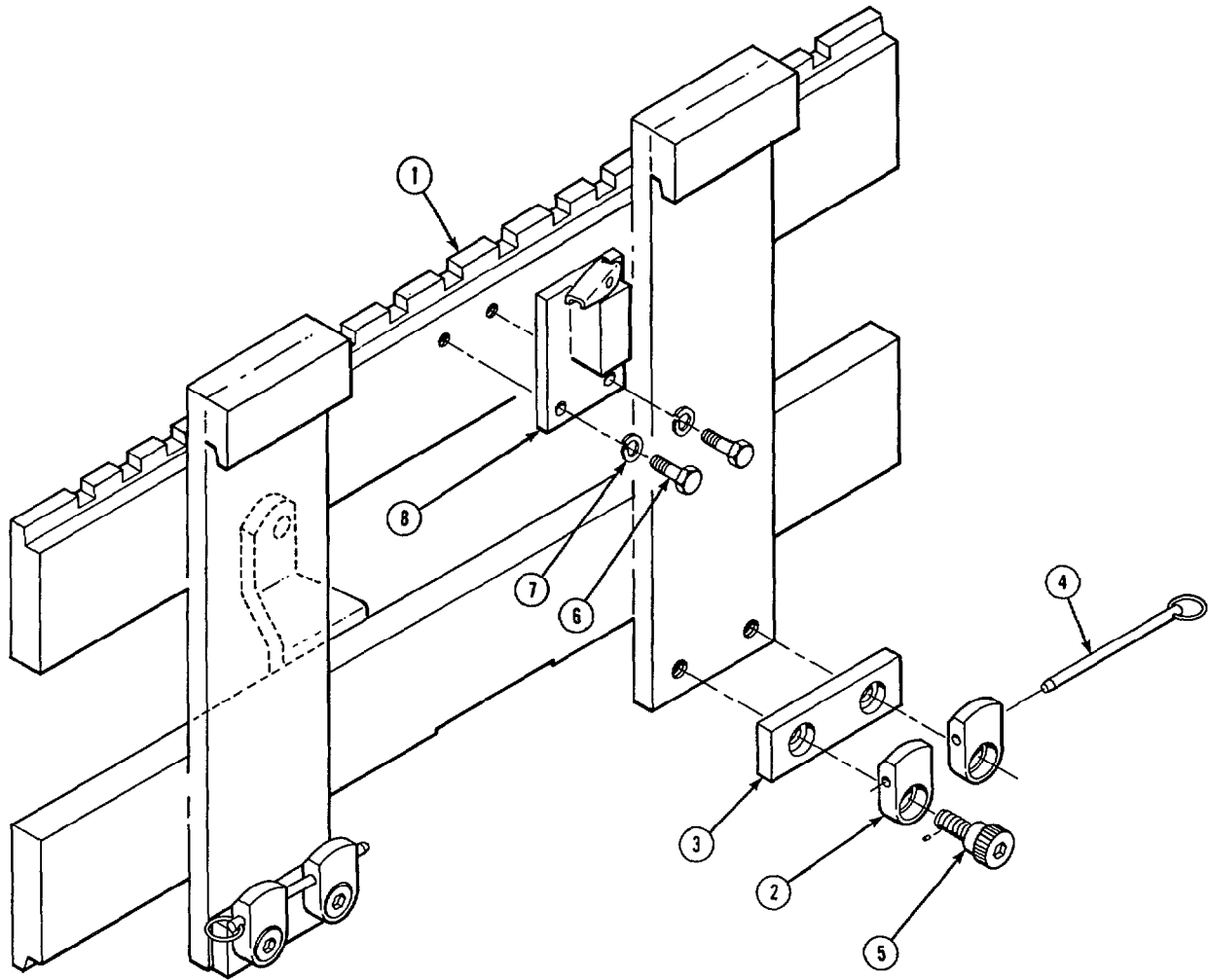
For field conversion, order complete mounting group.

REF. NO.	QTY.	PART NO.	DESCRIPTION
		C-732050	Mounting Group
1	1	C-732332	False Carriage
2	4	C-734769	Latch
3	2	C-730693	Bar Adapter
4	2	C-734770	Pin
5	4	C-730683	Shoulder Screw
6	2	C-3654	Cap screw
7	2	C-6290	Lockwasher
8	1	C-737012	Centering Lug

# Quick-Change Mounting Group

S6L

Class III



## NOTE

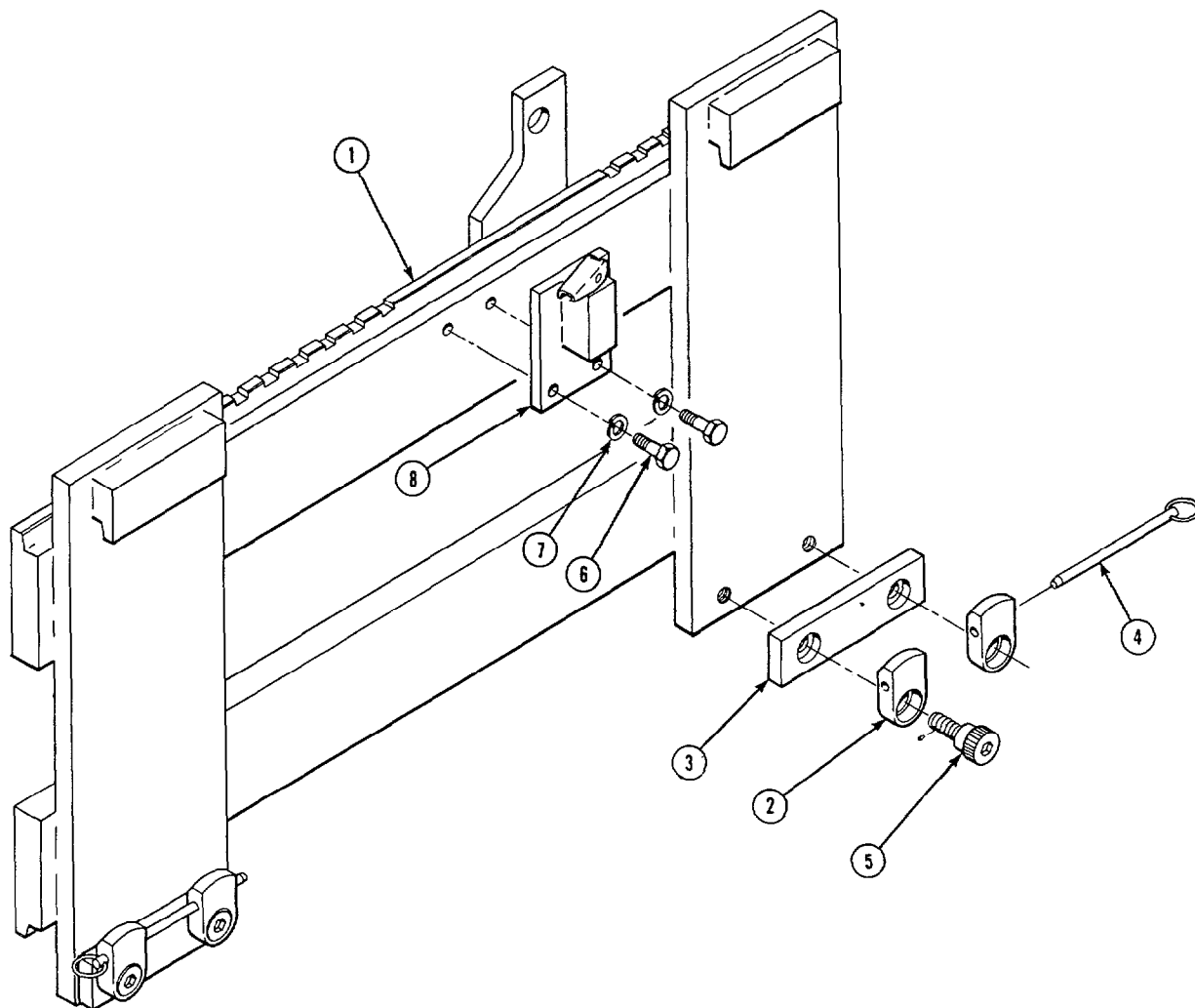
For field conversion, order complete mounting group.

REF. NO.	QTY.	PART NO.	DESCRIPTION
		C-732245	Mounting Group
1	1	C-732246	False Carriage
2	4	C-734774	Latch
3	2	C-730715	Bar Adapter
4	2	C-734775	Pin
5	4	C-730683	Shoulder Screw
6	2	C-3654	Capscrew
7	2	C-6290	Lockwasher
8	1	C-737038	Centering Lug

# Quick-Change Mounting Group

S4S

Class II



**NOTE**

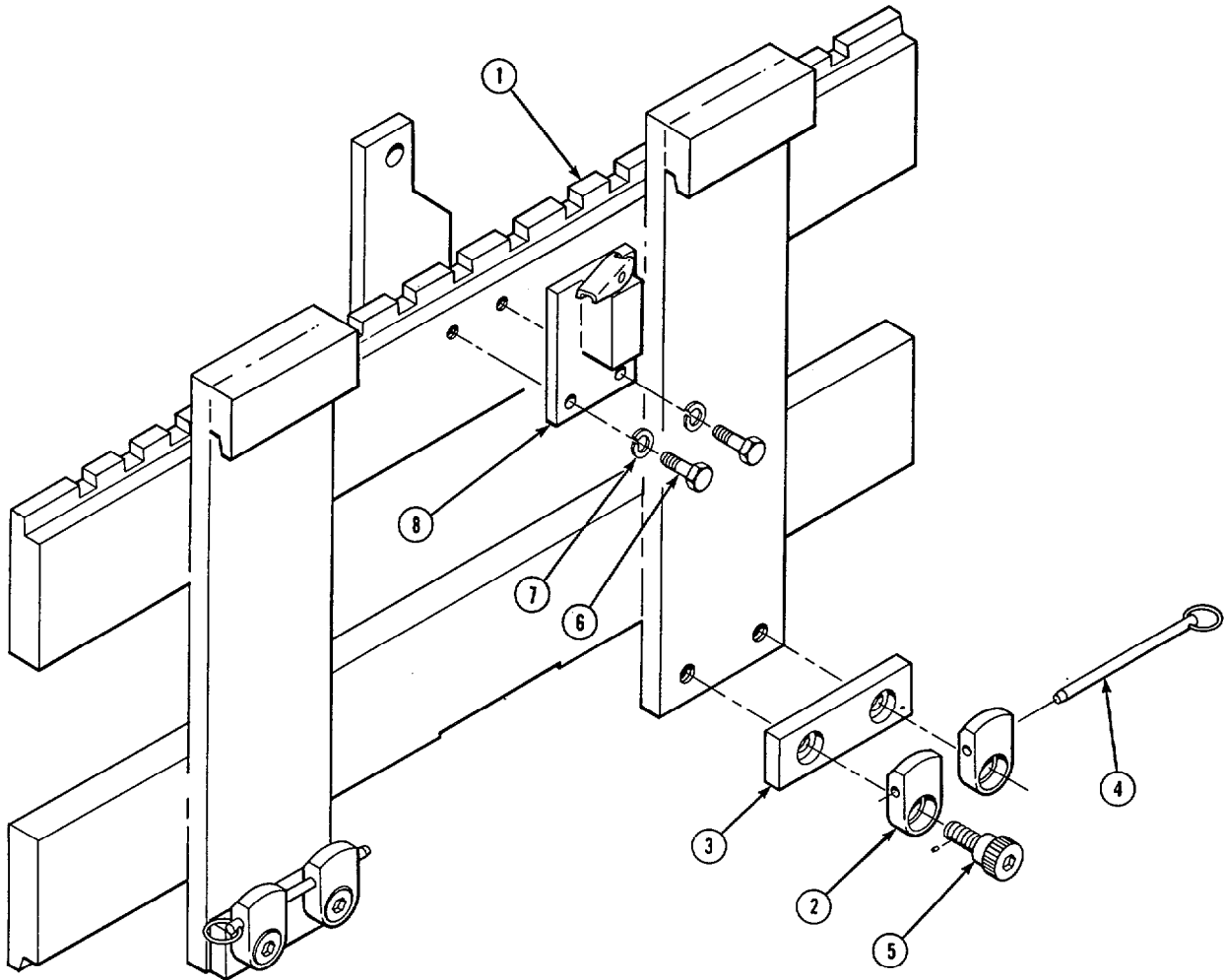
For field conversion, order complete mounting group.

REF. NO.	QTY.	PART NO.	DESCRIPTION
		C-732135	Mounting Group
1	1	C-732136	False Carriage
2	4	C-734769	Latch
3	2	C-730693	Bar Adapter
4	2	C-734770	Pin
5	4	C-730683	Shoulder Screw
6	2	C-3654	Capscrew
7	2	C-6290	Lockwasher
8	1	C-737012	Centering Lug

# Quick-Change Mounting Group

S6S

Class III



**NOTE**

For field conversion, order complete mounting group.

REF. NO.	QTY.	PART NO.	DESCRIPTION
		C-734837	Mounting Group
1	1	C-734838	False Carriage
2	4	C-734774	Latch
3	2	C-730715	Bar Adapter
4	2	C-734775	Pin
5	4	C-730683	Shoulder Screw
6	2	C-3654	Capscrew
7	2	C-6290	Lockwasher
8	1	C-737038	Centering Lug

**Do you have questions you need answered right now?** Call your nearest Cascade Parts Department.

**Cascade Corporation**  
2501 Sheridan Avenue  
P.O. Box 360  
Springfield, Ohio 45505  
Tel.: (513) 322-1199  
Telex: 279563  
FAX: 1-513-325-9270

**Cascade Scandinavia  
Hydraulik A.B.**  
Muskötgatan 17-(E.8-9)  
252 55 Helsingborg  
Sweden  
Tel.: 042-151135  
Telex: 72565 caschbg s

**Cascade Hydraulics Ltd.**  
7615 Kimbel Street  
Mississauga, Ontario  
Canada L5S-1A8  
Tel: 416/677-9695  
Direct Parts Line:  
416/677-9686  
416/677-9684  
Te/Ac: 06-968715

**Cascade Japan Ltd.**  
4-1, 1-Chome,  
Shin Senri Higashimachi  
Toyonaka, Osaka 565  
Japan  
Tel.: 06-835-2900  
Tel/Ac: 781-5287115 Cascade J  
Cable: Cascadecfe, Osaka  
FAX: 011-816-835-2905

**Cascade N.V.  
European Headquarters**  
P.O. Box 50086  
1305 AB Almere-Haven  
Achterwerf 240  
1357 CB Almere-Haven  
The Netherlands  
Tel.: 03240-92911  
Telex: 40838 case nl  
FAX: 011-31-3240-92286

**Cascade France S.A.R.L.**  
11, rue Jean Charcot  
Zone Industrielle Sud  
B.P. 22  
91421 Morangis Cedex  
France  
Tel.: (1)69091139  
Telex: cascade 690016f

**Cascade Materials Handling  
(Aust.) Pty. Ltd.  
(Incorporated in N.S.W.)**  
121 Long Street  
Smithfield, N.S.W. 2164  
Australia  
Tel.: 02-604-6222  
Te/Ac: (790)24302  
Cable: Cascaus  
FAX: 011-61-2-609-2742

**Cascade N.V.  
Benelux Sales and Service**  
P.O. Box 170  
1110 AD Diemen  
Weesperstratt 110  
1112 AP Diemen  
The Netherlands  
Tel.: 020-906411  
Telex: 14495 casc nl

**Cascade Hispania S.A.**  
Avenida De La Fabregada, 7  
Hospitalet De Llobregat  
Barcelona  
Spain  
Tel.: 93-3355158  
Telex: 54018 casc e

**Cascade Materials Handling  
(Aust.) Pty. Ltd.**  
44E Winterton Road  
Clayton, Victoria 3168  
Australia  
Tel.: 03-543-4344  
Cable: Casmel

**Cascade GmbH**  
Klosterhofweg 52  
4050 Mönchengladbach 3  
B.R. Deutschland  
Tel.: 02166-602091  
Telex: 852812 casc d

**Cascade (UK) Ltd.**  
15, Orgreave Crescent  
Dore House Industrial Estate  
Handsworth  
Sheffield S13 9NQ  
England  
Tel.: 0742-697524/5/6/7  
Telex: 547254 cascsh g

**Cascade (Africa) Pty. Ltd.**  
P.O. Box 625  
15 Power Street  
Isando 1600  
South Africa  
Tel.: 011-974-5611/2/3/4/5  
Telex: 4-29718 S.A.

