



Parts Manual

Model _____ Push/Pull _____

Serial Number _____ 45E-PS-861 _____

cascade[®]
corporation

For Technical Assistance call: 800-227-2233, Fax: 888-329-8207

To Order Parts call: 888-227-2233, Fax: 888-329-0234

OR

Write: Cascade Corporation, P.O. Box 20187, Portland, OR 97220

Internet: www.cascorp.com

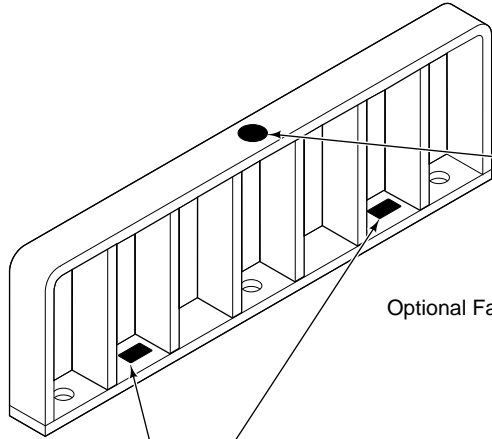
Publications



GA0006.eps

PART NO.	DESCRIPTION
	Parts Manual
686455	Service Manual
684945	Operators Guide
685531	Operators Pocket Guide
684944	Installation Instructions
680664	Servicing Cascade Cylinders-VHS
679929	Tool Catalog
673964	Literature Index Order Form

Decals



Optional Faceplate Extension



Part No. 679150
(1 Place & 1 optional)



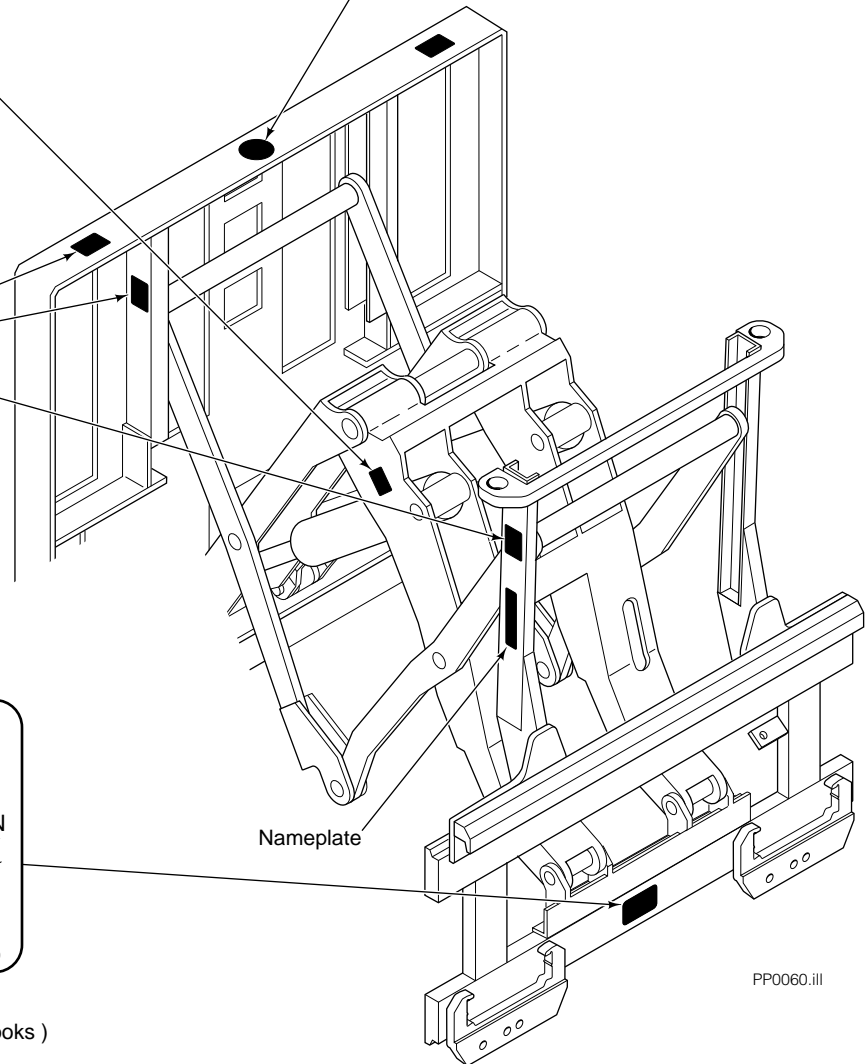
Part No. 665595
(2 Place & 2 optional)



Part No. 656038
(6 Places)

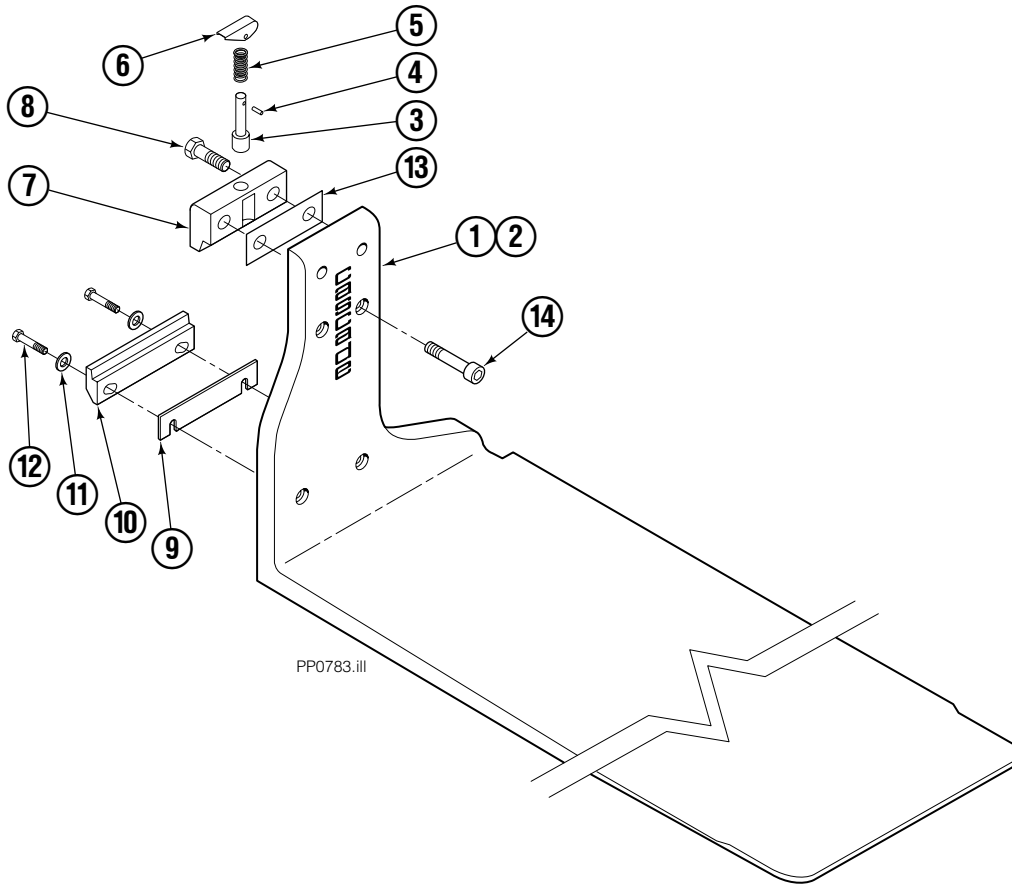


Part No. 679059
(1 Place if equipped with Quick Change Hooks)



PP0060.iii

Platens



Note: Usable platen lengths are determined by measuring from the faceplate (fully retracted position) to the platen tip or total platen length minus 4 1/2".

REF	QTY	PART NO.	DESCRIPTION
		393503	Platen Group
1	1	393507	Platen L. H.
2	1	393508	Platen R. H.
3	2	622907	Pin ■
4	2	8007	Rivet ■
5	2	622908	Spring ■
6	2	622897	Handle ■
7	2	685533	Upper Hook ■
8	4	685677	Capscrew
9	4	682858	Shim
10	2	682851	Lower Hook
11	4	667225	Washer
12	4	779010	Capscrew
13	2	688379	Shim
14	8	769574	Capscrew

■ Items 3 through 7 are included in Upper Hook Assembly 688386.

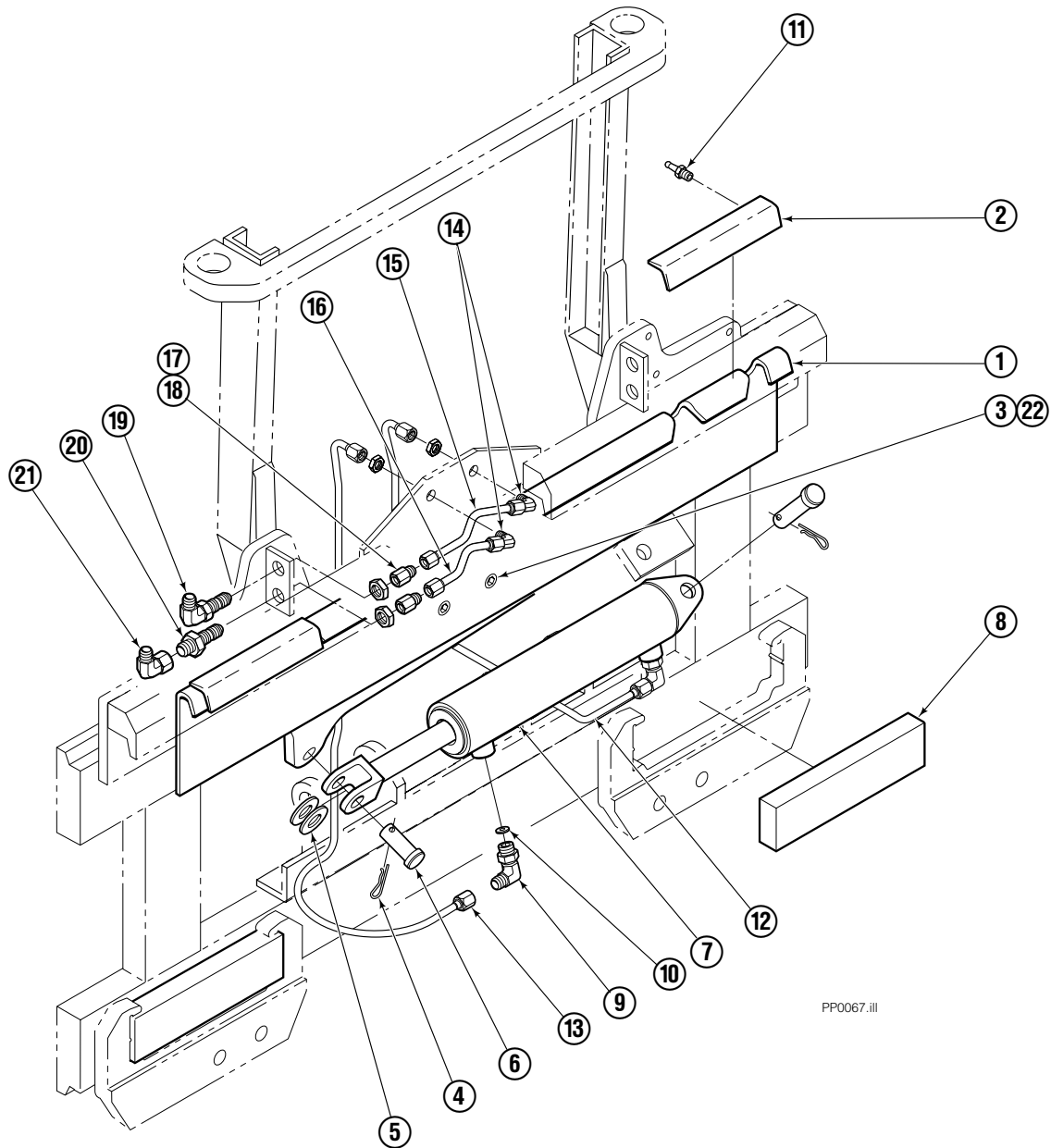
Ref: S-8845.

Frame Group ITA II



35E/45E			
REF	QTY	PART NO.	DESCRIPTION
		390351	Frame Group
1	1	390352	Frame
2	3	2453	Fitting, 6-6
3	1	686509	Tube
4	1	686510	Tube
5	1	2680	Fitting, 6-6
6	1	2375	Fitting, 6-6
7	2	683001	Washer
8	2	683142	Capscrew
9	2	7401	Grease Fitting

S/S Mounting Group ITA II



PP0067.iil

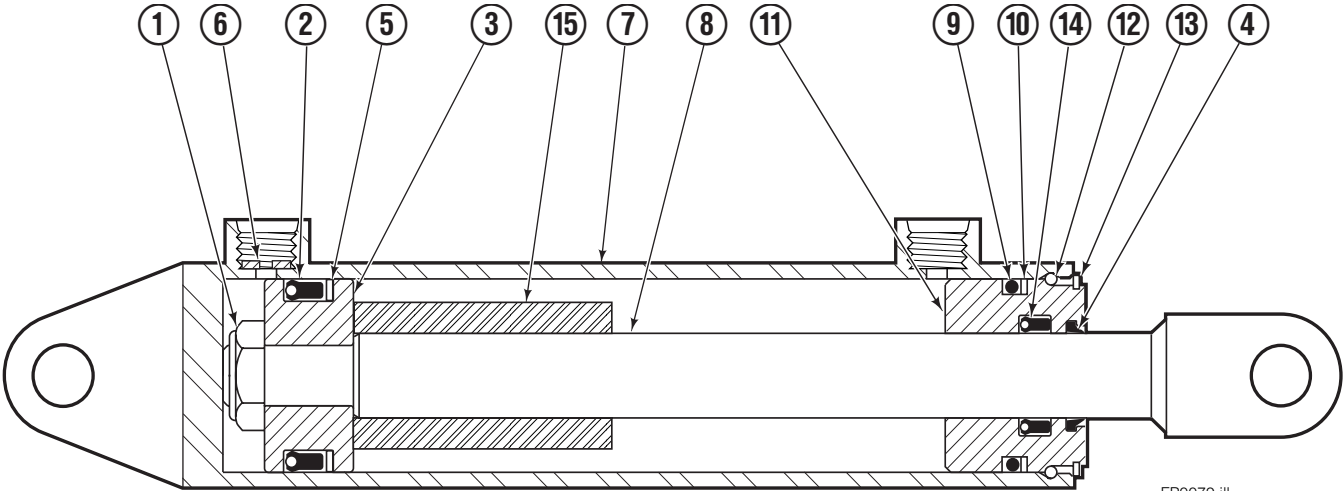
35E/45E

REF	QTY	PART NO.	DESCRIPTION	REF	QTY	PART NO.	DESCRIPTION
		682833	Mounting Group	12	1	686511	Tube
1	1	682554	Anchor Bracket	13	1	686512	Tube
2	2	671165	■ Bearing Segment	14	2	2451	Fitting, 4-4
3	2	768759	Setscrew	15	1	686515	Tube
4	2	6517	Cotter Pin	16	1	686516	Tube
5	2	6234	Washer	17	2	2669	Fitting, 4-6
6	2	678525	Clevis Pin	18	2	2617	Fitting, 6-6
7	1	675548	● Cylinder	19	1	2453	Fitting, 6-6
8	2	682814	Bearing	20	1	2375	Fitting, 6-6
9	2	666984	Fitting, 4-6	21	1	2680	Fitting, 6-6
10	2	675550	Washer	22	2	688387	Jam Nut
11	4	7403	■ Grease Fitting				

■ Included in Bearing Service Kit 671423.

● See Cylinder page for parts breakdown.

Sideshift Cylinder

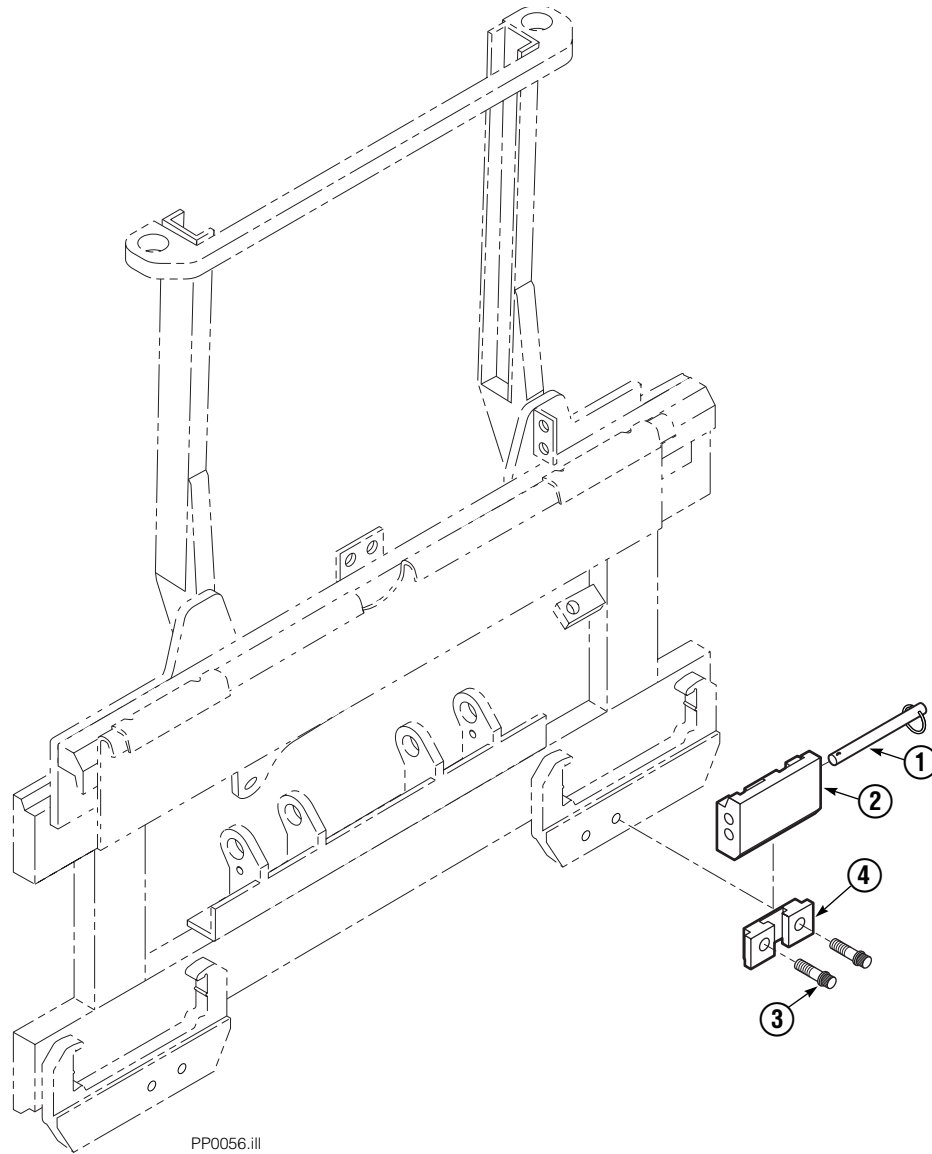


FP0079.iii

REF	QTY	PART NO.	DESCRIPTION
		675548	Cylinder Assembly
1	1	553857	Nut
■ 2	1	662452	Seal
3	1	553501	Piston
■ 4	1	636851	Wiper
■ 5	1	638247	Back-up Ring
6	1	675550	Washer (orifice .085)
7	1	675549	Shell
8	1	553449	Rod
■ 9	1	2785	O-Ring
■ 10	1	615128	Back-up Ring
11	1	553500	Retainer
12	1	553856	Retaining Ring
13	1	7202	Snap Ring
■ 14	1	641835	Seal
15	1	---	Spacer
		553861	Service Kit

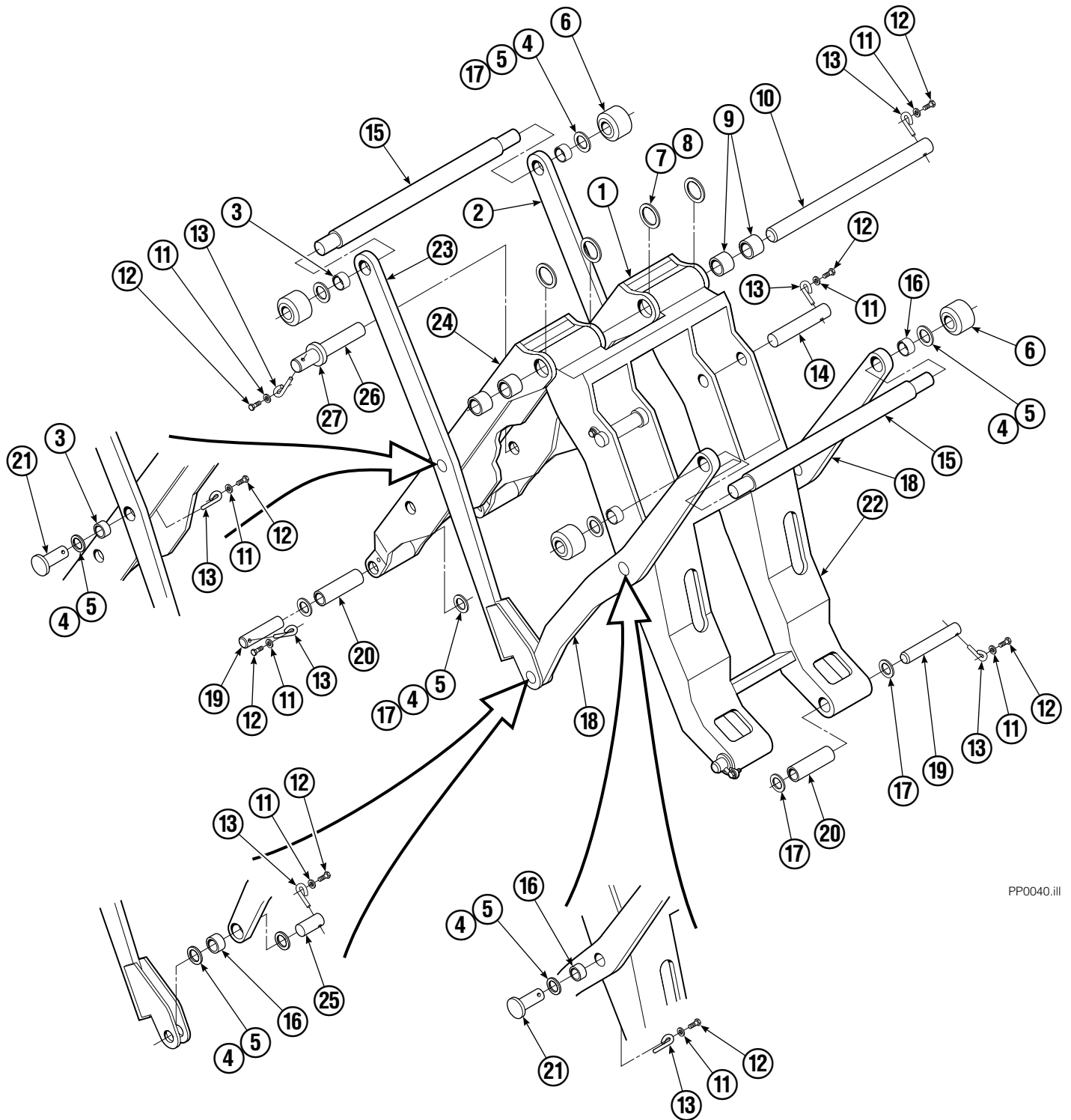
■ Included in Service Kit 553861.

Quick-Change Lower Hook Group ITA II



35E/45E			
REF	QTY	PART NO.	DESCRIPTION
		683179	Lower Hook Group ITA II
1	2	678832	Pin
2	2	675514	Hook
3	4	683182	Capscrew
4	2	675515	Guide

Mechanism Group



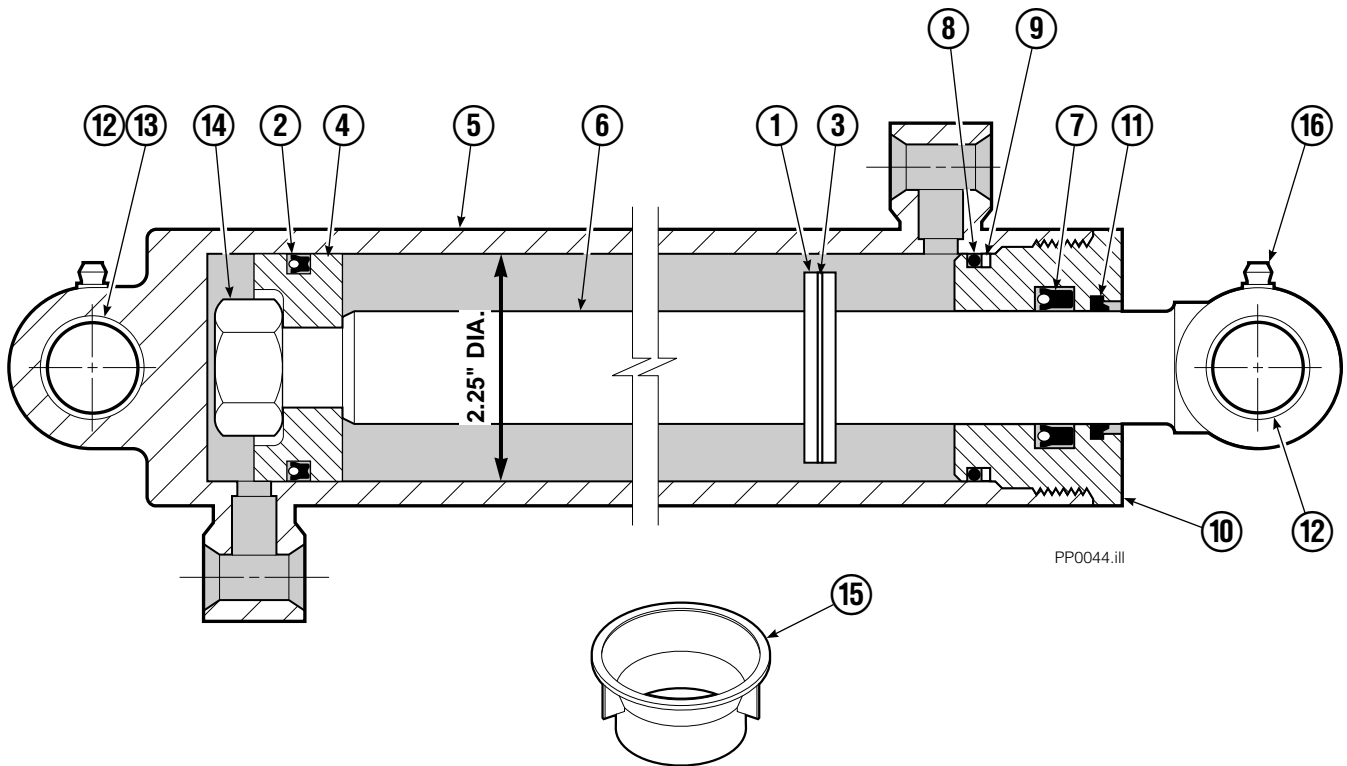
PP0040.ill

Mechanism Group

35E/45E			
REF	QTY	PART NO.	DESCRIPTION
		364009	Mechanism Group
1	1	364240	Arm-Inner Secondary R. H.
2	1	204692	Arm-Secondary Outer R. H.
3	4	683154	■ Bushing
4	●	683161	Shim (.030)
5	●	683162	Shim (.060)
6	4	205070	Roller
7	●	683163	Shim (.030)
8	●	683164	Shim (.060)
9	4	683155	■ Bushing
10	1	682821	Pin
11	15	6229	Washer
12	15	685661	Capscrew
13	15	682999	Eye-Pin
14	2	682822	Pin-Head
15	2	205065	Pin
16	6	683153	■ Bushing
17	●	204532	Shim (.12)
18	2	204694	Arm-Outer Primary
19	4	204533	Pin-Frame
20	4	204535	■ Bushing
21	4	204695	Pin
22	1	364238	Arm-Inner Primary
23	1	204693	Arm-Secondary Outer L. H.
24	1	364239	Arm-Inner Secondary L. H.
25	2	204696	Pin-Outer
26	2	682823	Pin-Rod
27	2	683165	Spacer
28	6	7401	Grease Fitting

- Quantity as required.
- Included in Bushing Service Kit 205075.

Cylinder



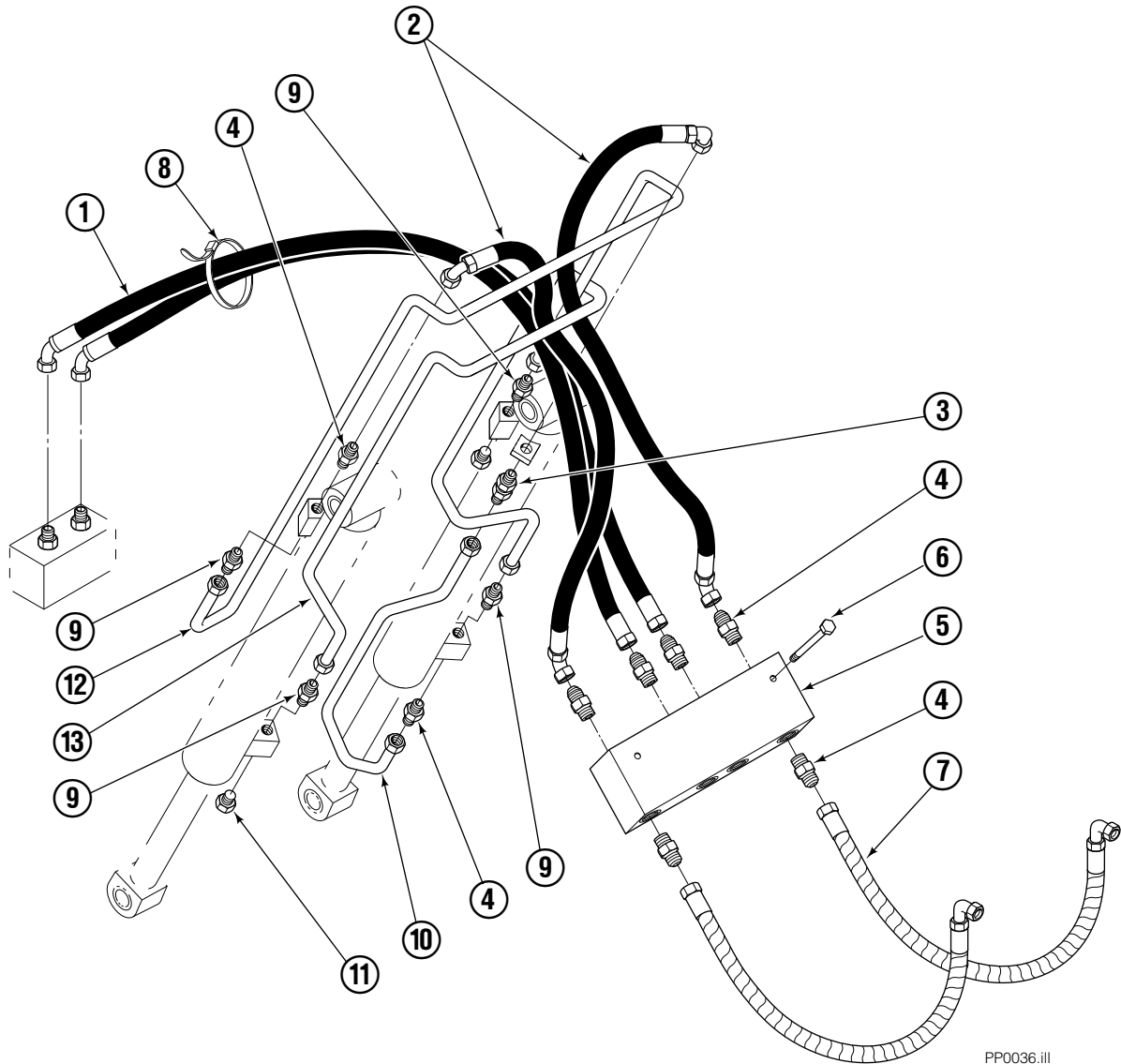
35E/45E

REF	QTY	PART NO.	DESCRIPTION
		358091	Cylinder Assembly
1	1	353370	Spacer
2	1	562553	Seal ■
3	1	7348	Snap Ring
4	1	562333	Piston
5	1	364727	Shell
6	1	364715	Rod
7	1	559705	Seal ■
8	1	2787	O-Ring ■
9	1	615130	Back-Up Ring ■
10	1	558628	Retainer
11	1	636853	Wiper ■
12	4	559697	Bearing
13	1	559698	Spacer
14	1	678019	Nut
15	1	671048	Seal Loader Kit ■
16	2	7401	Grease Fitting

■ Included in Service Kit 562339.

Ref: S-8434

Hydraulic Group



PP0036.iii

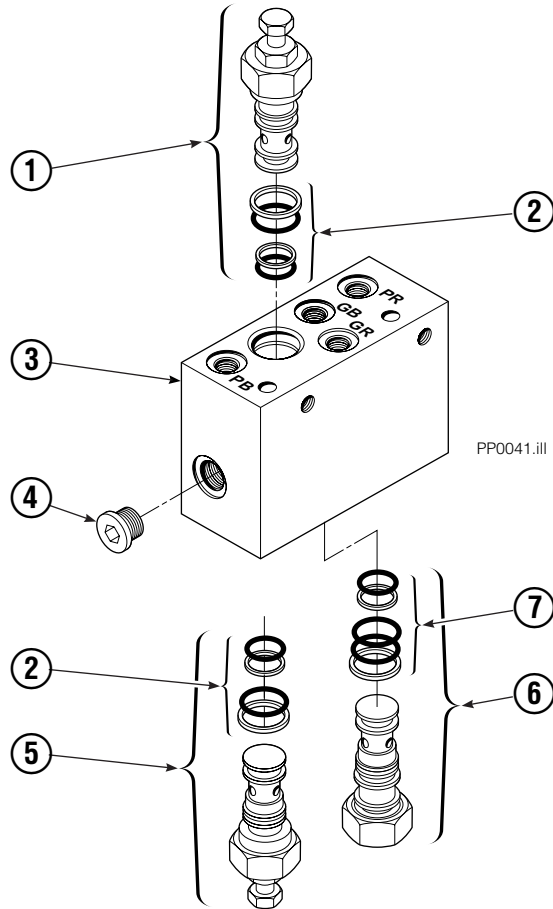
35E/45E

REF	QTY	PART NO.	DESCRIPTION
		685828	Hydraulic Group ITA II
1	1	685831	Hose
2	2	683173	Hose
3	1	2375	Fitting, 6-6
4	8	604511	Fitting, 6-6
5	1	682812	■ Valve
6	2	765329	Capscrew, M8x1.25x20-8.8
7	2	685978	Hose ITA II
8	2	684956	Cable tie
9	4	605235	Fitting 5-6
10	1	200647	Tube
11	2	604510	Plug, 6
12	1	200649	Tube
13	1	200648	Tube

■ See Valve page for parts breakdown.

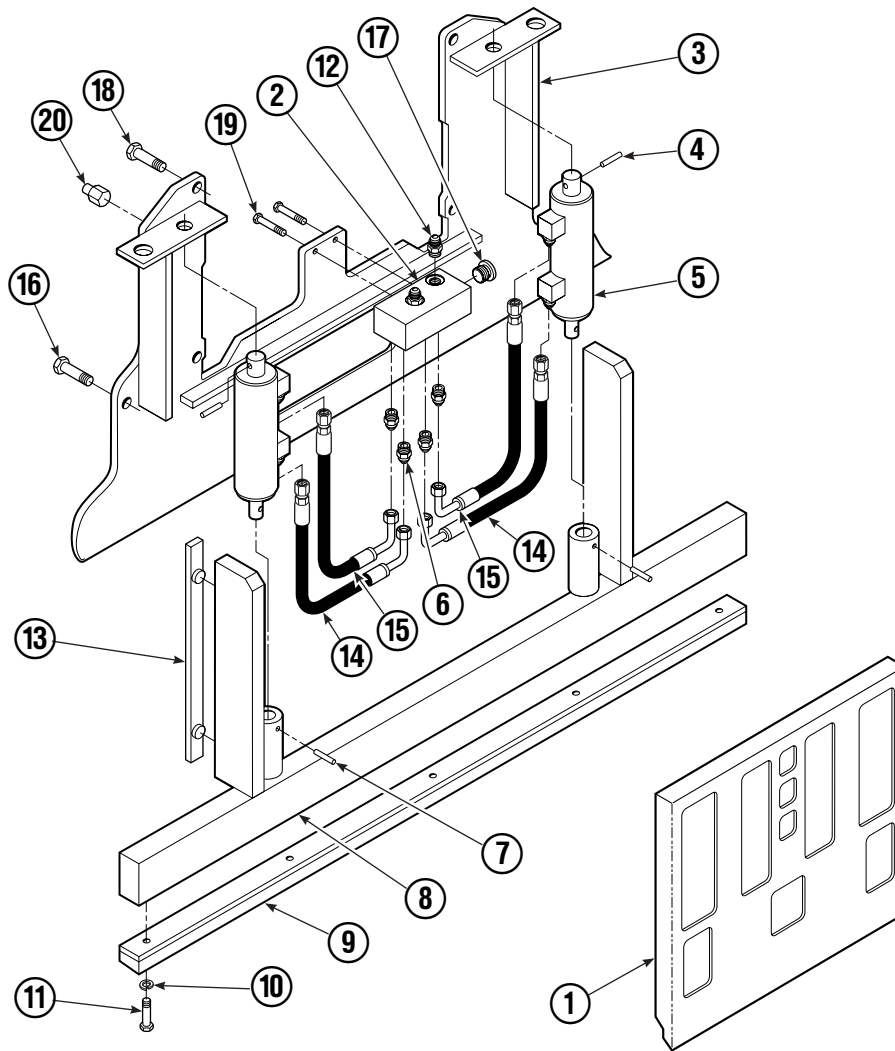
Valve

Load Push/Pull



35E/45E			
REF	QTY	PART NO.	DESCRIPTION
		682812	Valve Assembly
1	1	677125	Sequence Valve (Retract)
2	2	669597	Service Kit
3	1	682813	Body
4	5	663694	Fitting, 3
5	1	677124	Sequence Valve (Extend)
6	1	659058	Gripper Check Valve
7	1	667516	Service Kit

Faceplate Group



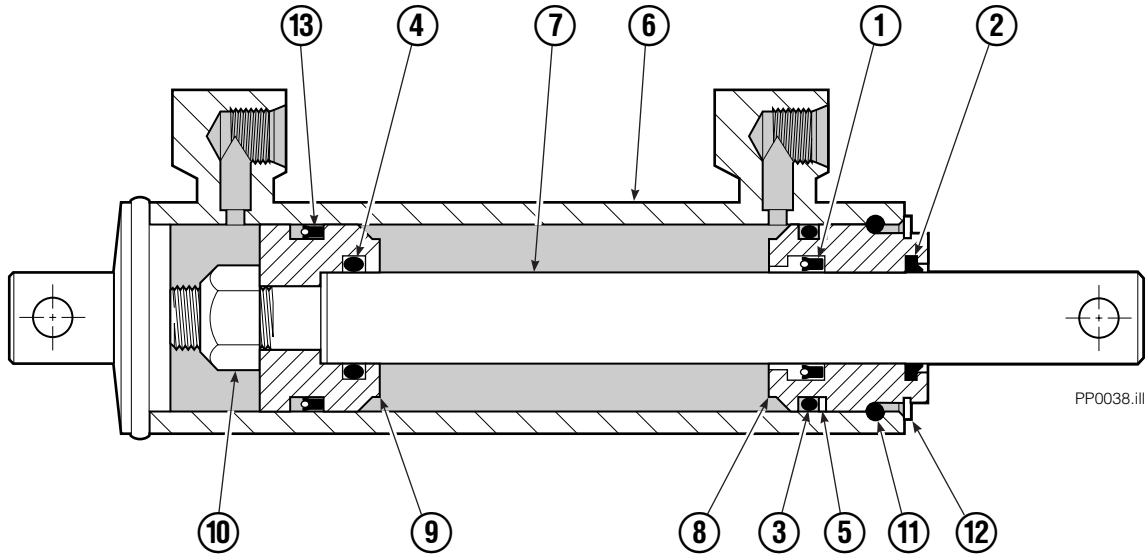
PP0226.iii

35E/45E

REF	QTY	PART NO.	DESCRIPTION	REF	QTY	PART NO.	DESCRIPTION
		205966	Faceplate Group 40" x 40" ■	10	5	6444	Lockwasher
		205961	Gripper Jaw Assembly ●	11	5	768794	Capscrew, M8x1,25x20-8.8
1	1	204634	Faceplate 40" x 40" ■	12	2	604511	Fitting, 6-6
2	1	205959	Junction Block	13	2	686573	Bearing
3	1	206396	Gripper Jaw	14	2	205957	Hose
4	2	673385	Drive Pin	15	2	205958	Hose
5	2	682844	Gripper Cylinder ▼	16	2	768710	Capscrew
6	8	617915	Fitting, 4-4	17	2	609234	Plug, 4
7	2	200877	Drive Pin	18	4	779010	Capscrew
8	1	206403	Gripper Bar	19	2	763166	Capscrew, M8x1,25x25-8.8
9	1	672712	Gripper Pad	20	4	682850	Stop

- Width x height.
- Includes items 2 through 20.
- ▼ See Gripper Cylinder page for parts breakdown.

Gripper Cylinder



PP0038.III

35E/45E			
REF	QTY	PART NO.	DESCRIPTION
		682844	Gripper Cylinder
▼ 1	1	646540	Seal
▼ 2	1	636850	Wiper
▼ 3	1	2718	O-Ring
▼ 4	1	2710	O-Ring
▼ 5	1	615122	Back-Up Ring
6	1	685662	Shell
7	1	685663	Rod
8	1	685664	Retainer
9	1	685665	Piston
10	1	563462	Nut
11	1	563916	Ring
12	1	684284	Snap Ring
▼ 13	1	663728	Piston Seal

▼ Included in Service Kit 684827.

Do you have questions you need answered right now? Call your nearest Cascade Parts Department.

Cascade Corporation

2501 Sheridan Avenue
Springfield, OH 45505
Tel: 888-CASCADE (227-2233)
FAX: 888-329-0234
www.cascorp.com

Cascade Canada Inc.

5570 Timberlea Blvd.
Mississauga, Ontario
Canada L4W-4M6
Tel: 905-629-7777
FAX: 905-629-7785

Cascade GmbH

D-41199 Monchengladbach
Klosterhofweg 52
Germany
Tel: 49-216-668230
FAX: 49-216-6682323

Cascade Finland

Albert Petreliuksenkatu 3
01370 Vantaa
Finland
Tel: 358-9-836-1925
FAX: 358-9-836-1935

**Cascade N.V.
European Headquarters**

P.O. Box 3009
1300 El Almere
Damsluisweg 56
1332 ED Almere
The Netherlands
Tel: 31-36-5492911
FAX: 31-36-5492964

**Cascade N.V.
Benelux Sales and Service**

P.O. Box 3009
1300 El Almere
Damsluisweg 56
1332 ED Almere
The Netherlands
Tel: 31-36-5492950
FAX: 31-36-5492974

Cascade (UK) Ltd.

15, Orgreave Crescent
Dore House Industrial Estate
Handsworth
Sheffield S13 9NQ
England
Tel: 742-697524
FAX: 742-695121

Cascade Scandinavia AB

Box 124
Hammarvägen 10
567 23 Vaggeryd
Sweden
Tel: 42-0-393-36950
FAX: 46-0-393-36959

Cascade Norway

Østerliveien 37A
1153 Oslo
Norway
Tel: 47-22-743160
FAX: 47-22-743157

Cascade France S.A.R.L.

1D Rue De Charaintru
BP 18, 91360 Epinay-Sur-Orge
Morangis Cedex, France
Tel: 33-1- 64547500
FAX: 33-1-64547501

Cascade Hispania S.A.

Carrer 5 Sector C
Zona Franca Duanera
Poligono de la Zon Franca
08040 Barcelona, Spain
Office No. 256
Tel: 93-264-07-30
FAX: 93-264-07-31

Cascade Japan Ltd.

5-5-41,
Torikai Kami
Settsu, Osaka
Japan, 566
Tel: 81-726-53-3490
FAX: 81-726-53-3497

Cascade Korea

108B, Namdong Ind Complex
658-3 Gojan-Dong
Namdong-Gu
Inchon, 405-310 Korea
Tel: 82-32-821-2051
FAX: 82-32-821-2055

Cascade Australia

1445 Ipswich Road
Rocklea, QLD 4106
Australia
Tel: 1-800227-223
FAX: (07) 3373-7333

Cascade New Zealand

15 Ra Ora Drive
East Tamaki, Auckland
New Zealand
Tel: 9-273-9136
FAX: 9-273-9137

Cascade (Africa) Pty. Ltd.

P.O. Box 625, Isando 1600
60A Steel Road
Sparton, Kempton Park
South Africa
Tel: 27-11-975-9240
FAX: 27-11-394-1147

Cascade-Xiamen

No. 668 Yangguant Rd.
Xinyang Industry Zone
Haicant, Xiamen City
Fujian Province
P.R. China 361026
Tel: 86-592-651-2500
FAX: 86-592-651-2571

**Cascade (Singapore)
Trading Co.**

Four Seasons Park
Autumn Block - Apt. 1802
12 Cuscaden Walk
Singapore
Tel: 65-834-1935
FAX: 65-834-1936

