



# Technical Bulletin

**NON-CURRENT  
Reference Only  
Refer to TB 314**

## Lumber Fork Wear Measure

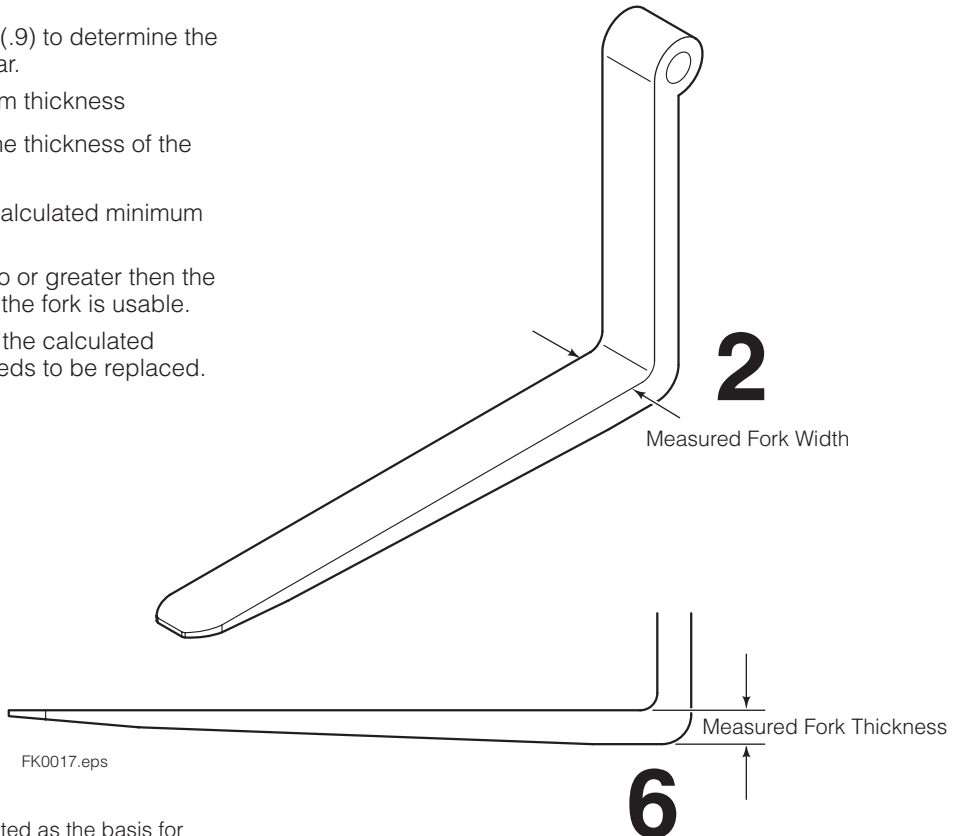
This sheet describes how to calculate the minimum blade thickness due to wear on shaft style lumber forks. Refer to the chart on the following page to determine the minimum blade thickness.

- 1** Verify that "Cascade" or "Kenhar" is stamped on the forks. If not, the chart provided does not apply.
- 2** Measure fork width.  
Example: 7 in.
- 3** Locate the capacity stamp on the fork.  
Example: 4350 x 24
- 4** Refer to the chart on the following page to match the capacity and width. Note the original thickness.  
Example: 1.5 in.
- 5** Multiply the original thickness by 90% (.9) to determine the minimum thickness allowed due to wear.  
Example: 1.5 in. x .9 = 1.35 in. minimum thickness
- 6** Use **only** digital calipers to measure the thickness of the fork.
- 7** Compare the measure width with the calculated minimum thickness.
  - If the measured thickness is equal to or greater then the calculated minimum thickness then the fork is usable.
  - If the measured thickness less then the calculated minimum thickness then the fork needs to be replaced.

# 4

Example from chart (following page):

SHAFT FORK CAPACITY (PER PAIR)		
Thickness & Width (Inches)	Lbs. @ 24 in. Load Center (per pair)	Stamped Capacity (each)
1.5 x 5	6100	3050 x 24
1.5 x 6	7200	3600 x 24
1.5 x 7	8700	4350 x 24
1.562 x 7	8700	4350 x 24
1.5 x 8	9700	4850 x 24



**NOTE:** This information should not be interpreted as the basis for warranty claims unless so designated.

# cascade<sup>®</sup> corporation

**For Technical Support . . .**

Call: 1-800-CASCADE (227-2233)

**OR**

Write: Cascade Corporation, PO Box 20187, Portland, OR 97294-0187

**To Order Parts . . .**

Call: 1-888-CASCADE (227-2233)

**OR**

Write: Cascade Corporation, 2501 Sheridan Ave., Springfield, OH 45505

<b>SHAFT FORK CAPACITY (PER PAIR)</b>					
<b>Thickness x Width</b>	<b>lbs. @ 24 in. Load Center (per pair)</b>	<b>Stamped Capacity (each fork)</b>	<b>Thickness x Width</b>	<b>kgs. @ 600 mm Load Center (per pair)</b>	<b>Stamped Capacity (each fork)</b>
<b>Inches</b>			<b>Millimeters</b>		
1.250 x 4	3700	1850 x 24	35 x 100	1700	850 x 600
1.250 x 5	2800	1900 x 24	35 x 125	1720	860 x 600
1.250 x 6	4600	2300 x 24	35 x 150	2090	1045 x 600
1.500 x 6	7200	3600 x 24	40 x 150	3300	1650 x 600
1.500 x 7	8700	4350 x 24	40 x 180	4000	2000 x 600
1.562 x 7	8700	4350 x 24	40 x 180	4000	2000 x 600
1.500 x 8	9700	4850 x 24	40 x 200	4300	2150 x 600
1.562 x 8	9500	4850 x 24	40 x 200	4300	2150 x 600
1.562 x 10	12200	5950 x 24	40 x 250	5600	2800 x 600
1.562 x 12	14600	7150 x 24	40 x 300	6600	3300 x 600
1.562 x 15	17800	8900 x 24	40 x 380	8350	4175 x 600
1.562 x 18	21400	10700 x 24	40 x 455	10200	5100 x 600
1.625 x 7	9000	4500 x 24	42 x 180	4408	2204 x 600
1.625 x 8	10300	5150 x 24	42 x 200	4890	2445 x 600
1.625 x 10	12900	6450 x 24	42 x 250	6120	3060 x 600
1.625 x 12	15400	7700 x 24	42 x 300	7346	3673 x 600
1.625 x 15	19300	9650 x 24	42 x 380	9700	4650 x 600
1.625 x 18	32100	11550 x 24	42 x 455	11260	5630 x 600
1.750 x 6	9000	4500 x 24	45 x 150	4210	2105 x 600
1.750 x 7	10800	5400 x 24	45 x 180	5060	2530 x 600
1.750 x 8	12000	6000 x 24	45 x 200	4600	2800 x 600
1.750 x 10	15400	7450 x 24	45 x 250	7020	3510 x 600
1.750 x 12	17900	8950 x 24	45 x 300	8430	4215 x 600
1.750 x 15	22400	11200 x 24	45 x 380	10680	5340 x 600
1.750 x 18	26800	13400 x 24	45 x 455	128920	6460 x 600
2.000 x 7	13700	6850 x 24	50 x 180	6240	3120 x 600
2.000 x 8	15500	7750 x 24	50 x 200	6940	3470 x 600
2.000 x 10	18900	9450 x 24	50 x 250	8670	4335 x 600
2.000 x 12	22600	11300 x 24	50 x 300	10400	5200 x 600
2.000 x 15	28600	14300 x 24	50 x 380	13180	6590 x 600
2.000 x 18	34300	17150 x 24	50 x 455	15960	7980 x 600
2.250 x 7	19500	9750 x 24	60 x 180	8116	4058 x 600
2.250 x 8	21700	10850 x 24	60 x 200	9020	4510 x 600
2.500 x 10	30400	15200 x 24	65 x 250	14660	7330 x 600
2.500 x 12	36500	18250 x 24	65 x 300	17590	8795 x 600
2.750 x 8	29500	14750 x 24	70 x 200	13600	6800 x 600
2.750 x 10	36900	18450 x 24	70 x 250	17000	8500 x 600
2.750 x 12	44300	22150 x 24	40 x 300	20400	10200 x 600