

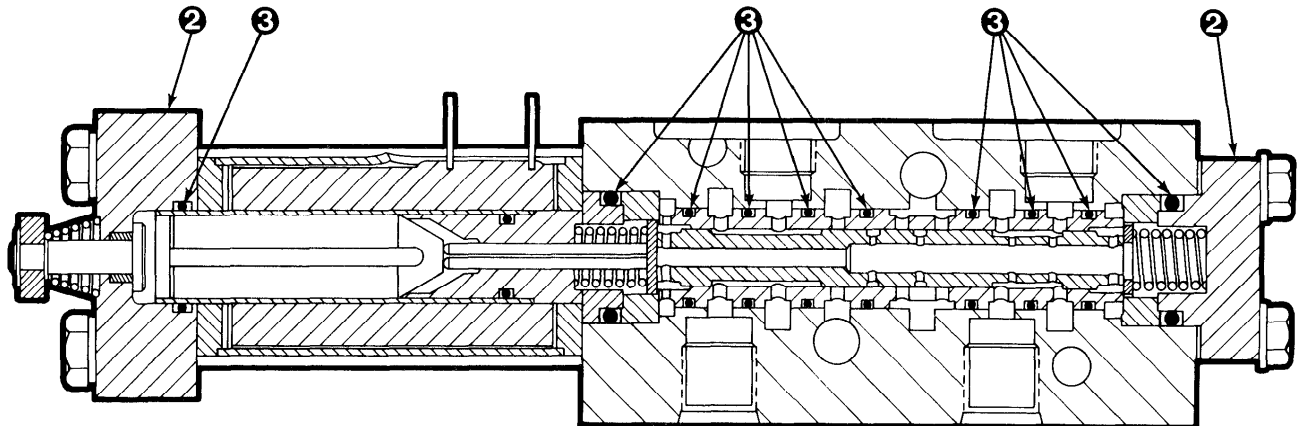


Technical Bulletin

Waterman Solenoid Valve Seal Service Kit 685072

Service Kit 685072 includes all seals needed to service a Waterman Solenoid Valve used on Cascade Attachments with Solenoid Adaption.

- 1 Remove and tag all hoses, fittings and electrical components connected to the solenoid valve.
IMPORTANT: Service the valve in a clean work area.
- 2 Remove the coil end cover and valve body end cover capscrews.
- 3 Disassemble the valve to access the internal O-rings. Remove the O-rings shown below.
- 4 Clean all parts with solvent and blow dry. Do not use paper or cloth towels.
- 5 Install new O-rings to the valve components and reassemble.



NOTE: This information should not be interpreted as the basis for warranty claims unless so designated.
Part No. 685015

Cascade[®]

For Technical Assistance . . .

Call: 1-800-CASCADE or 503-669-6300

OR

Write: Cascade Corporation, P.O. Box 20187, Portland, OR 97220

To Order Parts . . .

Call: 513-322-1193

OR

Write: Cascade Corporation, P.O. Box 600, Springfield, OH 45501