



Parts Manual

Model Single-Double Pallet Handler

Serial Number 55E-FDS-965

cascade[®]
corporation

For Technical Assistance call: 800-227-2233, Fax: 888-329-8207

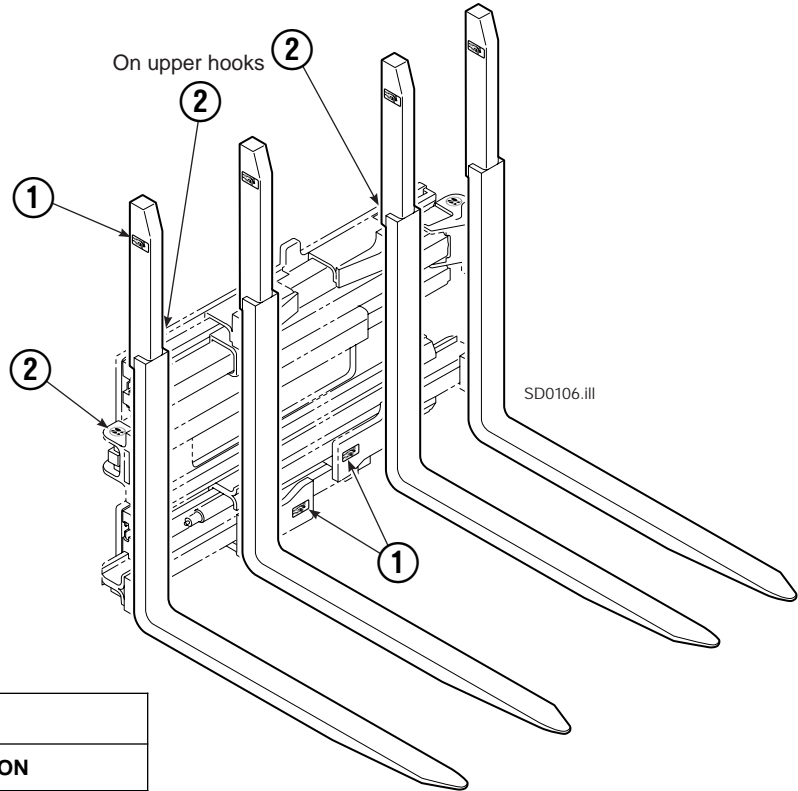
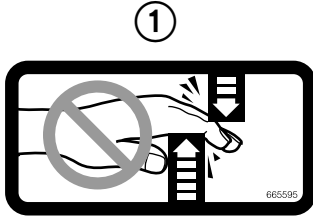
To Order Parts call: 888-227-2233, Fax: 888-329-0234

OR

Write: Cascade Corporation, P.O. Box 20187, Portland, OR 97220

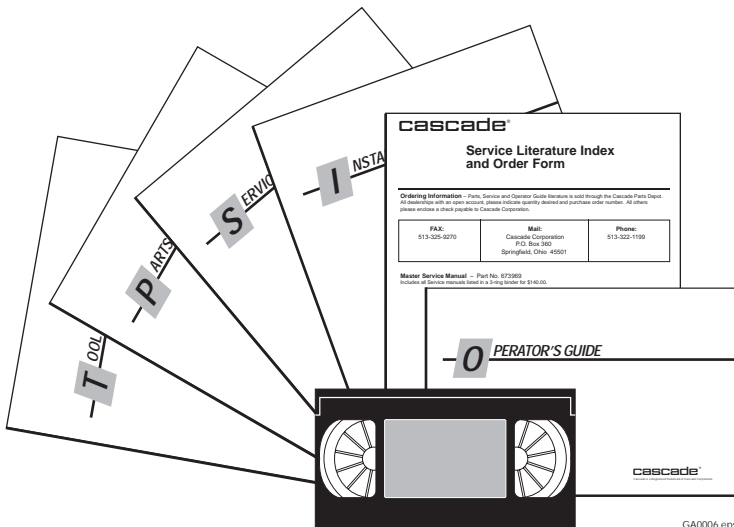
Internet: www.cascorp.com

Decals



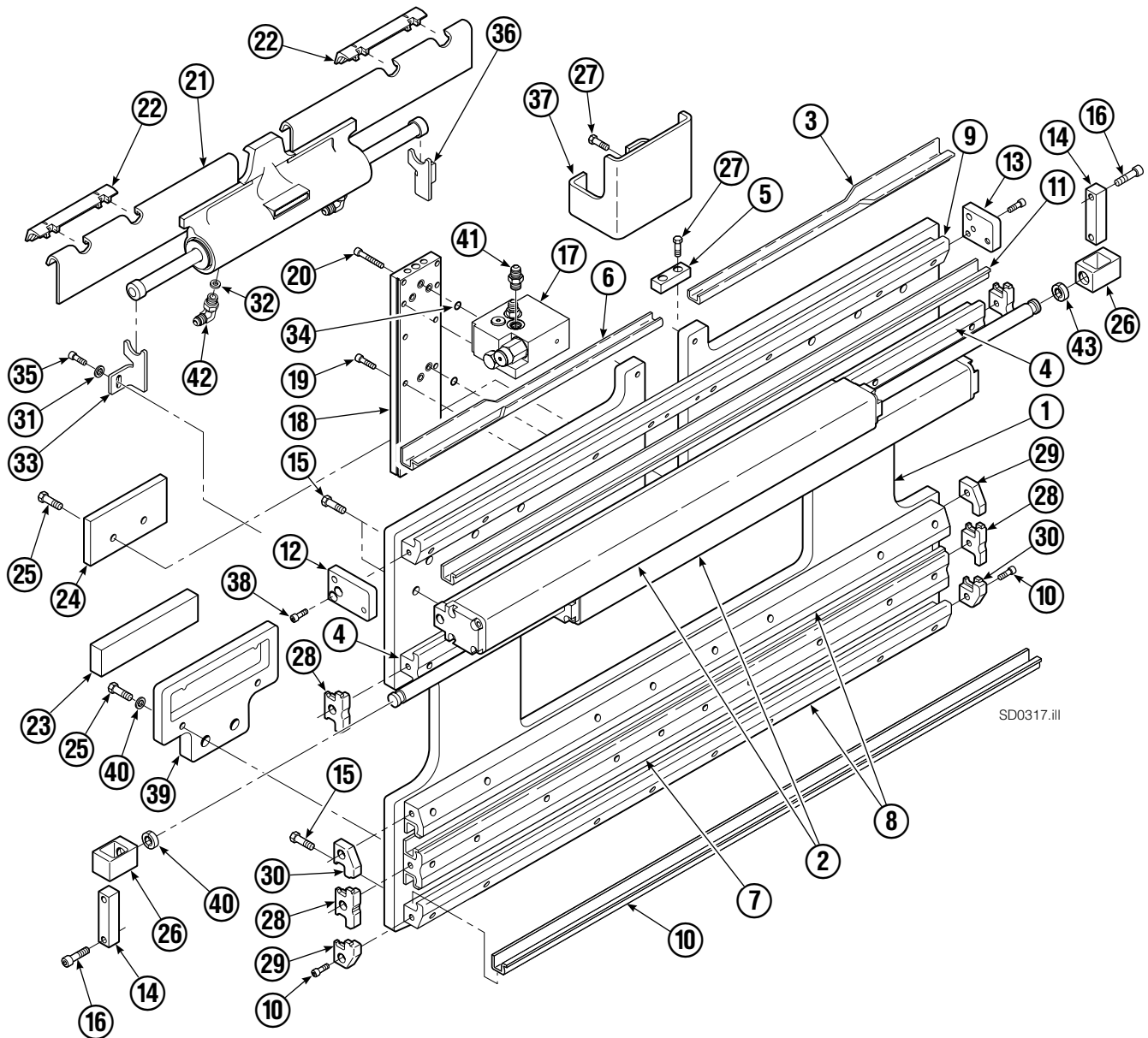
55E			
REF	QTY	PART NO.	DESCRIPTION
1	6	665595	No Hand Hold Decal
2	4	679150	No Step Decal

Publications



55E	
PART NO.	DESCRIPTION
214269	Parts Manual
213580	Operator's Guide
213372	Installation Instructions
679929	Tool Catalog
673964	Literature Index Order Form

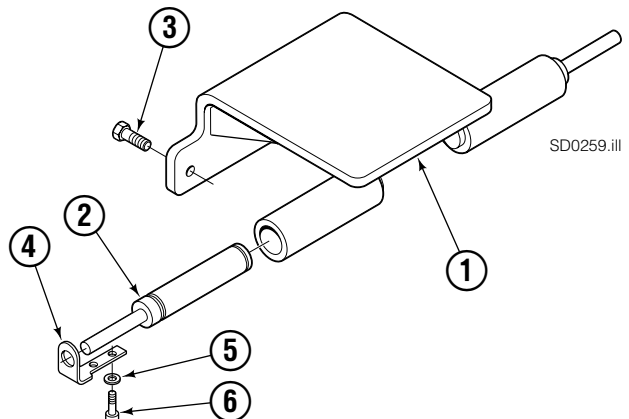
Base Unit Group – ITA Class III



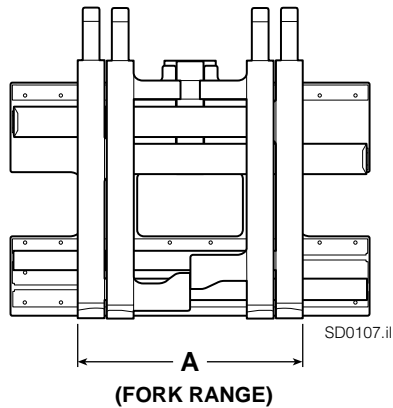
Inner Fork Control Group

55E			
REF	QTY	PART NO.	DESCRIPTION
		225394	Inner Fork Control Group ▼
1	1	225396	Bracket
2	2	225395	Gas Cylinder
3	3	623821	Capscrew, M12 x 20
4	2	230791	Retainer
5	4	202346	Washer, M6
6	4	768785	Capscrew, M6 x 10

▼ Included in Base Unit Group 6104020.



Base Unit Group – ITA Class III



NOTE: Position the outer forks to minimum width and measure **A** to determine minimum outer fork outside to outside (OTO) range.

55E			
REF	QTY	PART NO.	DESCRIPTION
		6104020	Base Unit Group – Class III ▲
1	1	6002749	Baseplate
2	2	214622	Frame Cylinder ★
3	1	4786-0468	Bearing Segment – LH
4	2	214629	T-Bar – Upper
5	1	212723	Fork Stop
6	1	4787-0468	Bearing Segment – RH
7	1	214631	T-Bar – Lower
8	2	214633	T-Bar – Lower
9	1	220143	T-Bar – Upper
10	4	4730-1040	Bearing Segment
11	4	4730-1050	Bearing Segment

▲ Includes Inner Fork Control Group 225394.

Common Parts

REF	QTY	PART NO.	DESCRIPTION	REF	QTY	PART NO.	DESCRIPTION
		6105188	Common Parts Group	28	4	210140	Bearing Retainer
12	1	220009	Retainer/Stop – RH	29	2	212585	Bearing Retainer
13	1	6101490	Retainer/Stop – LH	30	2	212586	Bearing Retainer
14	2	210489	Rod End Anchor ■	31	2	787398	Washer
15	15	211689	Capscrew, M12 x 30	32	1	564226	Restrictor Washer
16	4	768303	Capscrew, M10 x 35 ■	33	1	213737	Bracket – RH
17	1	216838	Valve Assembly ▲	34	7	214053	O-Ring
18	1	211456	Manifold	35	14	787375	Capscrew, M8 x 20 GR 8.8
19	10	768208	Capscrew, M8 x 25	36	1	213736	Bracket – LH
20	2	768810	Capscrew, M8 x 30	37	1	6007050	Valve Guard
21	1	6105189	Sideshift Cylinder ●	38	37	214487	Capscrew, M12 x 40
22	2	672018	Upper Bearing	39	2	215226	Hanger
23	2	208350	Lower Bearing	40	4	787383	Lockwasher, M10
24	2	212709	Spacer Block	41	2	604511	Fitting, 6-6 ◆
25	8	767615	Capscrew, M10 x 25	42	2	601676	Fitting, 6-6 ◆
26	2	209741	Rod End ■	43	4	210490	Retainer Half Ring ■
27	2	684649	Capscrew, M10 x 25				

★ See Frame Cylinder page for parts breakdown.

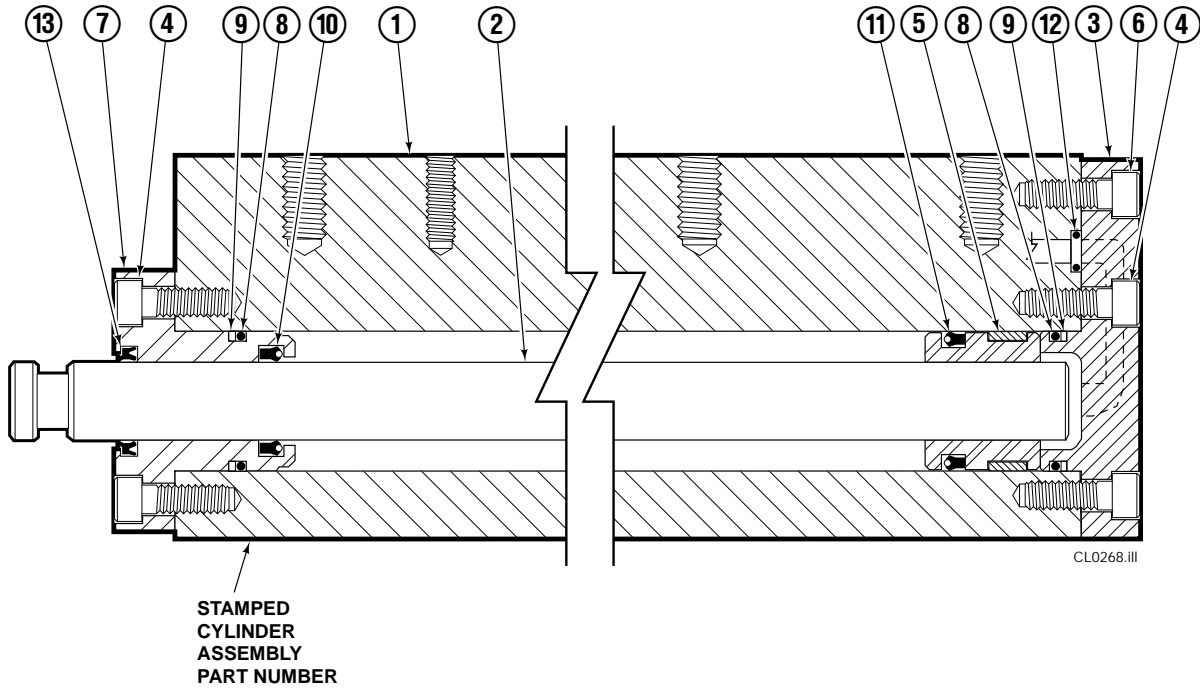
● See Sideshift Cylinder page for parts breakdown.

▲ See Valve Assembly page for parts breakdown.

◆ Included in Fitting Group 213099.

■ Included in Cylinder Rod Anchor Kit 213856.

Frame Cylinder

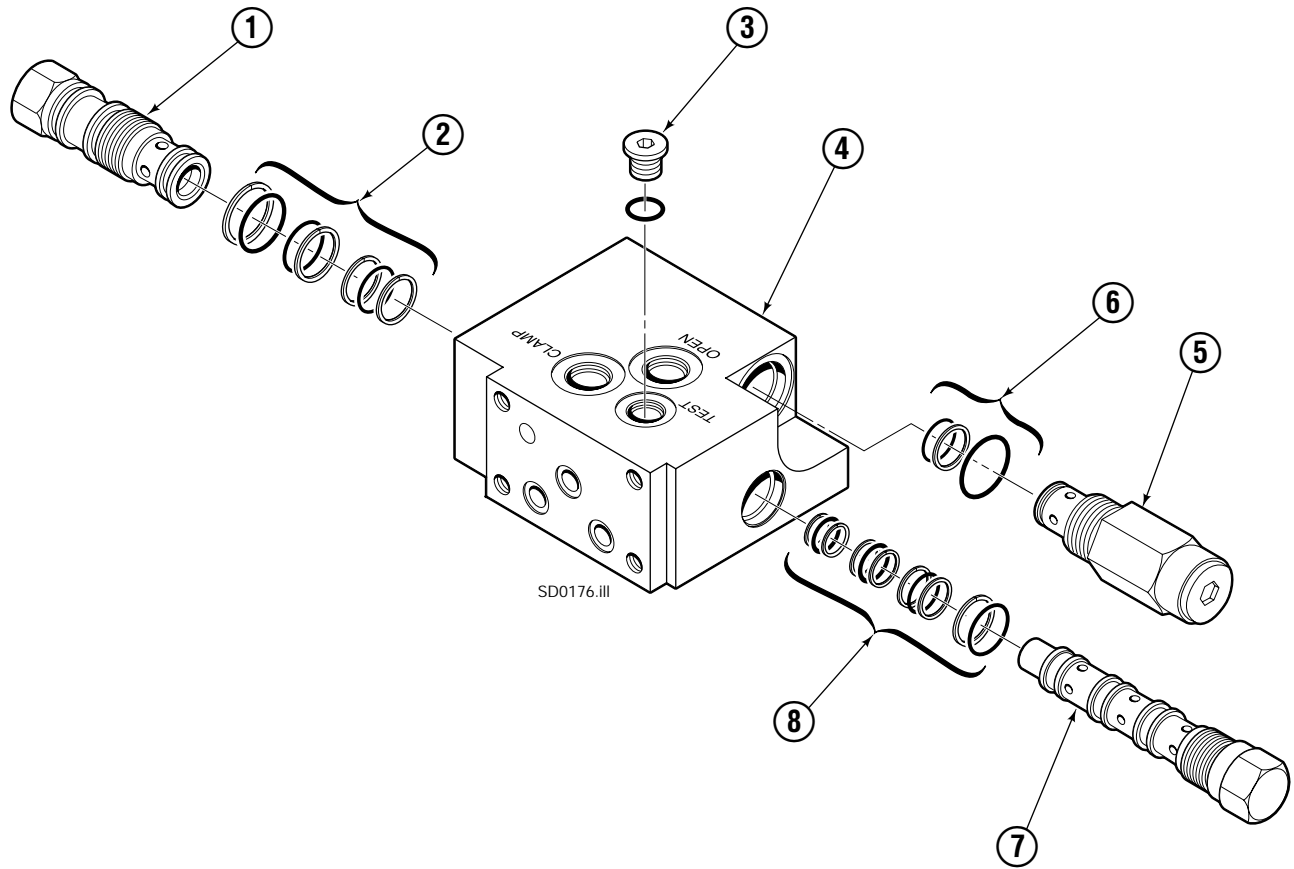


55E			
REF	QTY	PART NO.	DESCRIPTION
		214622	Cylinder Assembly
1	1	214623	Cylinder/Shell
2	1	4157-825	Rod
3	1	213783	End Cap
4	8	768208	Capscrew, M8 x 25
5	1	209809	Bearing ▲
6	1	787375	Capscrew, M8 x 20
7	1	212452	Retainer
8	3	643379	O-Ring ▲
9	2	210050	Back-Up Ring ▲
10	1	212477	Seal ▲
11	1	209808	Seal ▲
12	2	214053	O-Ring ▲
13	1	562131	Wiper ▲
		210090	Service Kit

▲ Included in Service Kit 210090.

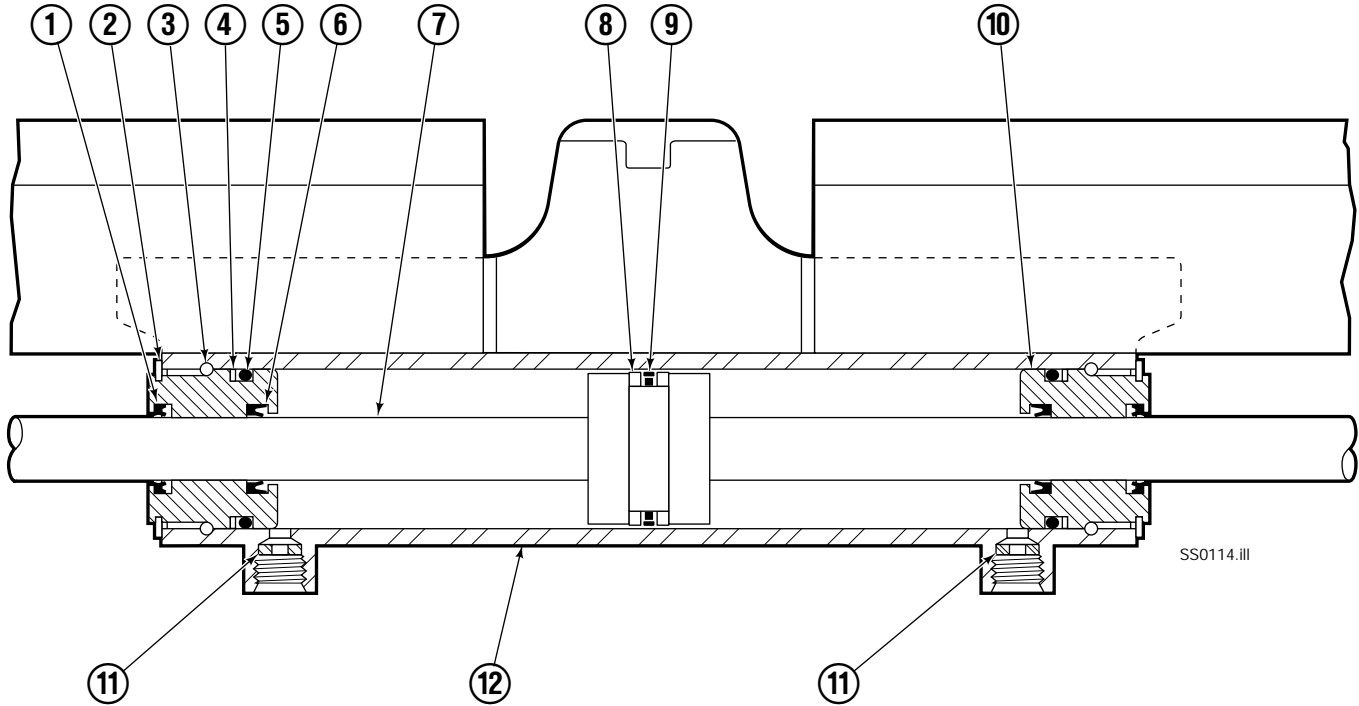
Reference: S-4643, S-4644.

Valve ITA Class III



55E			
REF	QTY	PART NO.	DESCRIPTION
		216838	Valve Assembly
1	1	219039	Check Valve
2	1	---	Service Kit
3	1	609234	Plug
4	1	216839	Valve Body
5	1	213535	Crossover Relief Valve
6	1	682170	Service Kit
7	1	219040	Flow Divider/Combiner
8	1	---	Service Kit

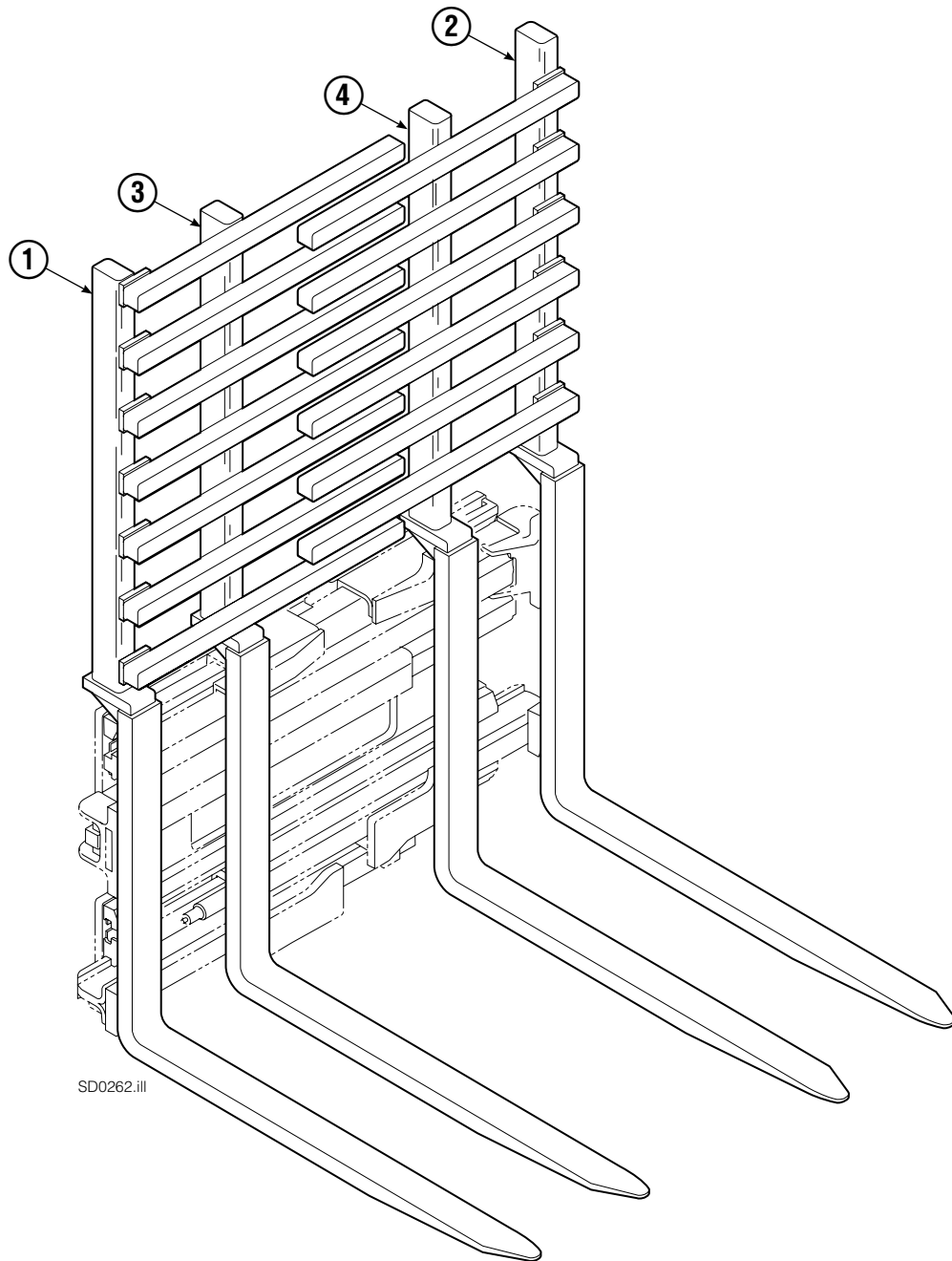
Sideshift Cylinder ITA Class II



55E			
REF	QTY	PART NO.	DESCRIPTION
		6105189	Cylinder Assembly
1	2	562131	● Wiper Seal
2	2	562951	Snap Ring
3	2	562942	Retaining Ring
4	2	563388	● Back-Up Ring
5	2	562127	● O-Ring
6	2	562132	● Rod Seal
7	1	562055	Rod
8	2	563278	● Bearing Ring
9	1	564141	● Piston Seal
10	2	562792	Retainer
11	2	564226	Speed Control Washer ▲
12	-	■	Cylinder Shell
		563487	Service Kit

- Included in Service Kit 563487.
- Not serviceable, order new cylinder assembly.
- ▲ Reference: S-6105, Restrictor Group 205369.

Interlocking Backrest/Fork Group

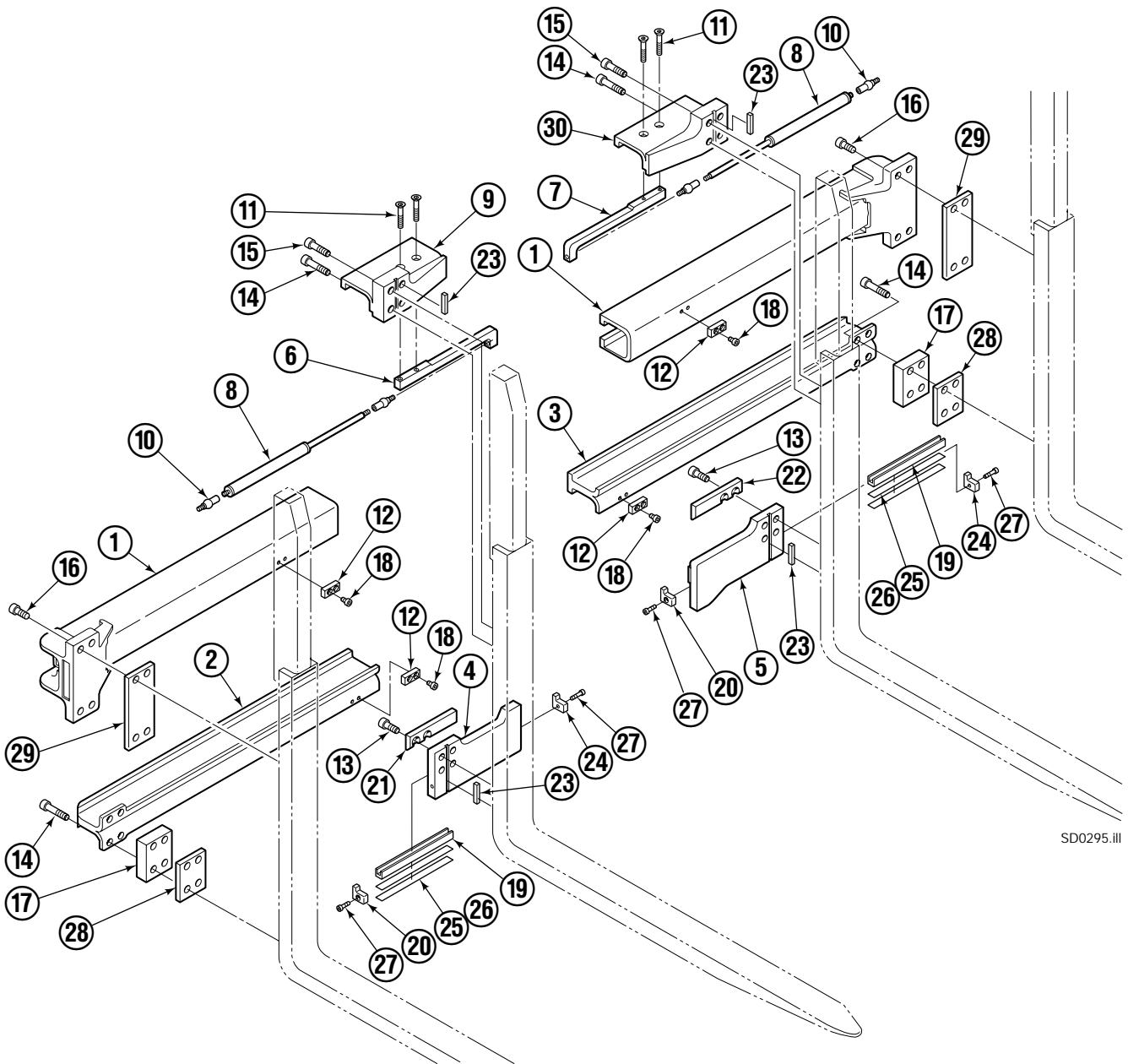


SD0262.iii

REF	QTY	PART NO.	DESCRIPTION
		6010823	Fork Group
1	1	6010825	Outer Fork - RH
2	1	6010824	Outer Fork - LH
3	1	6010827	Inner Fork - RH
4	1	6010826	Inner Fork - LH

Reference: S-4555, S-4560, S-4559, S-4554, S-4563, S-4558.

Arm Group



SD0295.III

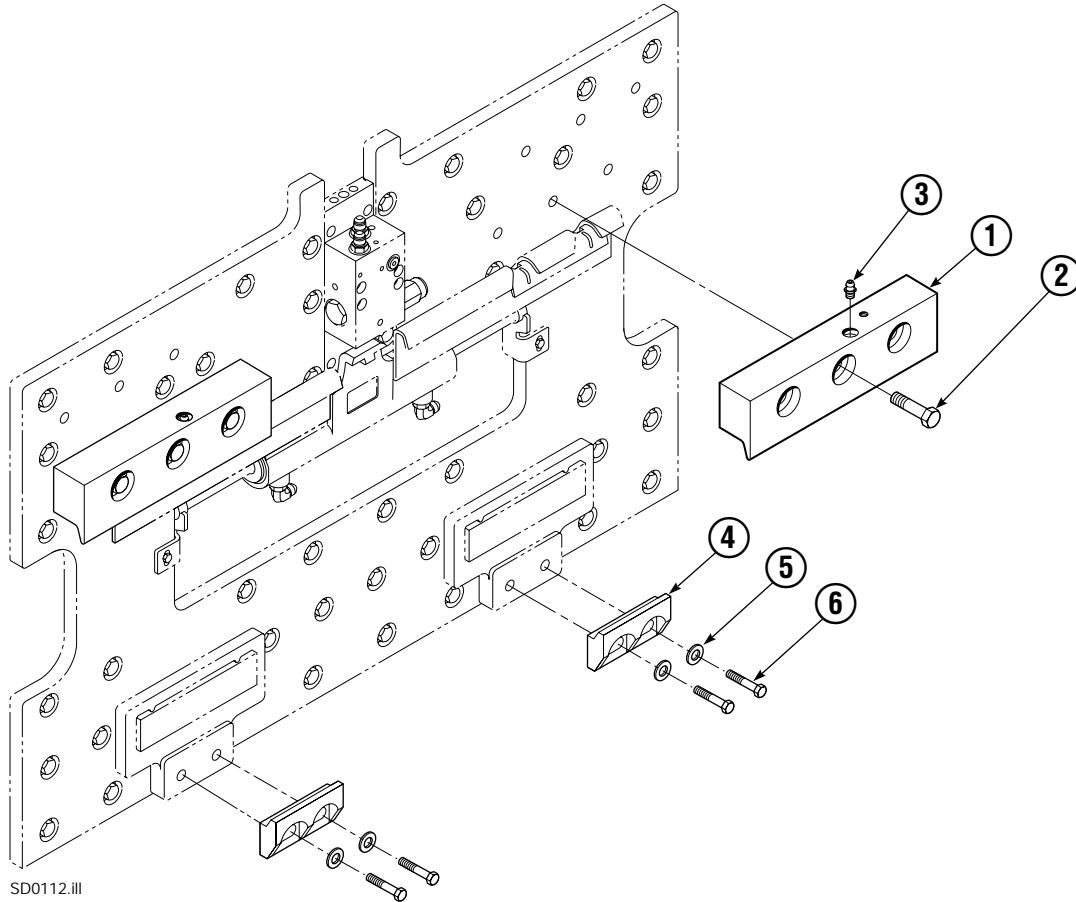
Arm Group

55E			
REF	QTY	PART NO.	DESCRIPTION
		6104472	Arm Group
1	2	220176	Upper Arm Bar
2	1	220216	Lower Arm Bar – RH
3	1	220206	Lower Arm Bar – LH
4	1	220136	Lower Hook – RH
5	1	220139	Lower Hook – LH
6	1	28088-0354	Bracket – RH
7	1	28087-0354	Bracket – LH
8	2	6104267	Gas Spring

REF	QTY	PART NO.	DESCRIPTION	REF	QTY	PART NO.	DESCRIPTION
9	1	220095	Upper Hook – RH	20	2	225345	Bearing Retainer
10	4	213011	Ball Joint	21	1	213899	Bearing – RH
11	4	766646	Capscrew, M10 x 20	22	1	213899	Bearing – LH
12	4	212687	Fork Stop	23	4	213364	Key
13	8	769574	Capscrew, M16 x 35	24	2	225345	Bearing Retainer
14	12	769578	Capscrew, M16 x 60	25	6	212559	Shim, .04 in. (1 mm)
15	4	769577	Capscrew, M16 x 50	26	–	—	Shim, .02 in. (.5 mm)
16	8	769574	Capscrew, M16 x 35	27	4	787375	Capscrew, M8 x 20
17	2	210587	Spacer	28	–	—	Spacer
18	8	214414	Capscrew, M10 x 12	29	4	797610	Spacer
19	2	4501-0222	Bearing Segment	30	1	6101471	Upper Hook – LH

Reference: SK-6373, SK-6374, Common Parts Group 6105251.

Mounting Group ITA Class III



55E			
REF	QTY	ITA III PART NO.	DESCRIPTION
		3001382	Upper Hook Group ▲
		211175	Lower Hook Group ★
1	2	219379	Upper Hook
2	6	678997	Capscrew, M16x70
3	2	7403	Grease Fitting
4	2	675969	Lower Hook
5	4	667910	Washer
6	4	211128	Capscrew, M16 x 30

▲ Includes items 1 & 2.

★ Includes items 4, 5, & 6.

Reference: SK-6116.

Do you have questions you need answered right now? Call your nearest Cascade Parts Department.

Cascade Corporation
2501 Sheridan Avenue
Springfield, OH 45505
Tel: 888-CASCADE (227-2233)
FAX: 888-329-0234
www.cascorp.com

Cascade Canada Inc.
5570 Timberlea Blvd.
Mississauga, Ontario
Canada L4W-4M6
Tel: 905-629-7777
FAX: 905-629-7785

Cascade GmbH
D-41199 Monchengladbach
Klosterhofweg 52
Germany
Tel: 21-66-602091
FAX: 21-66-680947

Cascade Finland
01370 Vantas
Finland
Tel: 358-0-836-1925
FAX: 358-0-836-1935

**Cascade N.V.
European Headquarters**
P.O. Box 3009
1300 El Almere
Damsluisweg 56
1332 ED Almere
The Netherlands
Tel: 31-36-5492911
FAX: 31-36-5492964

**Cascade N.V.
Benelux Sales and Service**
P.O. Box 3009
1300 El Almere
Damsluisweg 56
1332 ED Almere
The Netherlands
Tel: 31-36-5492950
FAX: 31-36-5492974

Cascade (UK) Ltd.
15, Orgreave Crescent
Dore House Industrial Estate
Handsworth
Sheffield S13 9NQ
England
Tel: 742-697524
FAX: 742-695121

**Cascade Scandinavia
Hydraulik A.B.**
Muskötgatan 19, E8-9
S25466 Helsingborg
Sweden
Tel: 42-151135
FAX: 42-152997

Cascade Norway
Østerliveien 37A
1153 Oslo
Norway
Tel: 47-22-743160
FAX: 47-22-743157

Cascade France S.A.R.L.
11, Rue Jean Charcot
Zone Industrielle Sud or
B.P. 22
91421 Morangis Cedex
France
Tel: 1- 64547501
FAX: 1-9790584

Cascade Hispania S.A.
Avenida De La Fabregada, 7
Hospitalet De Llobregat
Barcelona
Spain
Tel: 3-335-5158
FAX: 3-335-4756

Cascade Japan Ltd.
5-5-41,
Torikai Kami
Settsu, Osaka
Japan, 566
Tel: 81-726-53-3490
FAX: 81-726-53-3497

Cascade Korea
Room 508, Pum Yang Bldg.
750-14, Bang Bac-Dong
Se-Cho Ku, Seoul
Korea
Tel: 2599-7131 ext. 512
FAX: 2533-8089

HYCO-Cascade Pty. Ltd.
1445 Ipswich Road
Rocklea,
Queensland 4107
Australia
Tel: 3-274-2722
FAX: 3-274-3456

HYCO-Cascade (NZ) Ltd.
15 Ra Ora Drive, East Tamaki
P.O. Box 38-440
Howick, Auckland
New Zealand
Tel: 9-273-9136
FAX: 9-273-9137

Cascade (Africa) Pty. Ltd.
P.O. Box 625, Isando 1600
60A Steel Road
Sparton, Kempton Park
South Africa
Tel: 975-9240
FAX: 394-1147

Cascade-Xiamen
No. 668 Yangguang Rd.
Xinyang Industrial Zone
Haicang, Xiamen
Fujian Province
P.R. China 361026
Tel: 592-651-2500
FAX: 592-651-2571

**Cascade (Singapore)
Trading Co.**
Four Seasons Park
Autumn Block - Apt. 1802
12 Cascaden Walk
Singapore
Tel: 65-834-1935
FAX: 65-834-1936

